



US00D880229S

(12) **United States Design Patent** (10) **Patent No.:** **US D880,229 S**  
**Oliver** (45) **Date of Patent:** **\*\* \*Apr. 7, 2020**

(54) **MOLDED GLASS COVER**  
(71) Applicant: **Katherine H. Oliver**, St. Helena, CA (US)  
(72) Inventor: **Katherine H. Oliver**, St. Helena, CA (US)  
(\* ) Notice: This patent is subject to a terminal disclaimer.  
(\*\*) Term: **14 Years**  
(21) Appl. No.: **29/500,771**  
(22) Filed: **Aug. 28, 2014**  
(51) **LOC (12) Cl.** ..... **07-01**  
(52) **U.S. Cl.**  
USPC ..... **D7/396.2; D7/396.6**  
(58) **Field of Classification Search**  
USPC ..... D7/310, 312, 314, 315, 316, 317, 318, D7/319, 320, 591, 592, 598, 600, 622, D7/667, 668, 392, 392.1, 396.6, 503, 507, D7/509, 510, 511, 514, 515, 522, 513, D7/523, 533, 559, 535, 532, 403, 536, D7/396.2, 624.2; D9/500, 678, 669, 715, D9/719, 536, 528, 531, 534, 435, 440, D9/443; 215/380, 382, 398, 396; 220/495.03, 23, 494; 206/217; 229/400, 229/402, 404  
CPC ..... A47J 31/14; A47J 36/14; A47J 31/005; A47J 31/00; A47G 19/14; A47G 19/2272  
See application file for complete search history.

(56) **References Cited**  
U.S. PATENT DOCUMENTS  
D6,383 S \* 2/1873 Oesterling ..... D7/536  
D8,290 S \* 4/1875 Miller ..... D7/536  
D9,199 S \* 4/1876 King ..... D7/536  
D9,204 S \* 4/1876 Fowle ..... D7/514

D14,271 S \* 9/1883 Osthoff ..... D7/536  
909,237 A \* 1/1909 Scott ..... B60J 7/08 296/80  
1,276,018 A \* 8/1918 Blaetus ..... A47G 19/06 215/DIG. 5  
D57,273 S \* 3/1921 Sanford ..... D7/317  
D62,420 S \* 5/1923 Saunders ..... D7/536  
D64,883 S \* 6/1924 Algeo ..... D7/319  
D77,186 S \* 12/1928 Ryan ..... D7/317  
D89,525 S \* 3/1933 Ilgenfritz ..... D7/319  
D90,458 S \* 8/1933 Schiller ..... D7/536  
D100,852 S \* 8/1936 Cowan ..... D7/536  
D111,231 S \* 9/1938 Titze ..... D7/319  
D120,112 S \* 4/1940 Schmidt ..... D7/394  
D139,529 S \* 11/1944 Russell ..... D7/315  
2,876,634 A \* 3/1959 Zimmerman ..... A47G 19/2288 126/246  
2,895,636 A \* 7/1959 Martin ..... A47G 19/2288 215/12.1  
3,096,911 A \* 7/1963 Finch et al. .... 222/183  
3,135,118 A \* 6/1964 Zlobin ..... A47G 19/2227 116/137 R

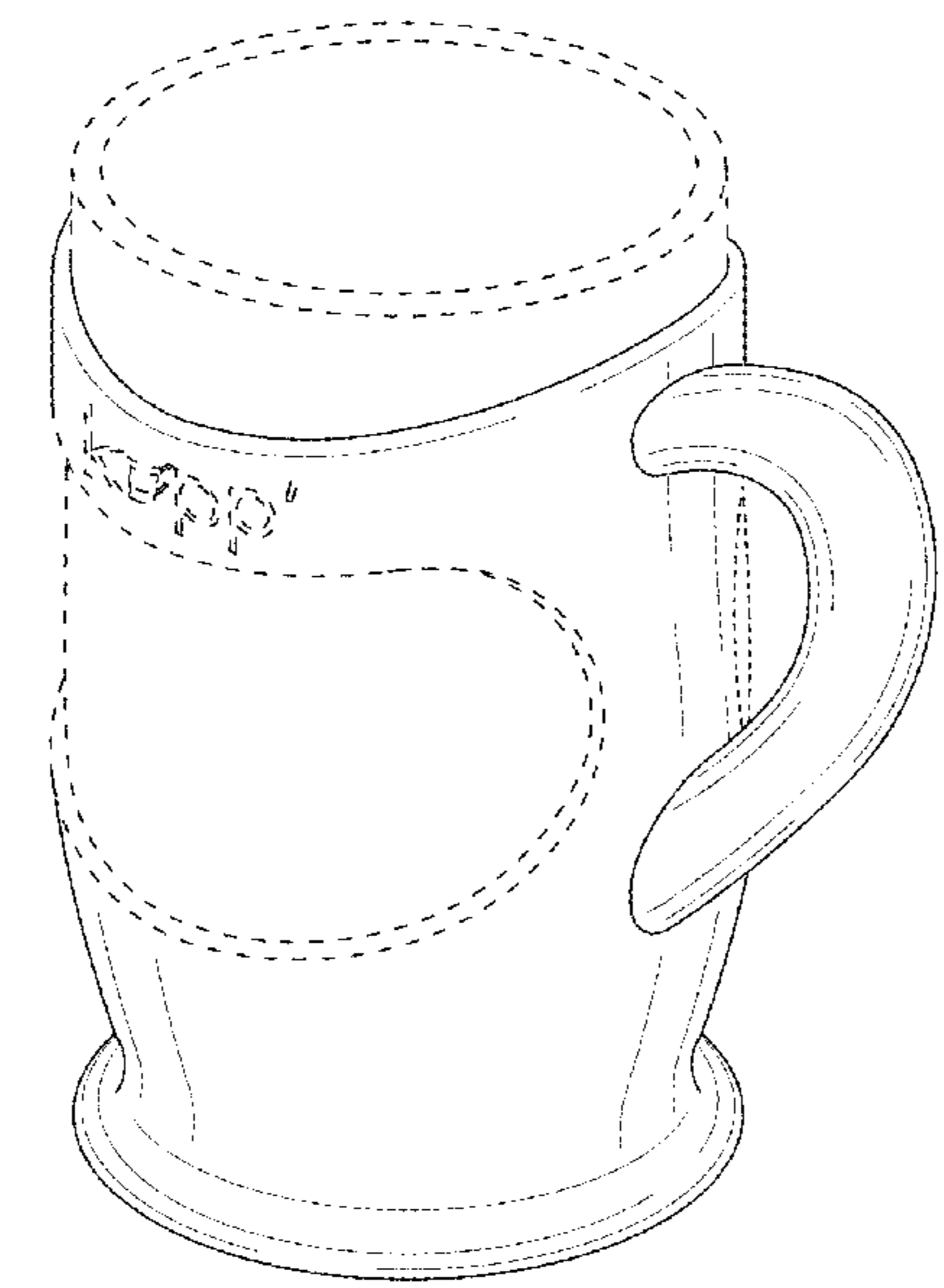
(Continued)

*Primary Examiner* — Jae Liang  
(74) *Attorney, Agent, or Firm* — James A. Italia; Italia IP

(57) **CLAIM**  
The ornamental design for a molded glass cover, as shown and described.

**DESCRIPTION**  
FIG. 1 is a perspective view of a molded glass cover showing my new design;  
FIG. 2 is a front view thereof;  
FIG. 3 is a rear view thereof;  
FIG. 4 is a right side view thereof;  
FIG. 5 is a left side view thereof;  
FIG. 6 is a top plan view thereof; and,  
FIG. 7 is a bottom plan view thereof.  
The broken lines in the drawings depict environmental subject matter only and form no part of the claimed design.

**1 Claim, 4 Drawing Sheets**



(56)

**References Cited**

U.S. PATENT DOCUMENTS

D199,041	S	*	9/1964	Kitterman	.....	D9/600
3,539,075	A	*	11/1970	Bautista	.....	222/531
D234,997	S	*	4/1975	Stampley	.....	D7/507
D248,205	S	*	6/1978	Schreckengost	.....	D7/319
D283,385	S	*	4/1986	Mansueto	.....	D7/513
D293,290	S	*	12/1987	Kim	.....	D7/303
D324,625	S	*	3/1992	Mayers	.....	D7/510
D450,522	S	*	11/2001	Chen	.....	D7/319
D457,396	S	*	5/2002	Janky et al.	.....	D7/510
D479,780	S	*	9/2003	Passot	.....	D7/312
D501,354	S	*	2/2005	Graves et al.	.....	D7/316
D524,602	S	*	7/2006	Arduini	.....	D7/536
D589,292	S	*	3/2009	Thurlow et al.	.....	D7/321
D661,948	S	*	6/2012	Bangert	.....	A47G 19/2205
						D7/535
D742,696	S	*	11/2015	Saari	.....	D7/536

\* cited by examiner

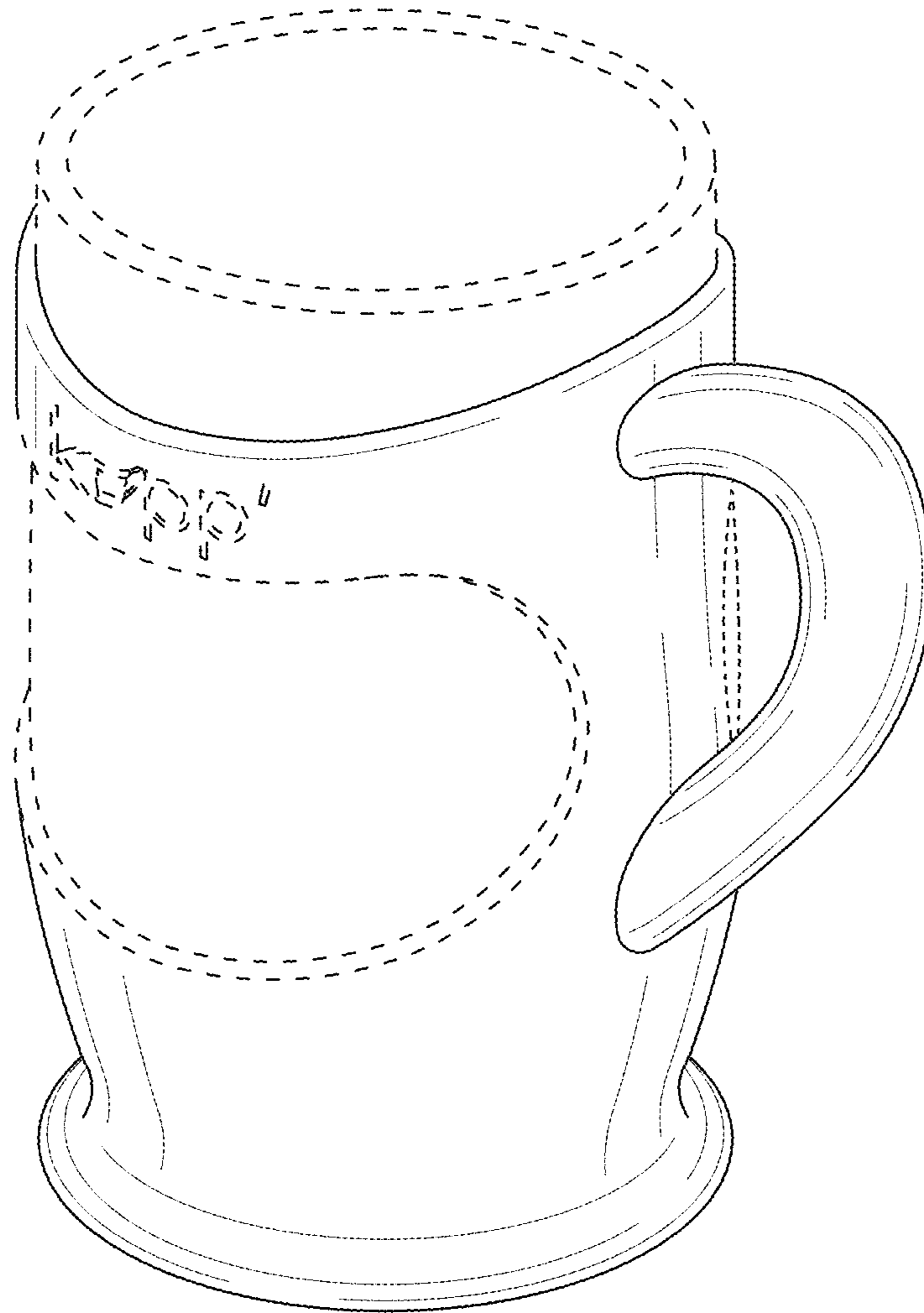


FIG. 1

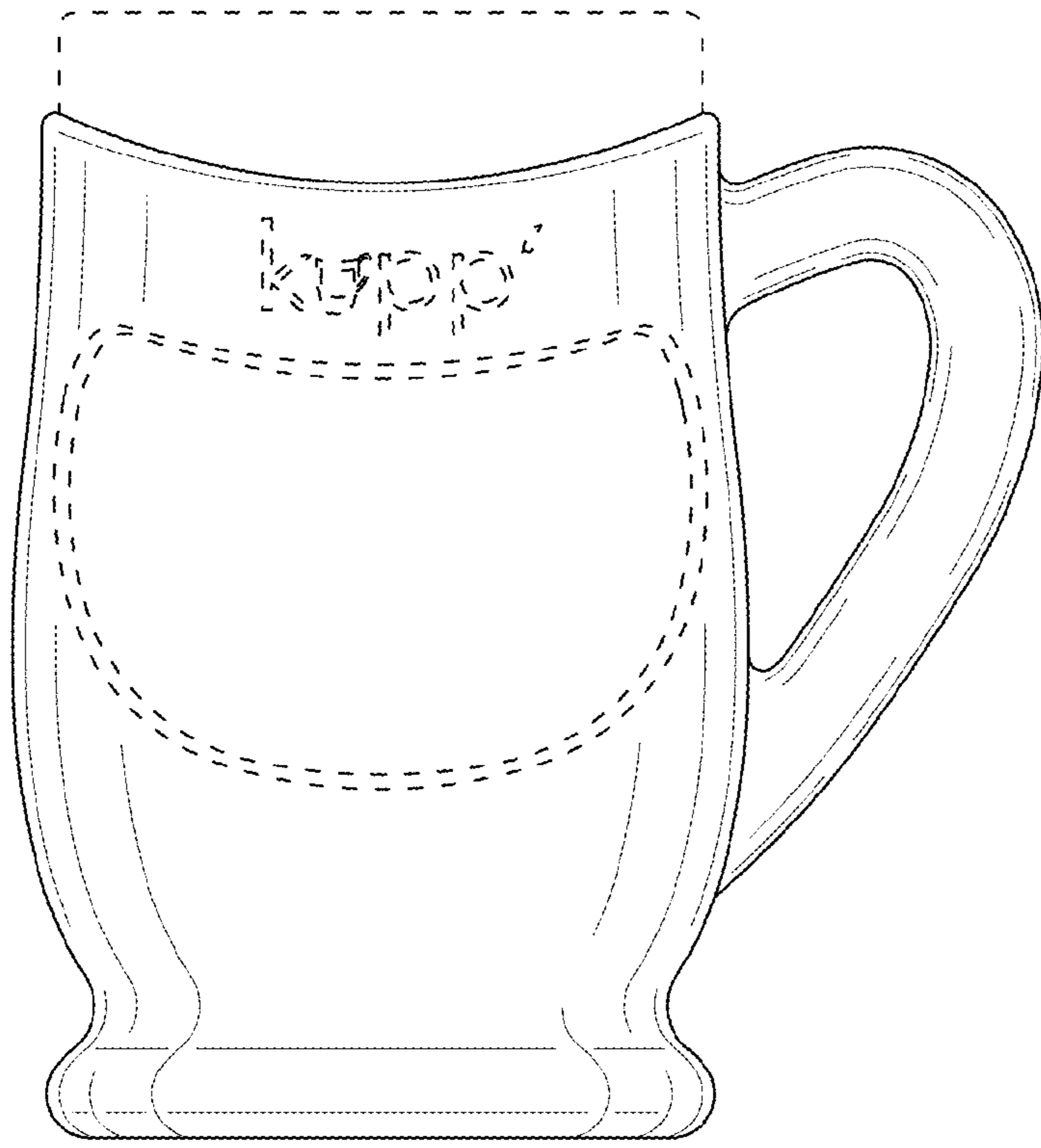


FIG. 2

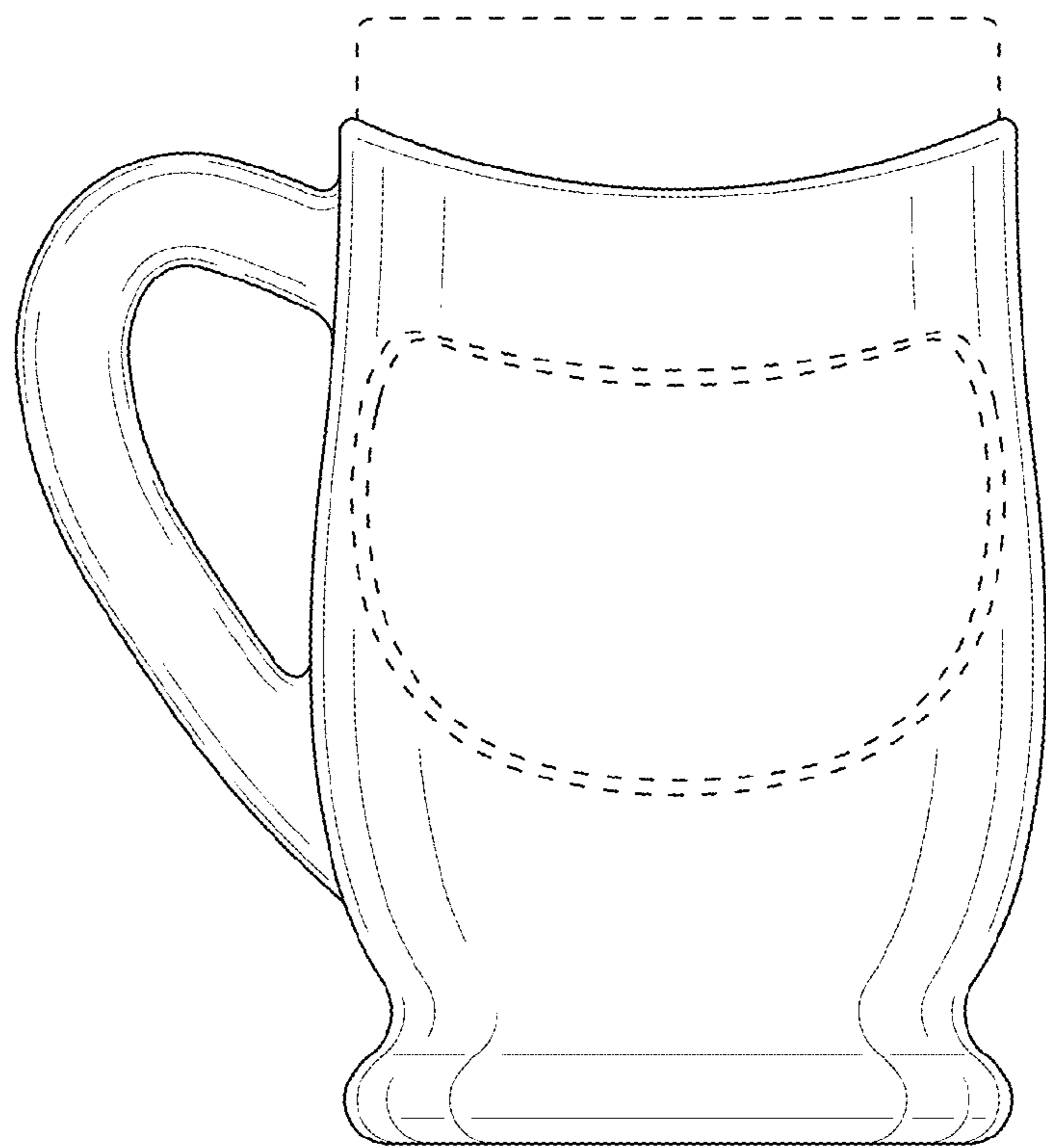


FIG. 3

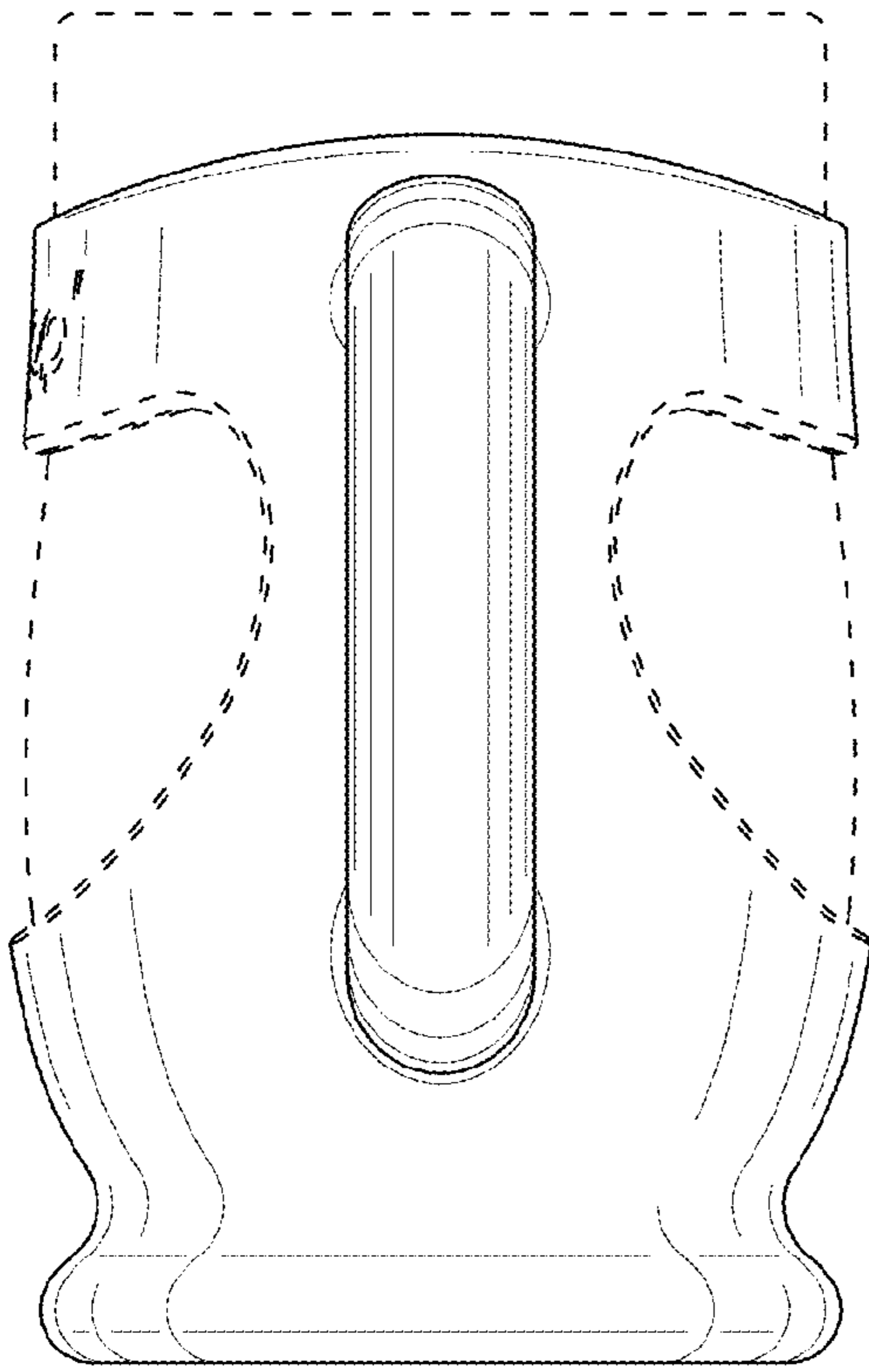


FIG. 4

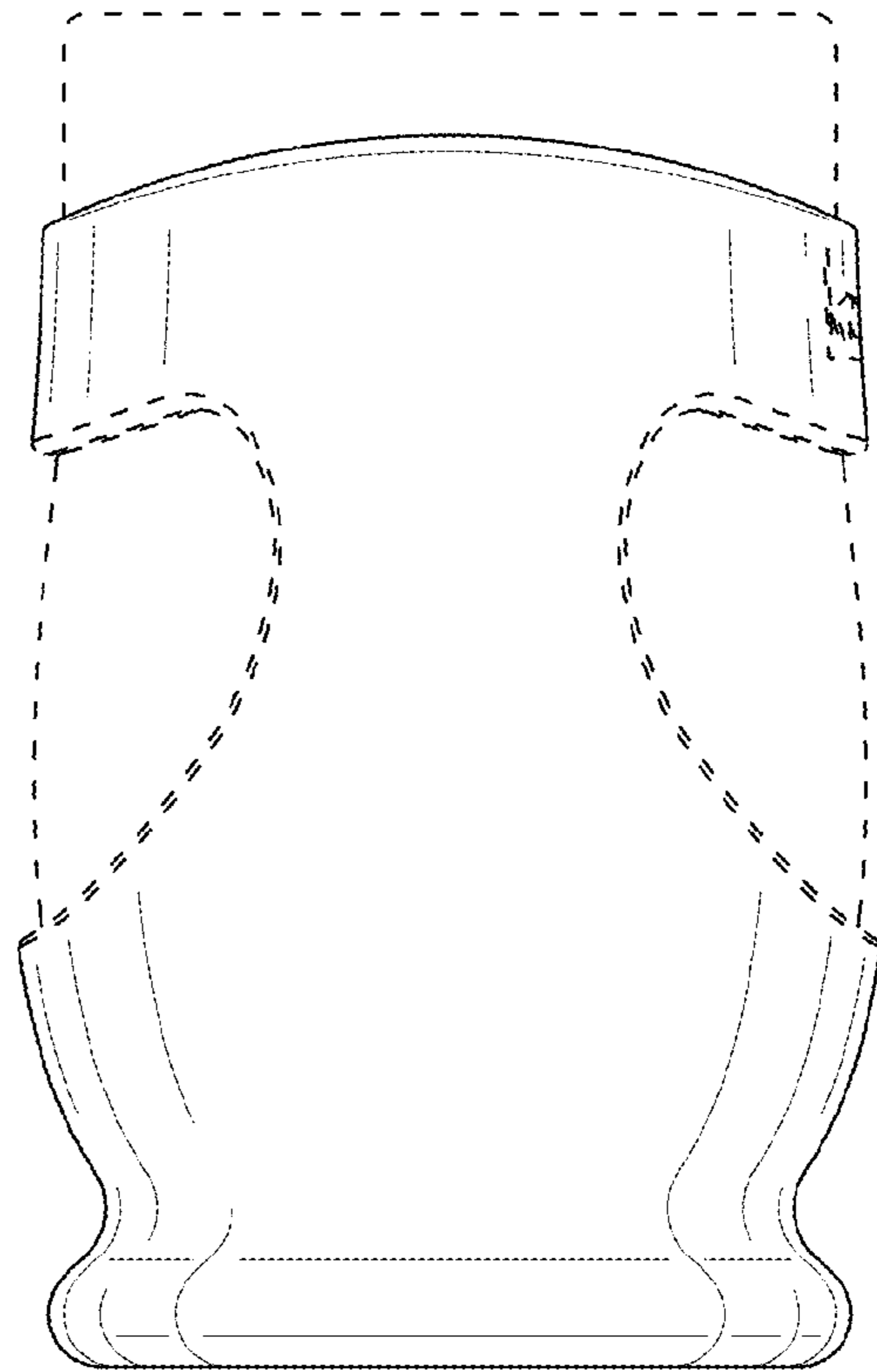


FIG. 5

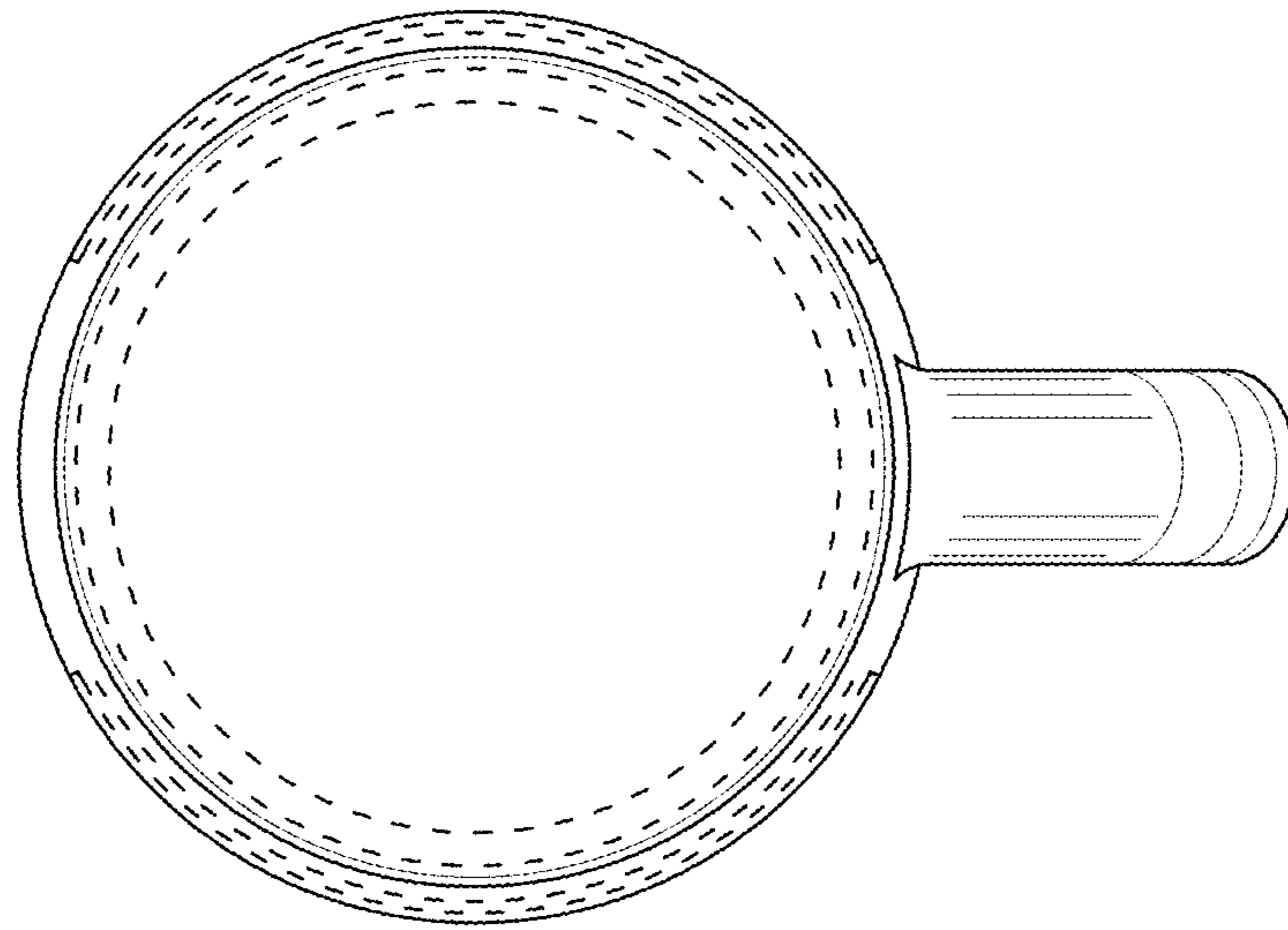


FIG. 6

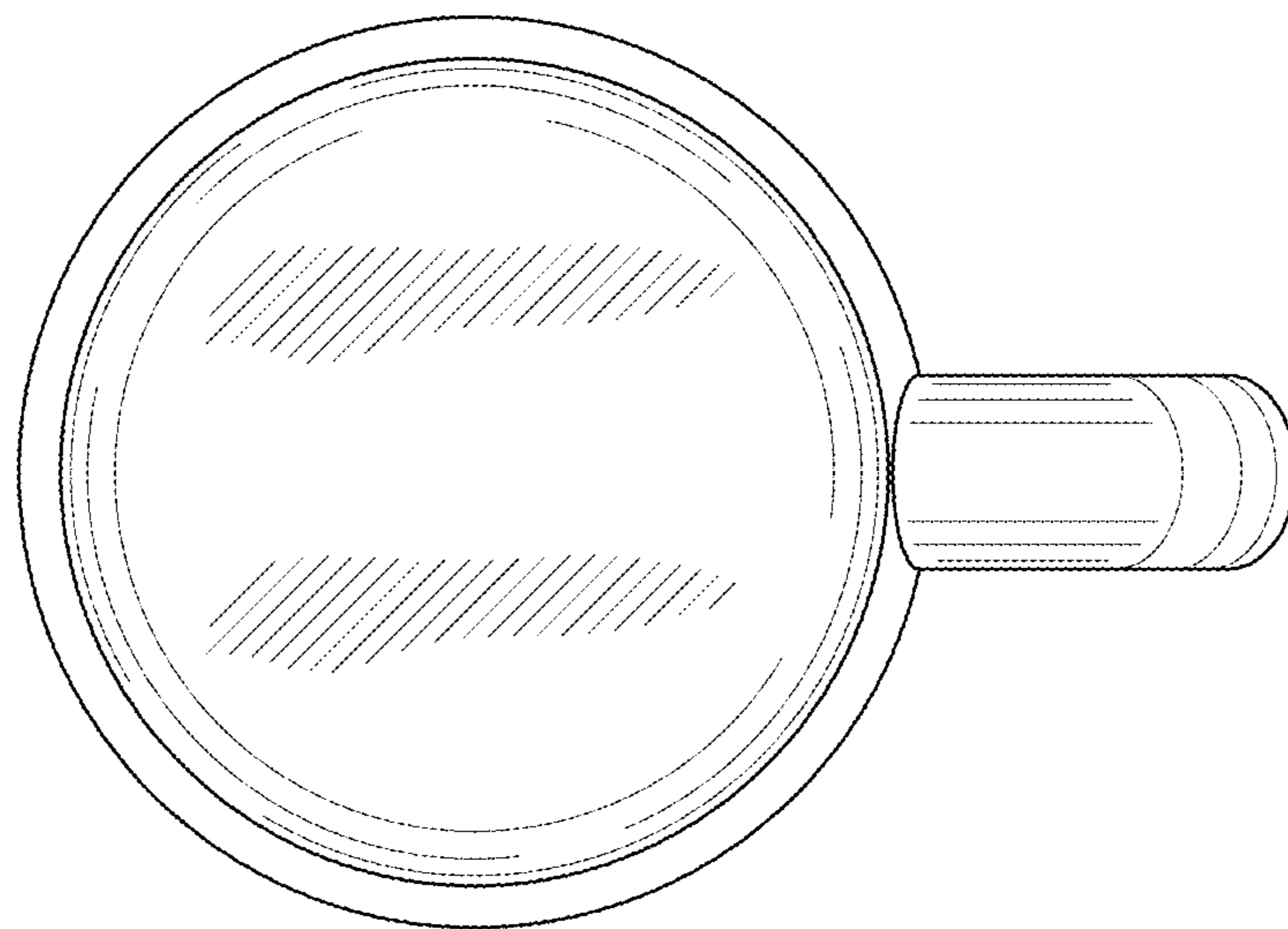


FIG. 7