



US00D880228S

(12) **United States Design Patent**
Kern

(10) **Patent No.:** **US D880,228 S**
(45) **Date of Patent:** **** Apr. 7, 2020**

(54) **HANDLE FOR BARWARE**

(71) Applicant: **Target Brands, Inc.**, Minneapolis, MN (US)

(72) Inventor: **Elizabeth Caroline Kern**, Minneapolis, MN (US)

(73) Assignee: **Target Brands, Inc.**, Minneapolis, MN (US)

(**) Term: **15 Years**

(21) Appl. No.: **29/631,074**

(22) Filed: **Dec. 27, 2017**

(51) **LOC (12) Cl.** **07-04**

(52) **U.S. Cl.**
USPC **D7/395**

(58) **Field of Classification Search**
USPC D7/680-696, 642-664, 393, 395, 401.2;
D8/107, 300, 301, 307; D4/138
CPC A47J 45/06; A47J 45/061; A47J 45/07;
A47J 45/071; A47J 45/08; A47J 45/10;
A47J 17/02; A45C 13/26; A45C 13/22;
A01F 5/00

See application file for complete search history.

(56) **References Cited**

U.S. PATENT DOCUMENTS

D22,768 S	9/1893	Dungan
1,287,901 A	12/1918	Custer
D156,879 S	1/1950	Grundstrom
D210,318 S	2/1968	Wallance
D380,345 S	7/1997	Lu
D403,204 S	12/1998	Kwok
D408,219 S	4/1999	Lai
D410,362 S	6/1999	Lai

(Continued)

Primary Examiner — Terry A Wallace

(74) *Attorney, Agent, or Firm* — Merchant & Gould P.C.

(57) **CLAIM**

The ornamental design for a handle for barware, as shown and described.

DESCRIPTION

FIG. 1 is a perspective view of a handle for barware showing an embodiment of a new design;

FIG. 2 is a top view of the handle for barware of FIG. 1; FIG. 3 is a bottom view of the handle for barware of FIG. 1;

FIG. 4 is a front view of the handle for barware of FIG. 1; FIG. 5 is a rear view of the handle for barware of FIG. 1;

FIG. 6 is a side view of the handle for barware of FIG. 1; FIG. 7 is a perspective view of an handle for barware showing an embodiment of a new design;

FIG. 8 is a top view of the handle for barware of FIG. 7; FIG. 9 is a bottom view of the handle for barware of FIG. 7;

FIG. 10 is a front view of the handle for barware of FIG. 7; FIG. 11 is a rear view of the handle for barware of FIG. 7;

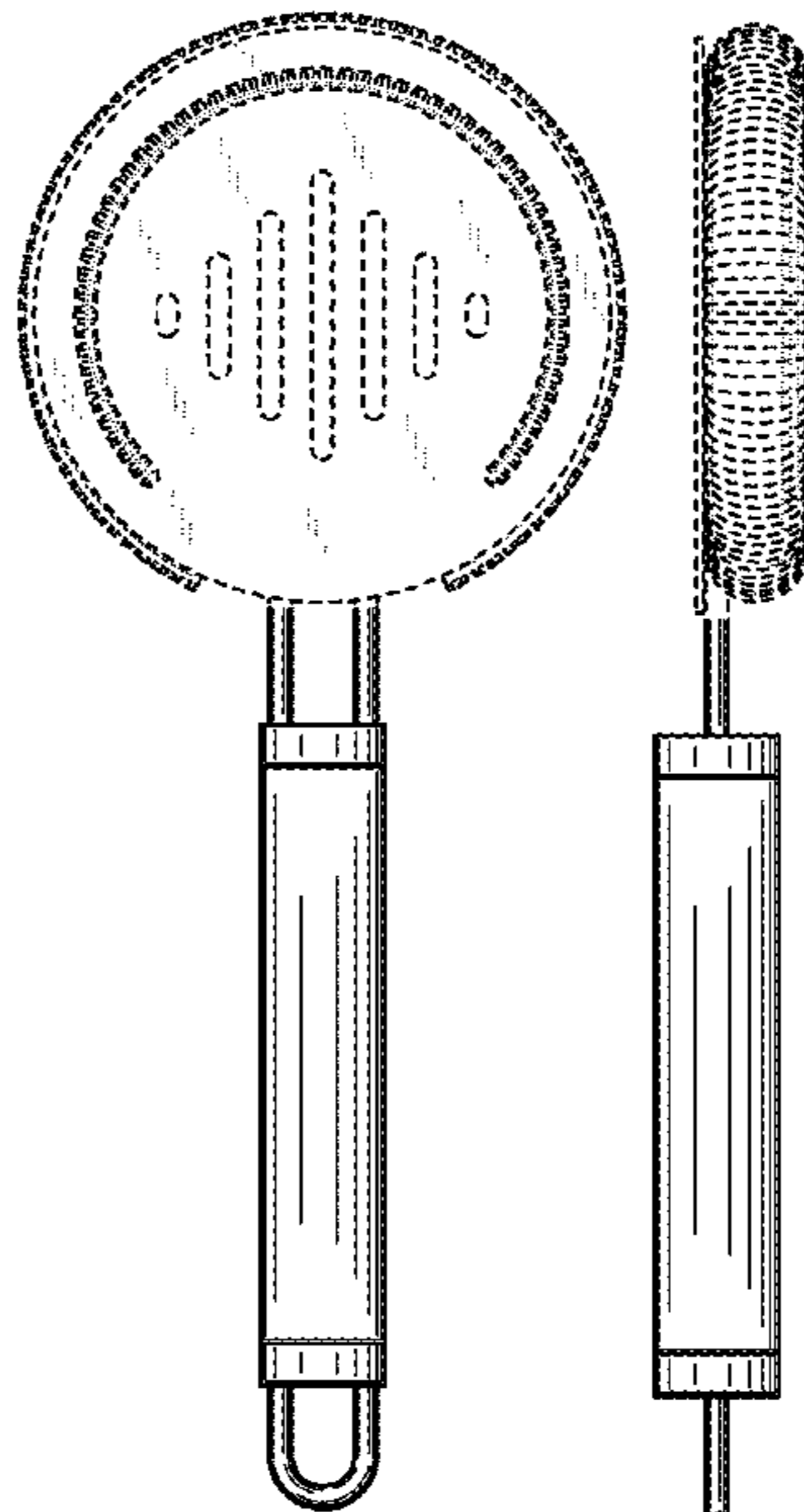
FIG. 12 is a side view of the handle for barware of FIG. 7; FIG. 13 is a perspective view of an handle for barware showing an embodiment of a new design;

FIG. 14 is a top view of the handle for barware of FIG. 13; FIG. 15 is a bottom view of the handle for barware of FIG. 13;

FIG. 16 is a front view of the handle for barware of FIG. 13; FIG. 17 is a rear view of the handle for barware of FIG. 13; and,

FIG. 18 is a side view of the handle for barware of FIG. 13. The broken lines are for illustrative purposes only and form no part of the claimed design.

1 Claim, 6 Drawing Sheets



(56)

References Cited

U.S. PATENT DOCUMENTS

D411,410 S 6/1999 Pedrini
 D416,439 S * 11/1999 Kwok D7/395
 D419,400 S 1/2000 Martinez
 D422,191 S 4/2000 Usbeck
 D424,869 S * 5/2000 Chau D7/395
 D431,753 S 10/2000 Cohen et al.
 D433,873 S 11/2000 Yu
 6,234,662 B1 5/2001 Blake
 D445,316 S * 7/2001 Borner D7/690
 D447,385 S 9/2001 Saunders et al.
 D455,606 S * 4/2002 Lee D7/395
 D458,802 S 6/2002 Richied et al.
 D459,148 S 6/2002 Richied et al.
 D459,149 S 6/2002 Richied et al.
 D459,161 S 6/2002 Rowe et al.
 D459,943 S 7/2002 Richied et al.
 D460,318 S 7/2002 Richied et al.
 D464,528 S 10/2002 Yu
 D468,156 S 1/2003 Yu
 D468,220 S 1/2003 Harris

D477,498 S 7/2003 Rowe
 D490,270 S 5/2004 Pippel et al.
 D492,165 S * 6/2004 Cheung D7/690
 D496,217 S * 9/2004 Sun D7/395
 D503,071 S 3/2005 Lu
 6,866,511 B1 3/2005 Harris et al.
 D504,797 S 5/2005 Lu
 D527,959 S * 9/2006 Fung D7/690
 D561,526 S 2/2008 Bunting et al.
 D593,794 S 6/2009 Rae
 D624,264 S 9/2010 Li
 7,827,696 B2 * 11/2010 Settele A47J 17/02
 30/121.5
 D630,888 S 1/2011 Bodum
 D632,142 S 2/2011 Lu
 D650,219 S * 12/2011 Lu D7/401.2
 D663,159 S 7/2012 Zemel
 8,631,722 B1 1/2014 Davis
 D699,070 S 2/2014 Rae
 D727,701 S 4/2015 Goldy et al.
 D795,638 S 8/2017 Barberi
 D803,014 S 11/2017 Boehm
 2013/0160213 A1 6/2013 Salles

* cited by examiner

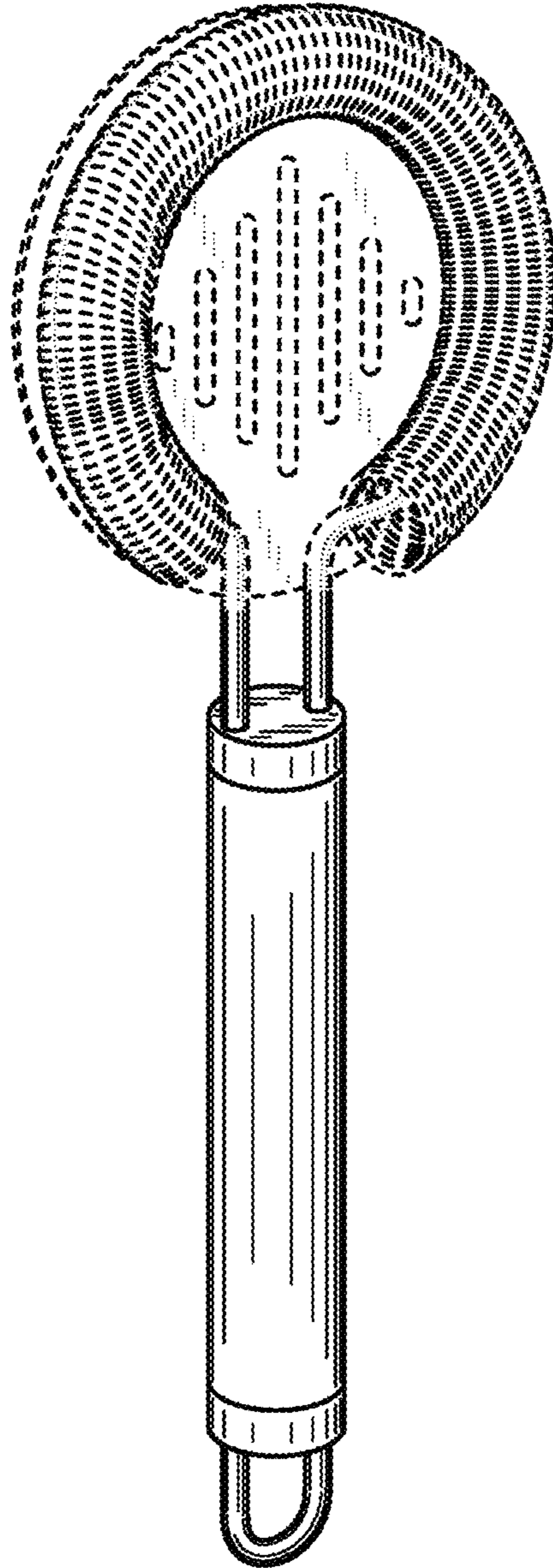


Fig. 1

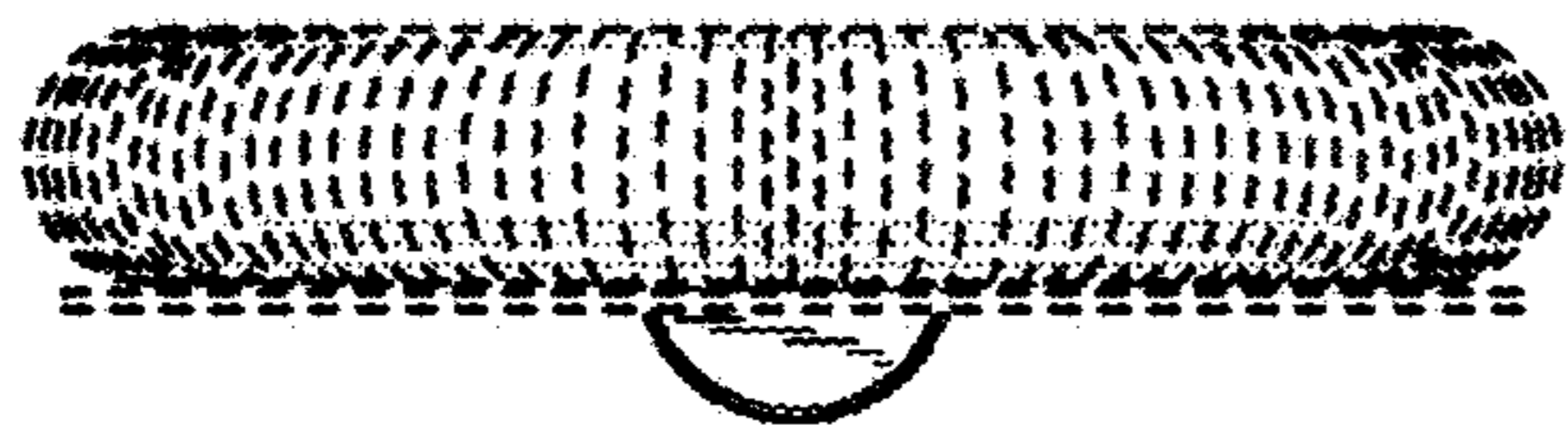


Fig. 2

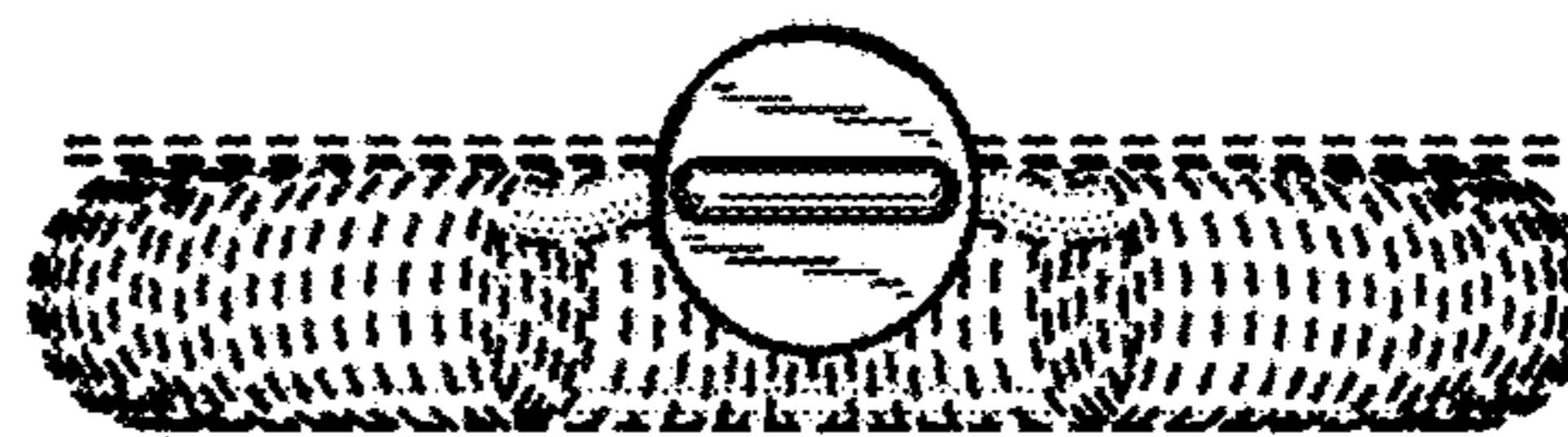


Fig. 3

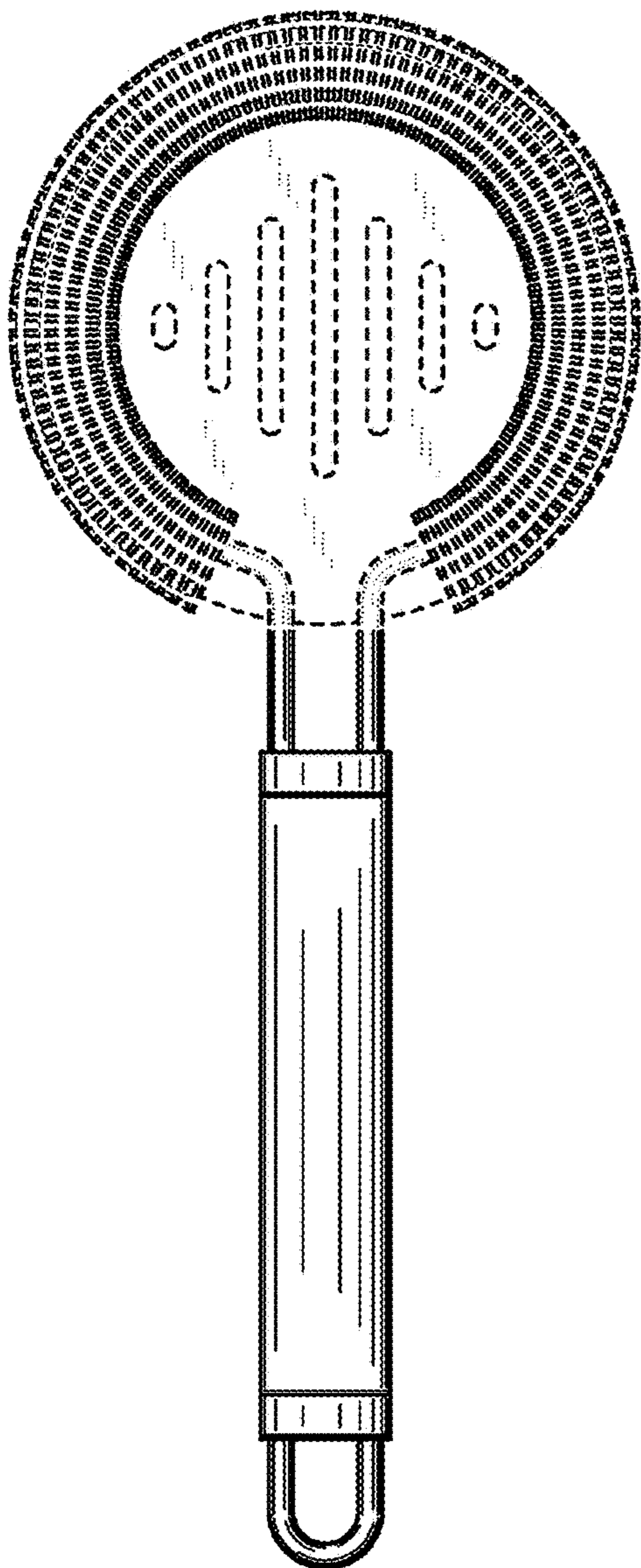


Fig. 4

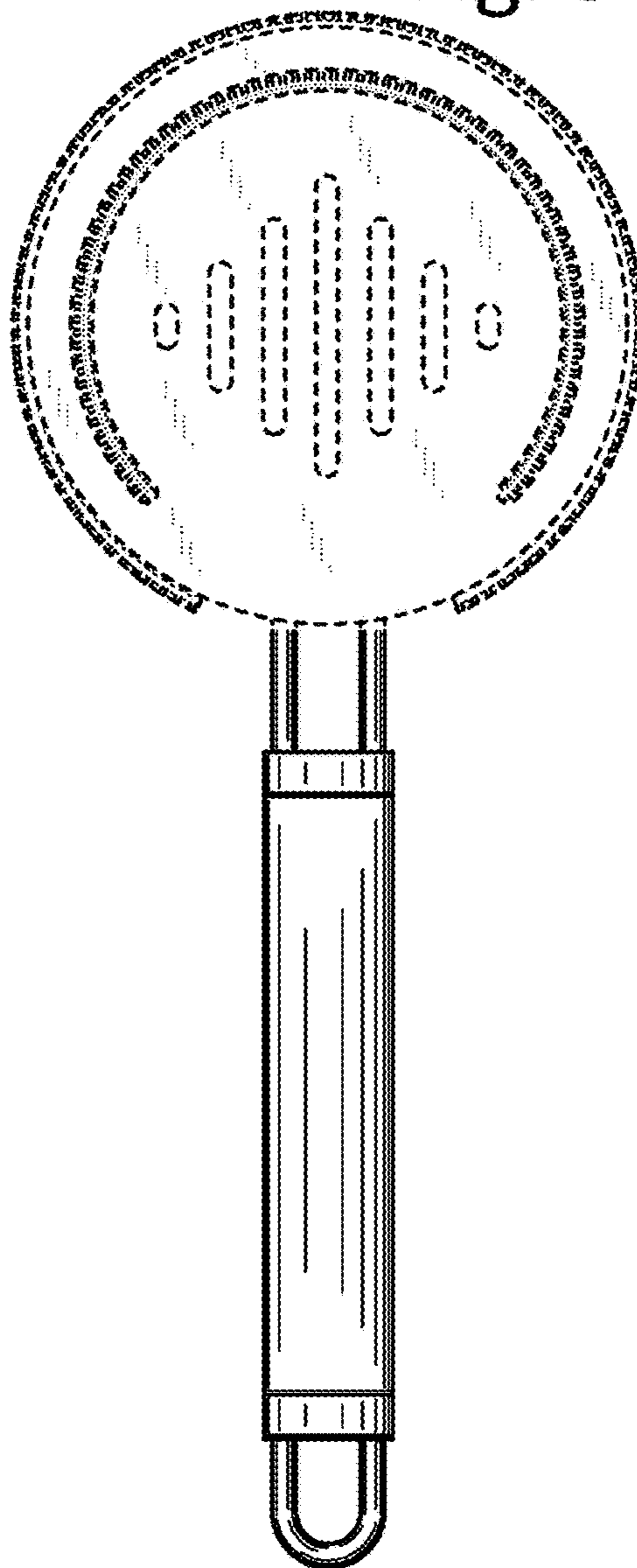


Fig. 5

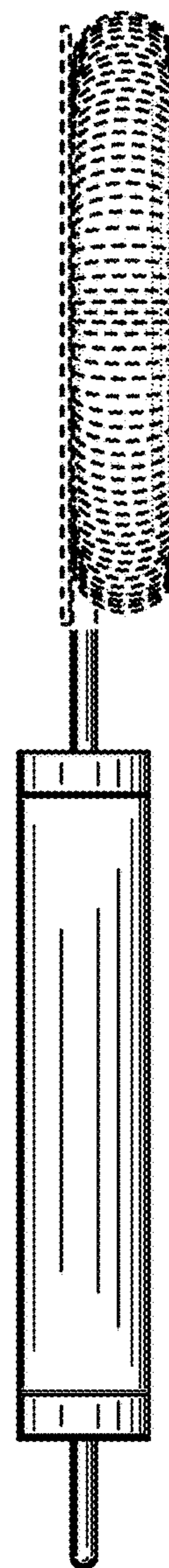


Fig. 6

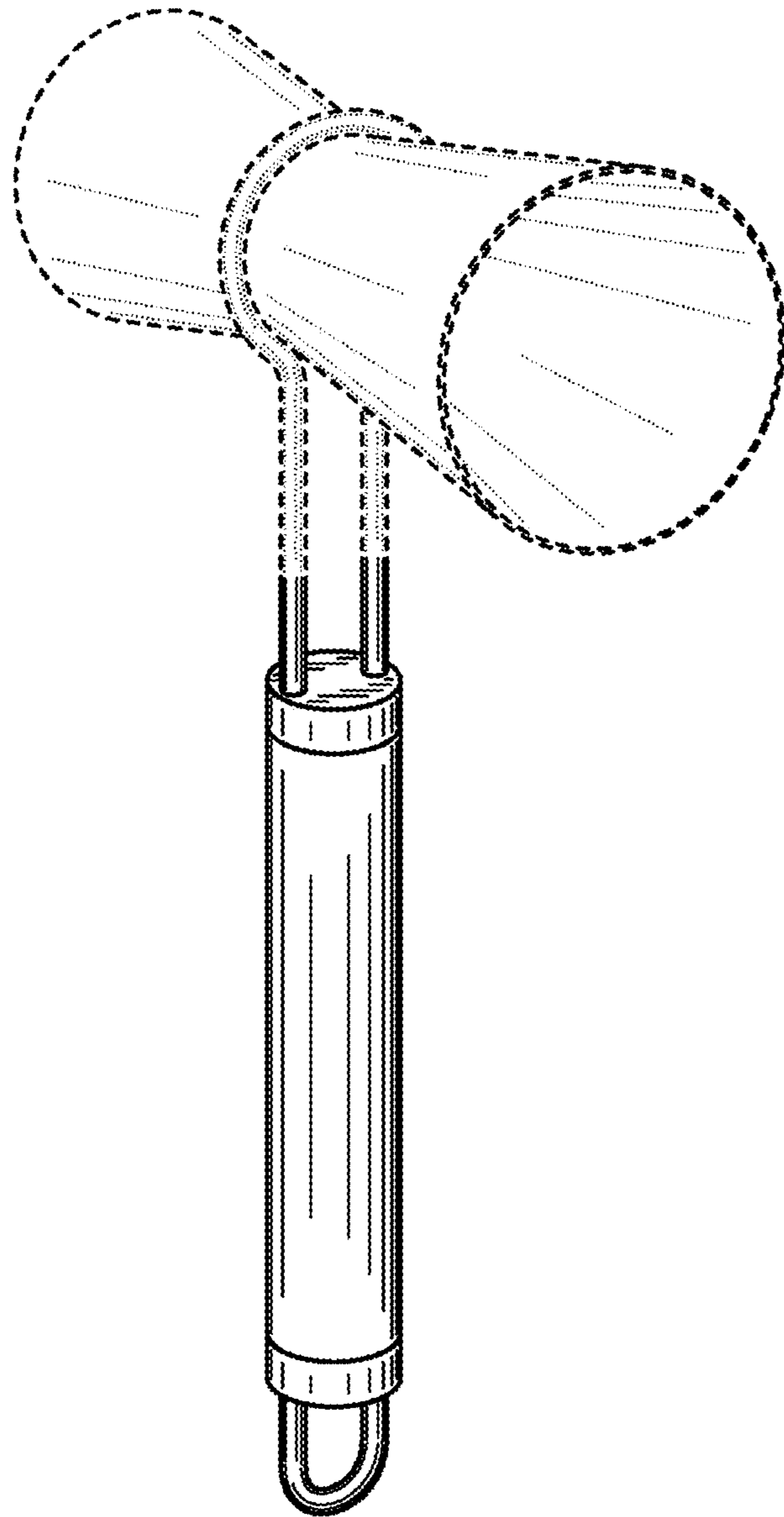


Fig. 7

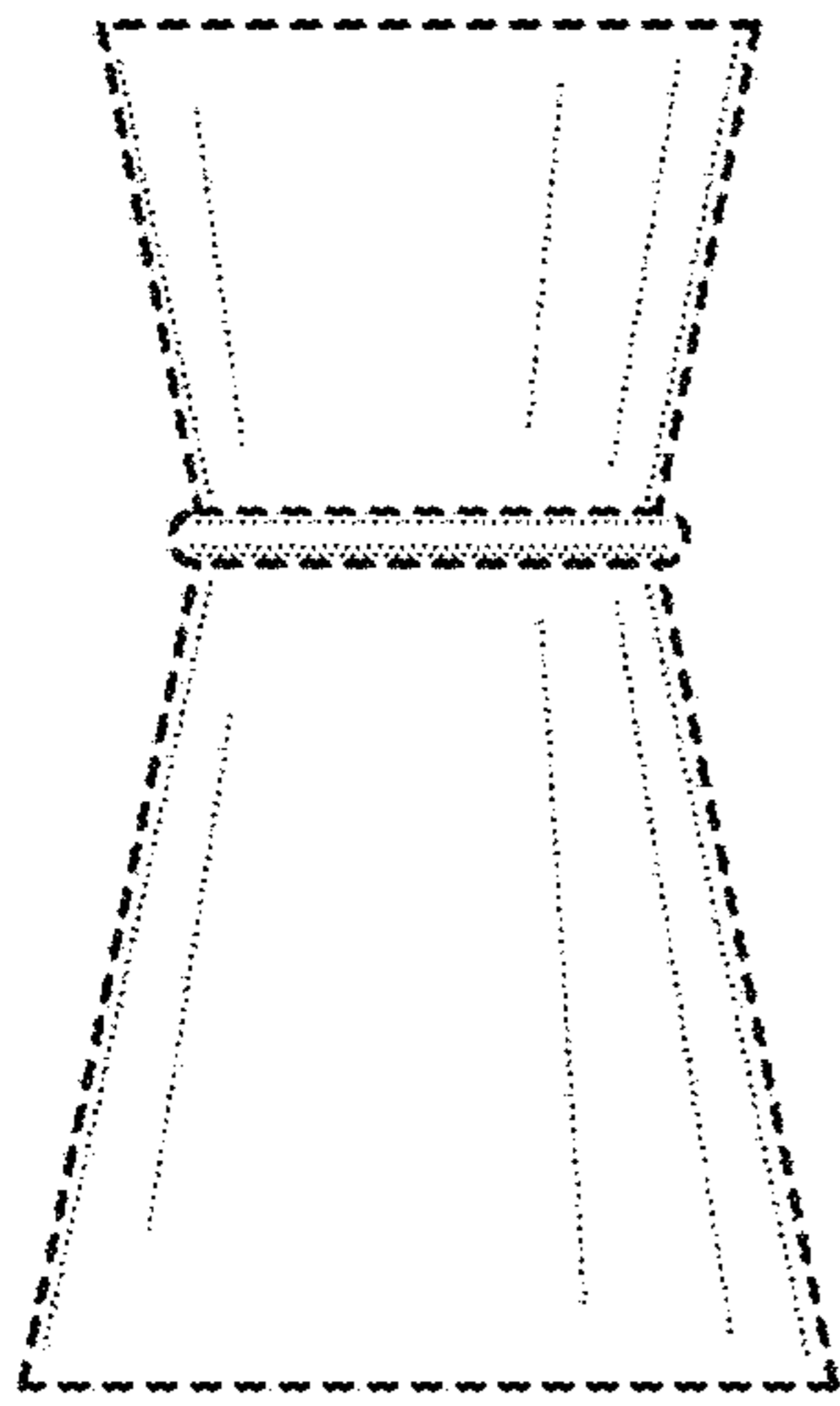


Fig. 8

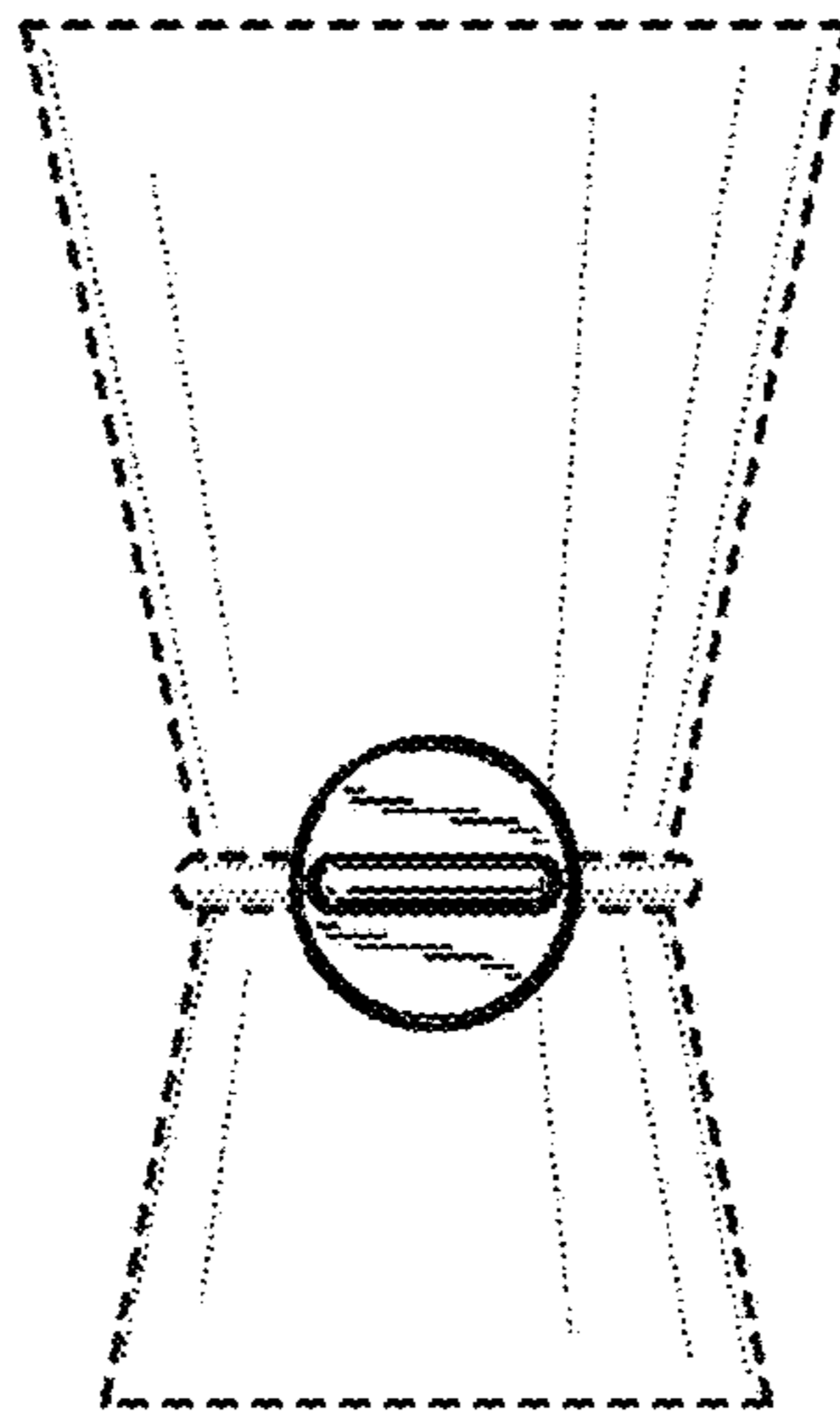


Fig. 9

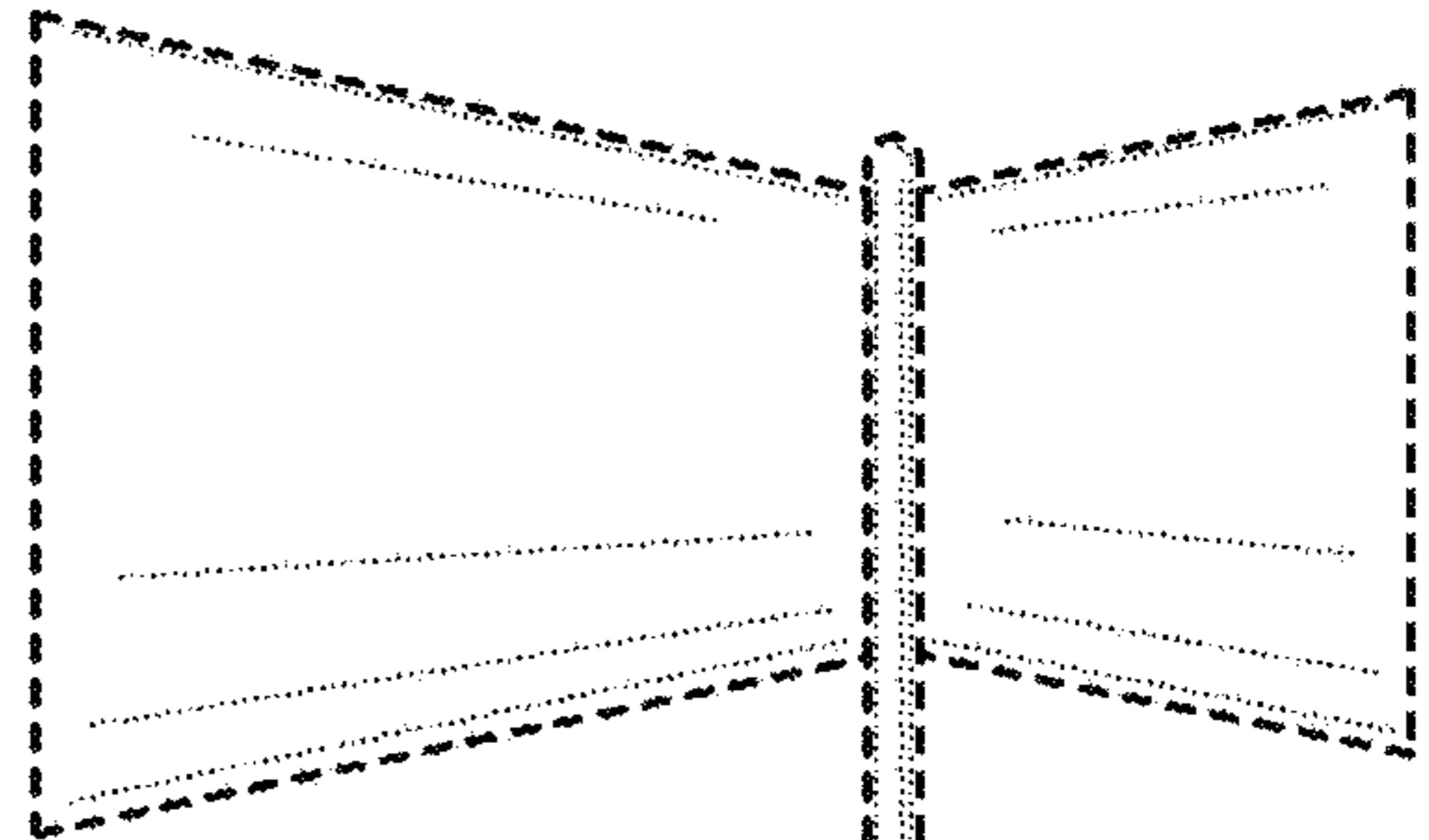


Fig. 12

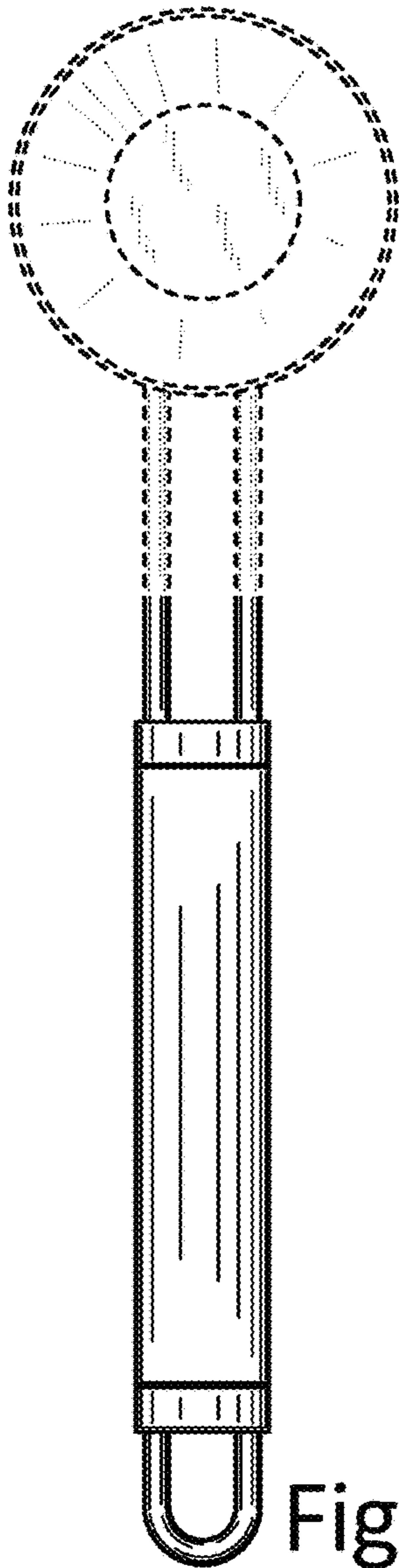


Fig. 10

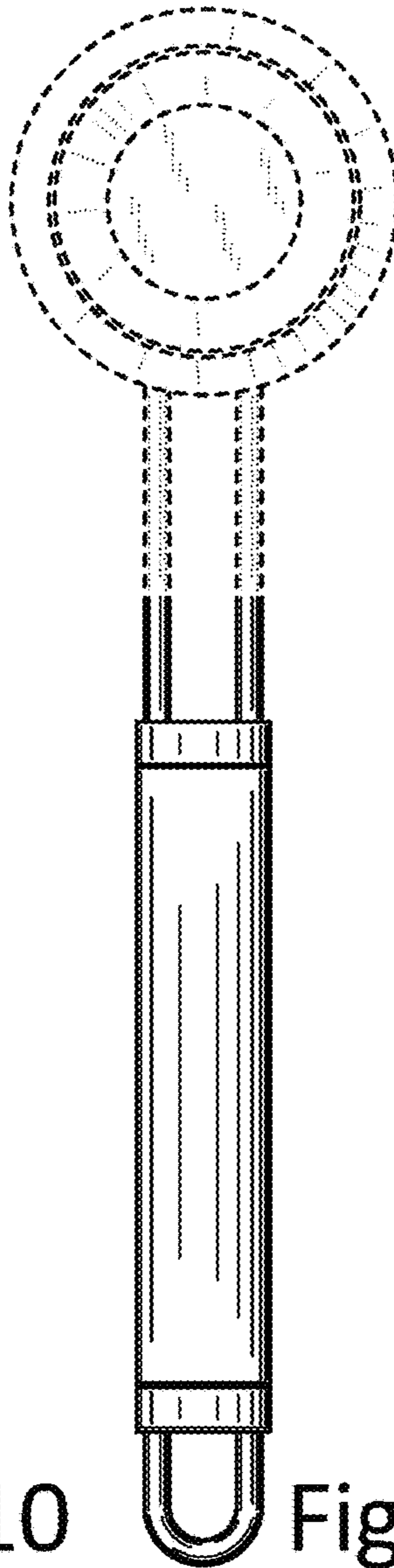


Fig. 11

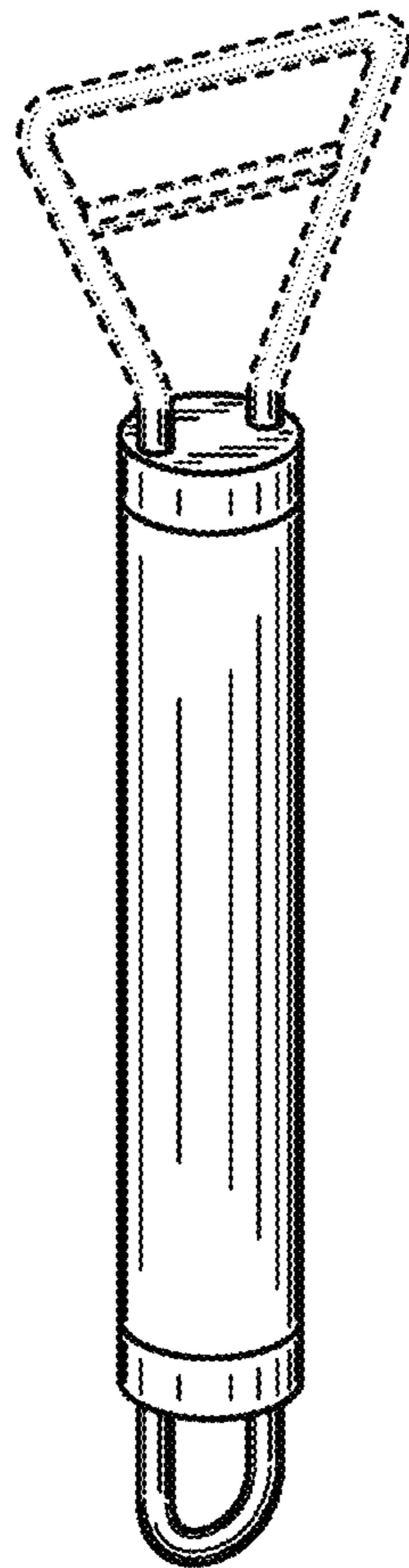


Fig. 13



Fig. 14



Fig. 15

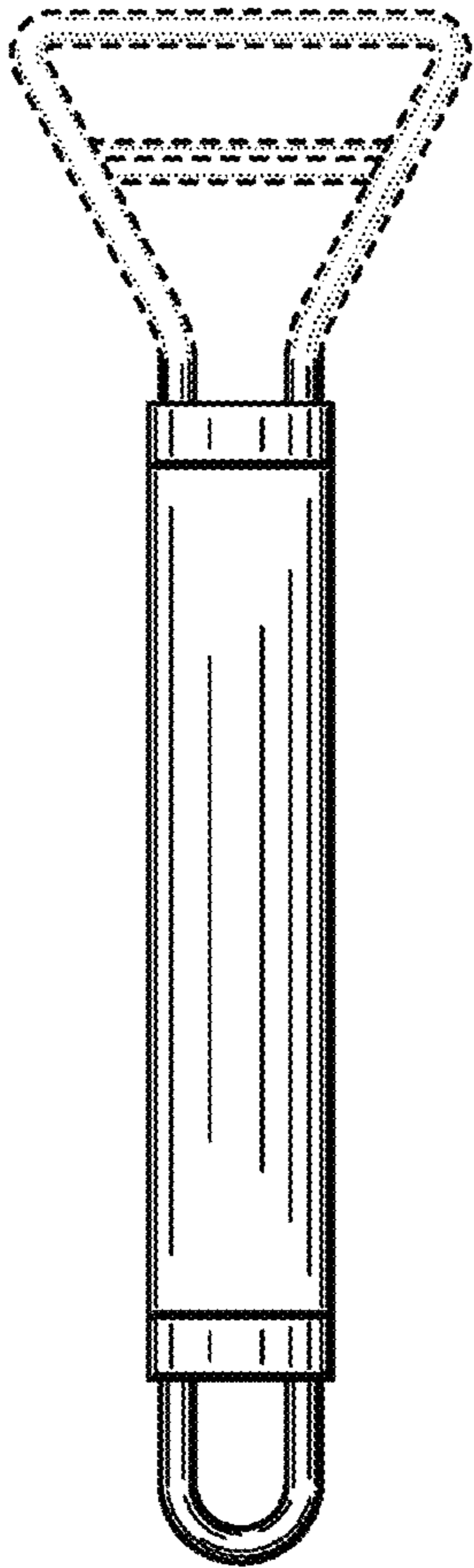


Fig. 16

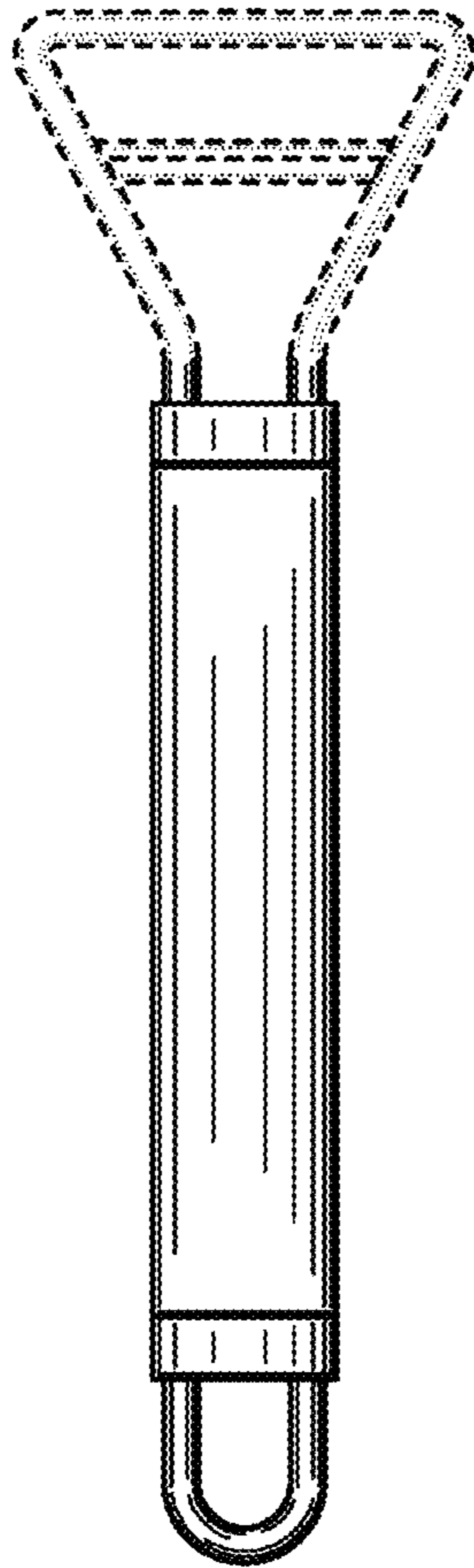


Fig. 17

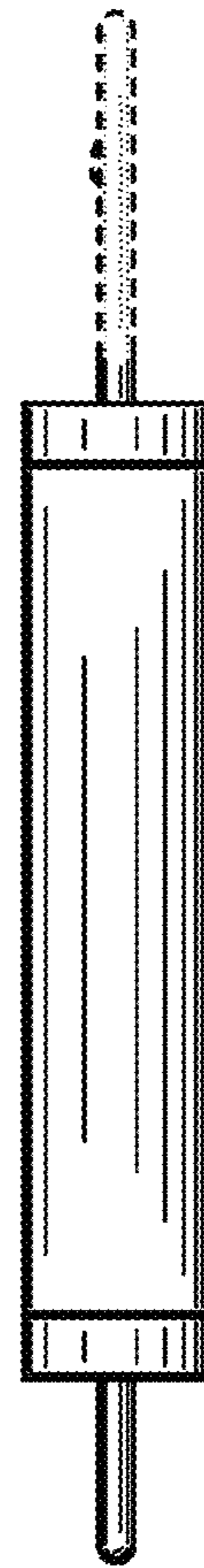


Fig. 18