



US00D880225S

(12) **United States Design Patent**
Peng

(10) **Patent No.:** **US D880,225 S**

(45) **Date of Patent:** **** Apr. 7, 2020**

(54) **CUP LID**

(71) Applicant: **SHENZHEN KEAN SILICONE PRODUCT CO., LTD**, Shenzhen (CN)

(72) Inventor: **Pandian Peng**, Shenzhen (CN)

(73) Assignee: **SHENZHEN KEAN SILICONE PRODUCT CO., LTD**, Shenzhen (CN)

(**) Term: **15 Years**

(21) Appl. No.: **29/673,731**

(22) Filed: **Dec. 18, 2018**

(30) **Foreign Application Priority Data**

Jun. 22, 2018 (CN) 2018 3 0323935

(51) **LOC (12) Cl.** **07-01**

(52) **U.S. Cl.**
USPC **D7/392.1**

(58) **Field of Classification Search**
USPC D7/391, 392, 392.1, 397, 510, 511, 542,
D7/543, 602, 605, 629; D9/435, 443,
D9/447, 449, 454
CPC B65D 43/0225
See application file for complete search history.

(56) **References Cited**

U.S. PATENT DOCUMENTS

D418,364 S *	1/2000	Demore	D7/392
D682,016 S *	5/2013	Knight	D9/443
D702,489 S *	4/2014	Steel	D9/449
D747,624 S *	1/2016	Walker	D7/510
D752,381 S *	3/2016	Wahl	D7/392.1
D752,382 S *	3/2016	Ksiazek	D9/449
D755,562 S *	5/2016	Lindsay	D7/392.1
D820,038 S *	6/2018	Sorensen	D9/449
D826,631 S *	8/2018	Baron	D7/392.1
D854,880 S *	7/2019	Meyers	D7/392.1
D869,230 S *	12/2019	Hao	D7/392.1
2019/0112112 A1 *	4/2019	Choltco-Devlin
				B65D 43/0225

OTHER PUBLICATIONS

“Kean Travel Collapsible Coffee Cup”. Found online Feb. 7, 2020 at youtube.com. Reference dated Jan. 8, 2019. Retrieved from https://www.youtube.com/watch?v=xUXZBGUispE&feature=youtu.be&a=.*

“reCAP Mason Jars Pour Cap”. Found online Aug. 18, 2015 at amazon.com. Reference dated Mar. 26, 2013. Retrieved from http://www.amazon.com/reCAP-Mason-Jars-Pour-Cap/dp/B00AYPU4UM/ref=cm_cr_pr_product_top?ie=UTF8.*

“BlenderBottle Classic Shaker Bottle”. Found online Oct. 26, 2016 at amazon.com. Reference dated Jul. 19, 2004. Retrieved from https://www.amazon.com/BlenderBottle-Classic-Shaker-Bottle-28-ounce/dp/B0018G4ZEW.*

* cited by examiner

Primary Examiner — Kendra Leslie Hamilton

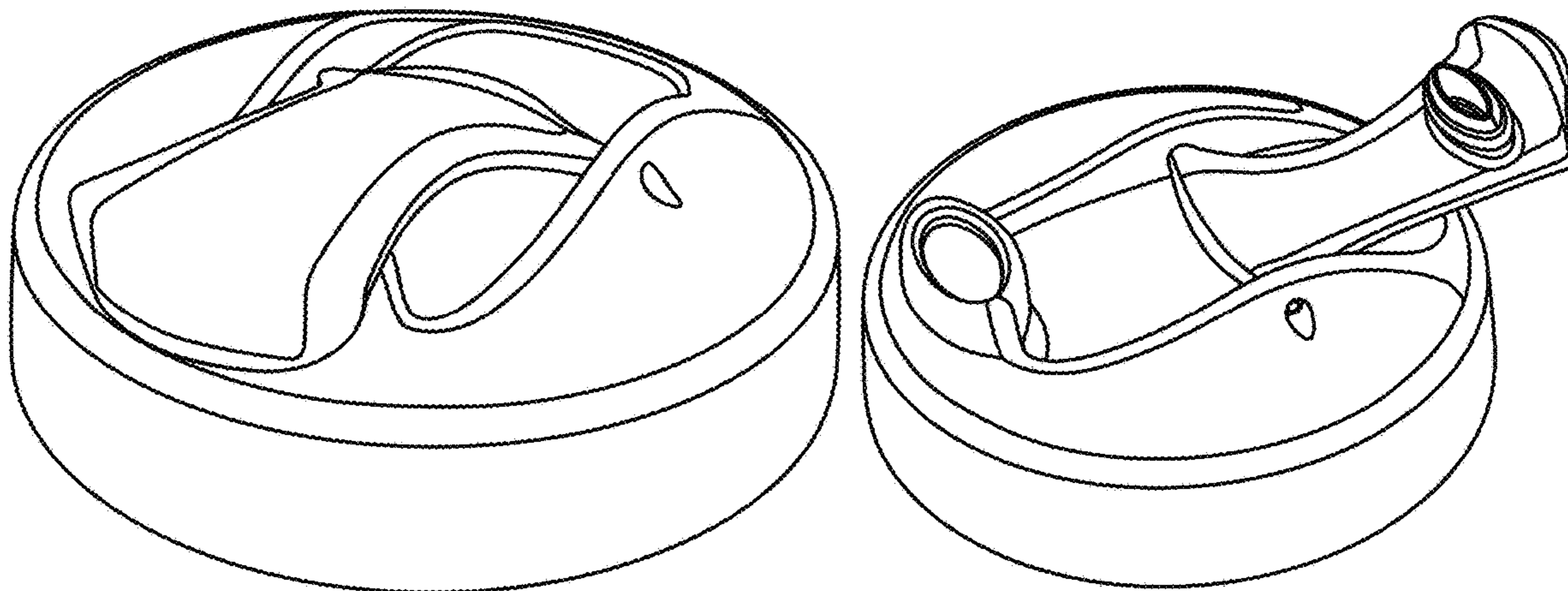
(57) **CLAIM**

The ornamental design for a cup lid, as shown and described.

DESCRIPTION

FIG. 1 is a top perspective view of a cup lid showing my new design;
FIG. 2 is another top perspective view thereof;
FIG. 3 is a bottom perspective view thereof;
FIG. 4 is a front elevational view thereof;
FIG. 5 is a rear elevational view thereof;
FIG. 6 is a left side elevational view thereof;
FIG. 7 is a right side elevational view thereof;
FIG. 8 is a top plan view thereof;
FIG. 9 is a bottom plan view thereof;
FIG. 10 is a top perspective view of the cup lid of FIG. 1, shown in an alternate configuration of use for clarity of disclosure; and,
FIG. 11 is a longitudinal cross-sectional elevation view of the cup lid of FIG. 1, taken from the top plan view of FIG. 8.

1 Claim, 9 Drawing Sheets



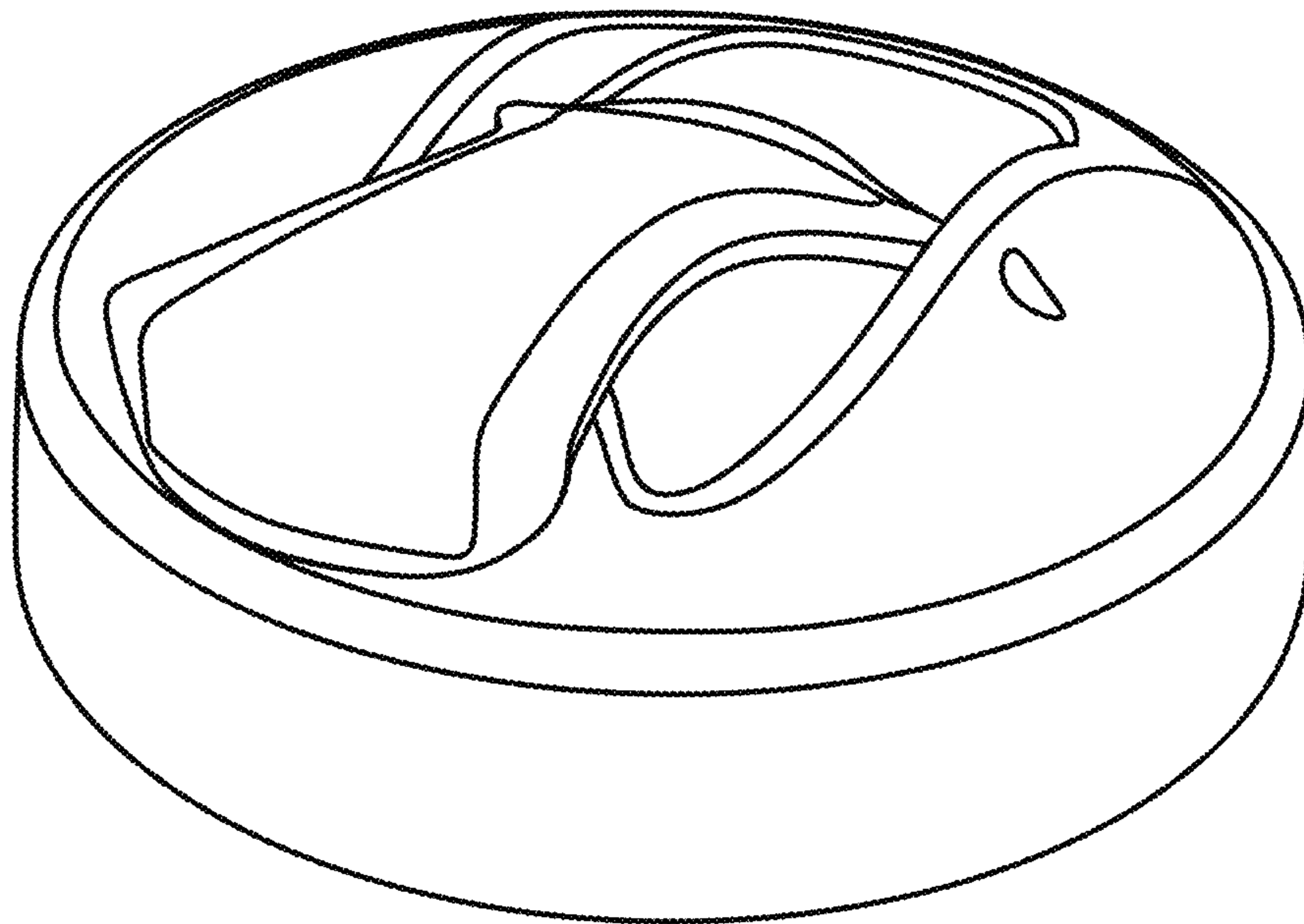


FIG. 1

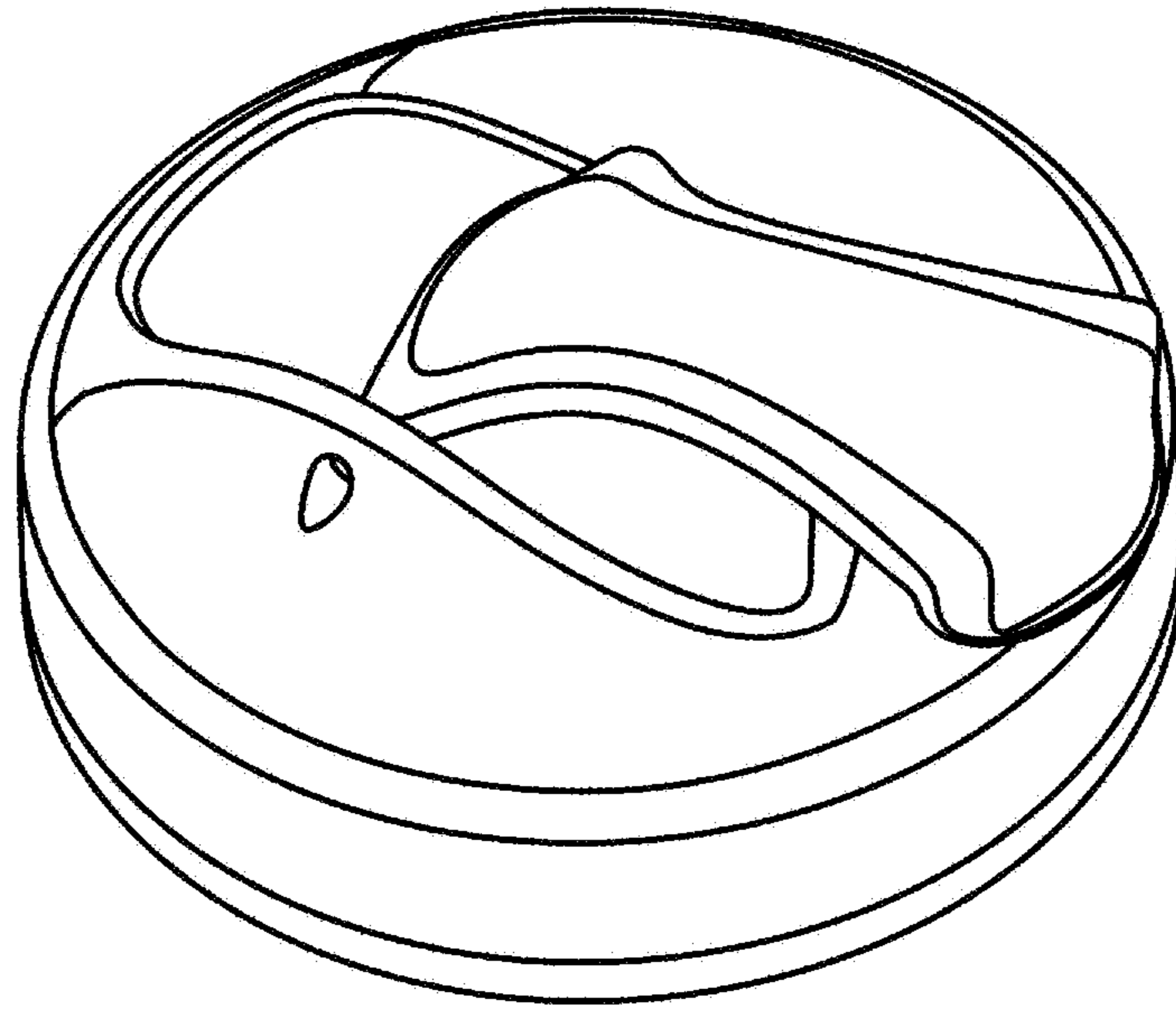


FIG. 2

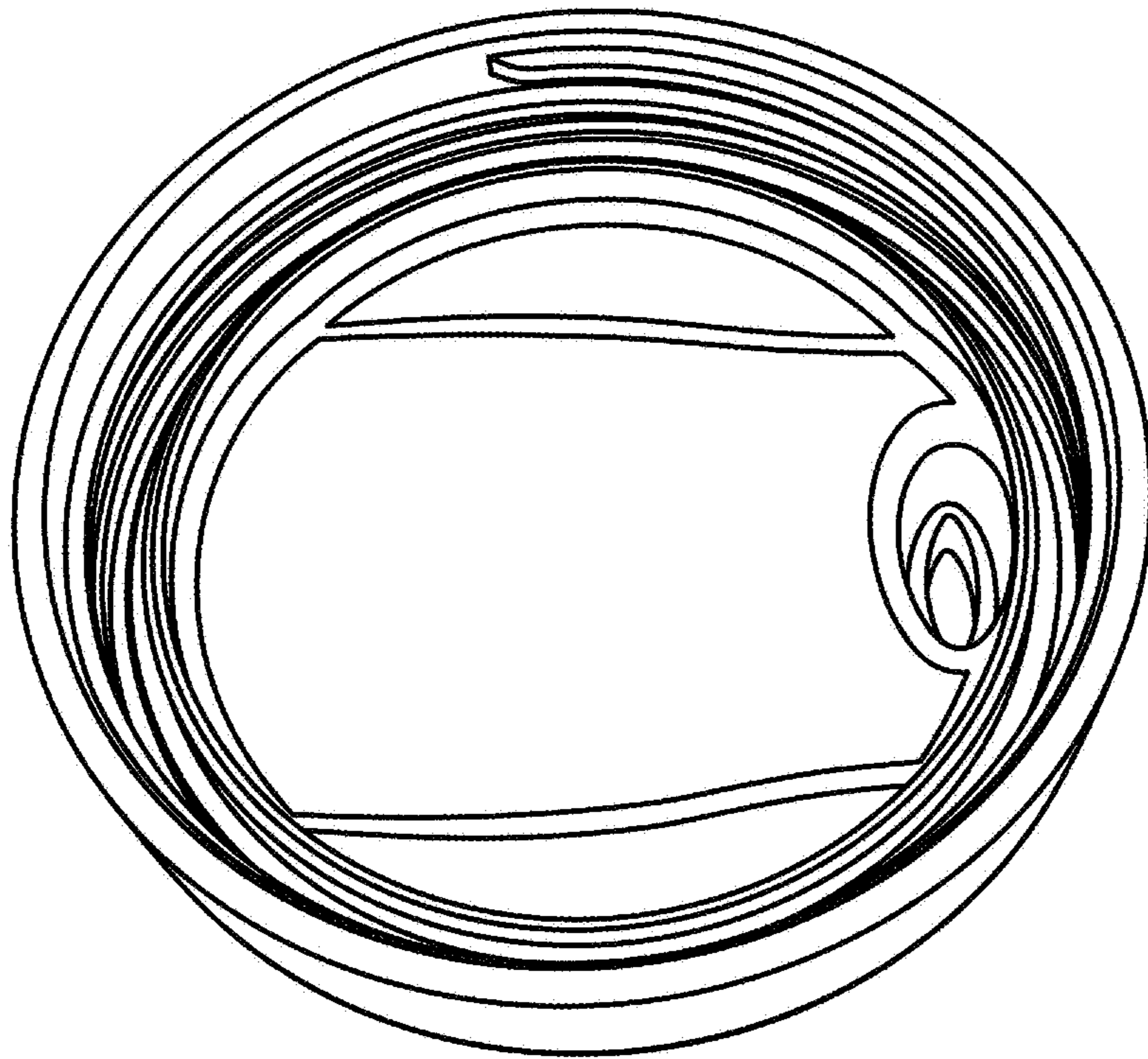


FIG. 3

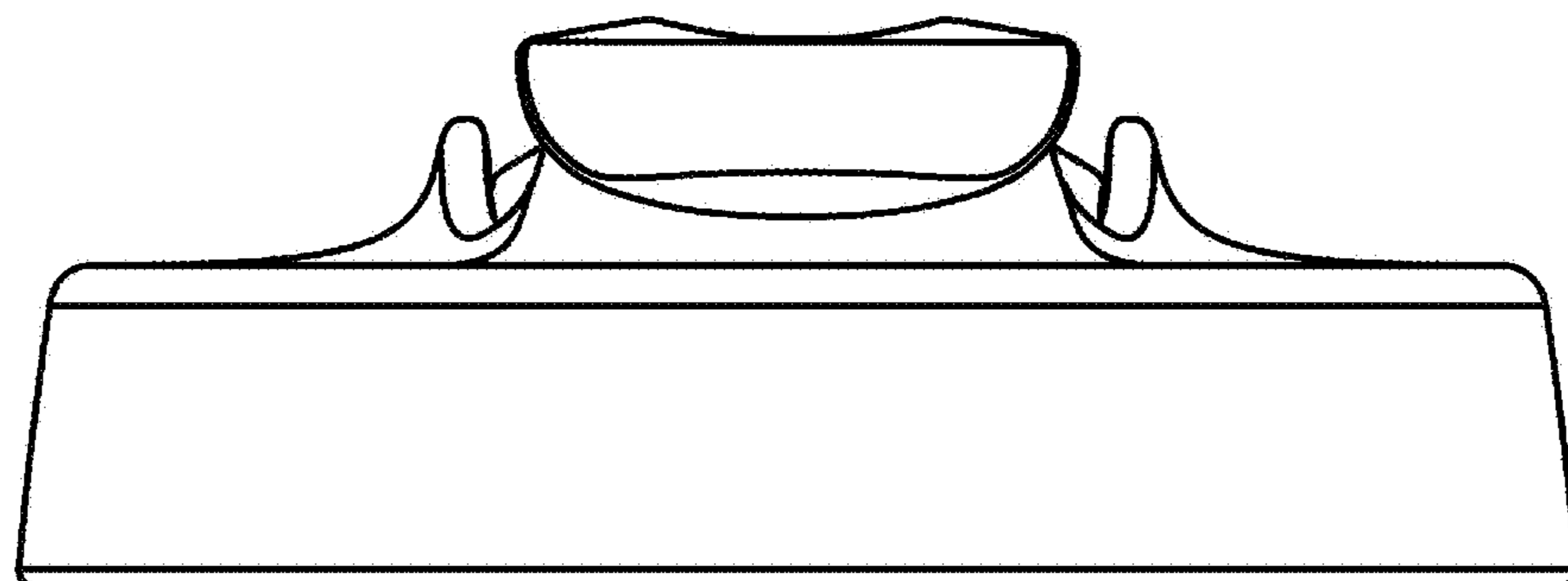


FIG. 4

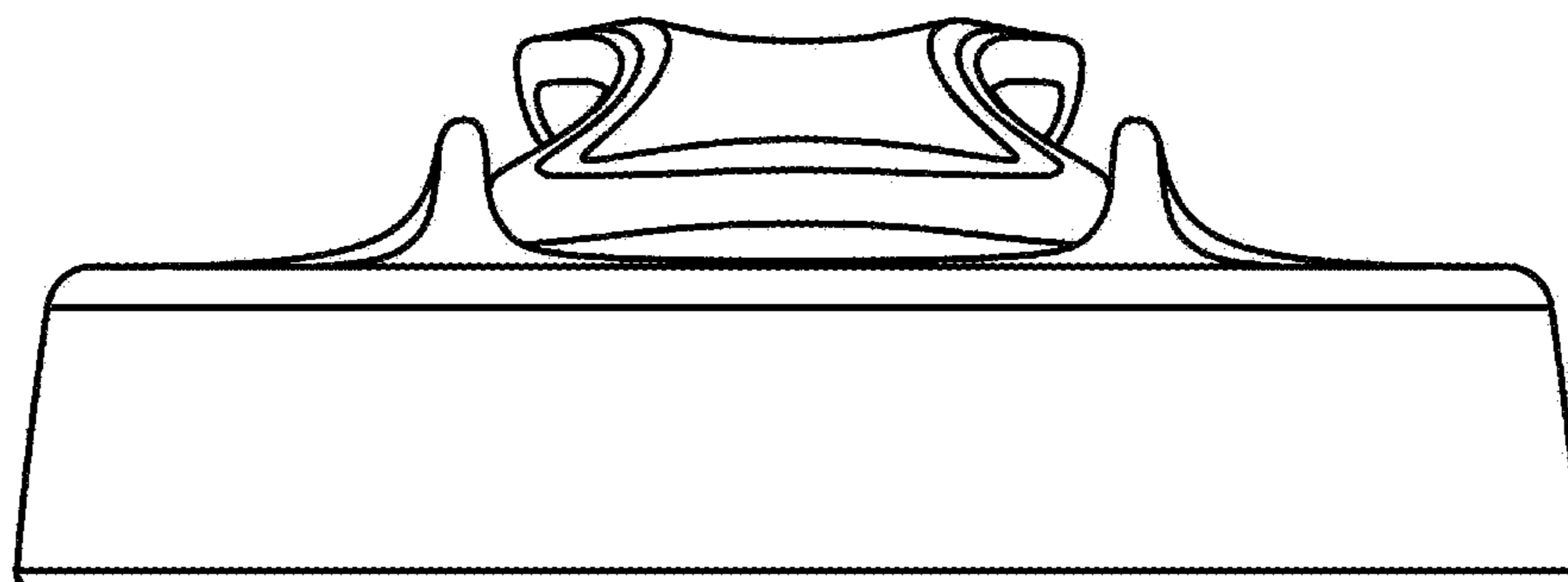


FIG. 5

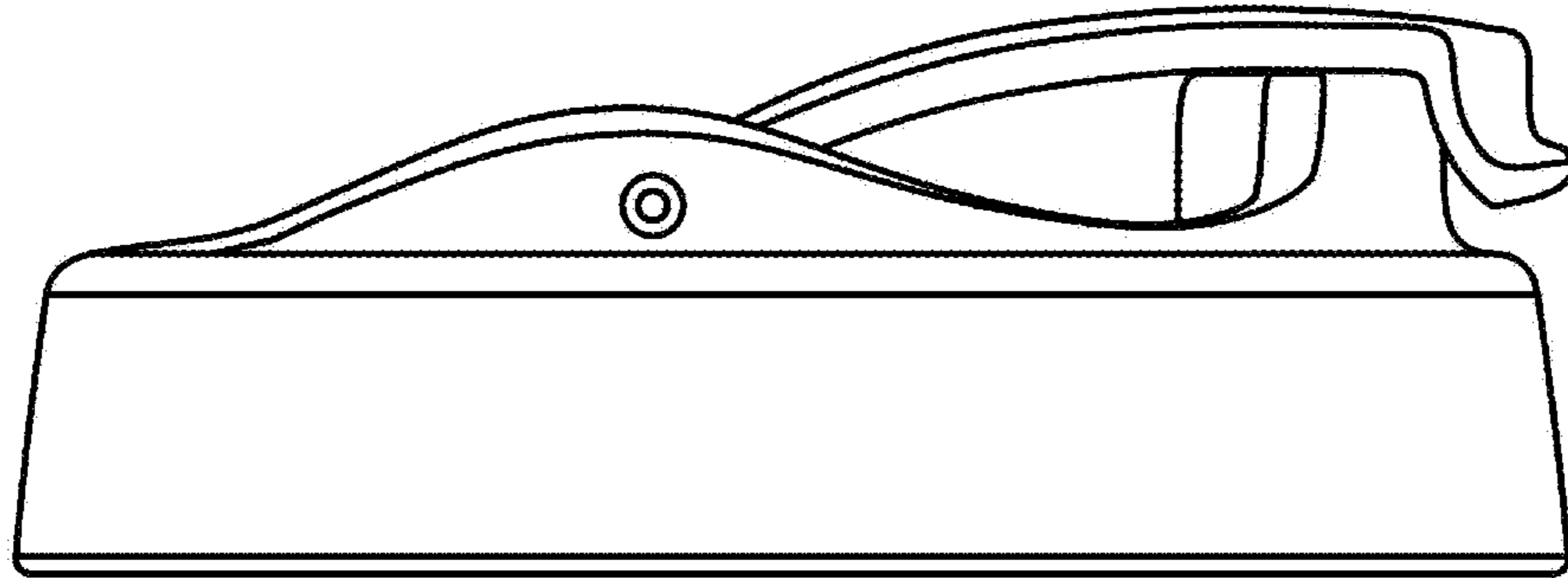


FIG. 6

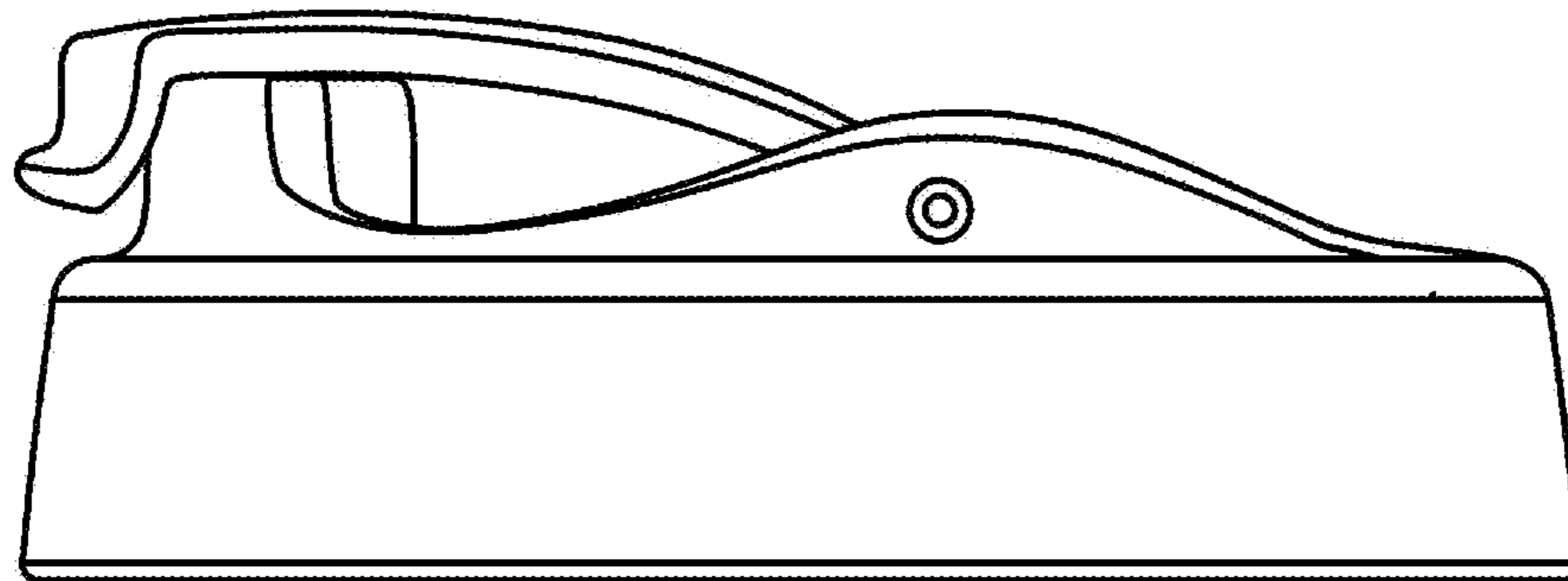


FIG. 7

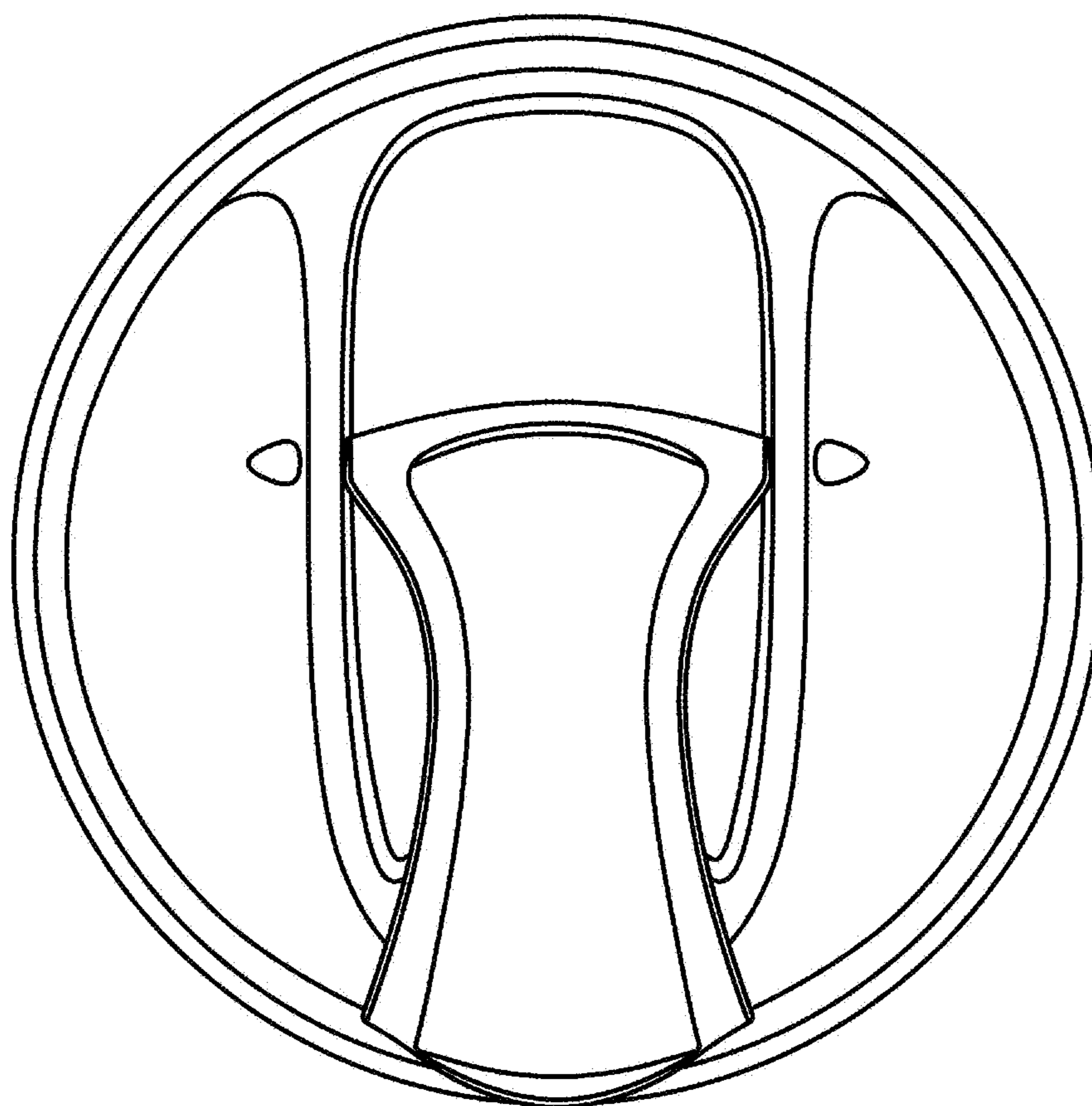


FIG. 8

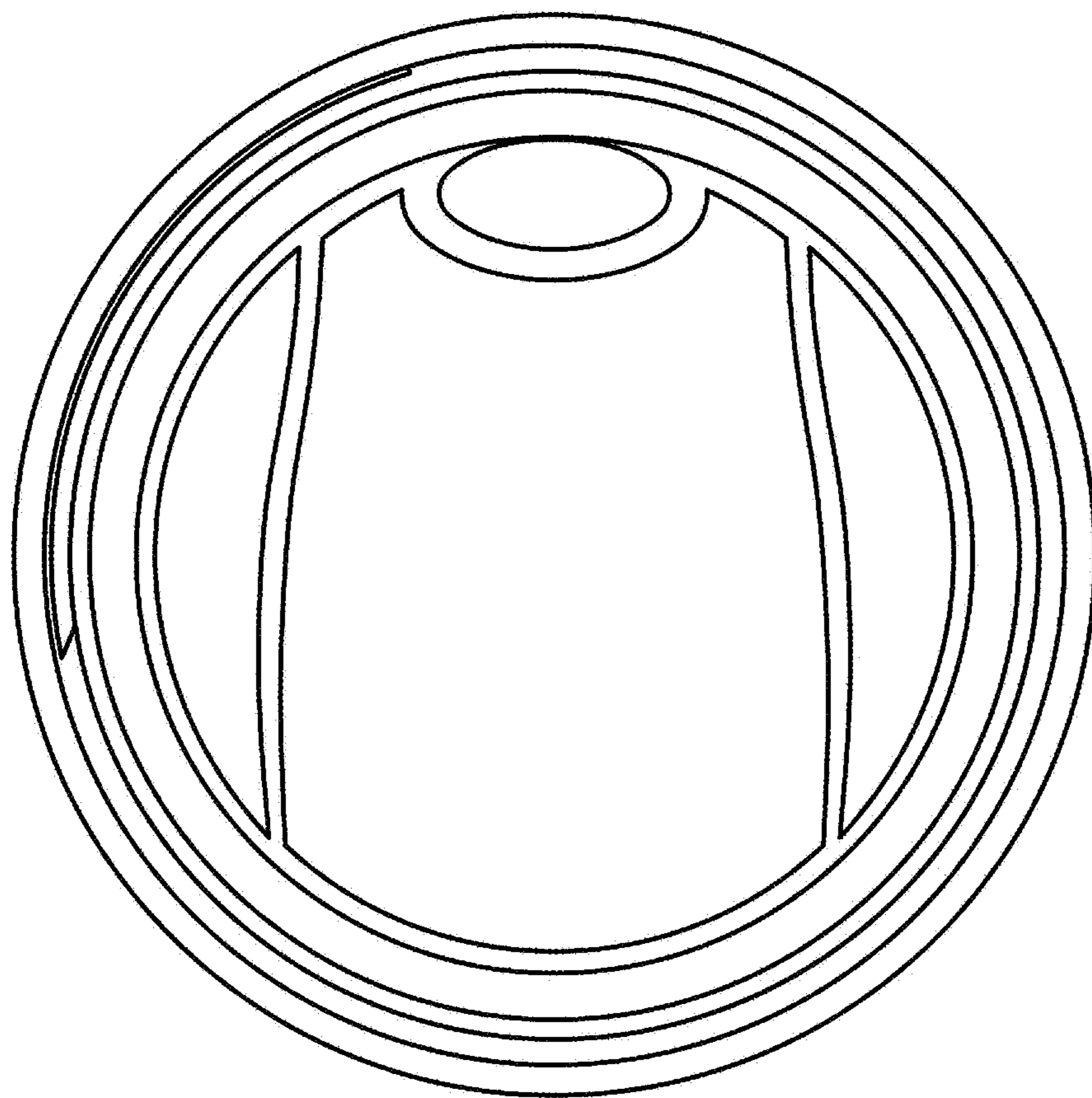


FIG. 9

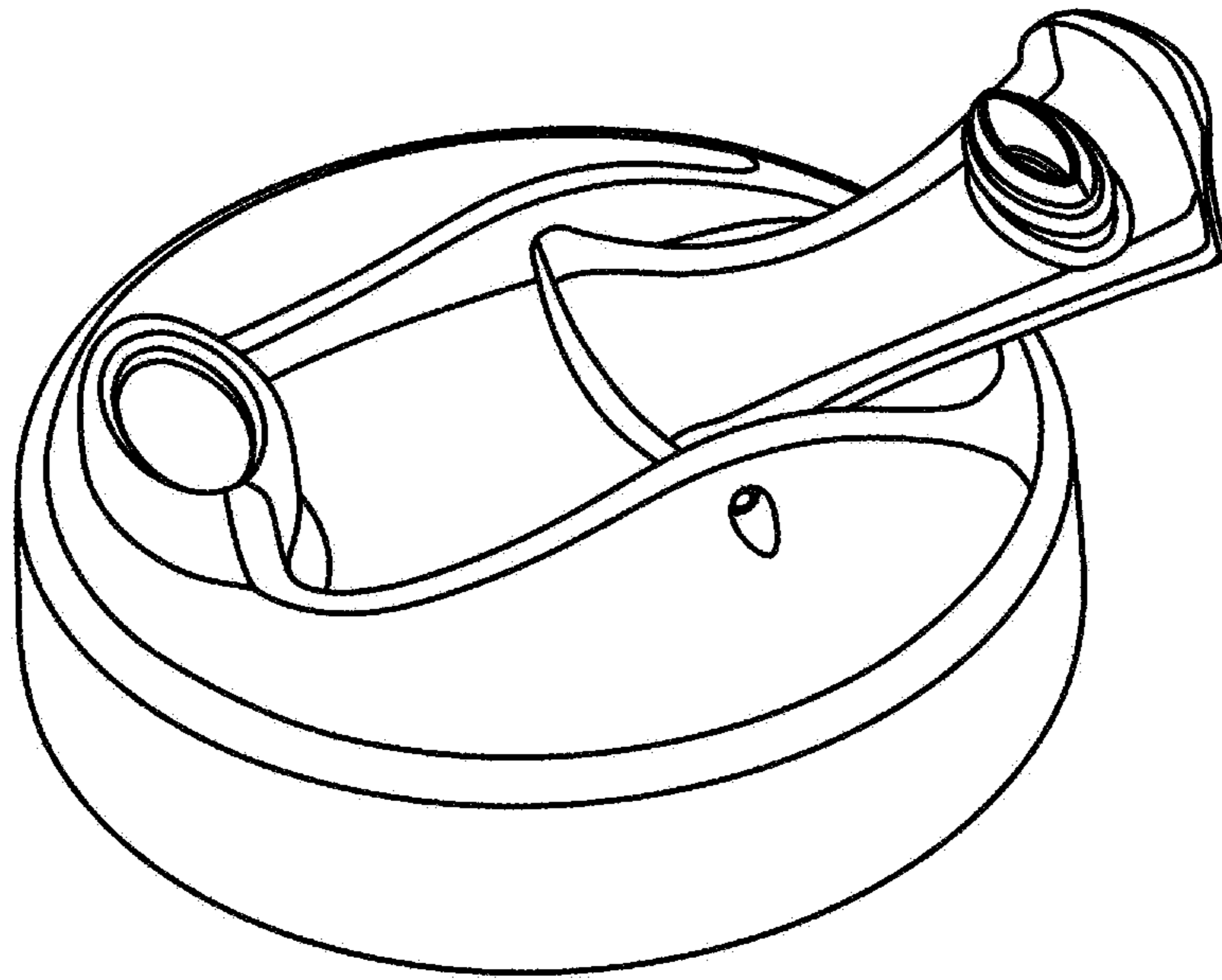


FIG. 10

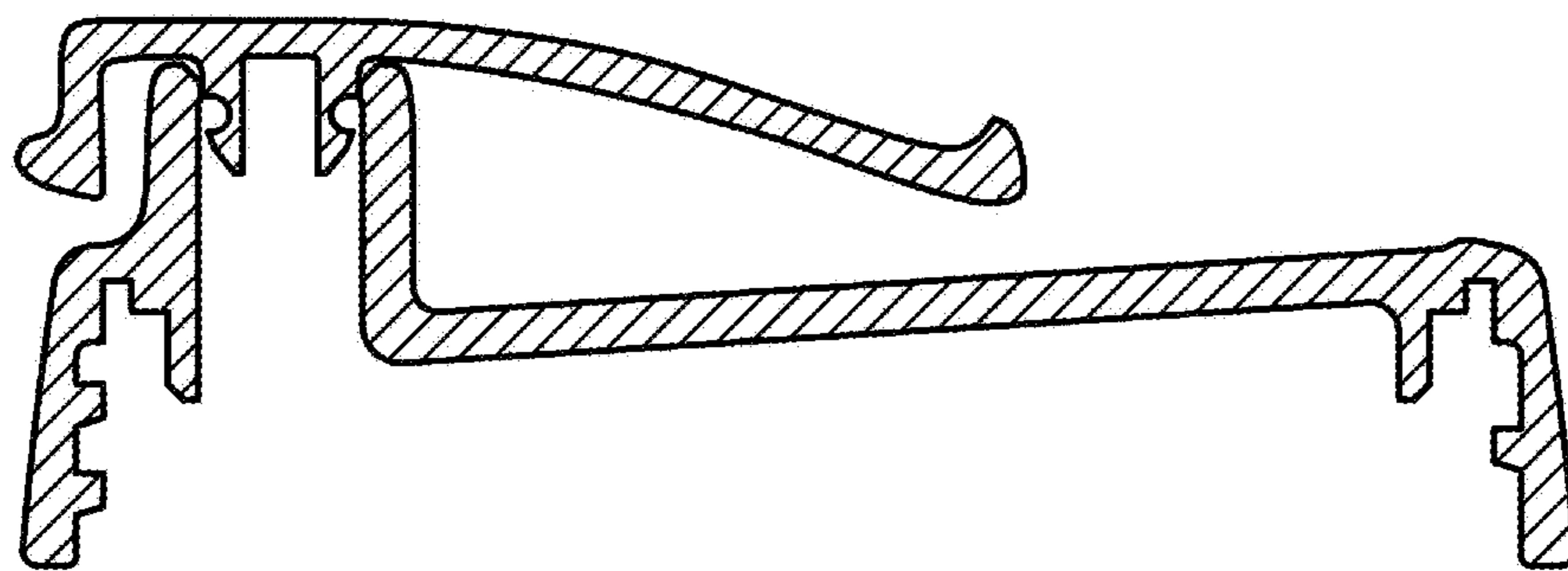


FIG. 11