



US00D880223S

(12) **United States Design Patent**
Koidl et al.

(10) **Patent No.:** **US D880,223 S**
(45) **Date of Patent:** **** Apr. 7, 2020**

- (54) **MILL**
- (71) Applicant: **KoMo GmbH**, Munich (DE)
- (72) Inventors: **Peter Koidl**, Hopfgarten (AT); **Marcel Koidl**, Buch in Tirol (AT)
- (73) Assignee: **KOMO GMBH**, Munich (DE)
- (**) Term: **15 Years**
- (21) Appl. No.: **29/636,327**
- (22) Filed: **Feb. 7, 2018**
- (30) **Foreign Application Priority Data**

Aug. 21, 2017 (EM) 004156495-0007

(51) **LOC (12) Cl.** **31-00**

(52) **U.S. Cl.**
USPC **D7/372**

(58) **Field of Classification Search**
USPC D7/323, 352, 353, 354, 356, 357, 359,
D7/367, 372, 373, 374, 375, 376, 377,
D7/381, 402, 410; D9/300, 435, 440,
D9/447, 448

CPC A47J 43/00; A47J 17/02; A47J 19/005;
A47J 27/60; A47J 27/62; A47J 37/04;
A47J 37/06; A47J 37/067; A47J 37/0605;
A47J 37/0611; A47J 37/0623; A47J
37/0629; A47J 37/0676; A47J 2037/0617;
B26D 7/00; B26D 7/26; B65D 1/00;
B65D 1/02; B65D 1/10; B65D 1/46;
B65D 41/00; B65D 41/38; B65D 41/56;
B65D 41/62; B65D 47/00; B65D 47/06;
B65D 47/08; B65D 2543/00046; B65D
2543/00092; B65D 2251/00; A21B 5/023;
F24C 15/10; F24C 15/102; H05B 6/02;
H05B 6/062

See application file for complete search history.

(56) **References Cited**

U.S. PATENT DOCUMENTS

D353,075 S * 12/1994 Littmann D7/373
D363,411 S * 10/1995 Mock D7/372

D369,510 S * 5/1996 Powers D7/376
D389,010 S * 1/1998 Joergensen D7/373
D488,024 S * 4/2004 Li D7/373

(Continued)

FOREIGN PATENT DOCUMENTS

DE 4019240 A1 * 1/1991 B02C 4/286
DE 4326728 A1 * 2/1995 A47J 42/16

(Continued)

OTHER PUBLICATIONS

KoMo Mio, posted Oct. 15, 2018 [online], retrieved Aug. 15, 2019,
retrieved from internet, https://pleasanthillgrain.com/komo-mio-grain-mill-flour-grinder-wood-stone-colors.*

(Continued)

Primary Examiner — Barbara Fox
Assistant Examiner — Messina L Smith
(74) *Attorney, Agent, or Firm* — Lewis Roca; Rothgerber
Christie LLP

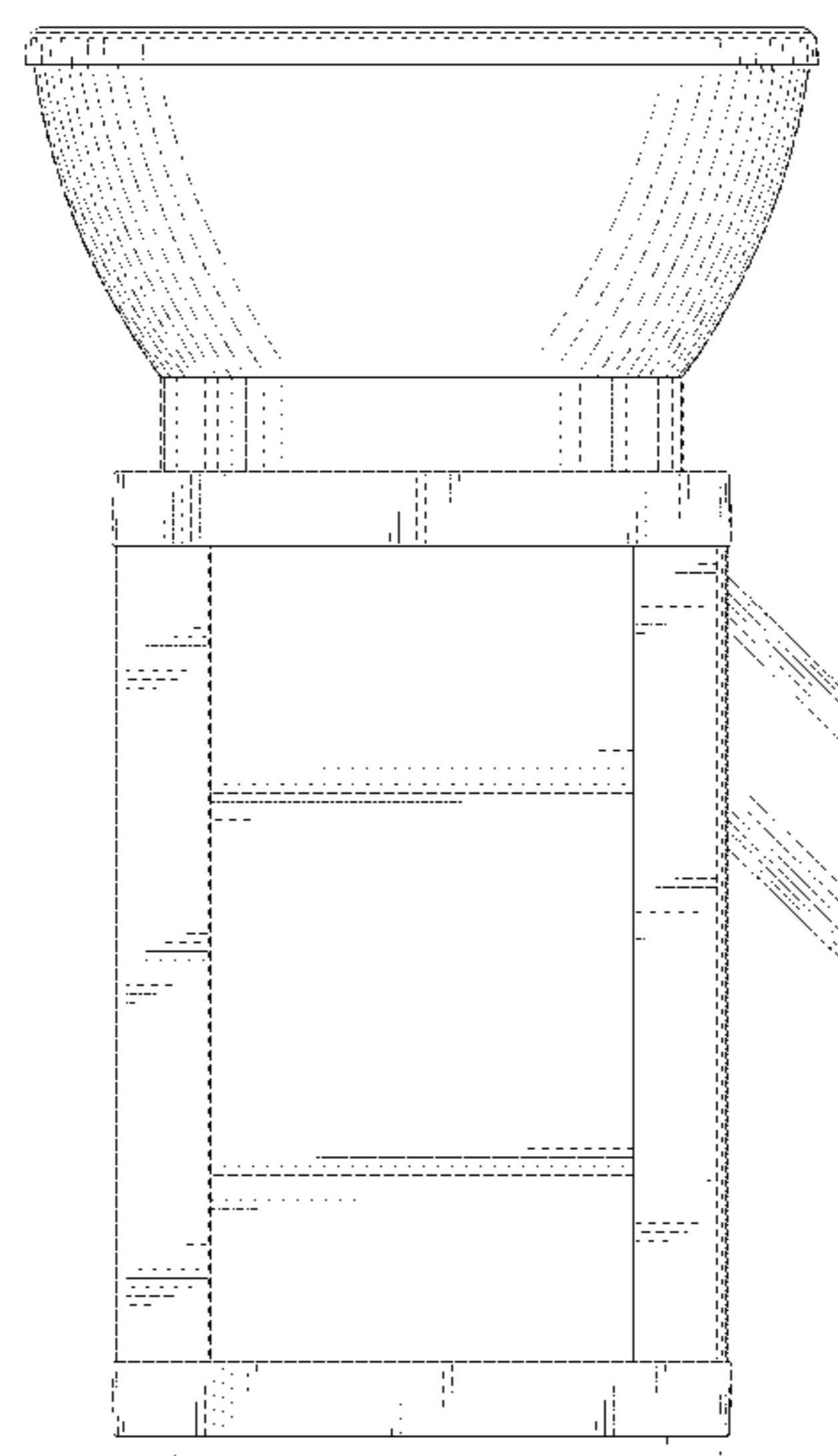
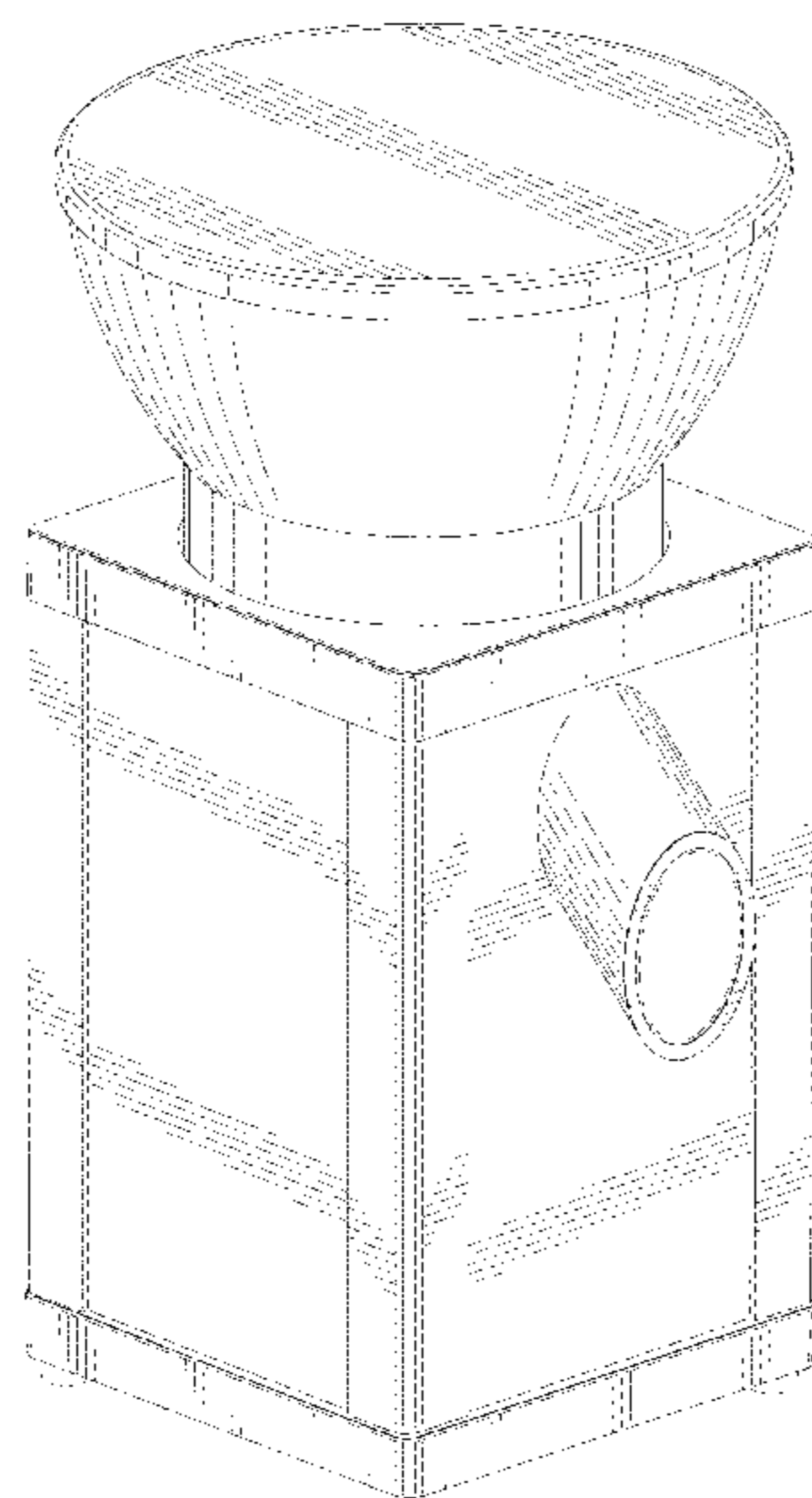
(57) **CLAIM**

The ornamental design for a mill, as shown and described.

DESCRIPTION

FIG. 1 is a perspective right front view of a mill, showing the new design;
FIG. 2 is a front view thereof;
FIG. 3 is a left side view thereof;
FIG. 4 is a rear view thereof;
FIG. 5 is a right side view thereof;
FIG. 6 is a top view thereof; and,
FIG. 7 is a bottom view thereof.
The broken lines shown in the drawings depict portions of the mill that form no part of the claimed design.

1 Claim, 7 Drawing Sheets



(56)

References Cited

U.S. PATENT DOCUMENTS

D500,427 S * 1/2005 Fung D7/373
7,874,505 B1 * 1/2011 Lassota A47J 42/38
241/259.1
D673,419 S * 1/2013 De Pra D7/373
9,427,110 B2 * 8/2016 Hoare A47J 42/08
D811,159 S * 2/2018 Huang D7/373
2003/0025012 A1 * 2/2003 Lassota A47J 31/42
241/34
2009/0127295 A1 * 5/2009 Cocchi A23G 9/28
222/509
2014/0103153 A1 * 4/2014 Below B02C 4/286
241/100

FOREIGN PATENT DOCUMENTS

GB 2347065 A * 8/2000 B02C 4/06
JP 04032676 A * 2/1992

OTHER PUBLICATIONS

KoMo Mio Grain Mill, posted Nov. 7, 2018 [online], retrieved Aug. 15, 2019, retrieved from internet, <https://www.amazon.com/KoMo-Grain-Electric-Flour-Grinder/dp/B07K8Y6Y9L>.*

* cited by examiner

FIG. 1

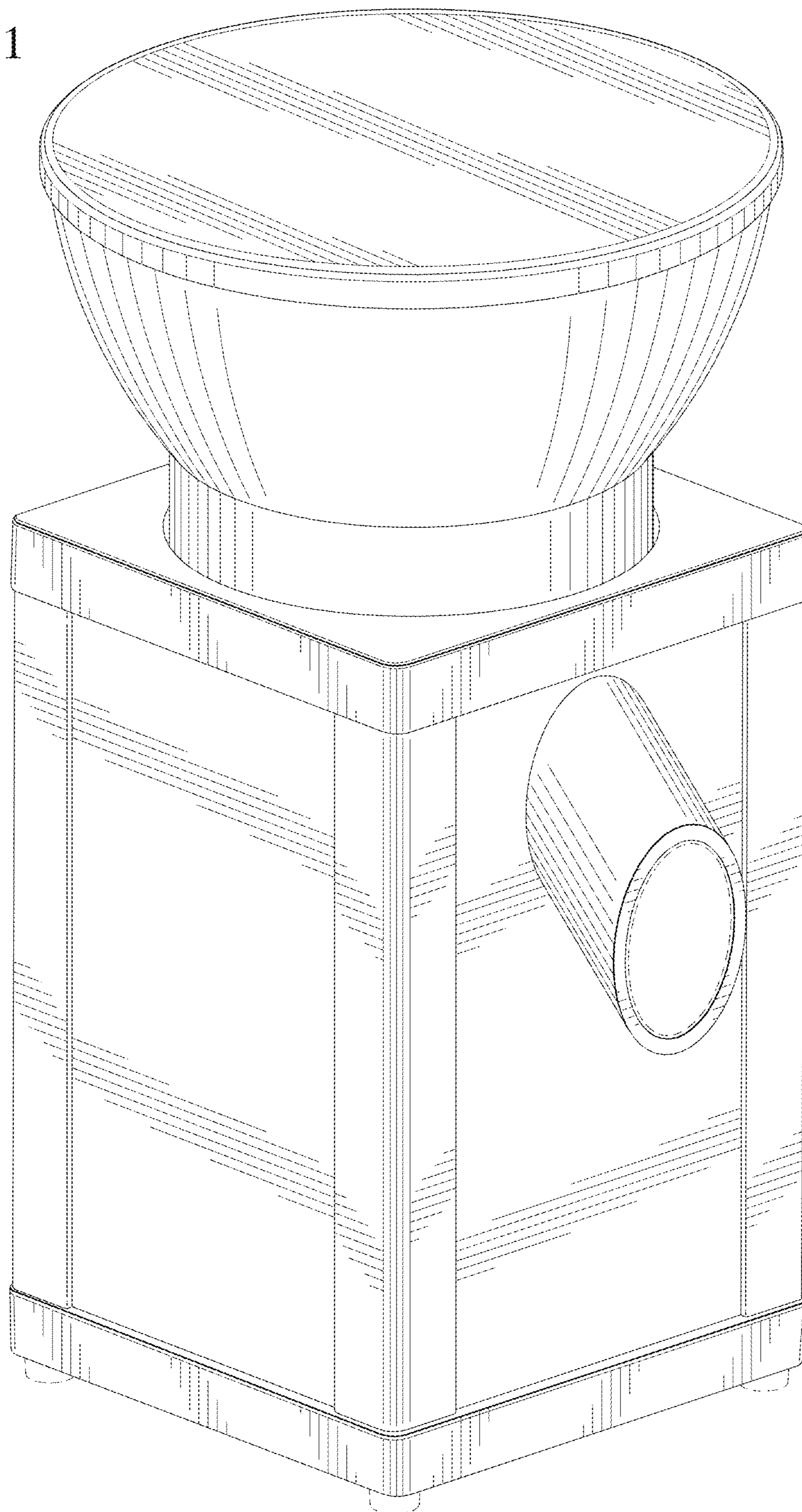


FIG. 2

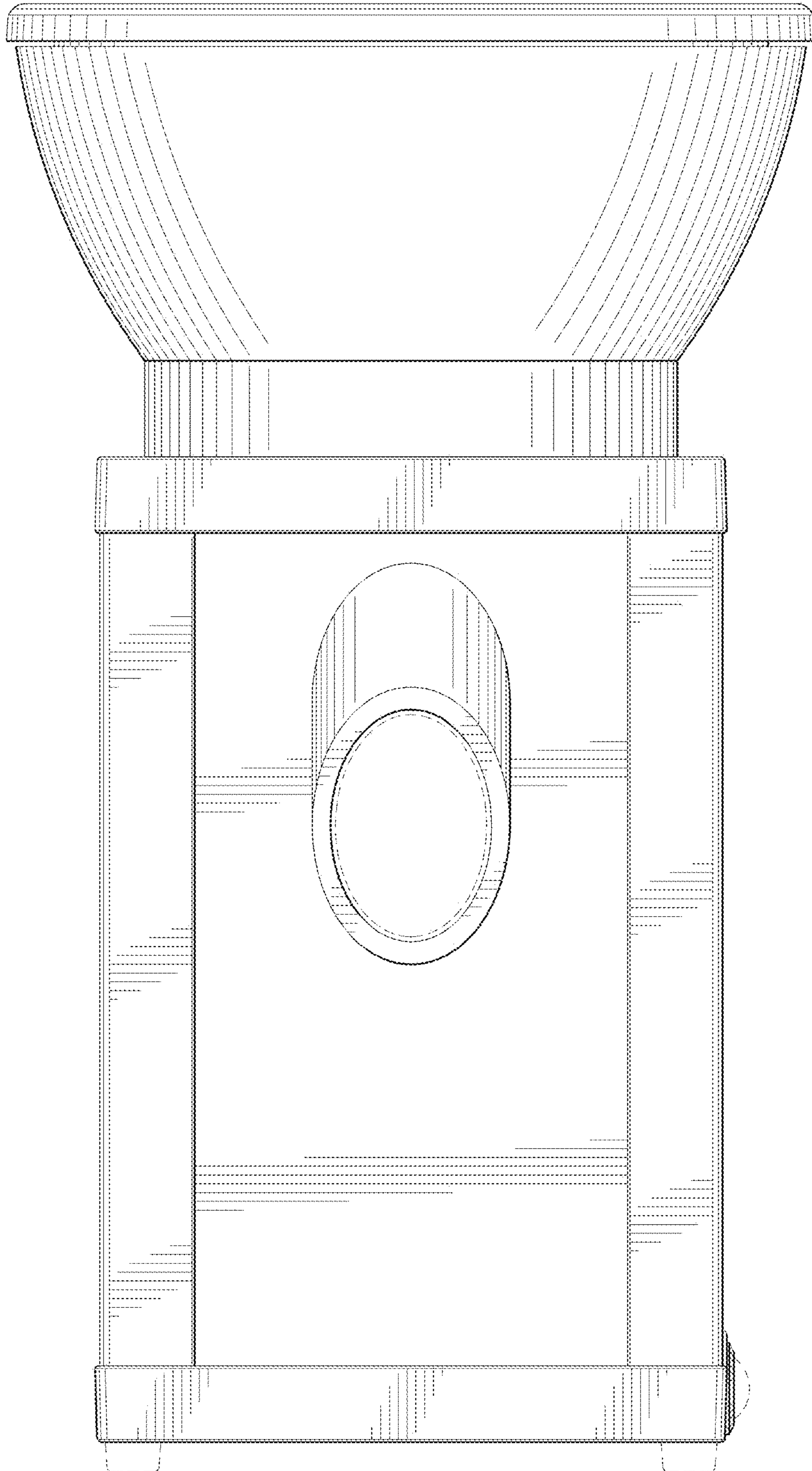


FIG. 3

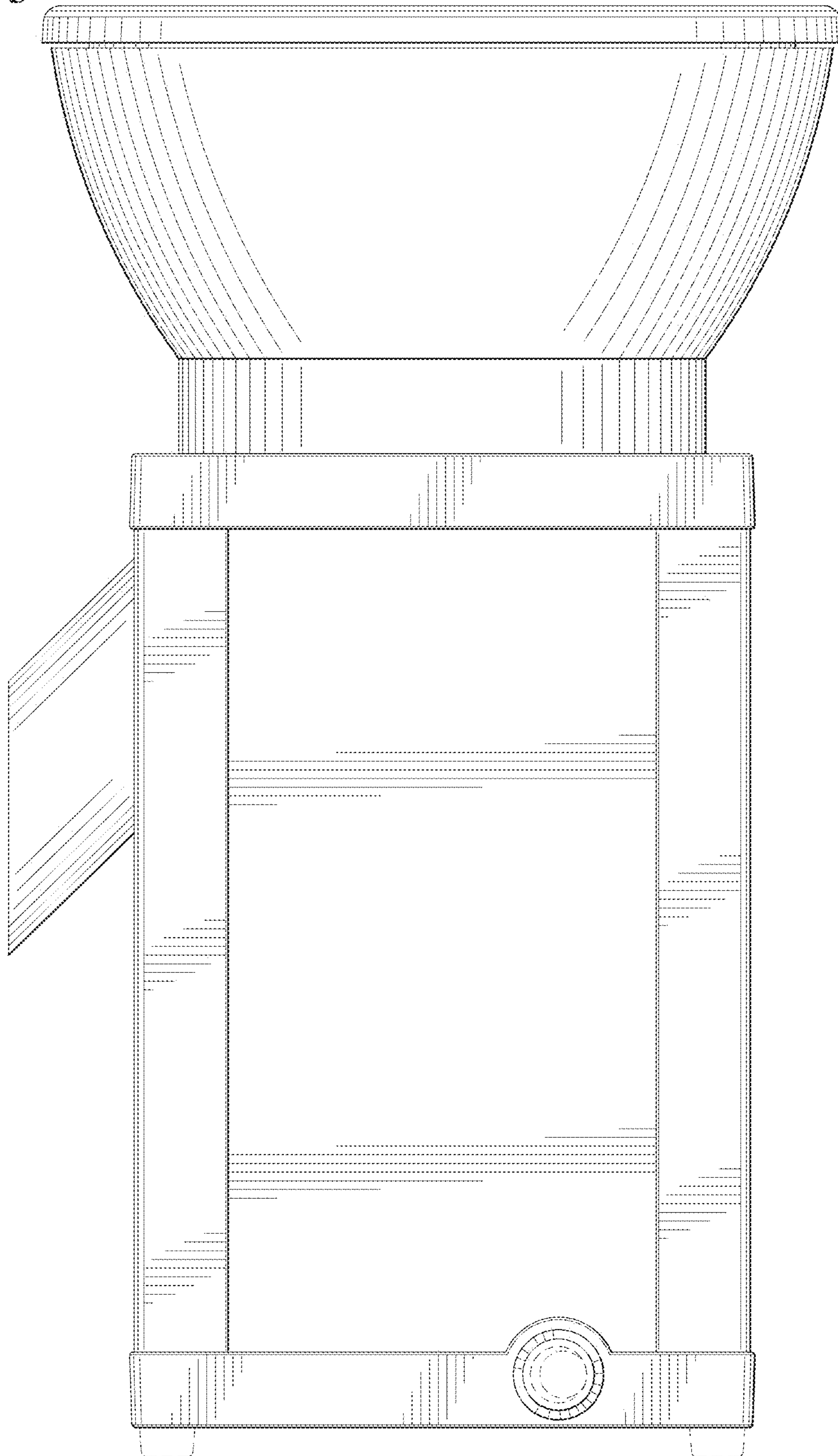


FIG. 4

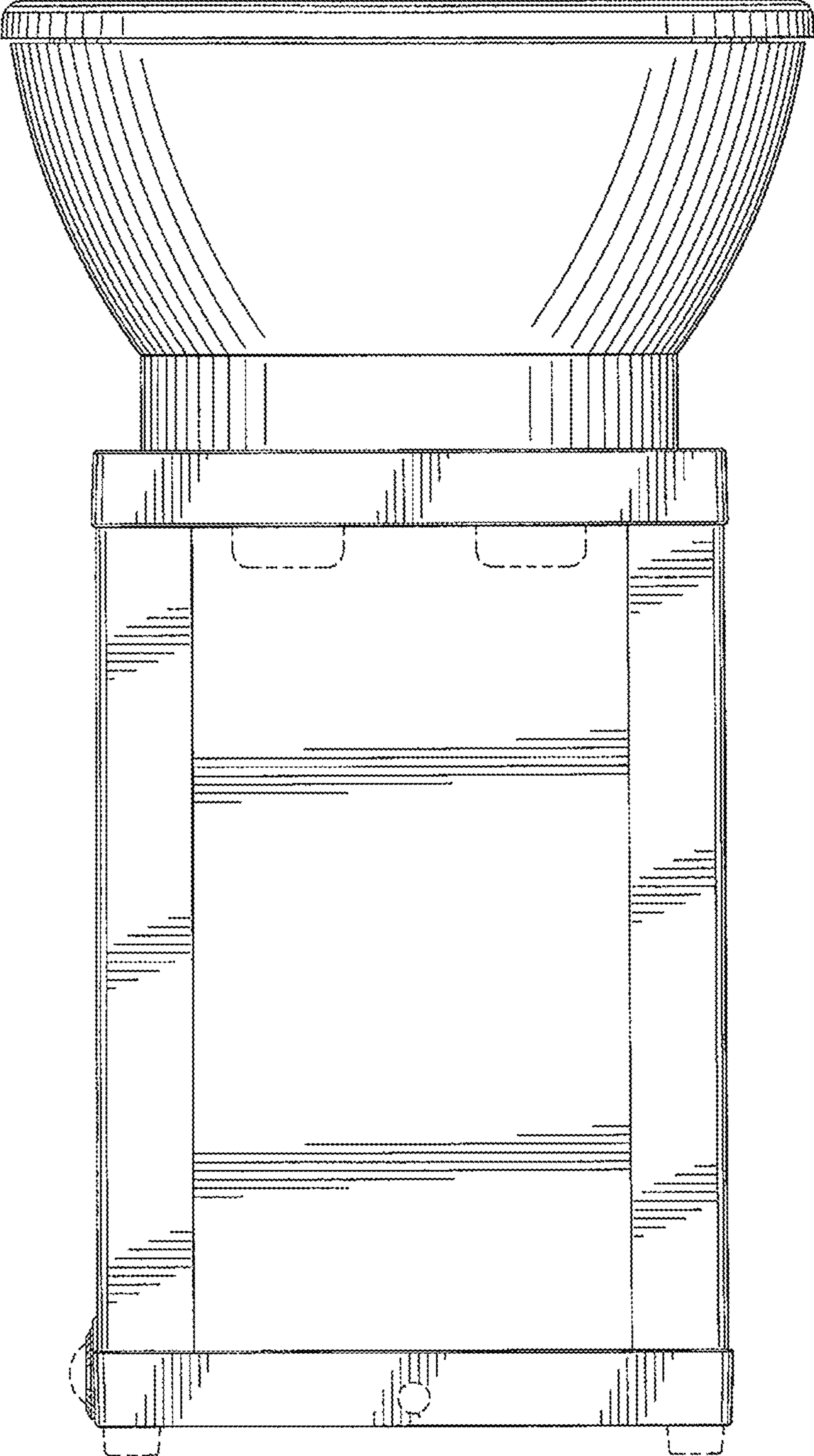


FIG. 5

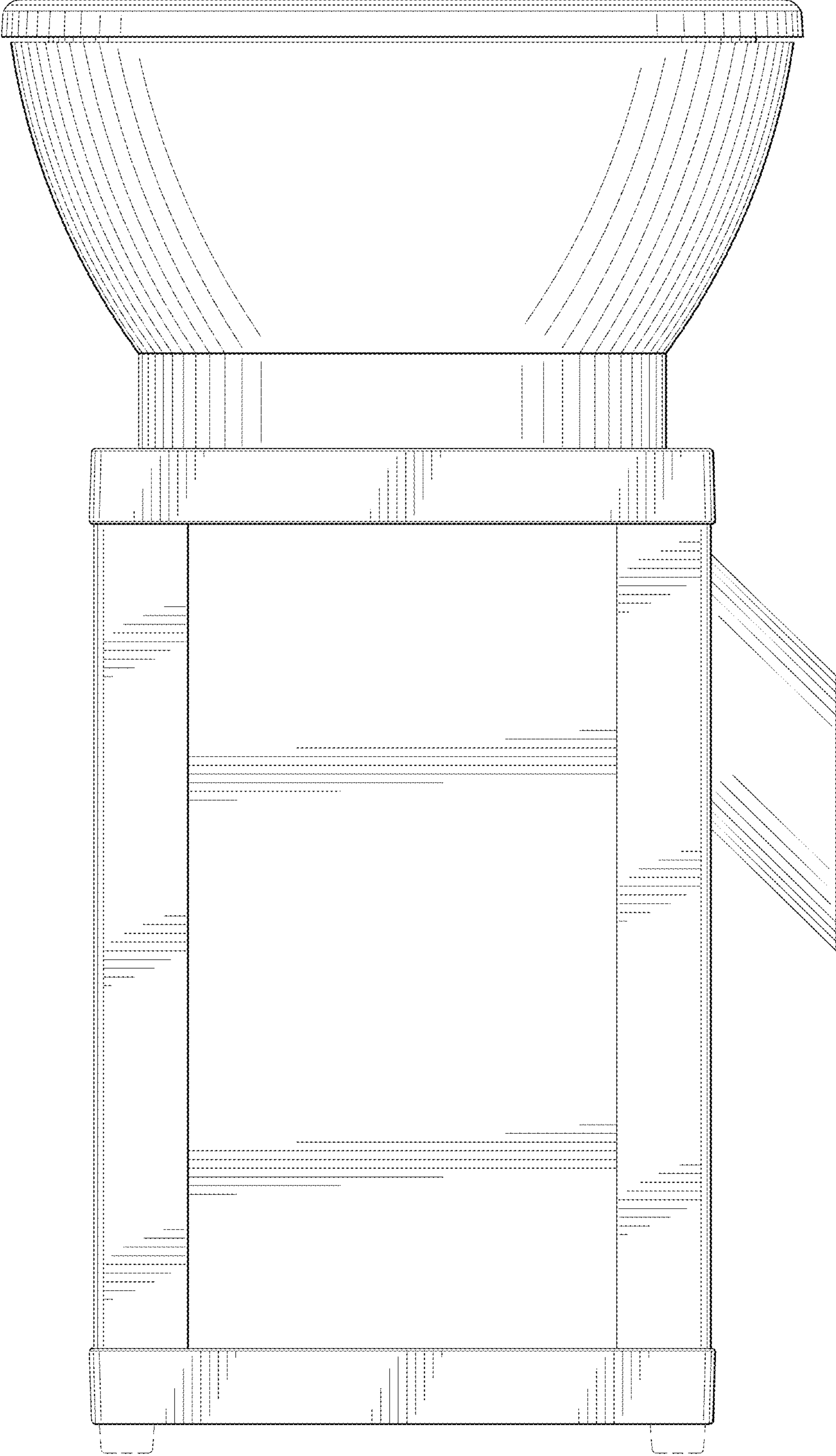


FIG. 6

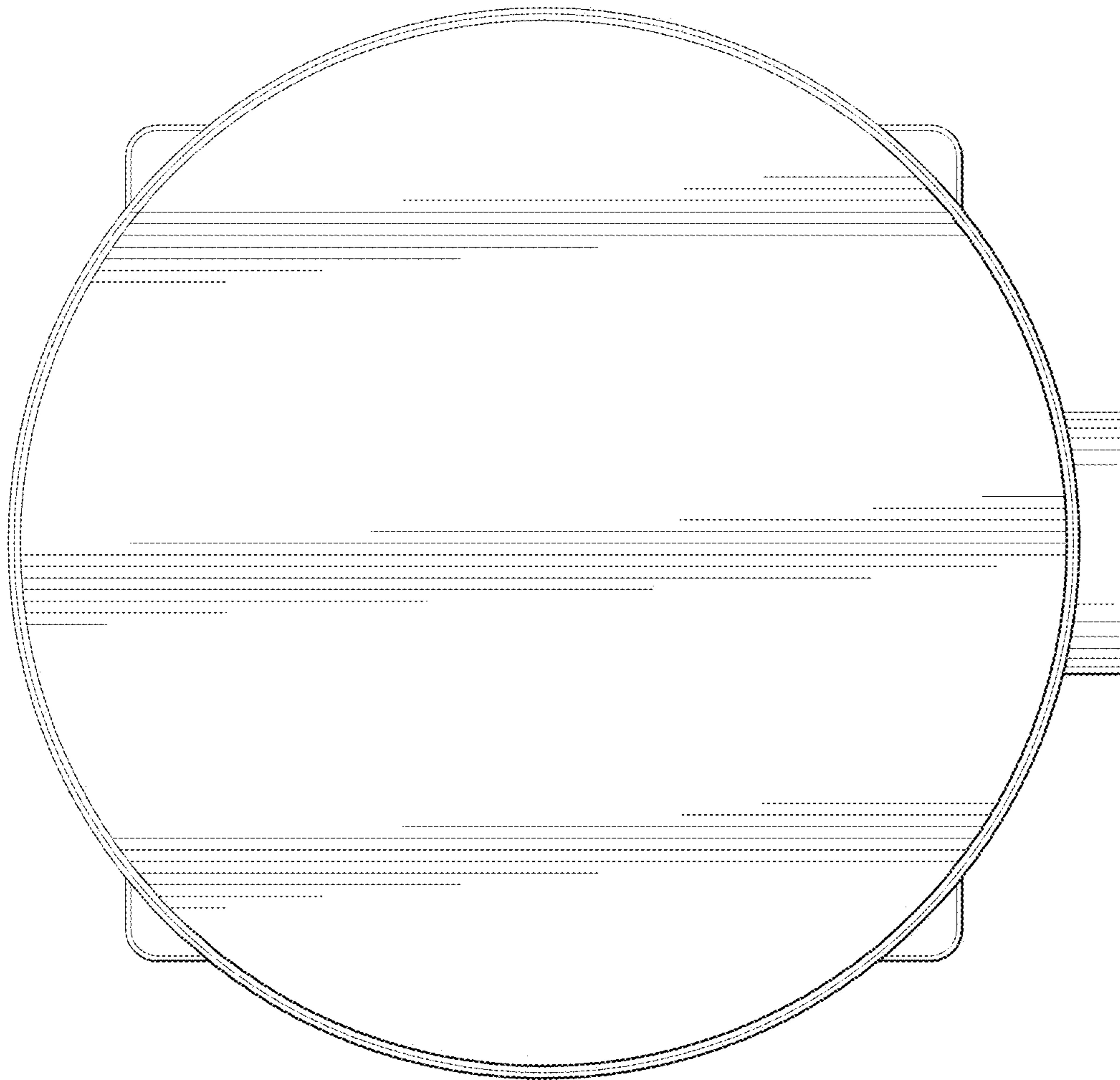


FIG. 7

