



US00D880221S

(12) **United States Design Patent** (10) **Patent No.:** **US D880,221 S**  
**Hollinger** (45) **Date of Patent:** **\*\* Apr. 7, 2020**

(54) **STACKABLE COOKWARE**  
(71) Applicant: **E. MISHAN & SONS, INC.**, New York, NY (US)  
(72) Inventor: **Fred Hollinger**, Monroe Township, NJ (US)  
(73) Assignee: **E. MISHAN & SONS, INC.**, New York, NY (US)  
(\*\*) Term: **15 Years**  
(21) Appl. No.: **29/678,468**  
(22) Filed: **Jan. 29, 2019**

(56) **References Cited**  
U.S. PATENT DOCUMENTS  
1,268,017 A 5/1918 Knight  
2,037,807 A 4/1936 Lockwood  
2,058,807 A 10/1936 Lockwood  
2,222,584 A 4/1937 Oltman  
2,116,487 A 5/1938 Jackson  
2,116,489 A 5/1938 Jackson  
2,199,687 A 5/1940 Blankenship  
2,624,487 A 1/1953 Fry  
3,641,920 A 2/1972 Kraft et al.  
4,204,609 A 5/1980 Kuhn  
5,253,758 A 10/1993 Bissell, II  
5,287,798 A \* 2/1994 Takeda ..... A47J 27/04  
D349,420 S 8/1994 Hasuike 126/369  
(Continued)

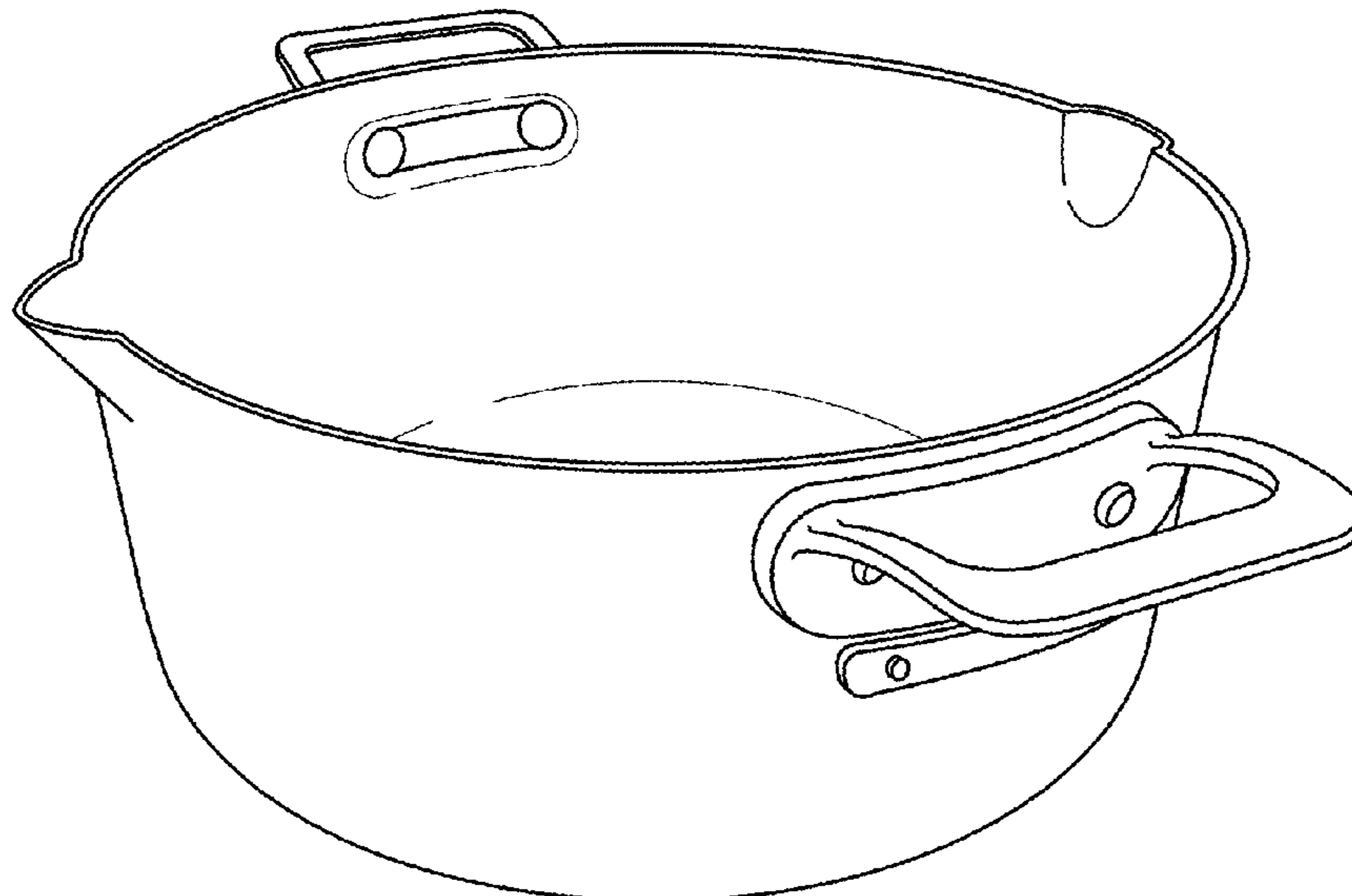
**Related U.S. Application Data**  
(62) Division of application No. 29/675,505, filed on Jan. 2, 2019.  
(51) **LOC (12) Cl.** ..... **07-02**  
(52) **U.S. Cl.**  
USPC ..... **D7/360; D7/354**  
(58) **Field of Classification Search**  
USPC ..... D7/323, 354-363, 391, 393-396, 409  
CPC ..... A47G 19/12; A47J 27/00; A47J 27/002;  
A47J 27/04; A47J 27/08; A47J 27/12;  
A47J 27/13; A47J 27/21; A47J 27/58;  
A47J 27/122; A47J 36/025; A47J 36/06;  
A47J 36/08; A47J 36/10; A47J 36/12;  
A47J 36/20; A47J 37/00; A47J 37/10;  
A47J 37/101; A47J 37/103; A47J 37/12;  
A47J 37/1204; A47J 43/288; A47J  
45/061; A47J 45/071; A47J 45/06; A47J  
45/08; B65D 21/0233; B65D 45/32;  
E05B 65/50; H02G 3/088; H05B 6/12  
See application file for complete search history.

**FOREIGN PATENT DOCUMENTS**  
AU 41207/78 10/1978  
CA 1255240 6/1989  
(Continued)  
*Primary Examiner* — Ricky Pham  
(74) *Attorney, Agent, or Firm* — Notaro, Michalos & Zaccaria P.C.

(57) **CLAIM**  
The ornamental design for a stackable cookware, as shown and described.

**DESCRIPTION**  
FIG. 1 is a front, right, top, perspective view of stackable cookware showing my design therefor;  
FIG. 2 is a rear, top, right perspective view thereof;  
FIG. 3 is a side elevational view thereof;  
FIG. 4 is a front elevational view thereof;  
FIG. 5 is a rear elevational view thereof;  
FIG. 6 is a top plan view thereof; and,  
FIG. 7 is a bottom plan view thereof.  
Throughout the drawings, broken lines indicate environment and form no part of the design.

**1 Claim, 7 Drawing Sheets**



(56)

References Cited

U.S. PATENT DOCUMENTS

5,388,732 A \* 2/1995 Greger ..... A47J 36/08  
210/467  
D358,062 S 5/1995 Hasuike  
D420,848 S \* 2/2000 Neidigh ..... D7/360  
6,237,775 B1 5/2001 Hatch et al.  
D455,315 S \* 4/2002 Cheng ..... D7/354  
7,347,327 B2 3/2008 Lobman et al.  
D589,295 S \* 3/2009 Rohrer ..... D7/360  
D603,212 S \* 11/2009 Ek ..... D7/354  
D618,491 S \* 6/2010 Welk ..... D7/354  
8,272,531 B2 9/2012 Cuillery et al.  
8,413,840 B2 4/2013 Metaxatos et al.  
D752,912 S \* 4/2016 Venot ..... D7/354  
D764,857 S \* 8/2016 McConnell ..... D7/354  
D841,389 S \* 2/2019 Bourgeois ..... D7/360  
D843,774 S \* 3/2019 Lam ..... D7/354  
D869,223 S \* 12/2019 Kurani ..... D7/361  
2003/0167932 A1 9/2003 Chen

2009/0049650 A1 2/2009 Cuillery et al.  
2011/0056957 A1 3/2011 Cheng  
2013/0098920 A1 4/2013 Lee  
2013/0306646 A1 11/2013 Cheng  
2017/0247143 A1 8/2017 Gossens et al.

FOREIGN PATENT DOCUMENTS

DE 8615346 10/1987  
DE 4330653 A1 10/1994  
DE 40008484-0004 9/2000  
DE 40008484-0022 9/2000  
DE 40200009-0006 1/2002  
DE 40200009-0008 1/2002  
DE 40200009-0009 1/2002  
DE 40502400-0010 5/2005  
DE 102009023000 A1 12/2010  
DE 3210503 A1 8/2017  
EM 003742733-0006 2/2017  
WO 2006/100367 3/2006

\* cited by examiner

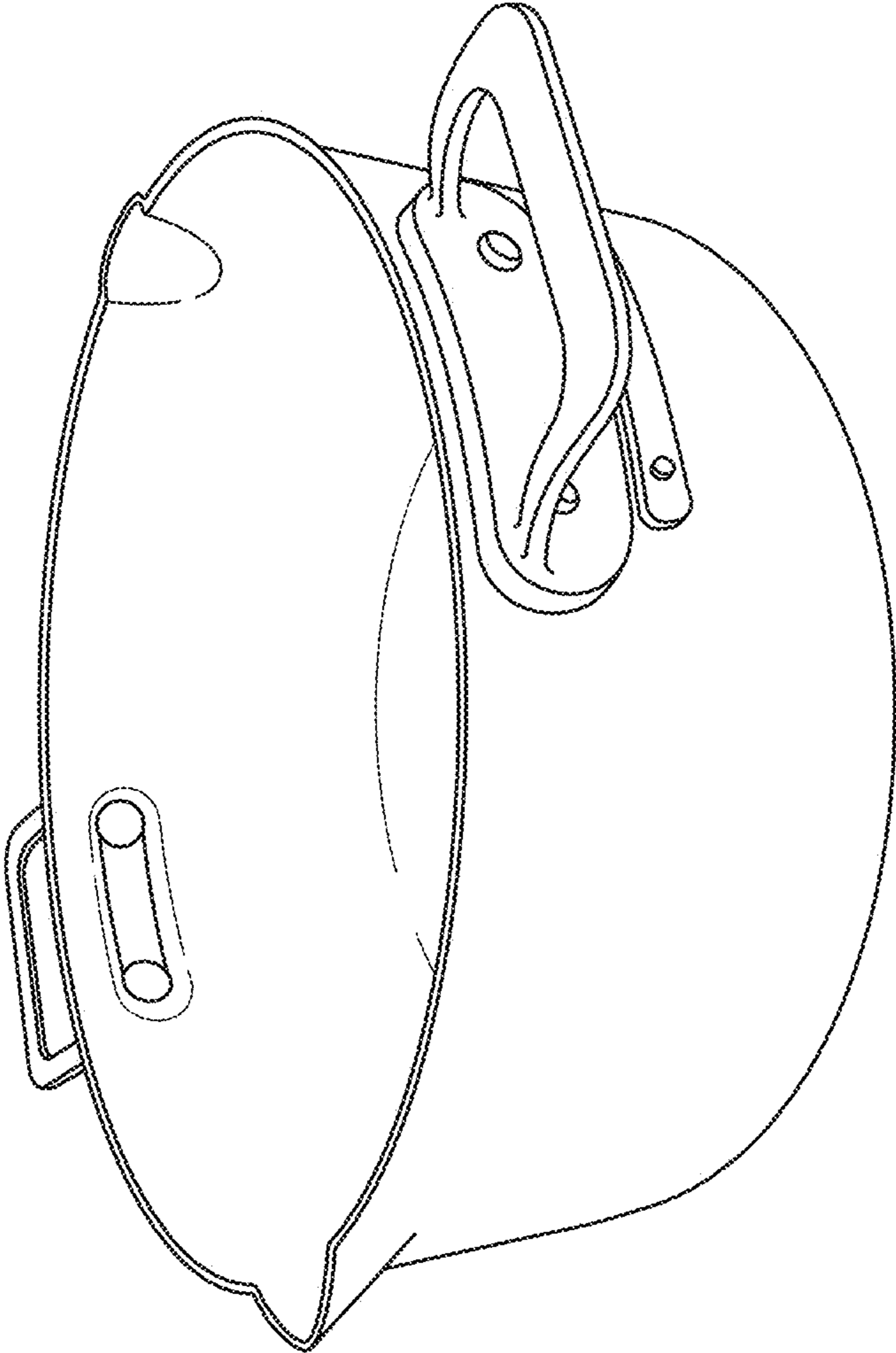


FIG. 1

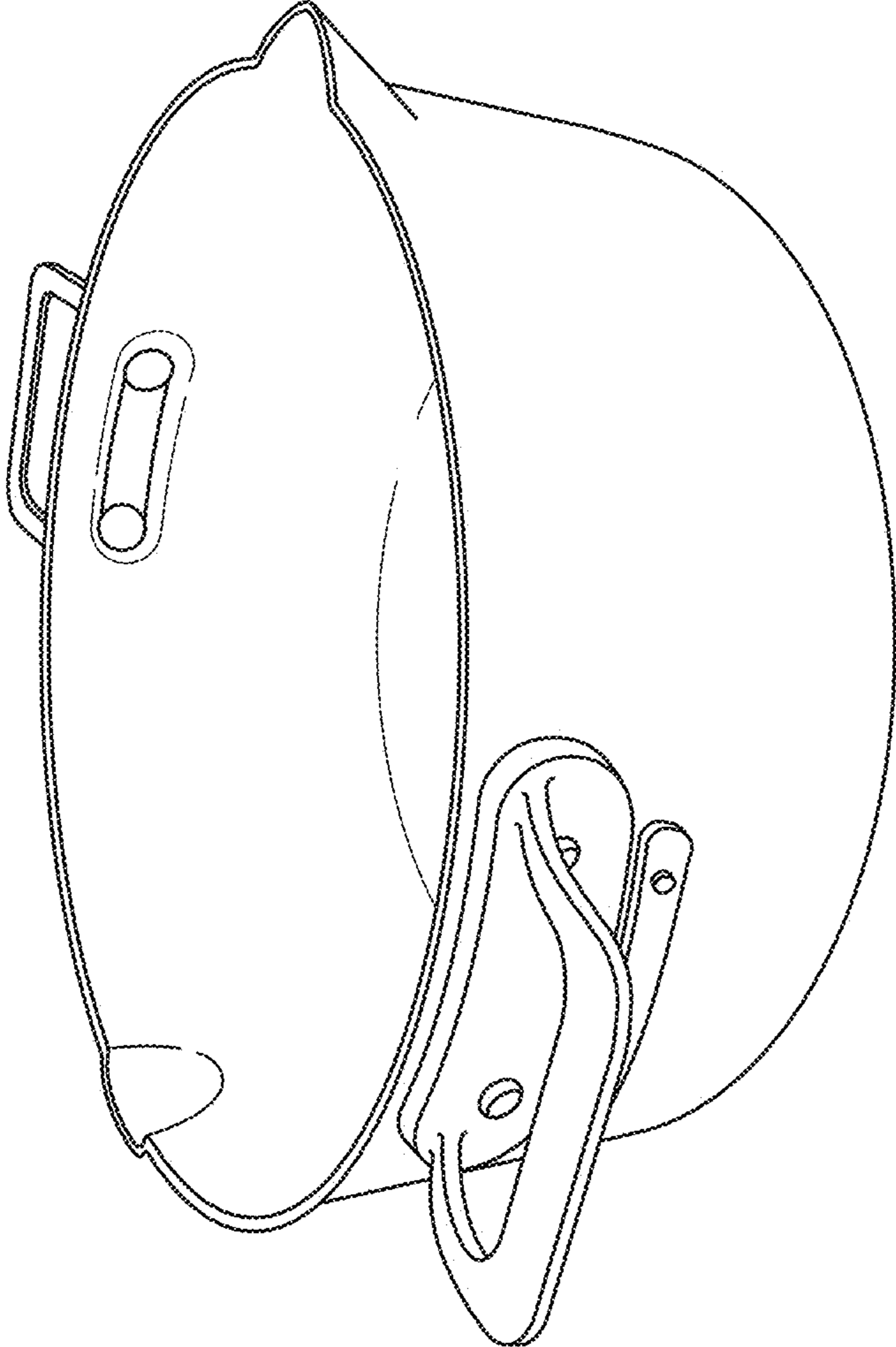


FIG. 2

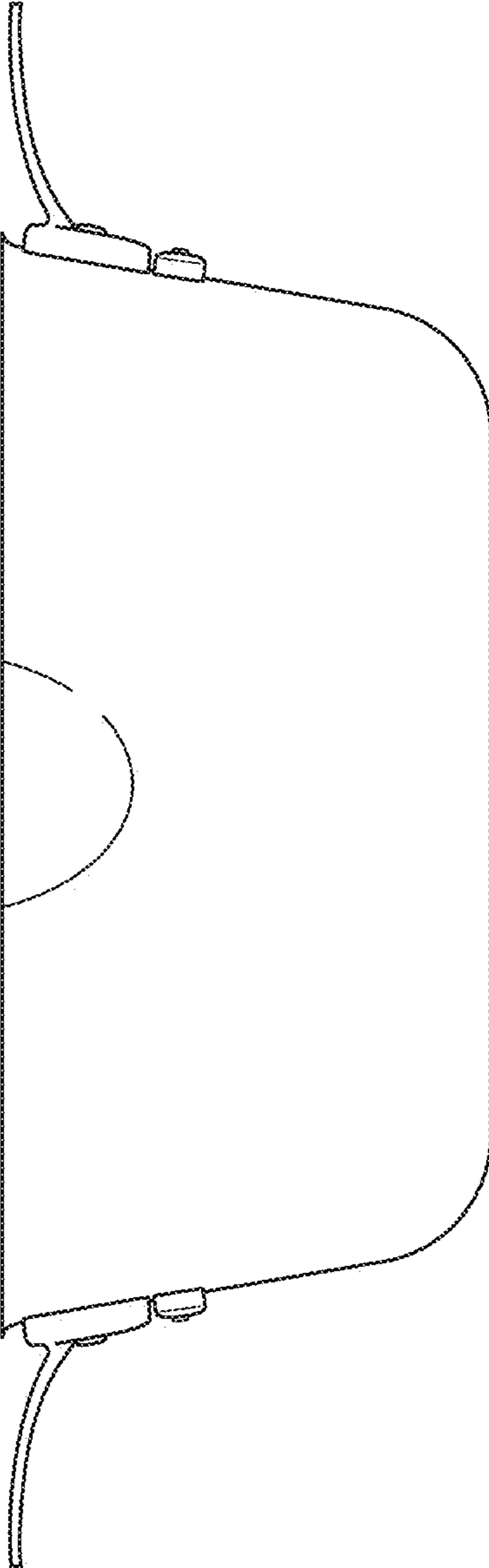


FIG. 3

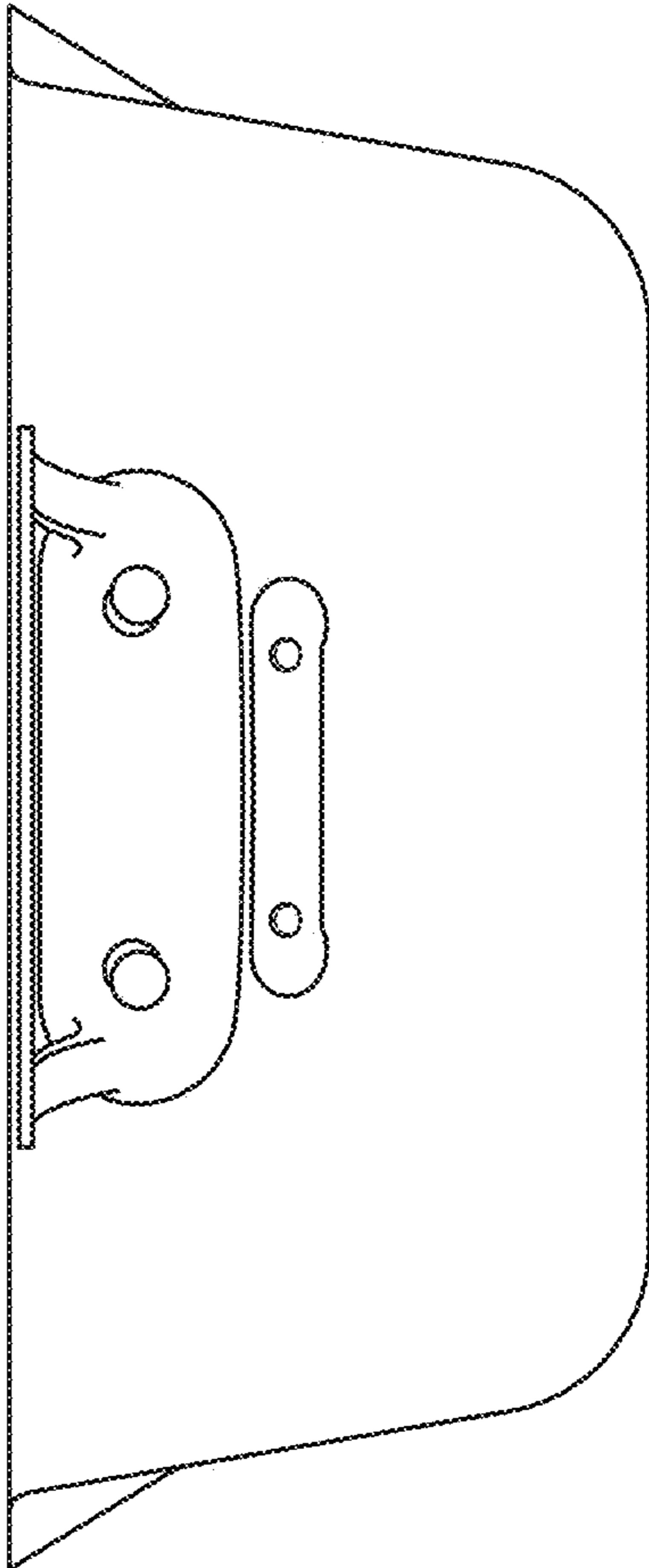


FIG. 4

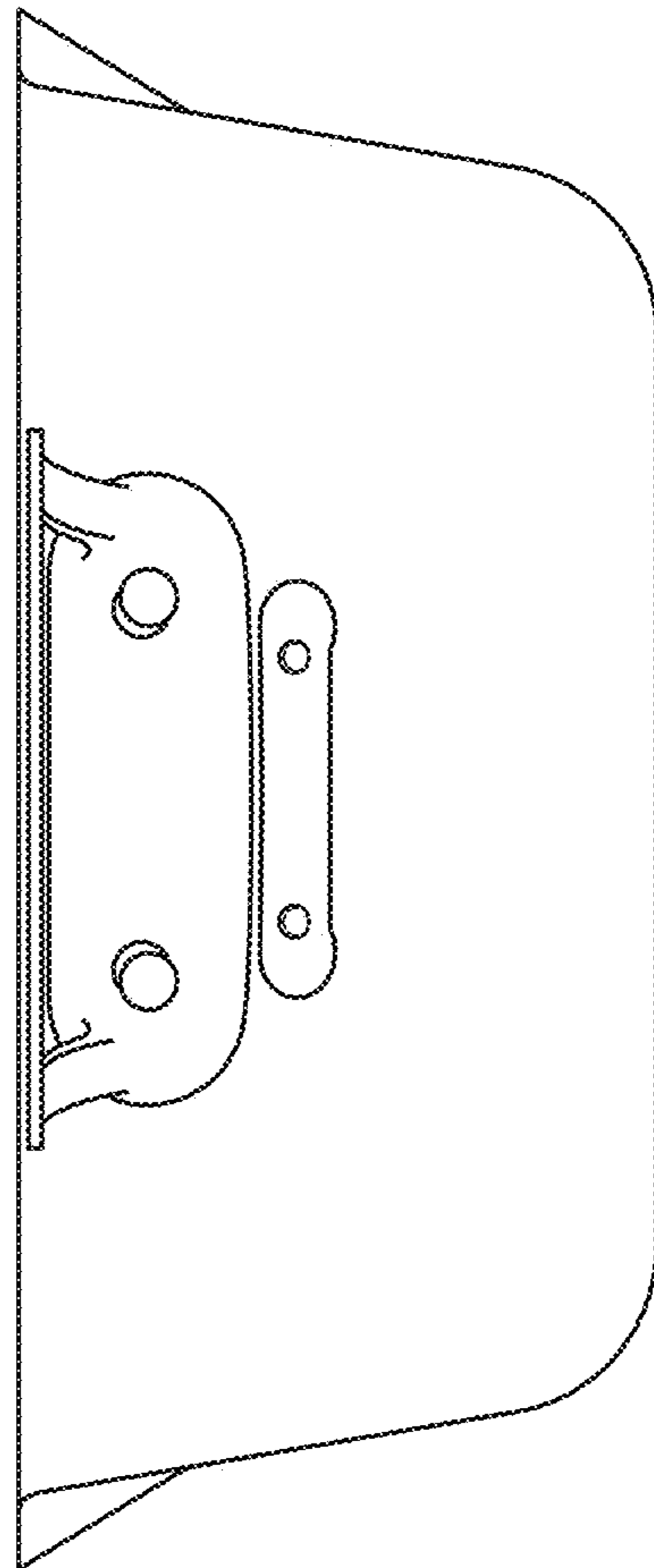


FIG. 5



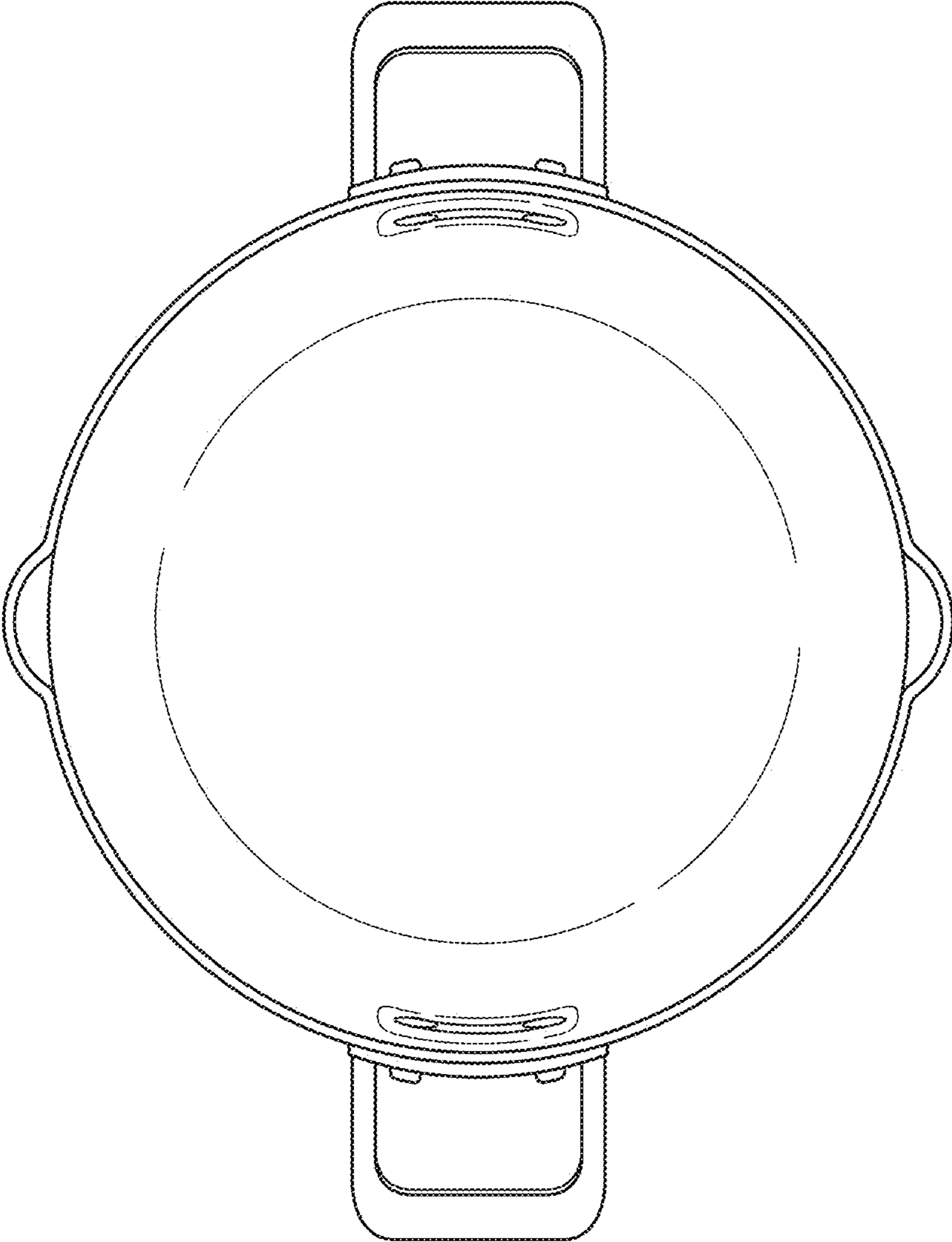


FIG. 6



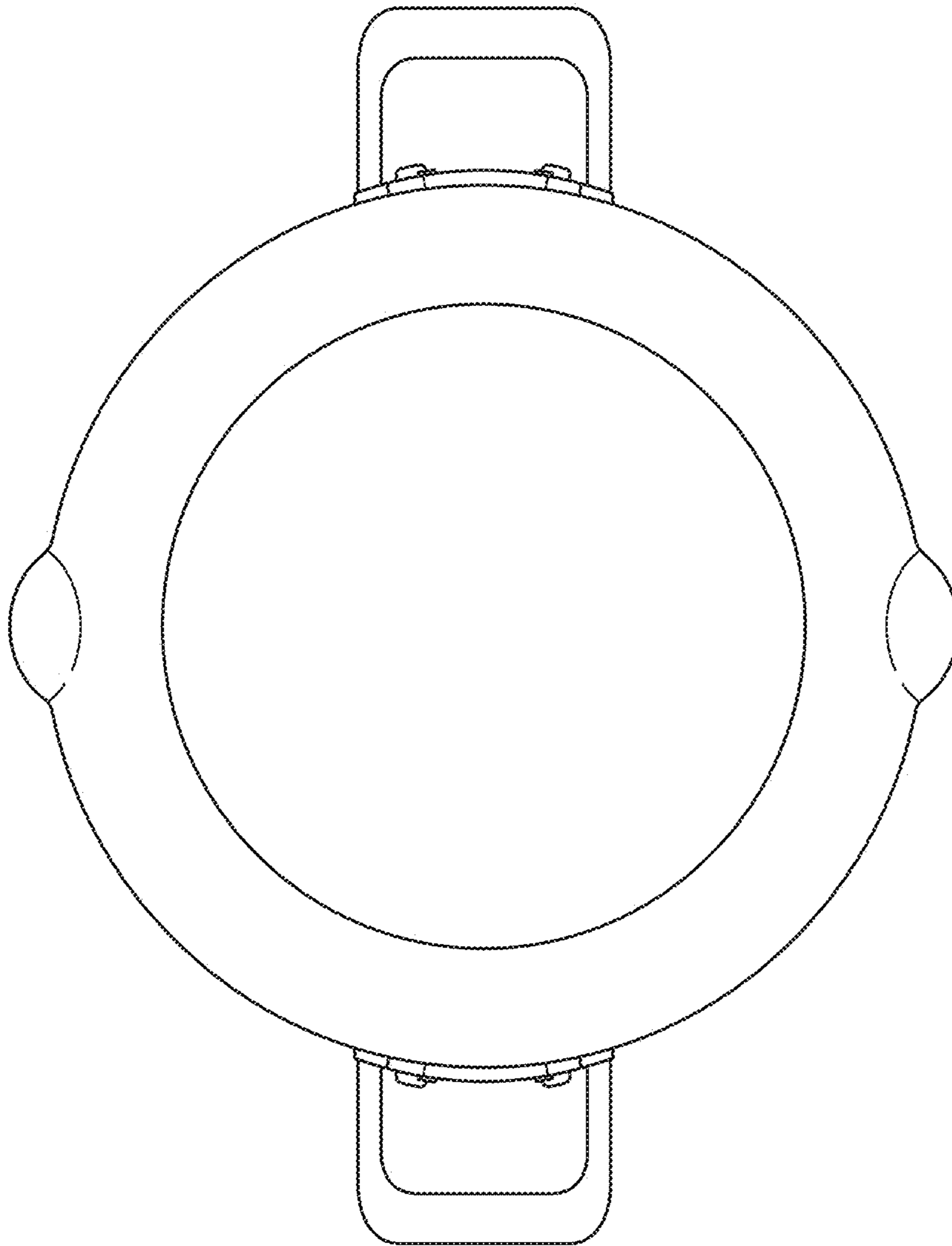


FIG. 7