



US00D880220S

(12) **United States Design Patent**  
**Chen**

(10) **Patent No.:** **US D880,220 S**  
(45) **Date of Patent:** **\*\* Apr. 7, 2020**

- (54) **AIR FRYING PAN**
- (71) Applicant: **ZHEJIANG TIANXI KITCHEN APPLIANCE CO., LTD.**, Lishui (CN)
- (72) Inventor: **Xiyan Chen**, Gaozhou (CN)
- (\*\*) Term: **15 Years**
- (21) Appl. No.: **29/654,545**
- (22) Filed: **Jun. 26, 2018**
- (51) **LOC (12) Cl.** ..... **07-02**
- (52) **U.S. Cl.**  
USPC ..... **D7/354**
- (58) **Field of Classification Search**  
USPC ..... D7/323, 326, 350.2, 354-361  
CPC ..... A23L 1/01; A23L 1/0107; A23L 1/0114;  
A47J 27/00; A47J 27/08; A47J 27/09;  
A47J 27/092; A47J 36/025; A47J 36/06;  
A47J 36/08; A47J 36/10; A47J 36/12;  
A47J 36/165; A47J 36/18; A47J 36/20;  
A47J 36/22; A47J 37/00; A47J 37/0641;  
A47J 37/12; A47J 37/1204; A47J  
37/1209; A47J 37/1214; A47J 37/1219;  
A47J 37/1266; A47J 37/1285; A47J  
37/129; A47J 37/1295; G07F 17/0064;  
G07F 17/0078; G07F 17/0085; H05B  
6/02; H05B 6/06; H05B 6/12  
See application file for complete search history.

(56) **References Cited**  
U.S. PATENT DOCUMENTS

- D489,935 S \* 5/2004 Choi ..... A47J 37/0641  
D7/354
- D611,757 S \* 3/2010 Reiner ..... A47J 37/1266  
D7/354

- D692,718 S \* 11/2013 Verbrugge ..... A47J 37/00  
D7/354
- D719,397 S \* 12/2014 Krooshof ..... D7/354
- D816,390 S \* 5/2018 Zhang ..... D7/354
- D817,698 S \* 5/2018 Liu ..... D7/361
- D820,029 S \* 6/2018 Zhang ..... D7/354
- D820,031 S \* 6/2018 Zhang ..... D7/354
- D836,381 S \* 12/2018 Moon ..... D7/354
- D839,040 S \* 1/2019 Seymour ..... D7/354
- 2014/0366746 A1 \* 12/2014 Tsai ..... A47J 37/00  
99/403
- 2017/0231430 A1 \* 8/2017 Moon ..... A47J 37/1266  
99/331
- 2017/0245686 A1 \* 8/2017 Man ..... A47J 37/0641

\* cited by examiner

*Primary Examiner* — Ricky Pham  
(74) *Attorney, Agent, or Firm* — W&K IP

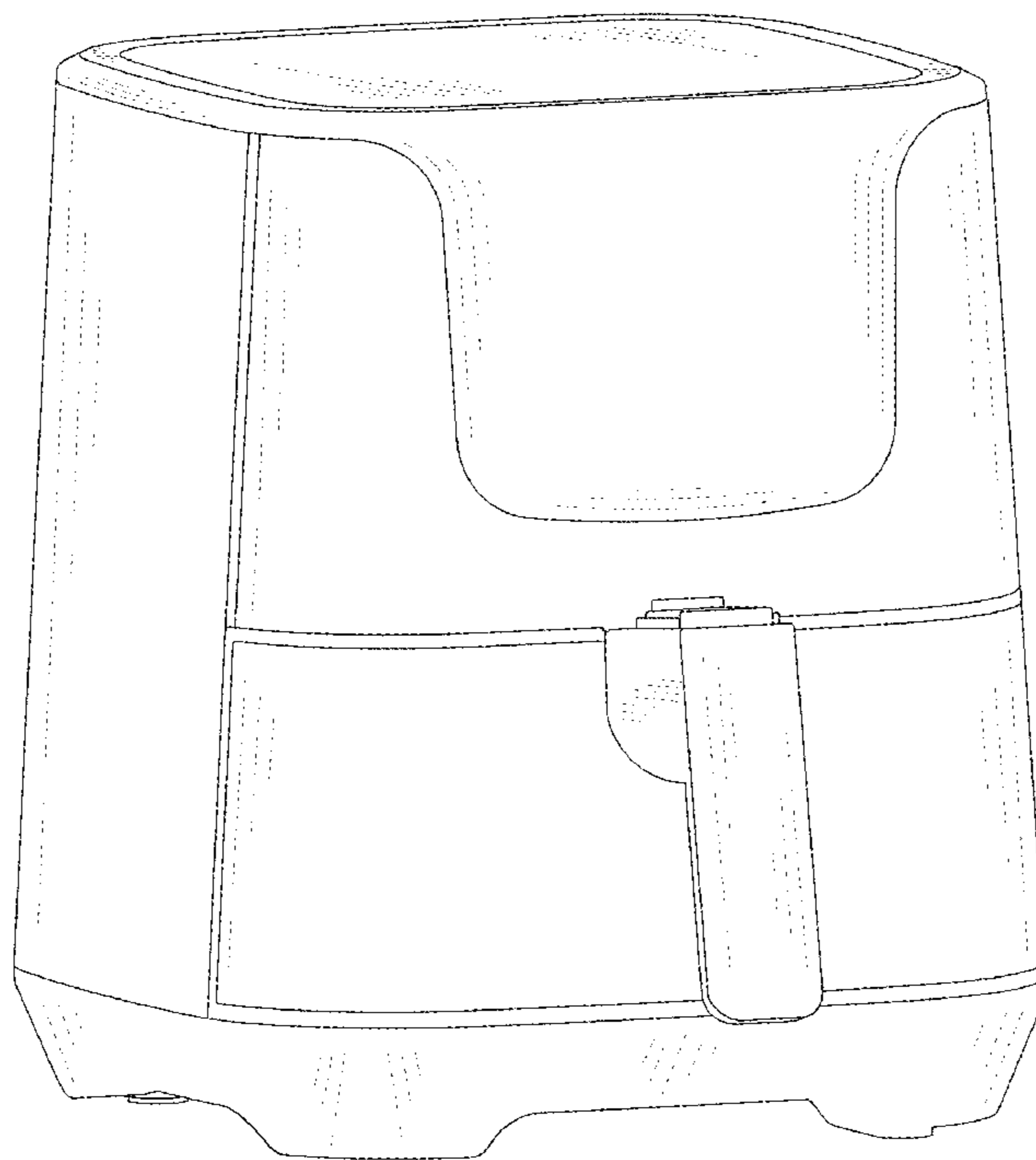
(57) **CLAIM**

The ornamental design for an air frying pan, as shown and described.

**DESCRIPTION**

FIG. 1 is a front perspective view of an air frying pan;  
FIG. 2 is a back perspective view thereof;  
FIG. 3 is a front view thereof;  
FIG. 4 is a back view thereof;  
FIG. 5 is a left side view thereof;  
FIG. 6 is a right side view thereof;  
FIG. 7 is a top plan view thereof; and,  
FIG. 8 is a bottom plan view thereof.  
The portions of the article shown in broken lines form no part of the claimed design.

**1 Claim, 8 Drawing Sheets**



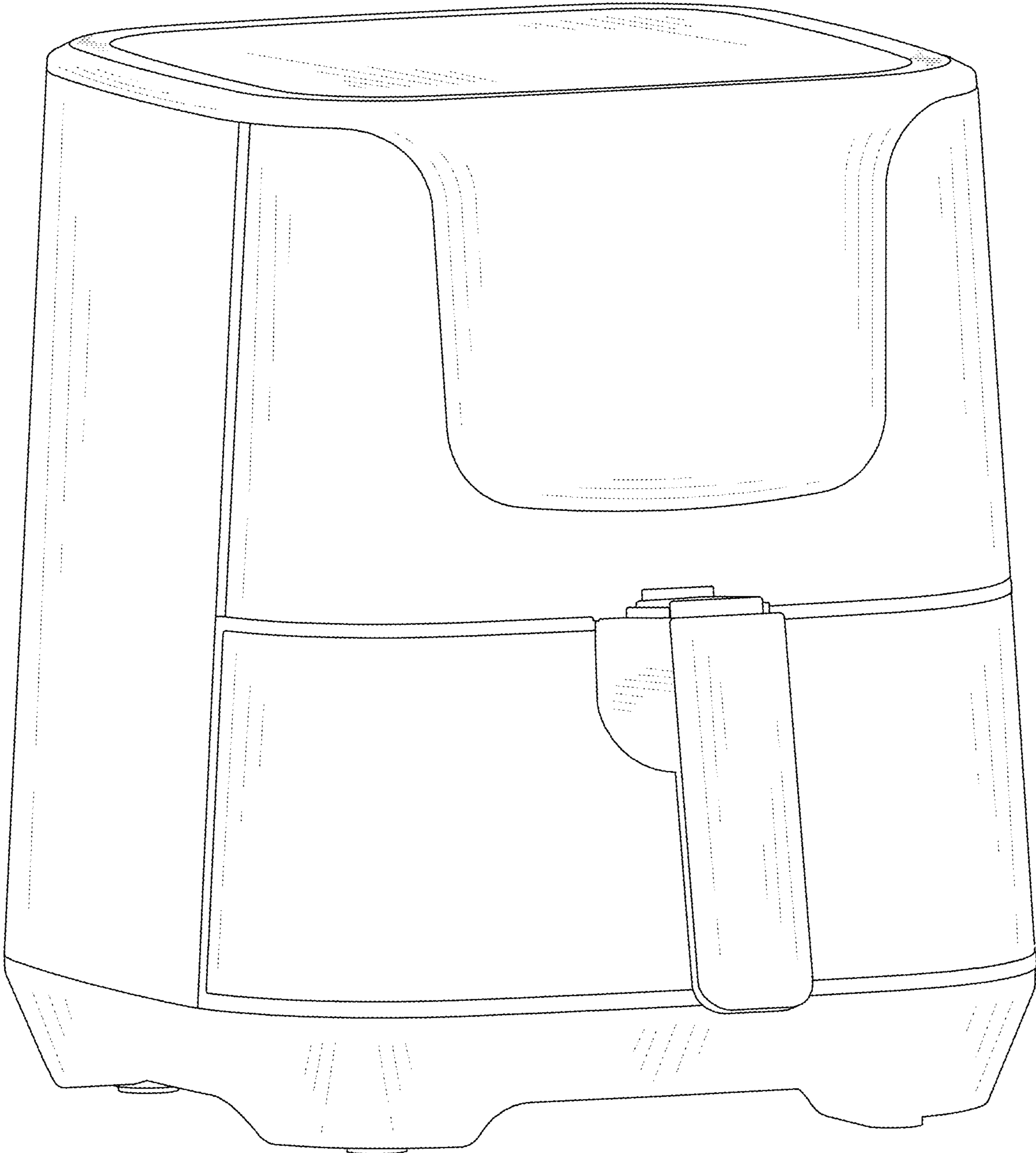


FIG.1

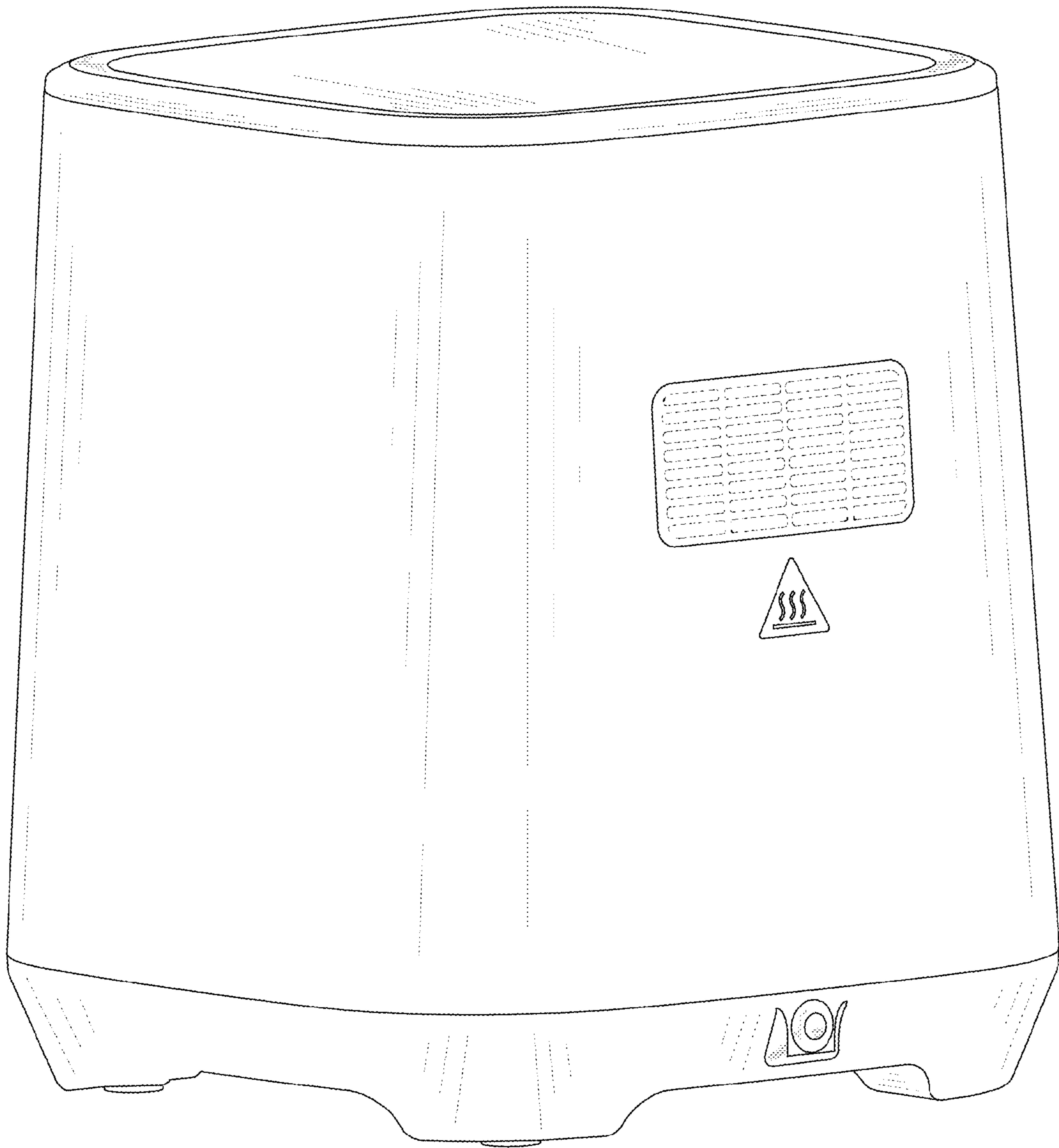


FIG. 2

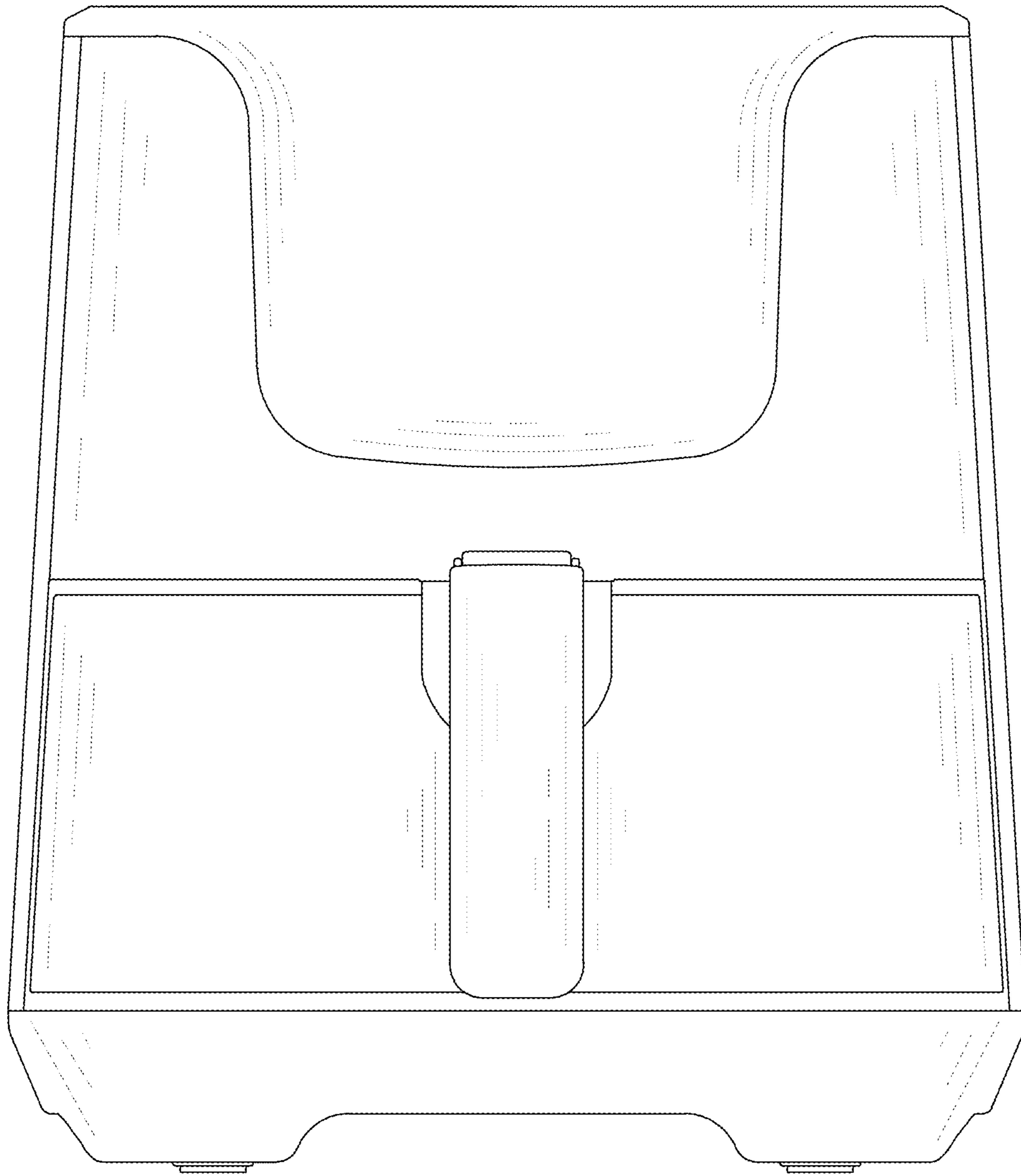


FIG.3

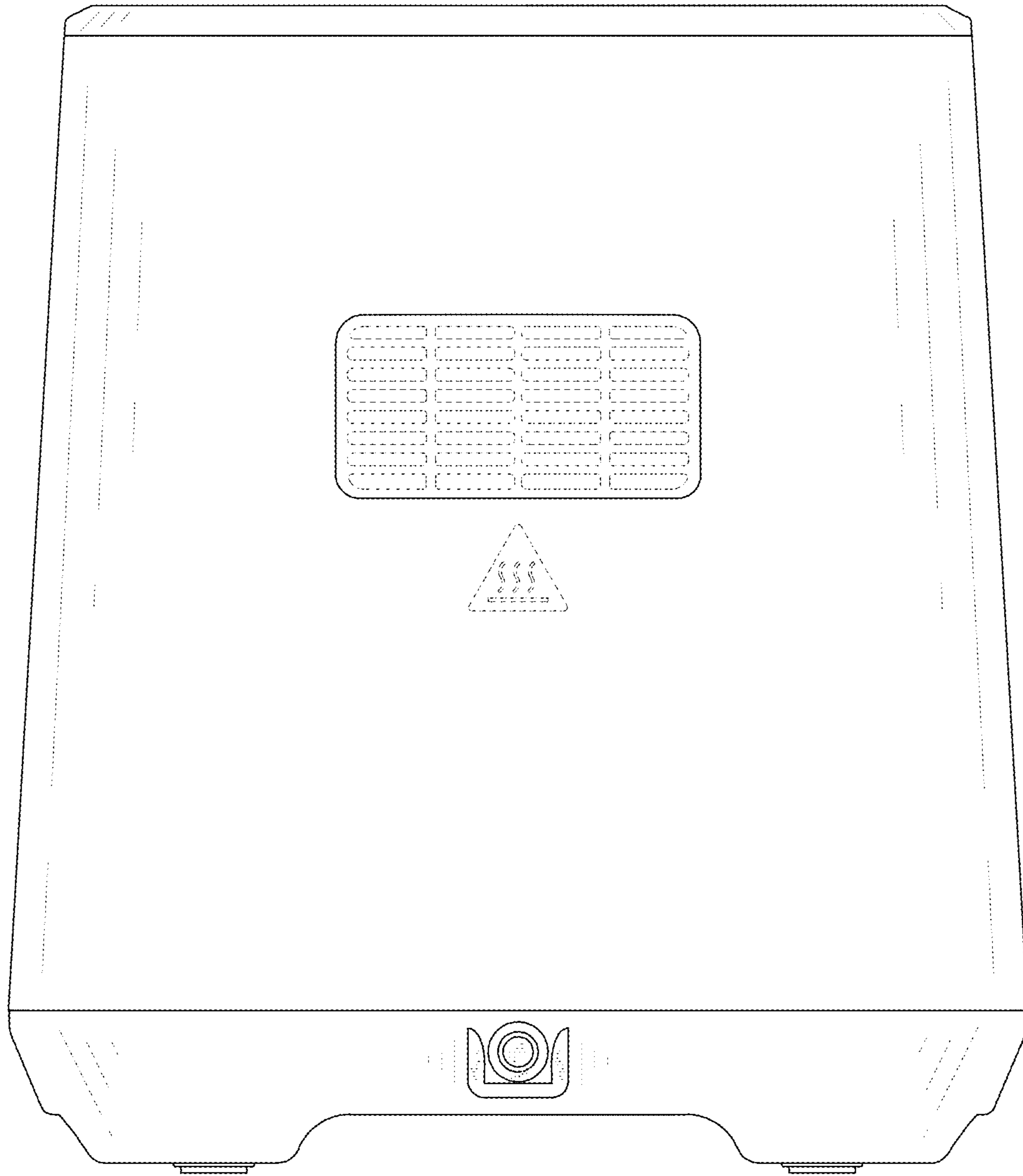


FIG. 4

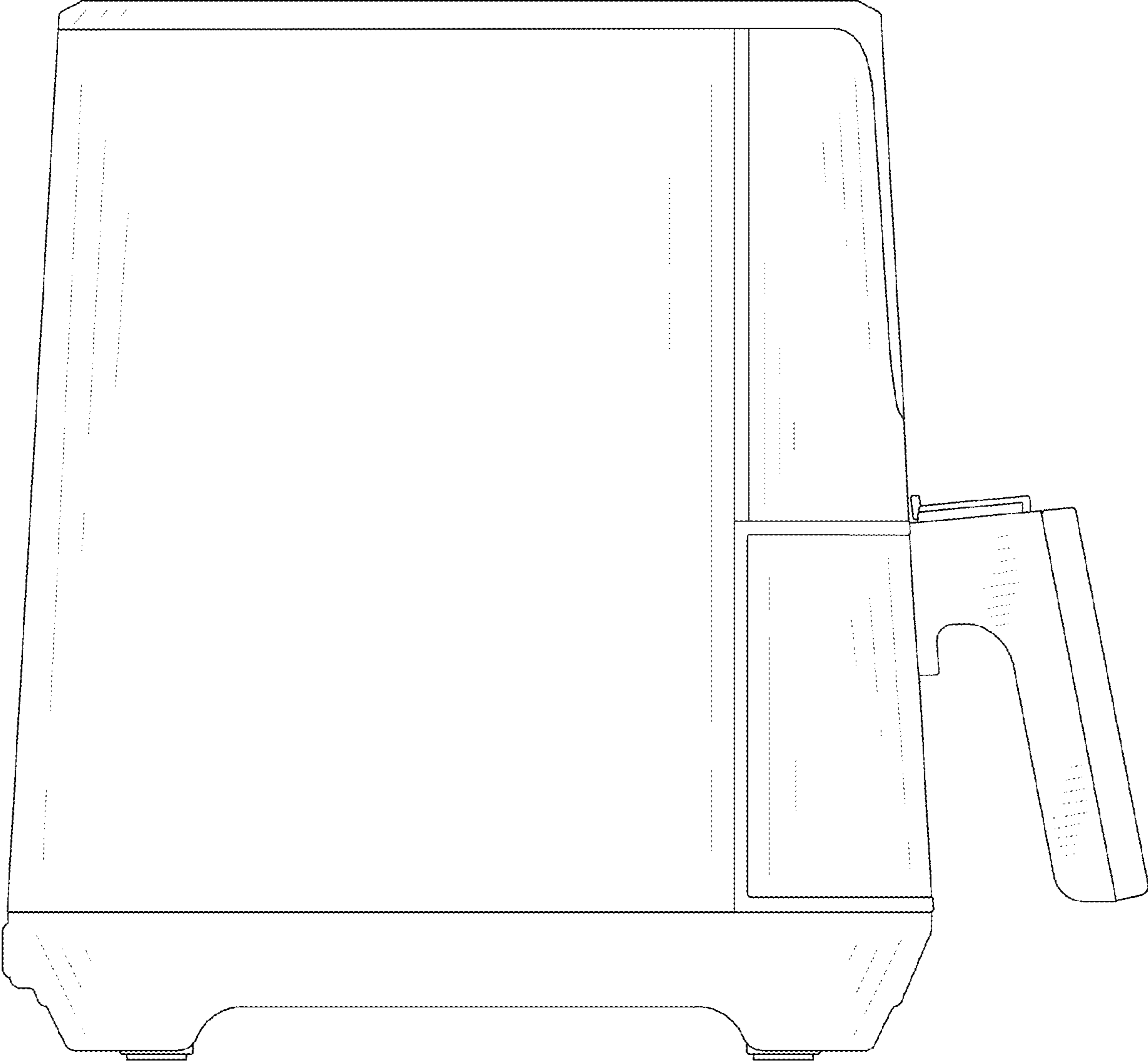


FIG. 5

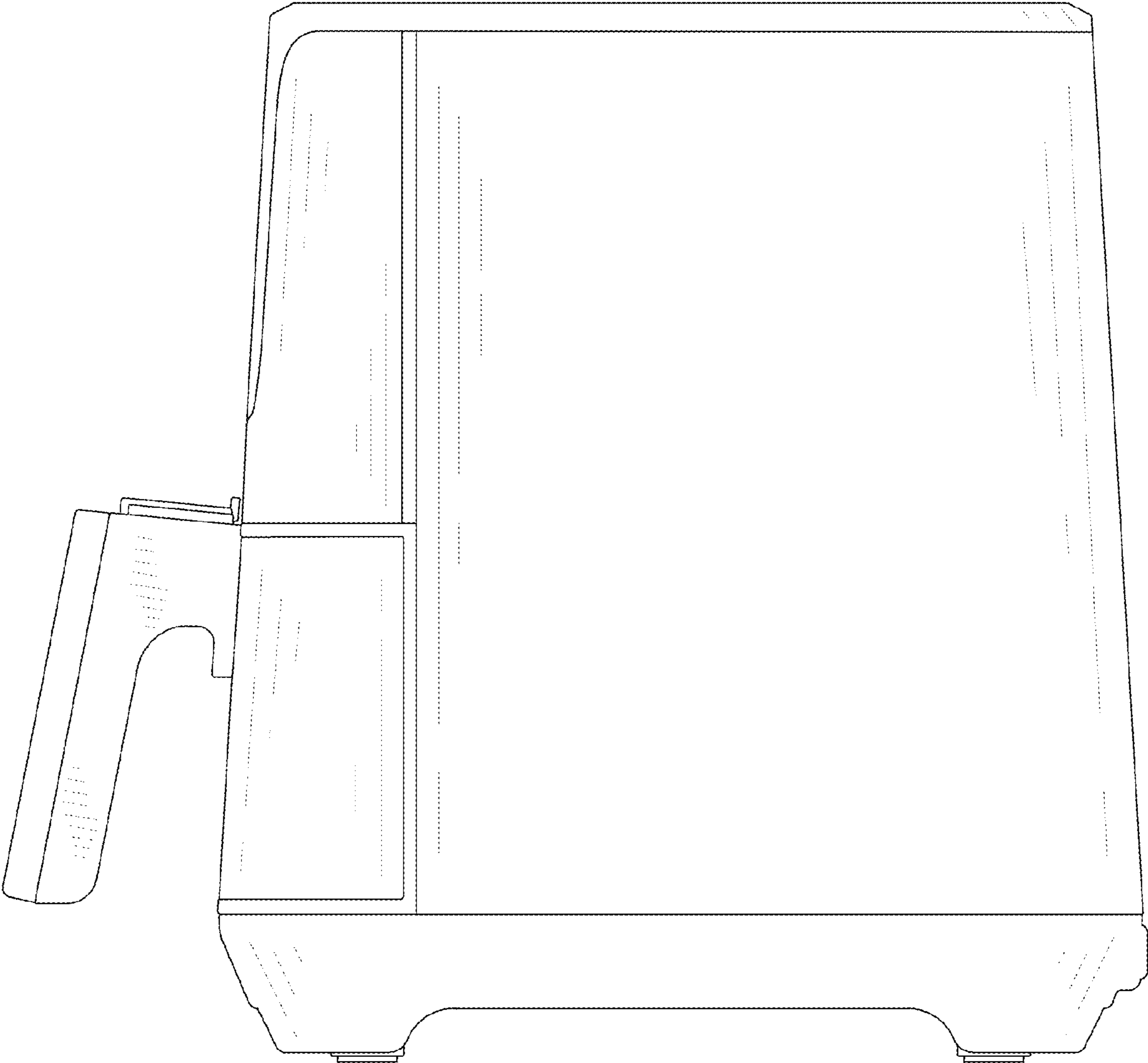


FIG. 6

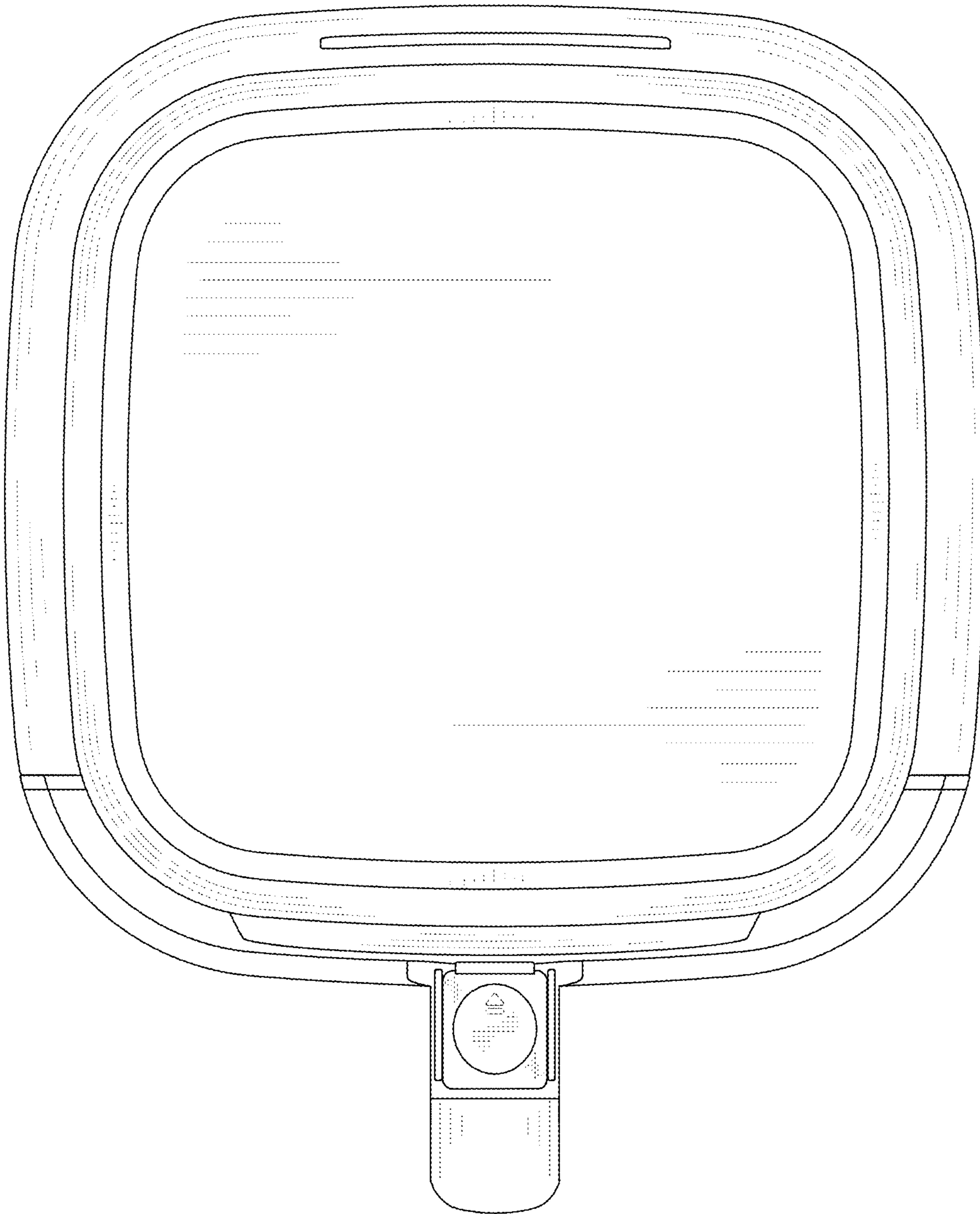


FIG. 7



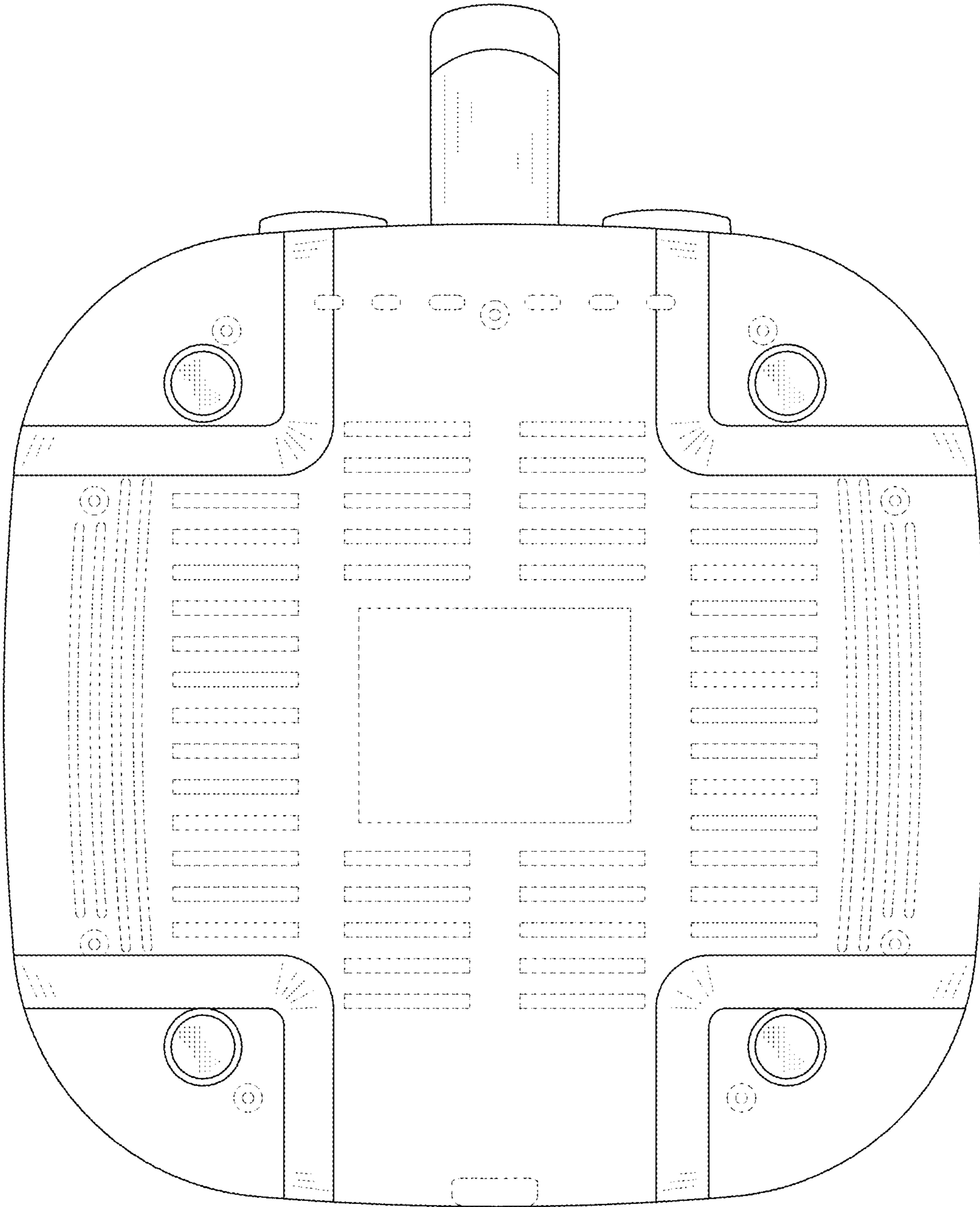


FIG. 8