



US00D880219S

(12) **United States Design Patent**
Yizhaki

(10) **Patent No.:** **US D880,219 S**
(45) **Date of Patent:** **** Apr. 7, 2020**

- (54) **BAKING PAN LOCK**
- (71) Applicant: **RL RND and IP Holdings Ltd.,**
Ningbo (CN)
- (72) Inventor: **Yaniv Yizhaki,** Ramat-Poleg (IL)
- (73) Assignee: **RL RND and IP Holdings Ltd.,**
Ningbo (CN)
- (**) Term: **15 Years**
- (21) Appl. No.: **29/644,312**
- (22) Filed: **Apr. 17, 2018**
- (51) **LOC (12) Cl.** **07-02**
- (52) **U.S. Cl.**
USPC **D7/354**
- (58) **Field of Classification Search**
USPC D7/323, 337, 354–361, 543, 545, 549,
D7/550.1, 553.1–553.8, 554.1–554.4, 555,
D7/584, 586; D9/430–433, 455–456,
D9/737, 756–762
CPC A21B 3/00; A21B 3/13; A21B 3/15; A21B
3/134; A21B 3/137; A21B 5/00; A21B
5/02; A47J 36/022; A47J 36/025; A47J
36/027; A47J 36/04; A47J 36/10; A47J
37/00; A47J 37/04; B28B 7/168; B65D
1/22; B65D 1/24; B65D 1/34; B65D
1/36; B65D 81/343; B65D 85/36
See application file for complete search history.

- (56) **References Cited**
U.S. PATENT DOCUMENTS
572,509 A * 12/1896 Wilson B28B 7/168
249/144
1,698,929 A * 1/1929 Wentorf A47J 36/10
220/318
1,734,328 A * 11/1929 Conry A21B 3/13
99/433

- 4,644,858 A * 2/1987 Liotto A21B 3/137
219/725
- 4,998,000 A * 3/1991 Halloran A47J 36/027
16/425
- 5,768,980 A * 6/1998 Degen A21B 3/137
99/426
- D622,539 S * 8/2010 Simon D7/354
- D662,761 S * 7/2012 Wahl D7/354
- 9,220,277 B1 * 12/2015 Allen A47J 36/04
- D788,518 S * 6/2017 Aggarwal D7/360
- D818,302 S * 5/2018 Magee D7/337
- D830,100 S * 10/2018 Mirchandani D7/354
- 2012/0024865 A1 * 2/2012 Riedl A21B 3/137
220/573.1

* cited by examiner

Primary Examiner — Ricky Pham
(74) *Attorney, Agent, or Firm* — Mark M. Friedman

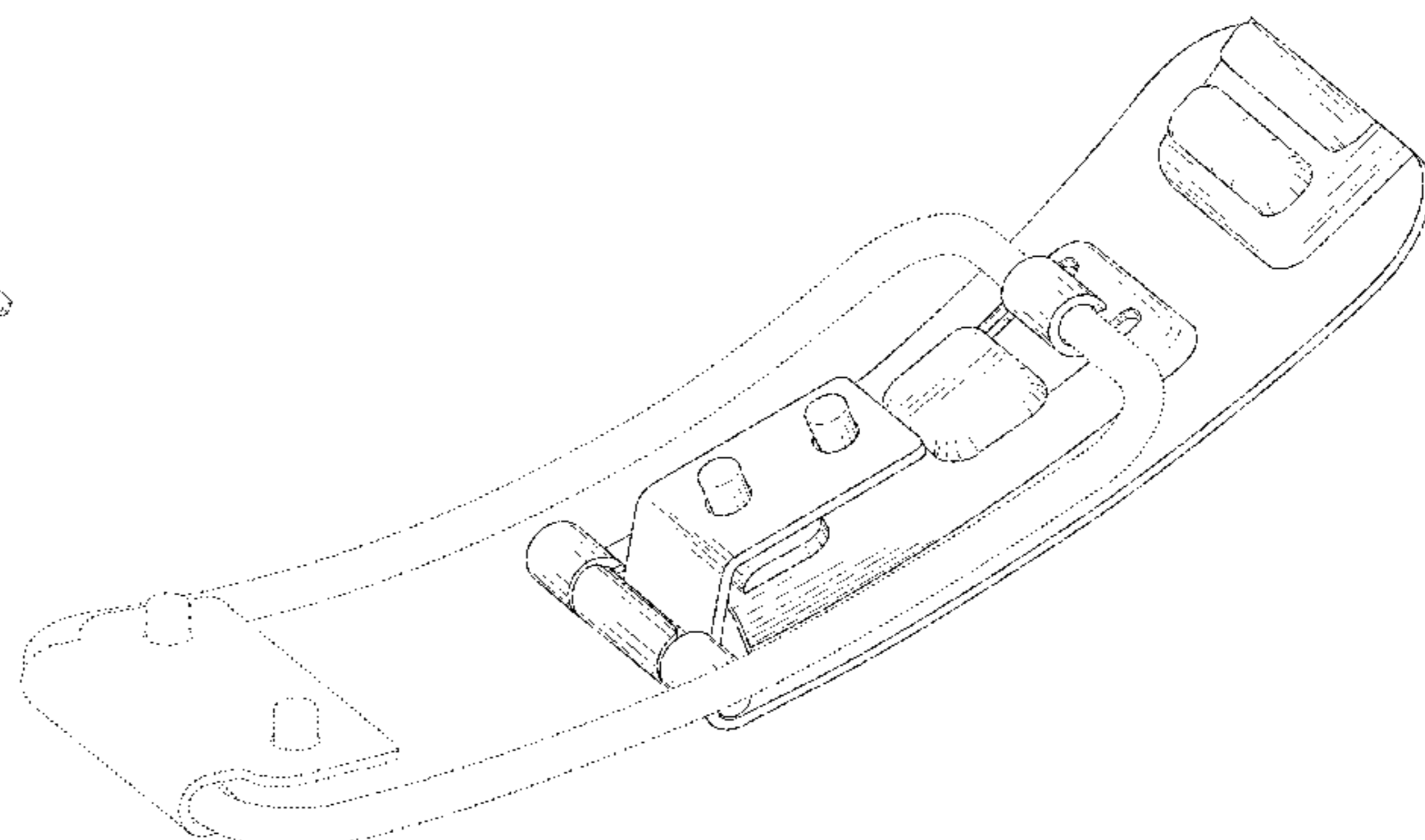
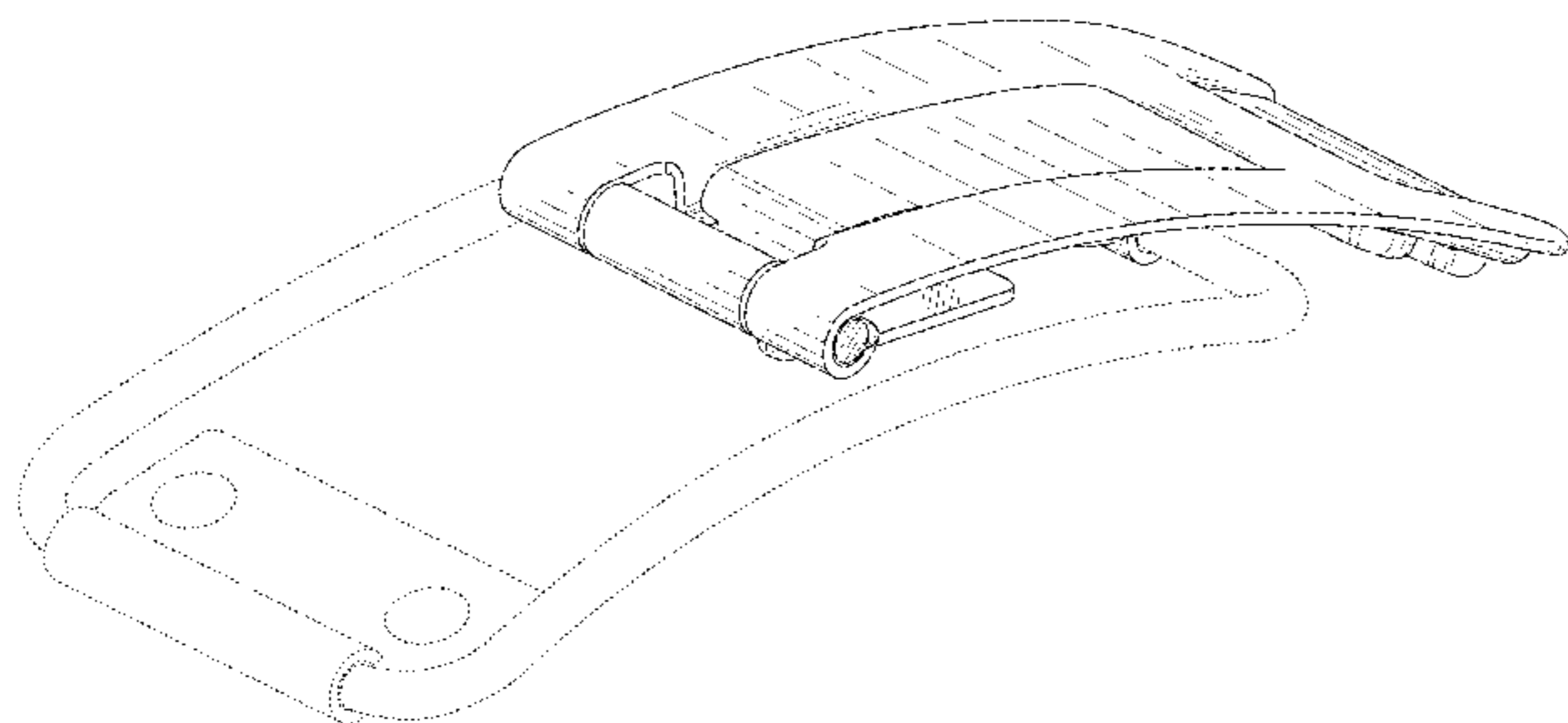
(57) **CLAIM**

The ornamental design for a baking pan lock, as shown and described.

DESCRIPTION

FIG. 1 is a front view of a baking pan lock showing my design;
 FIG. 2 is a rear view thereof;
 FIG. 3 is a top view thereof;
 FIG. 4 is a bottom view thereof;
 FIG. 5 is a left side view thereof;
 FIG. 6 is a right side view thereof;
 FIG. 7 is a front perspective view thereof;
 FIG. 8 is a rear perspective view thereof; and,
 FIG. 9 is a front view thereof applied to a baking pan.
 The broken lines shown in FIGS. 1, 2, 3, 4, 5, 6, 7 and 8 are for the purpose of illustrating portions of the baking pan lock and form no part of the claimed design.
 The baking pan is shown in broken lines in FIG. 9 for illustrative purposes only and forms no part of the claimed design.

1 Claim, 7 Drawing Sheets



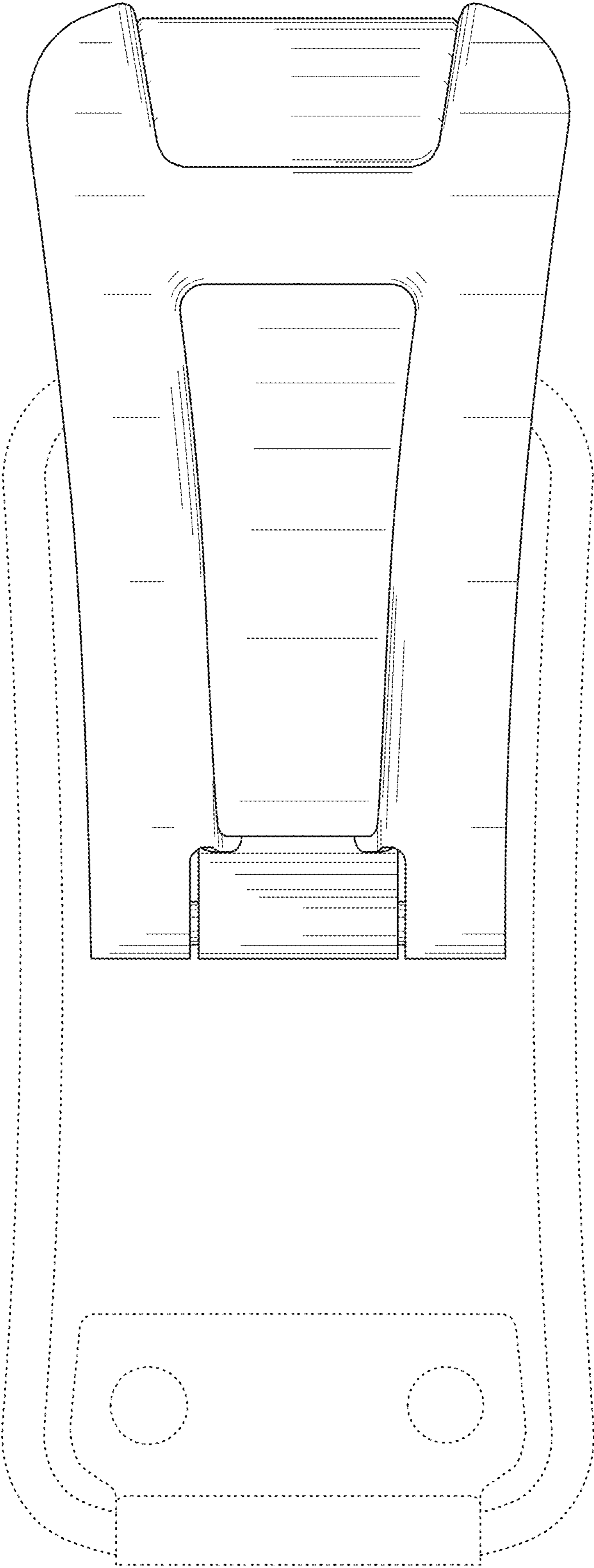


FIG. 1

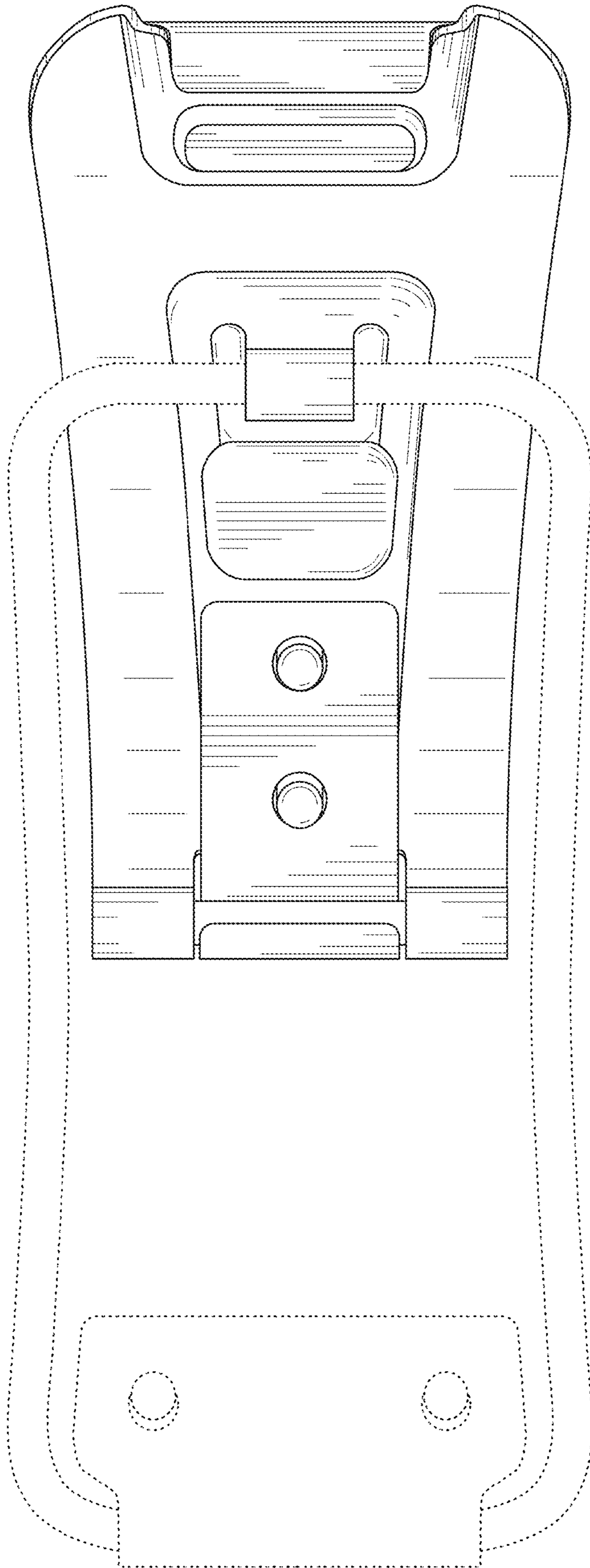


FIG. 2

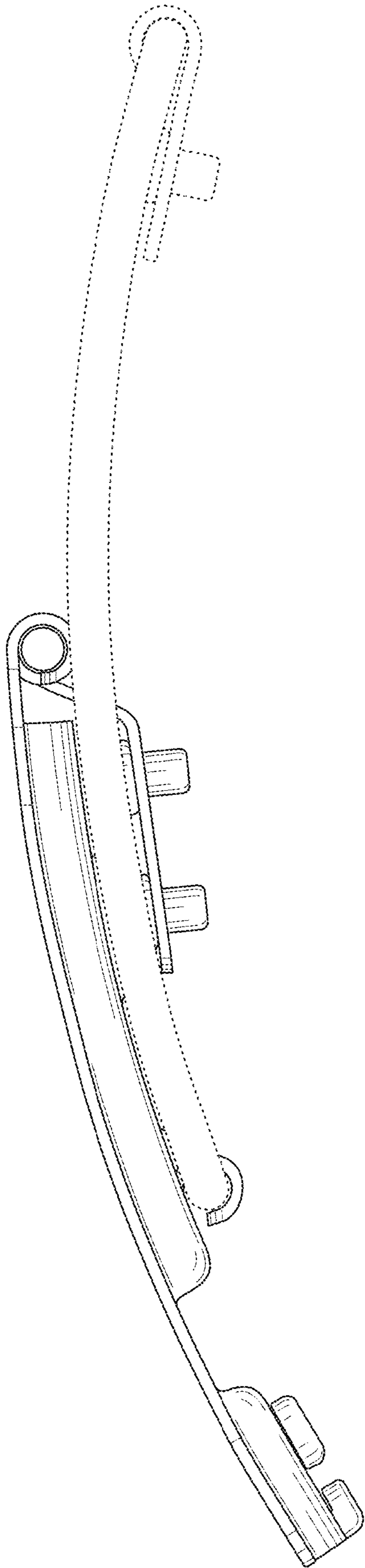


FIG. 3

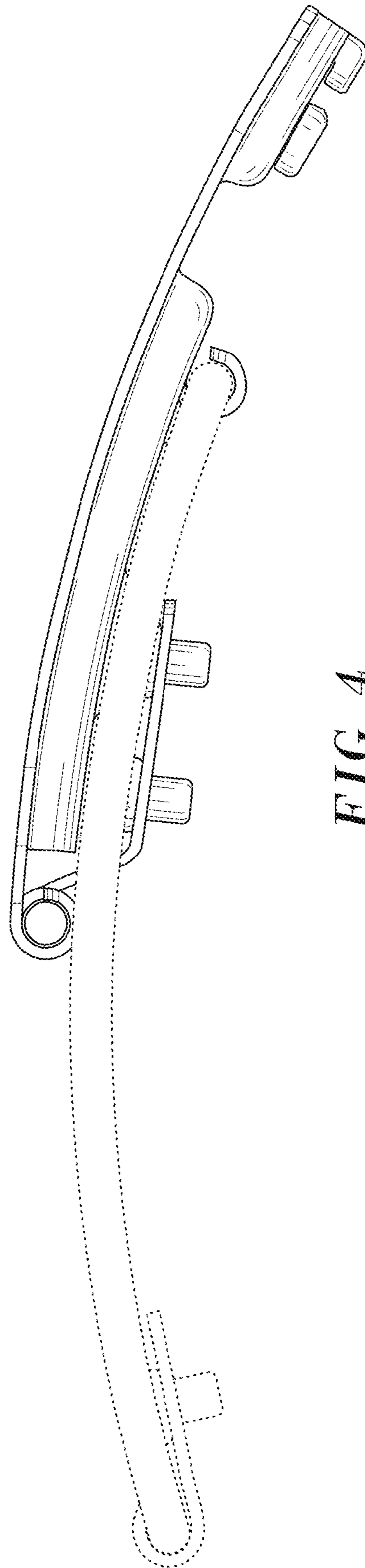


FIG. 4

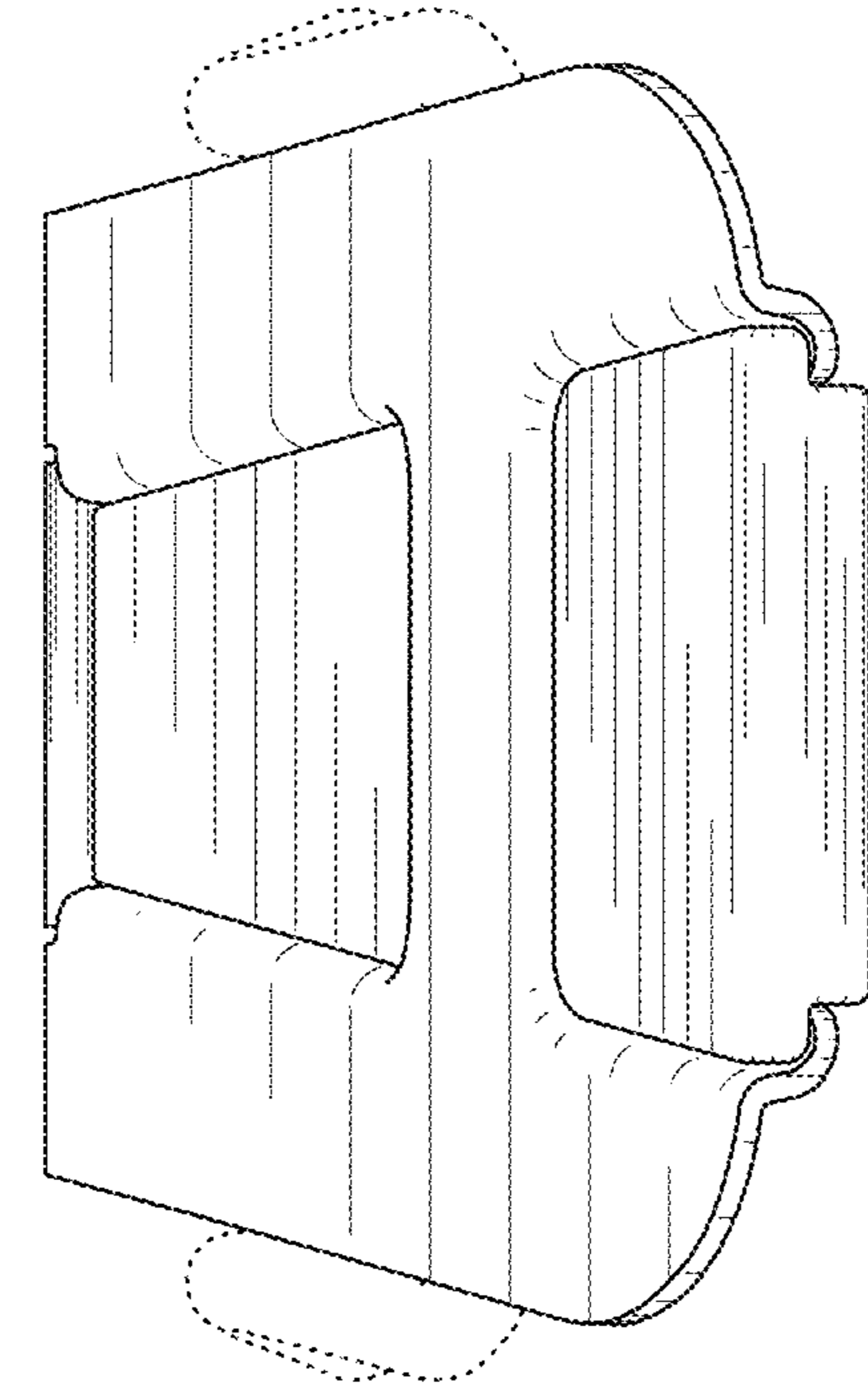


FIG. 6

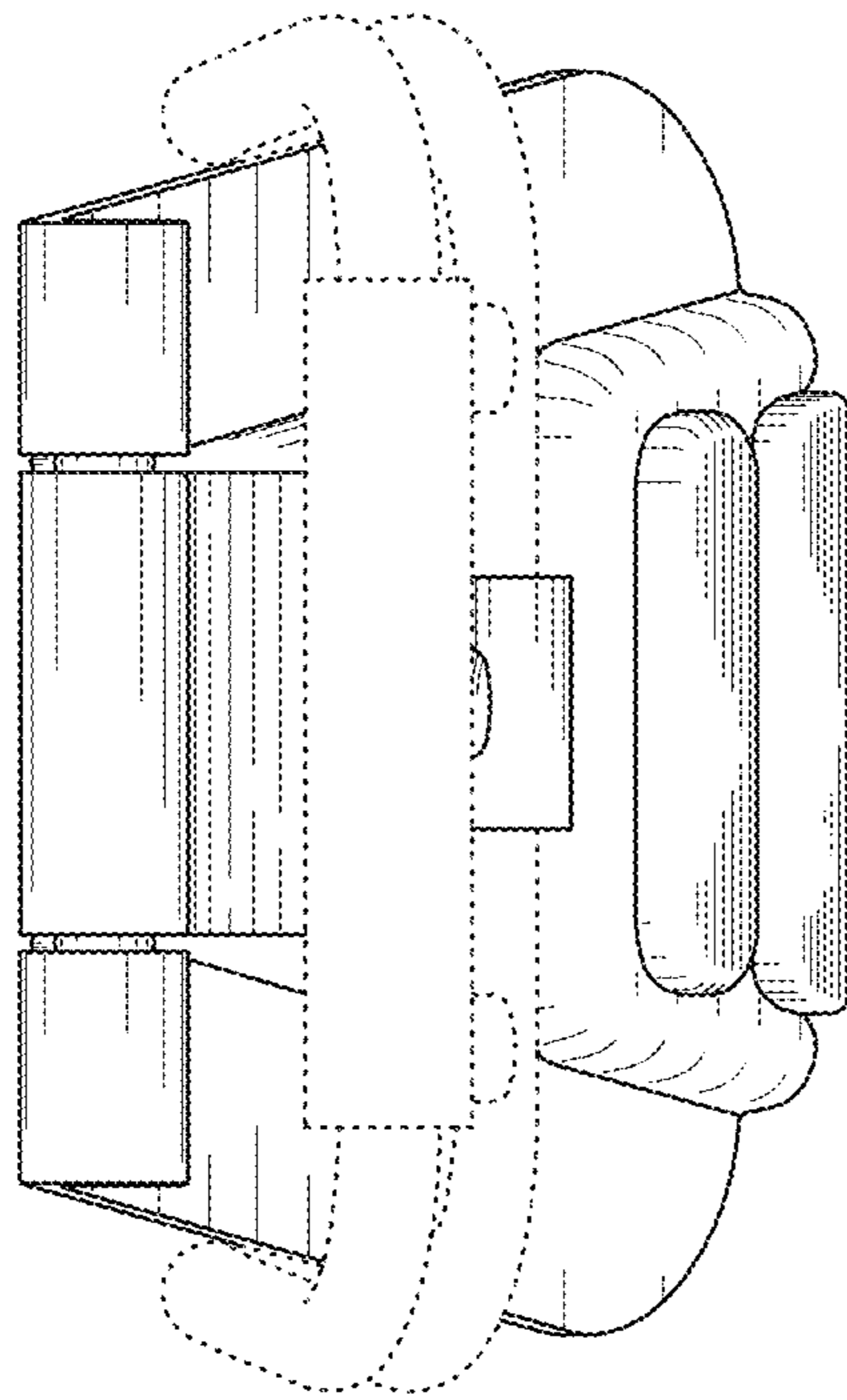


FIG. 5

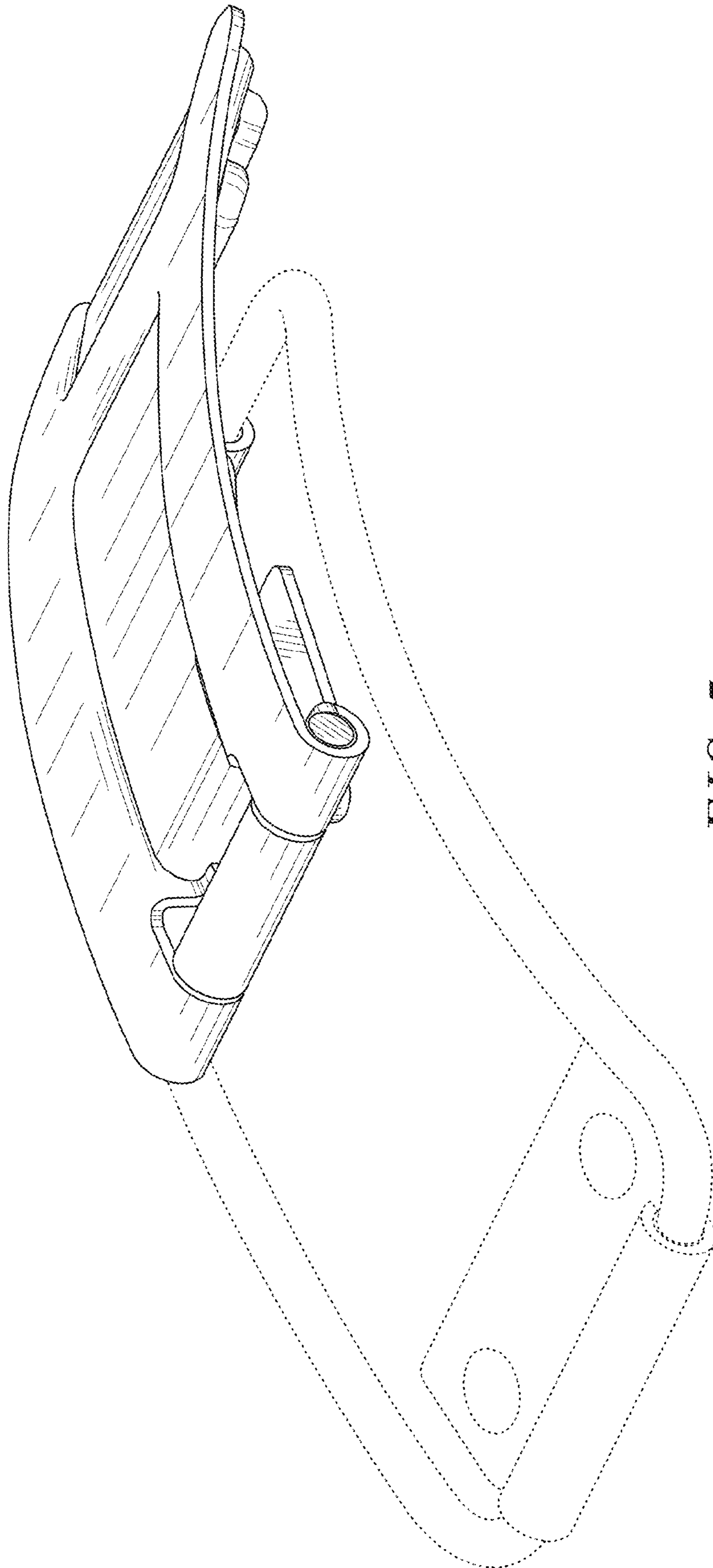
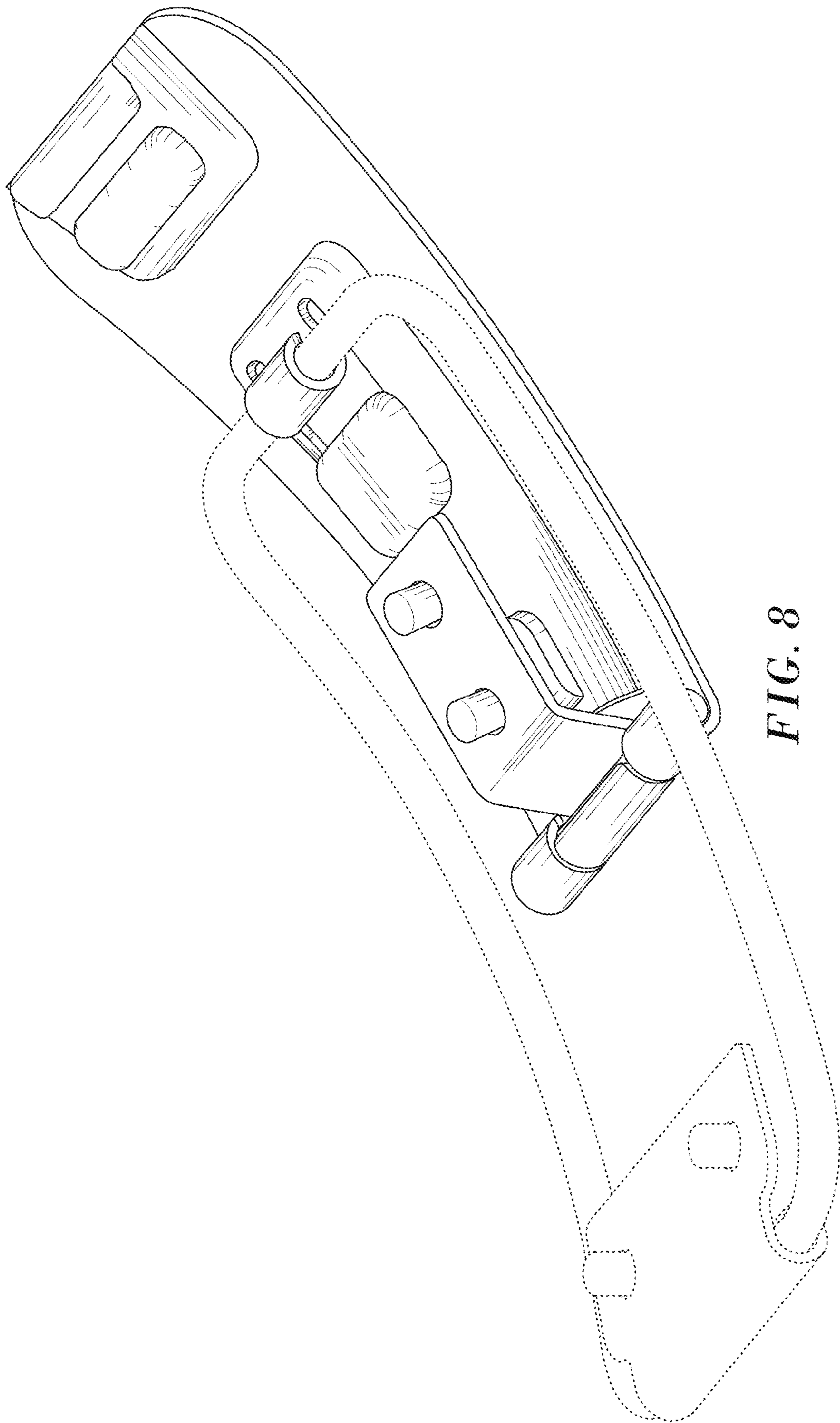


FIG. 7



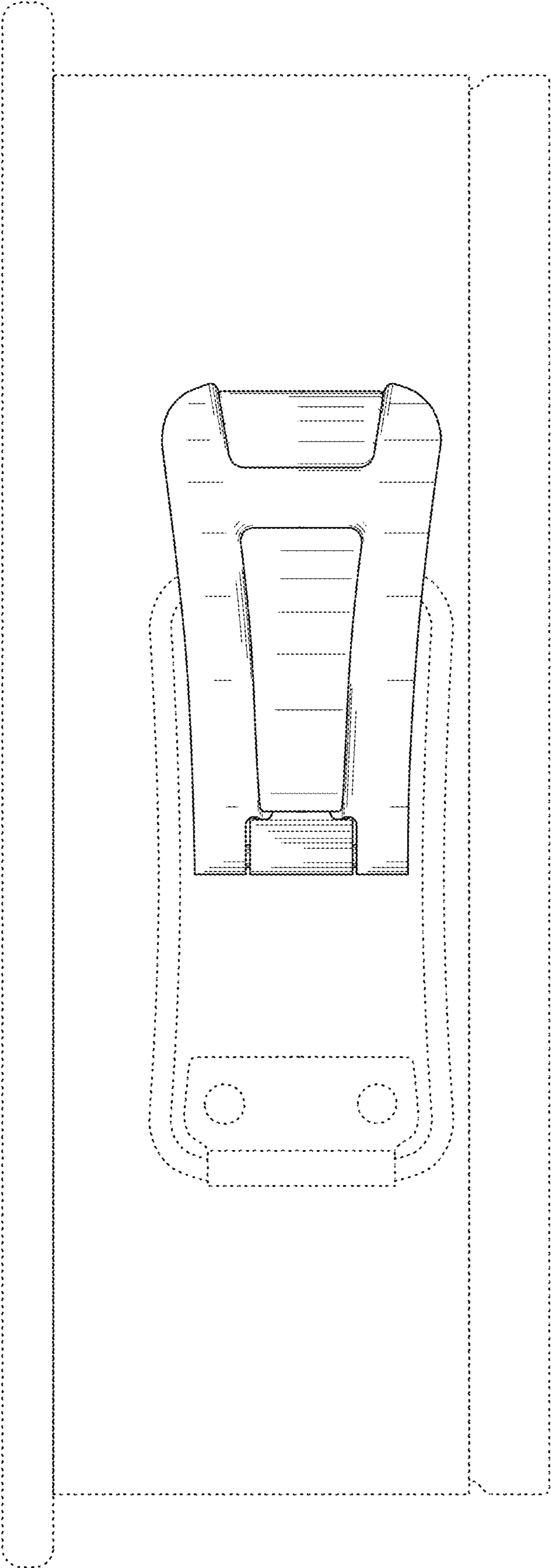


FIG. 9