



US00D880217S

(12) **United States Design Patent**
Tseng et al.

(10) **Patent No.:** **US D880,217 S**
(45) **Date of Patent:** **** Apr. 7, 2020**

(54) **KILN**

F24C 7/067; F24C 15/02; F24C 15/04;
F24C 15/10; F24C 15/102

(71) Applicants: **NATIONAL CHUNG-SHAN
INSTITUTE OF SCIENCE &
TECHNOLOGY**, Taoyuan (TW); **TEN
WING SCIENTIFIC CO., LTD.**,
Taichung (TW)

See application file for complete search history.

(72) Inventors: **Hsi-Ming Tseng**, Taoyuan (TW);
Li-Chih Liao, Taichung (TW)

(56) **References Cited**

(73) Assignees: **NATIONAL CHUNG-SHAN
INSTITUTE OF SCIENCE &
TECHNOLOGY**, Taoyuan (TW); **TEN
WING SCIENTIFIC CO., LTD.**,
Taichung (TW)

U.S. PATENT DOCUMENTS

(**) Term: **15 Years**

D344,871	S	*	3/1994	Keller	D7/348
5,315,922	A	*	5/1994	Keller	A47J 36/06 126/273 R
D577,947	S	*	10/2008	Wimmer	D7/350.1
D640,499	S	*	6/2011	King	D7/348
D693,166	S	*	11/2013	Measom	D7/350.1
D693,174	S	*	11/2013	Measom	D7/402
D775,489	S	*	1/2017	Zemel	D7/332
D845,055	S	*	4/2019	Goodwin	D7/323
D845,695	S	*	4/2019	Wu	D7/334
D849,466	S	*	5/2019	Formisano	D7/348
D849,908	S	*	5/2019	Wu	D23/343
D862,970	S	*	10/2019	Moretti	D7/339
2018/0110367	A1	*	4/2018	Baker	A47J 37/0786

(21) Appl. No.: **29/654,756**

* cited by examiner

(22) Filed: **Jun. 27, 2018**

Primary Examiner — Ricky Pham

(30) **Foreign Application Priority Data**

(74) *Attorney, Agent, or Firm* — Muncy, Geissler, Olds & Lowe, PC

Dec. 27, 2017 (TW) 106307602

(51) **LOC (12) Cl.** **07-02**

(52) **U.S. Cl.**
USPC **D7/348**

(58) **Field of Classification Search**
USPC D7/323, 328–332, 334, 339–349, 350.1,
D7/390, 402–406; D8/300–306;
D23/343

CPC ... A21B 2/00; A47J 36/06; A47J 37/00; A47J
37/06; A47J 37/0611; A47J 37/0786;
A47J 37/08; A47J 37/0807; A47J
37/0814; A47J 37/0835; A47J 37/0842;
A47J 37/085; A47J 37/0864; A47J
37/0878; A47J 37/0885; A47J 37/0892;
F24C 7/00; F24C 7/002; F24C 7/046;

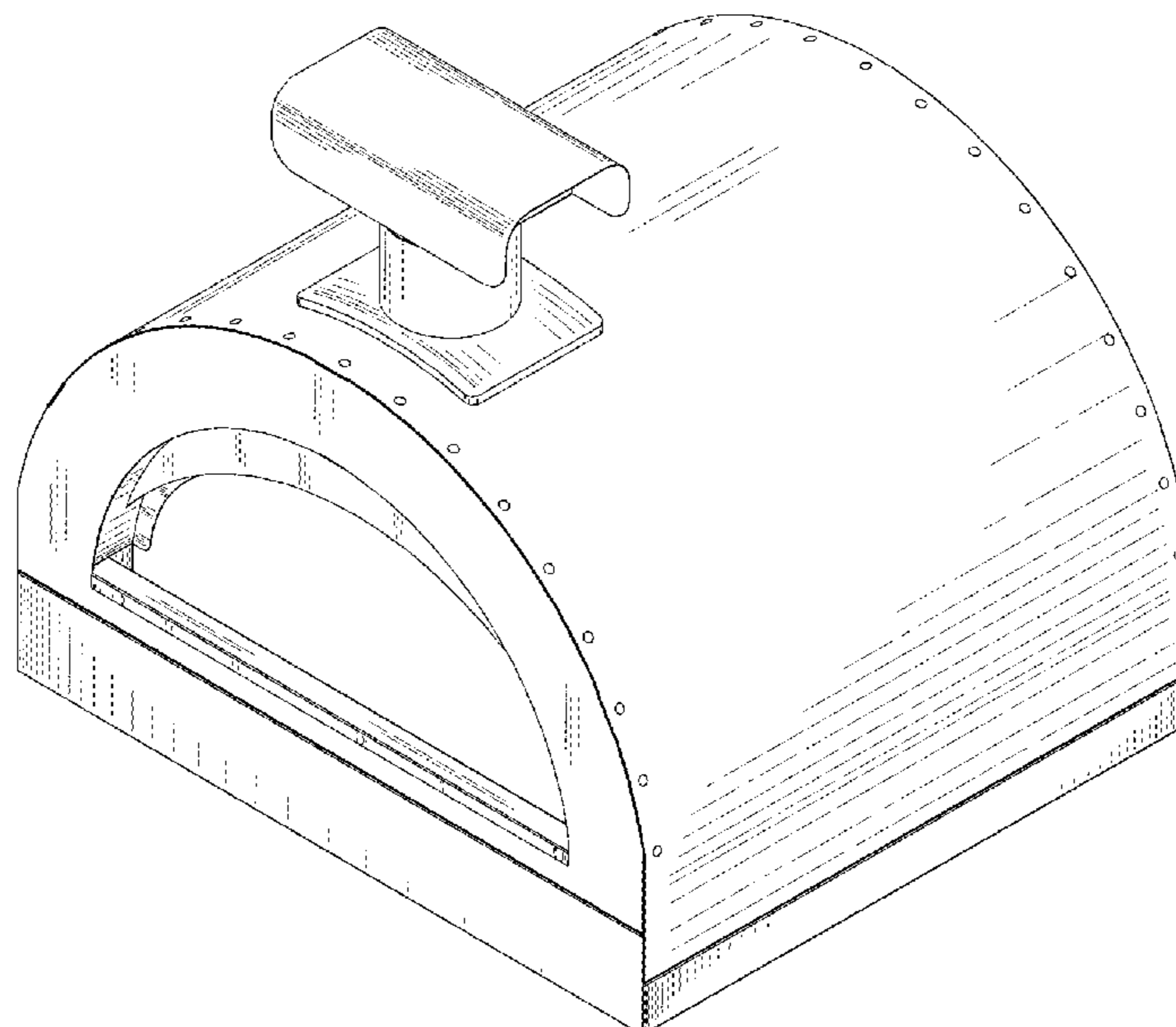
(57) **CLAIM**

The ornamental design for a kiln which is utilized for baking food, as shown and described.

DESCRIPTION

FIG. 1 is a perspective view of a kiln showing the new design;
FIG. 2 is a front view of the kiln of FIG. 1;
FIG. 3 is a rear view of the kiln of FIG. 1;
FIG. 4 is a left view of the kiln of FIG. 1;
FIG. 5 is a right view of the kiln of FIG. 1;
FIG. 6 is a top view of the kiln of FIG. 1; and,
FIG. 7 is a bottom view of the kiln of FIG. 1.

1 Claim, 7 Drawing Sheets



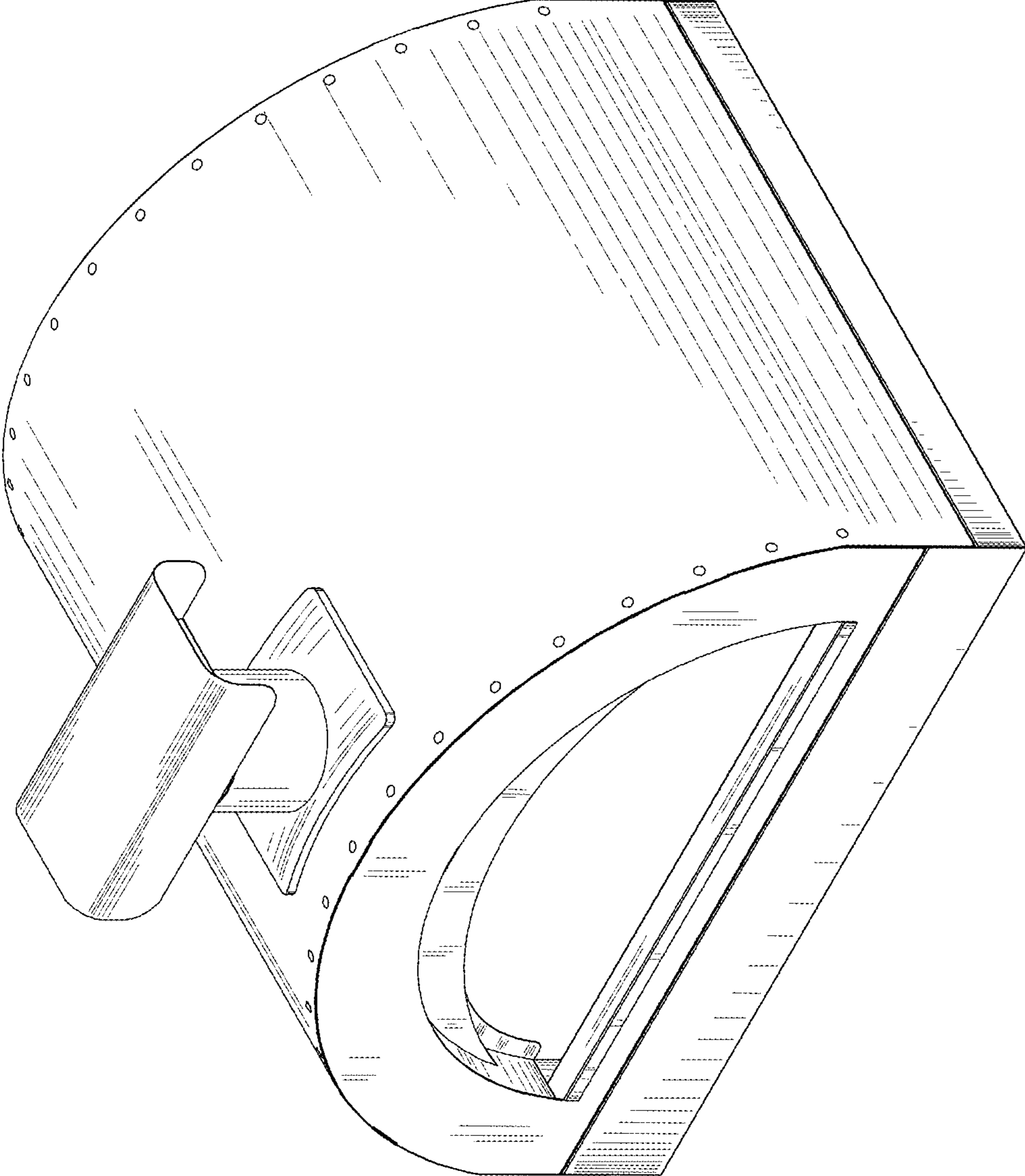


FIG. 1

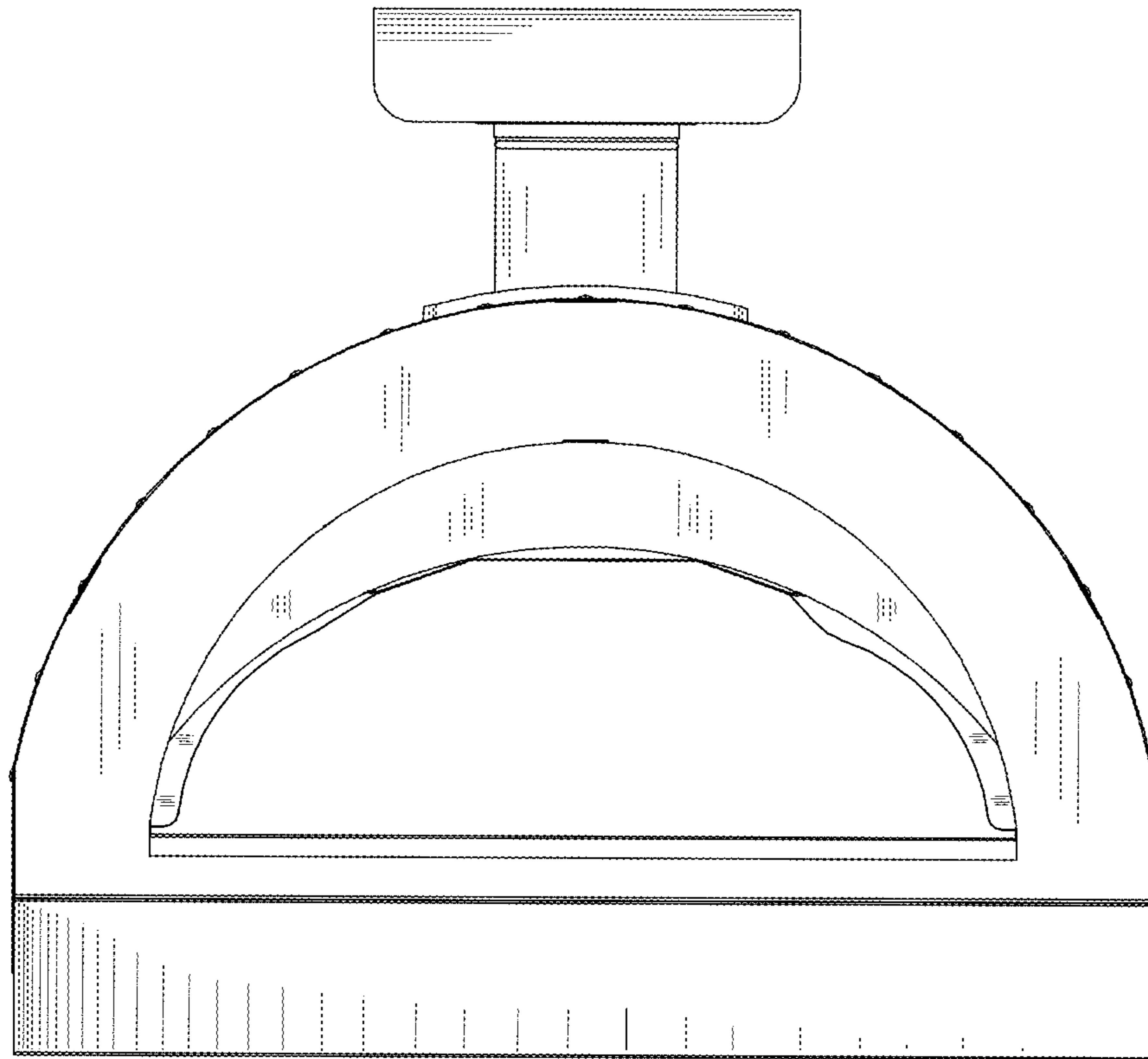


FIG. 2

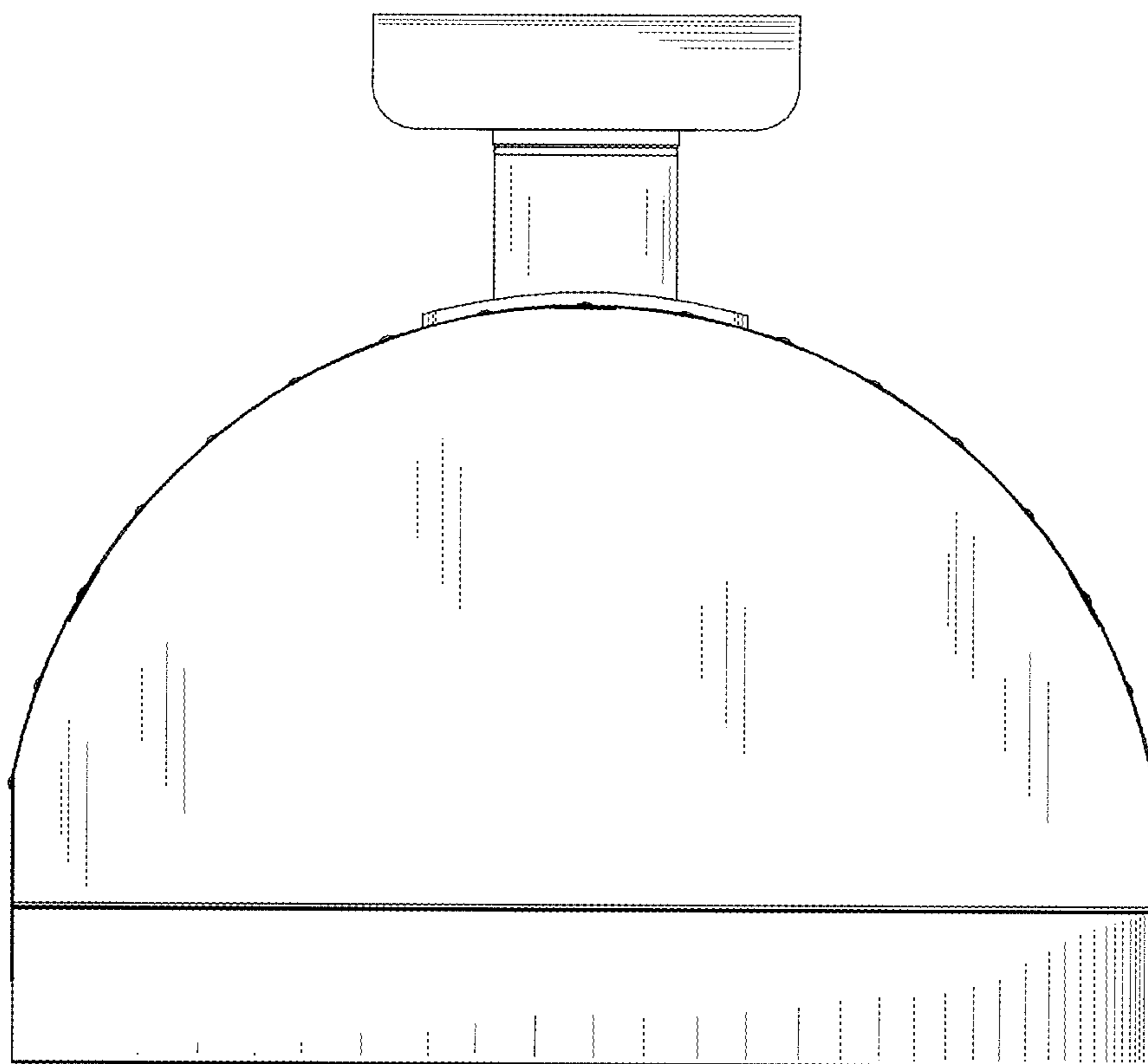


FIG. 3

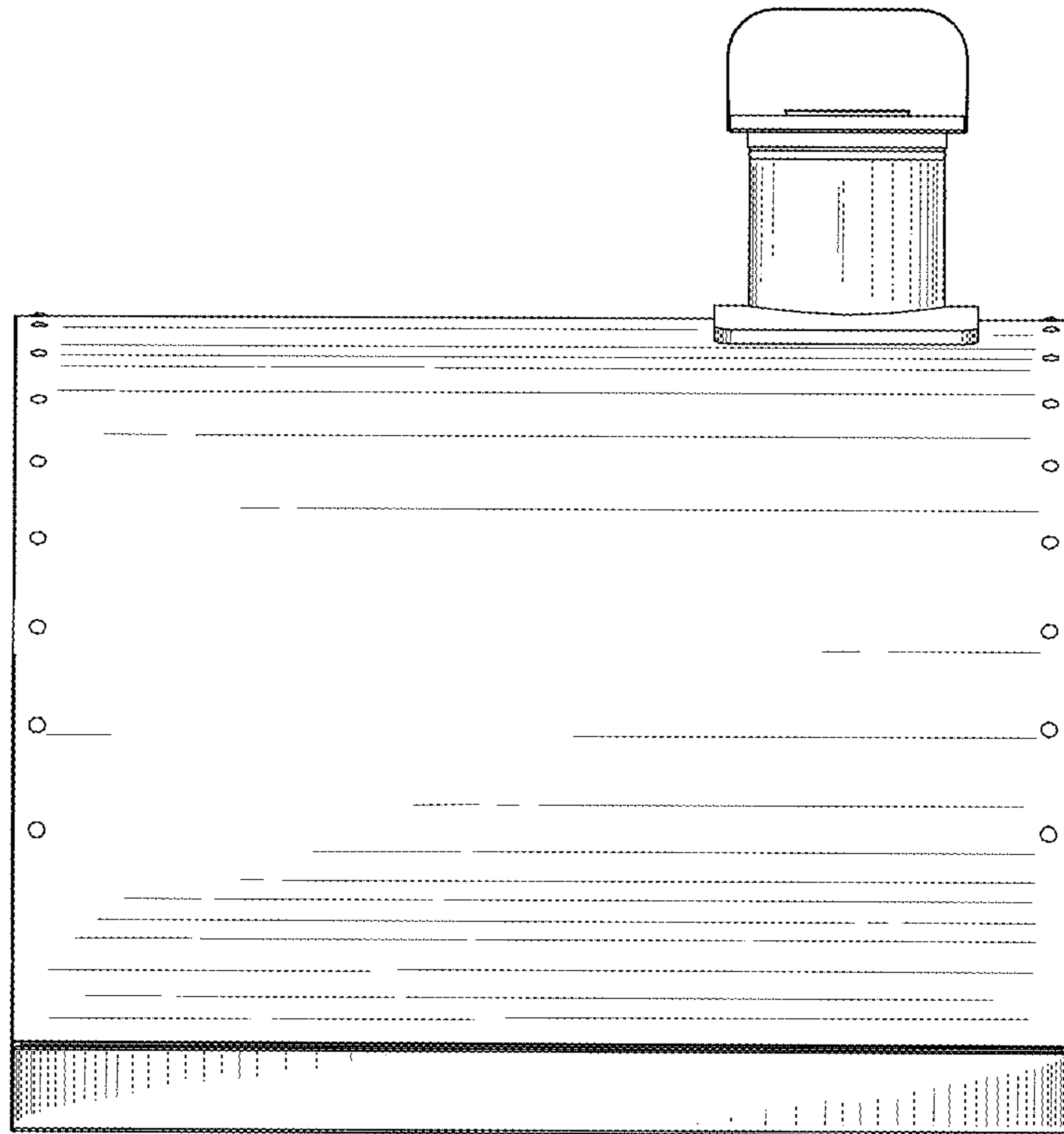


FIG. 4

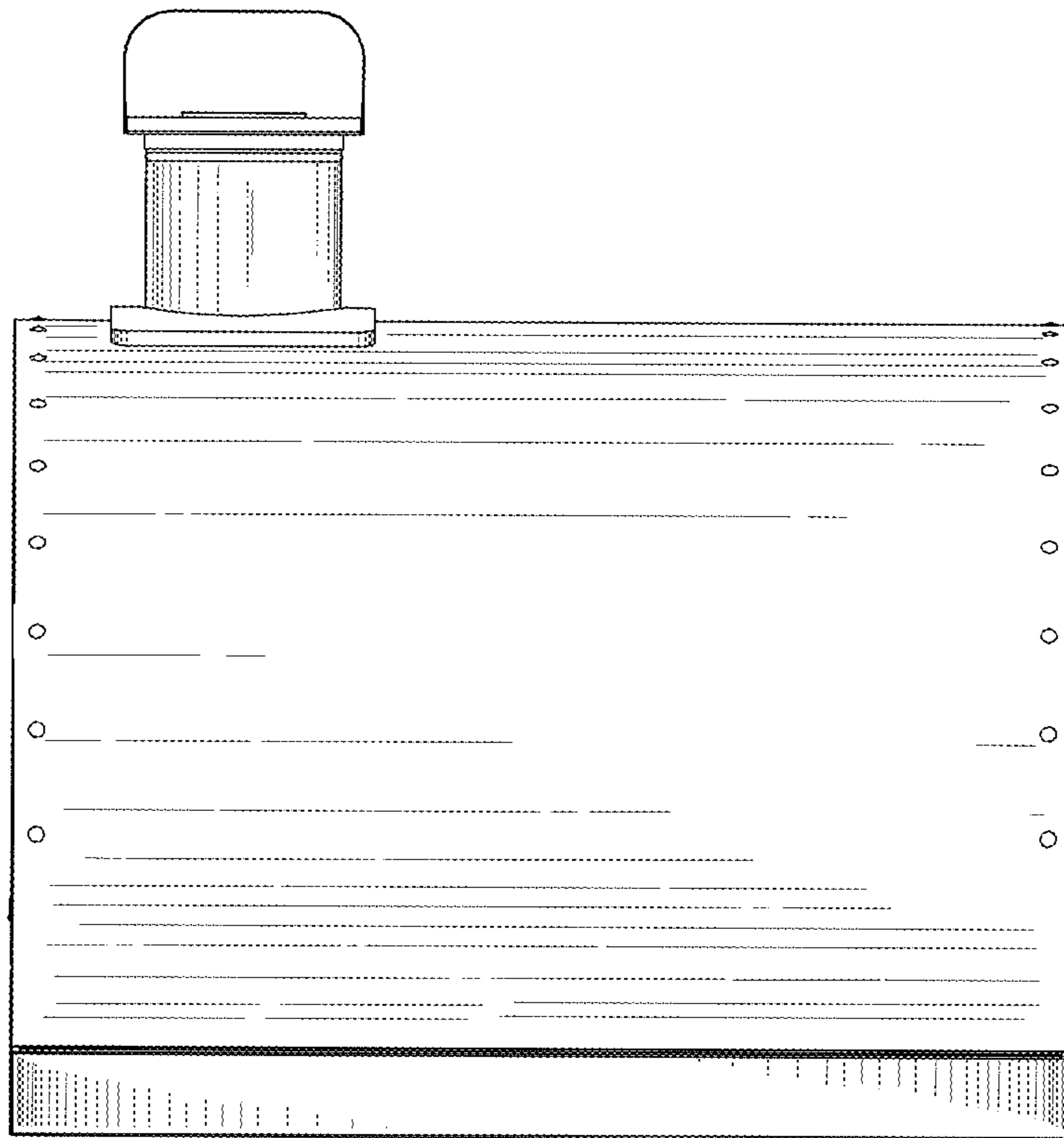


FIG. 5

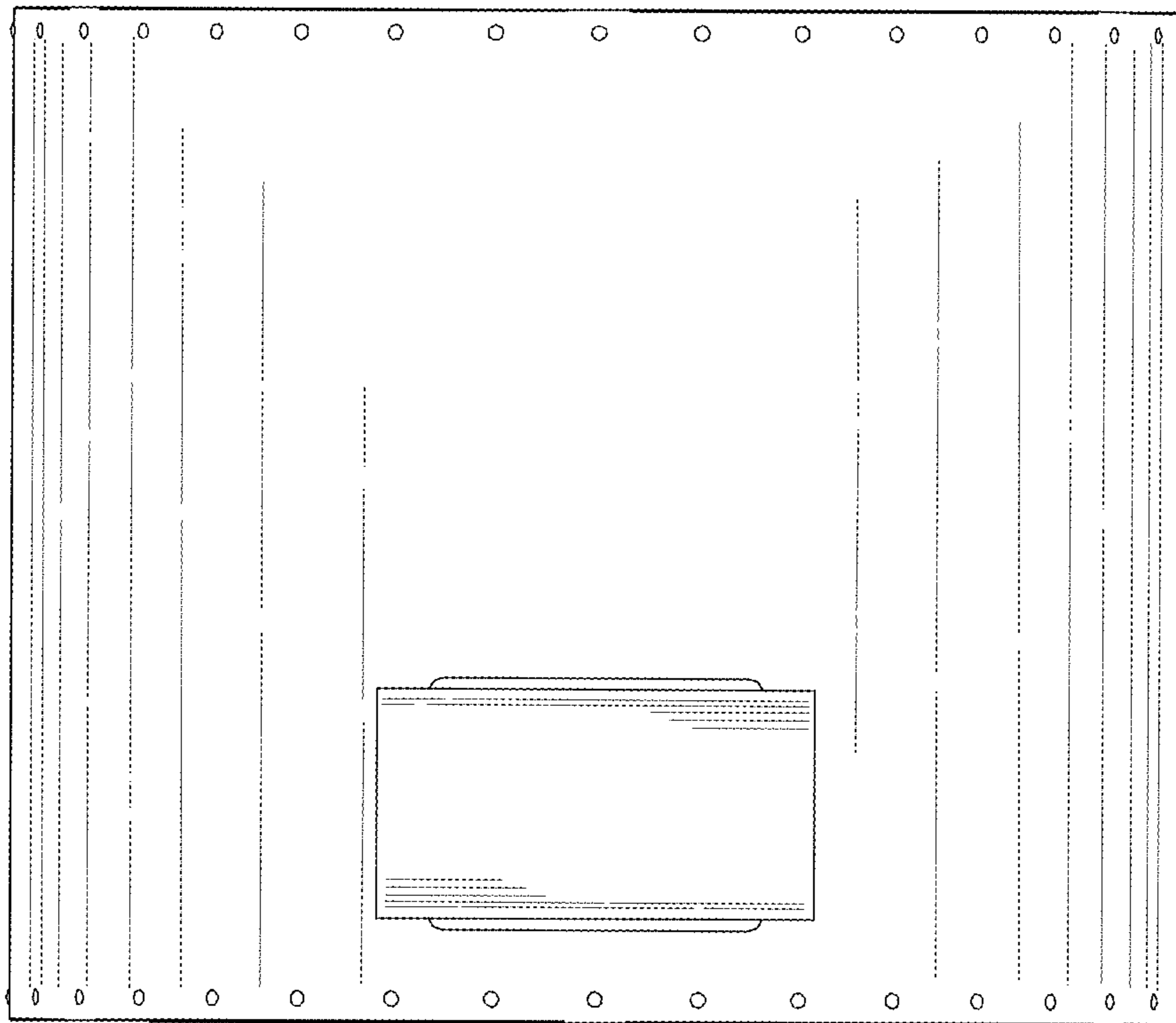


FIG. 6

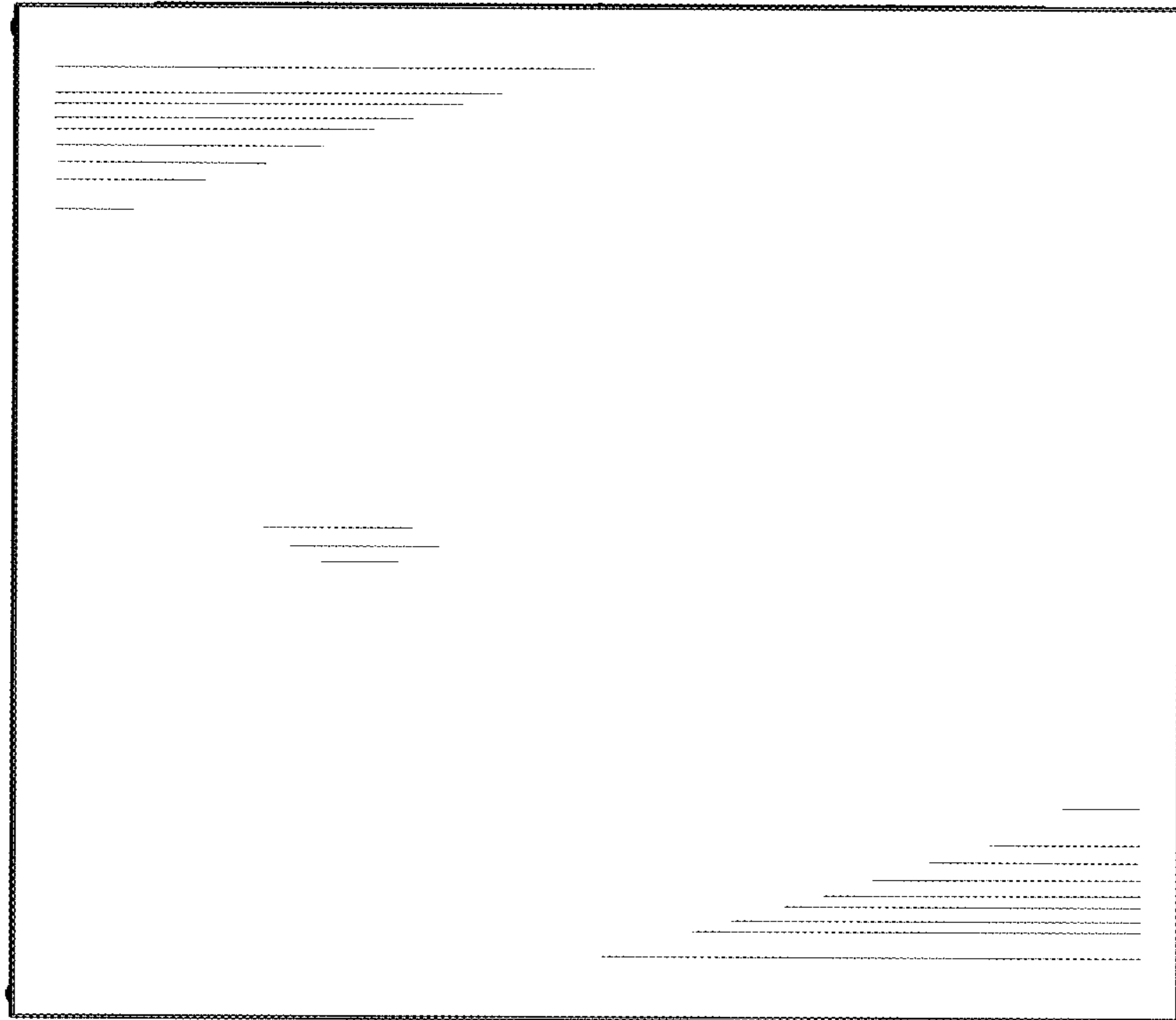


FIG. 7