



US00D880216S

(12) **United States Design Patent**
Lah et al.

(10) **Patent No.:** **US D880,216 S**
(45) **Date of Patent:** **** *Apr. 7, 2020**

(54) **COOKTOP GRATE**

- (71) Applicant: **Whirlpool Corporation**, Benton Harbor, MI (US)
- (72) Inventors: **Michael C. Lah**, Benton Harbor, MI (US); **Timothy A. Mayberry**, St. Joseph, MI (US); **Paul J. Neuman**, St. Joseph, MI (US); **Nicholas Righetti**, Stevensville, MI (US); **Anthony S. Roberts**, Granger, IN (US)
- (73) Assignee: **Whirlpool Corporation**, Benton Harbor, MI (US)
- (*) Notice: This patent is subject to a terminal disclaimer.
- (**) Term: **15 Years**

(21) Appl. No.: **29/668,591**

(22) Filed: **Oct. 31, 2018**
Related U.S. Application Data

(63) Continuation of application No. 29/587,844, filed on Dec. 15, 2016, now Pat. No. Des. 836,373.

(51) **LOC (12) Cl.** **07-02**

(52) **U.S. Cl.**
USPC **D7/340**

(58) **Field of Classification Search**
USPC D7/323, 328-330, 339-349, 390, D7/402-406; D21/523-524; D8/300-306
CPC ... A21B 2/00; A47J 37/00; A47J 37/06; A47J 37/0611; A47J 37/08; A47J 37/0807; A47J 37/0814; A47J 37/0835; A47J 37/0842;

(Continued)

(56) **References Cited**

U.S. PATENT DOCUMENTS

341,062 A * 5/1886 Sheaffer F24C 15/10
126/220

730,268 A 6/1903 Keller
(Continued)

OTHER PUBLICATIONS

Uniquely interactive, posted at Luxuryhome.reviewed.com, posted on Jun. 27, 2015, site visited Jan. 31, 2018, <<http://luxuryhome.reviewed.com/content/bertazzoni-mas365gasxe-36-inch-gas-range-review>>.

Primary Examiner — Barbara Fox
Assistant Examiner — Messina L Smith
(74) *Attorney, Agent, or Firm* — Diederiks & Whitelaw, PLC.

(57) **CLAIM**

The ornamental design for a cooktop grate, as shown and described.

DESCRIPTION

FIG. 1 is a front perspective view of a cooktop grate in an environment of use on a cooking appliance, showing our new design;

FIG. 2 is a top perspective view of the cooktop grate shown separately;

FIG. 3 is a top view thereof;

FIG. 4 is a bottom view thereof;

FIG. 5 is a left side view thereof;

FIG. 6 is a right side view thereof;

FIG. 7 is a front view thereof;

FIG. 8 is a rear view thereof;

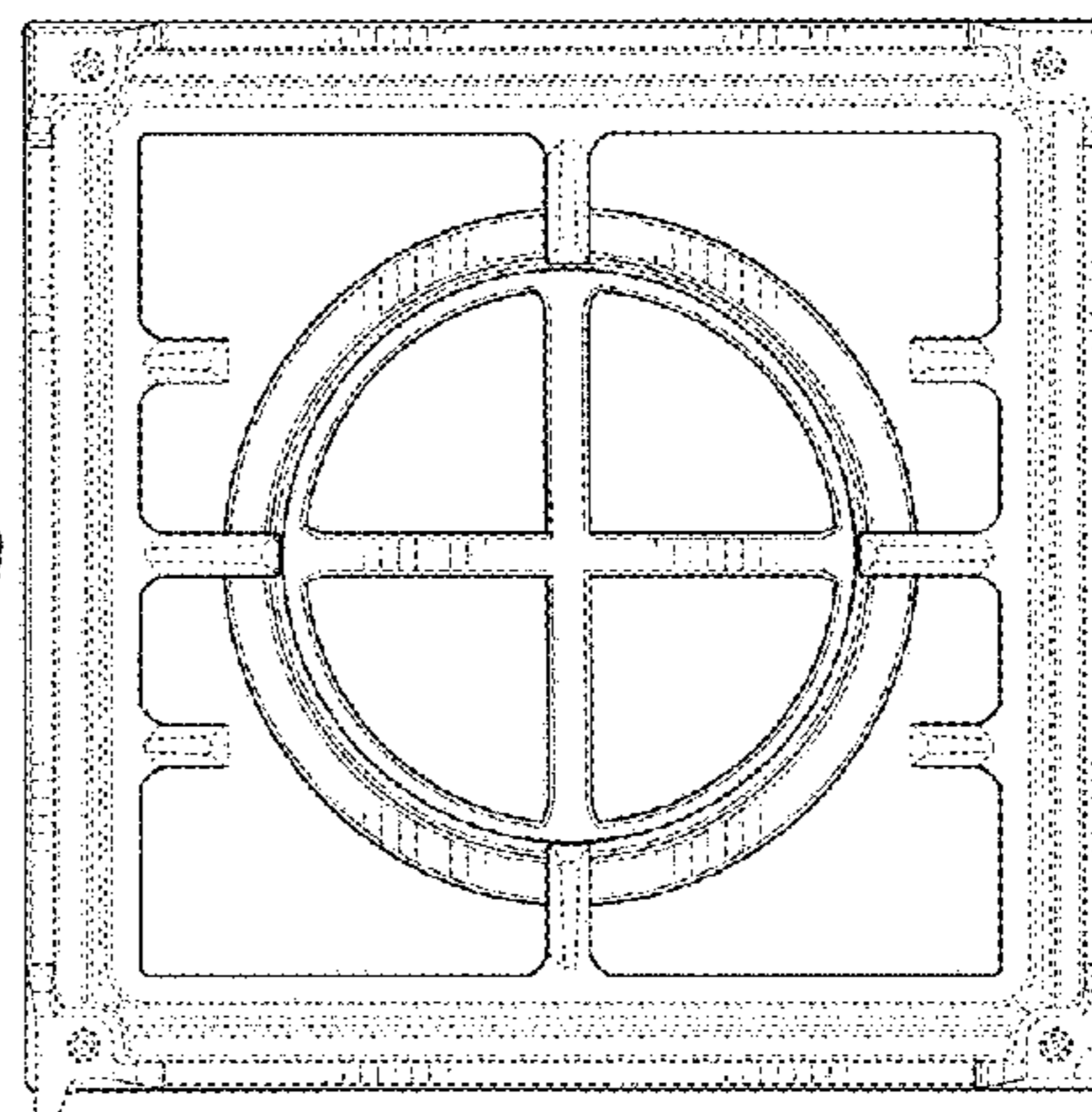
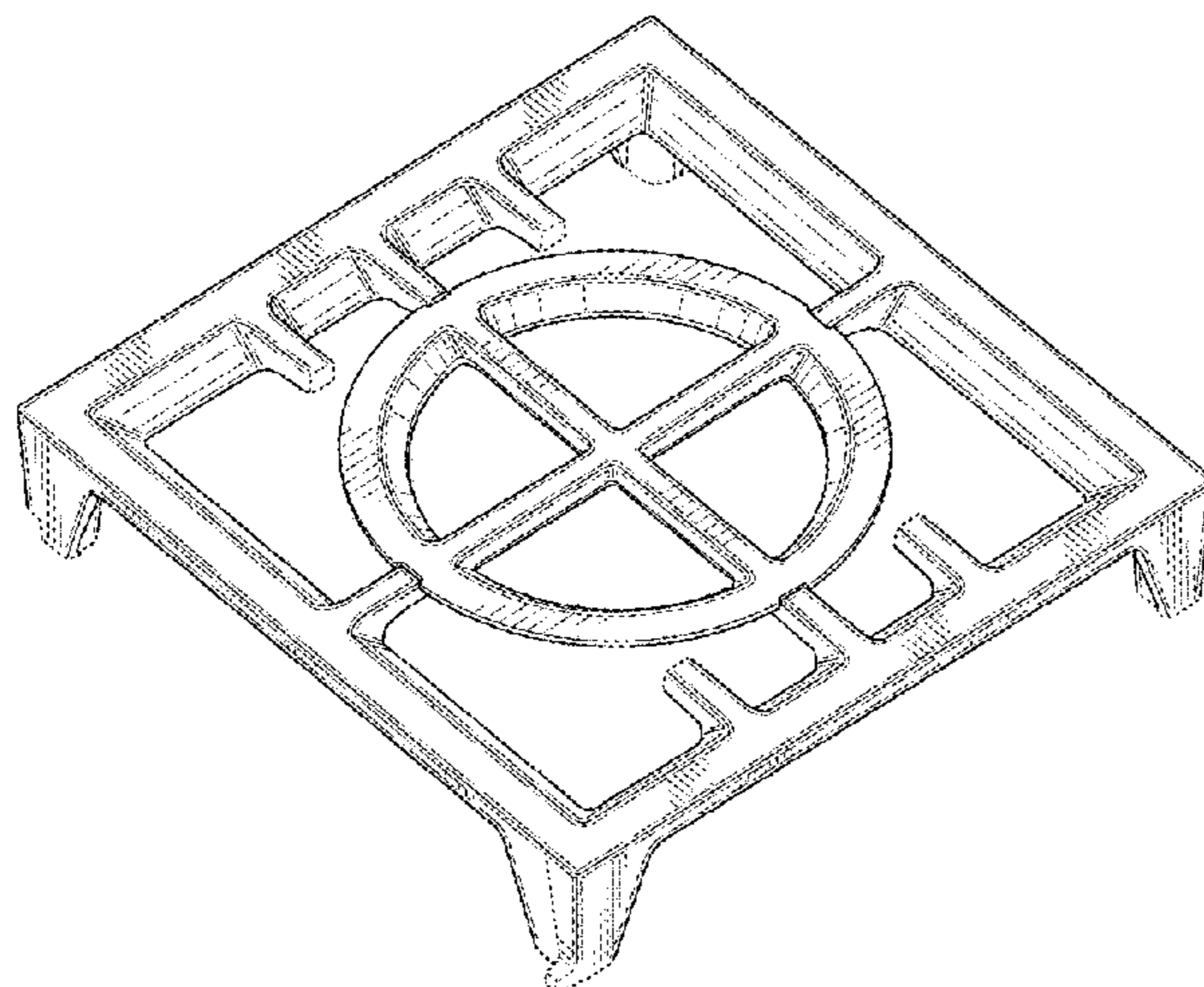
FIG. 9 is a top perspective view of the cooktop grate in an alternative configuration, in a wok mode;

FIG. 10 is a top perspective view of the cooktop grate in an alternative configuration, in a melt mode; and,

FIG. 11 is a rear view of the cooktop grate thereof.

The broken line showing of the cooking appliance in FIG. 1 depicts the environment of use for the cooktop grate and forms no part of the claimed design. The broken lines of the cooktop grate in FIGS. 1-11 depict portions of the cooktop grate that form no part of the claimed design.

1 Claim, 9 Drawing Sheets



- (58) **Field of Classification Search**
 CPC .. A47J 37/085; A47J 37/0864; A47J 37/0878;
 A47J 37/0885; A47J 37/0892; F24C 7/00;
 F24C 7/002; F24C 7/046; F24C 7/067;
 F24C 15/04; F24C 15/10; F24C 15/102;
 F24C 15/107
 See application file for complete search history.

(56) **References Cited**

U.S. PATENT DOCUMENTS

914,306 A * 3/1909 Renkenberger F24C 15/10
 126/220
 1,509,526 A 9/1924 O'Dowd
 D144,093 S 3/1946 Abell
 D278,306 S 4/1985 McIntosh
 5,129,451 A 7/1992 Moir et al.
 5,315,983 A 5/1994 Law
 D389,374 S 1/1998 Miller
 5,775,316 A 7/1998 Jones
 D401,112 S 11/1998 Miller
 D439,110 S 3/2001 Cozzolino
 D461,090 S 8/2002 Rummel et al.
 D477,177 S 7/2003 Jeong
 6,588,417 B2 7/2003 Jones et al.
 6,712,067 B1 3/2004 Barbour et al.
 D489,933 S 5/2004 Rummel et al.
 6,935,330 B1 8/2005 Barrero et al.
 D546,119 S 7/2007 Dodge
 D564,838 S 3/2008 Shin et al.
 D578,823 S 10/2008 Kim
 D589,740 S 4/2009 Strayle
 D602,738 S 10/2009 Bengton et al.

D610,863 S 3/2010 Kim et al.
 D629,638 S 12/2010 Funnell et al.
 7,967,004 B2 6/2011 Inzaghi
 D653,900 S 2/2012 Kim et al.
 D685,602 S 7/2013 Lee
 D697,756 S 1/2014 Segers et al.
 D703,484 S 4/2014 Boo et al.
 D721,538 S 1/2015 Kim et al.
 D731,845 S 6/2015 Kim et al.
 D738,683 S 9/2015 Segers et al.
 D767,324 S 9/2016 Funnell, II et al.
 D778,099 S * 2/2017 Shoemaker D7/346
 D781,096 S 3/2017 Kim et al.
 D782,863 S 4/2017 Kamper et al.
 D786,006 S 5/2017 Chung et al.
 D786,609 S 5/2017 Cho et al.
 D798,108 S * 9/2017 Shoemaker D7/408
 D817,709 S * 5/2018 Kim D7/408
 D829,482 S * 10/2018 Incukur D7/340
 D829,504 S * 10/2018 Kim D7/408
 D836,373 S * 12/2018 Lah D7/340
 D846,945 S * 4/2019 Kamper D7/408
 D847,566 S * 5/2019 Kamper D7/408
 2004/0089288 A1 5/2004 Brown
 2006/0090743 A1 5/2006 Hsu
 2009/0044795 A1 2/2009 Shaffer et al.
 2015/0211746 A1 * 7/2015 Murdock F24C 15/107
 126/215
 2015/0265097 A1 9/2015 Poon
 2015/0316269 A1 11/2015 Dettloff et al.
 2017/0023254 A1 * 1/2017 Cadima F24C 1/06
 2017/0030585 A1 * 2/2017 Mayberry F23D 14/045
 2017/0227235 A1 * 8/2017 Best F24C 15/10
 2018/0172279 A1 * 6/2018 Lah F24C 3/008

* cited by examiner

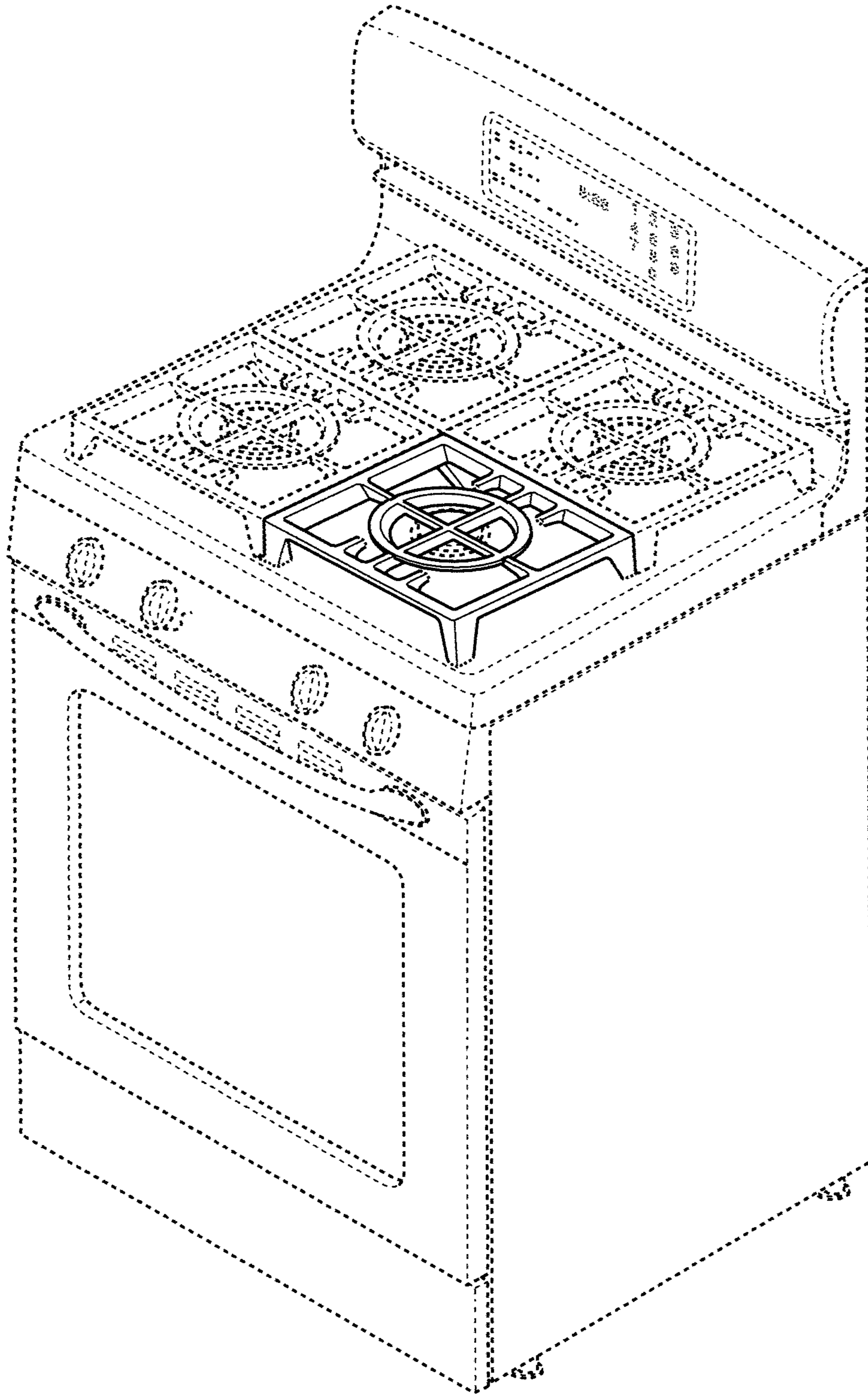


FIG. 1

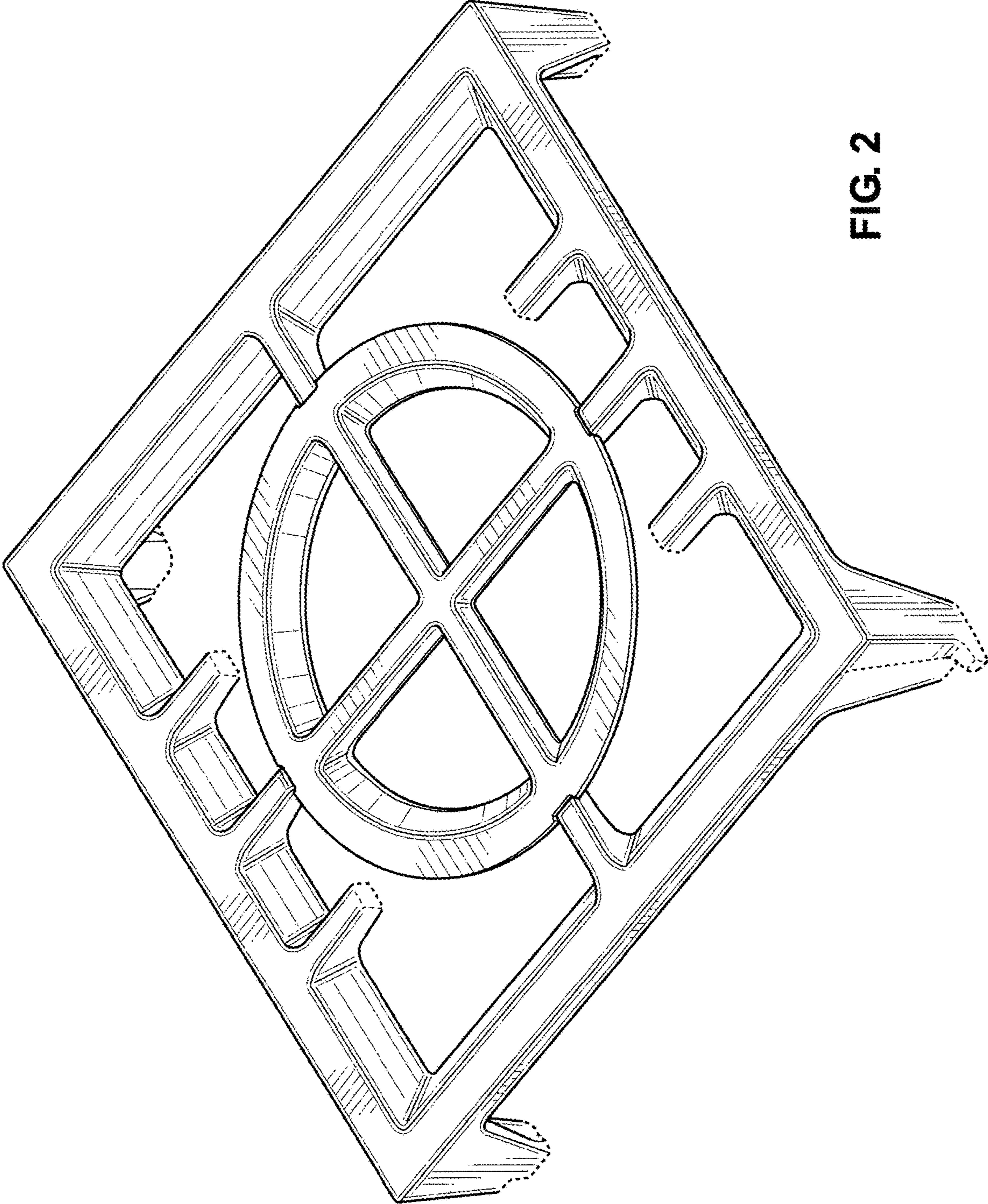


FIG. 2

FIG. 3

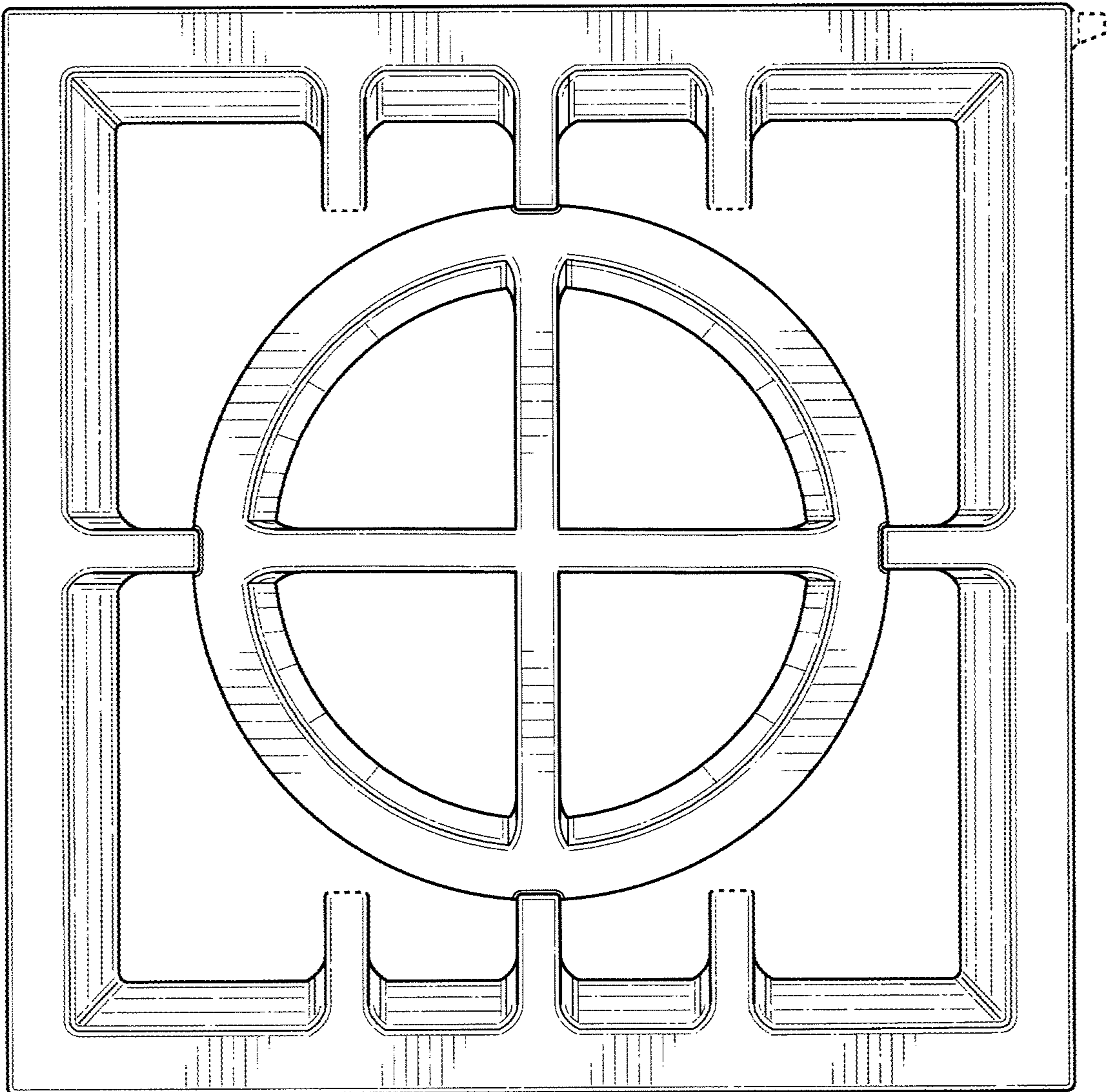
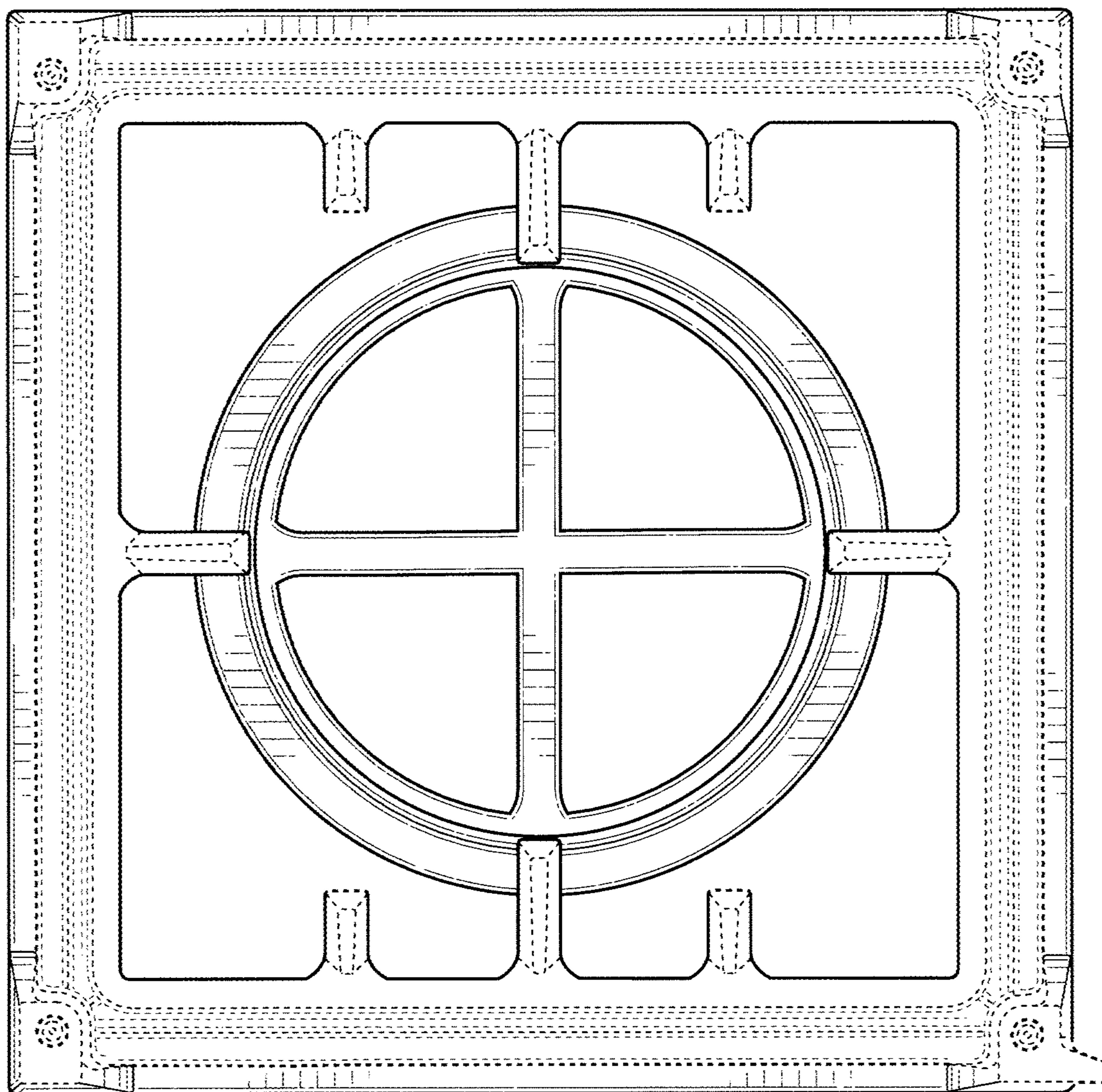


FIG. 4



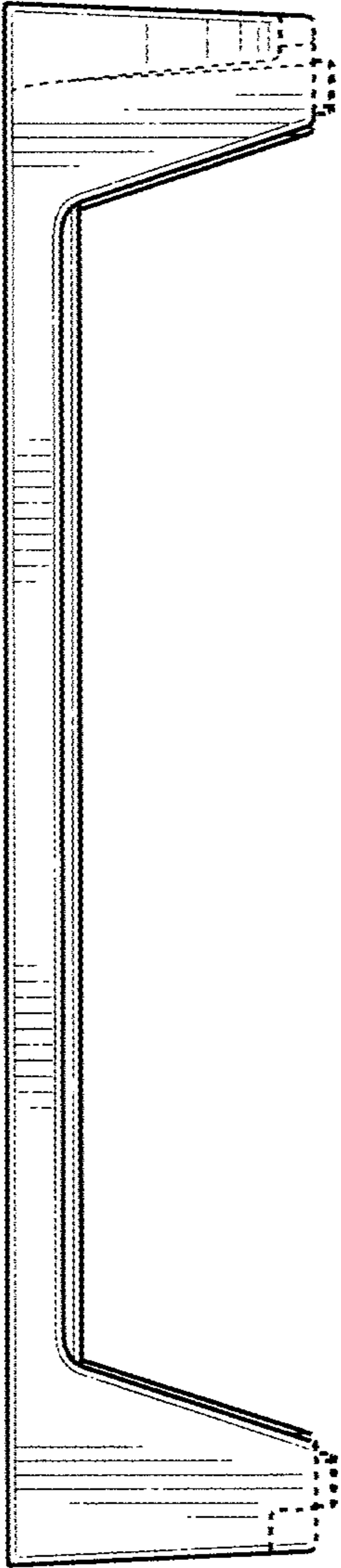


FIG. 5

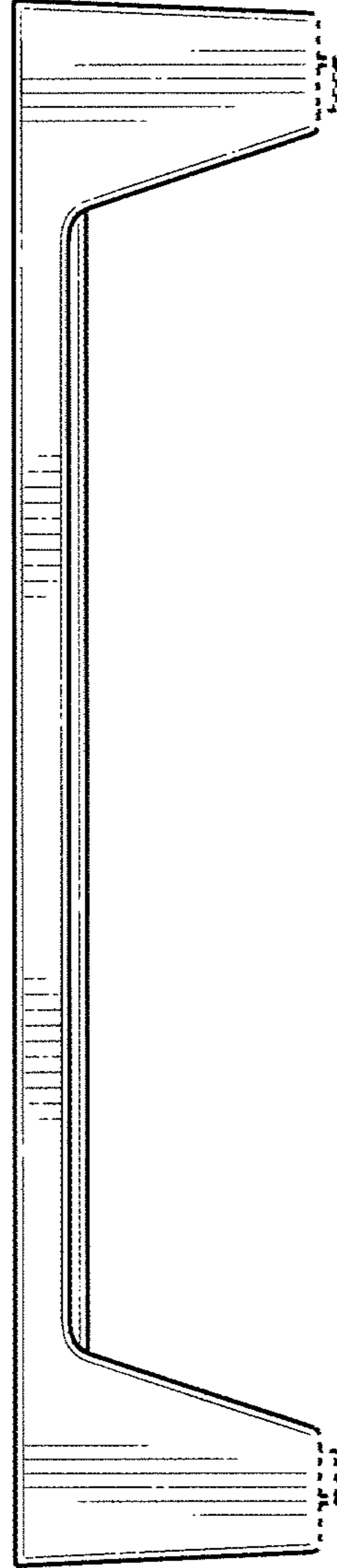


FIG. 6

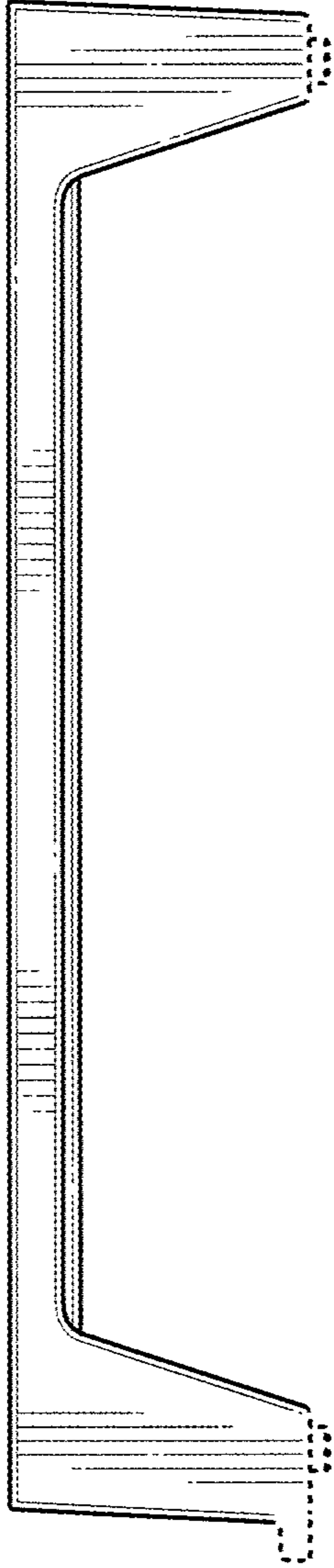


FIG. 7

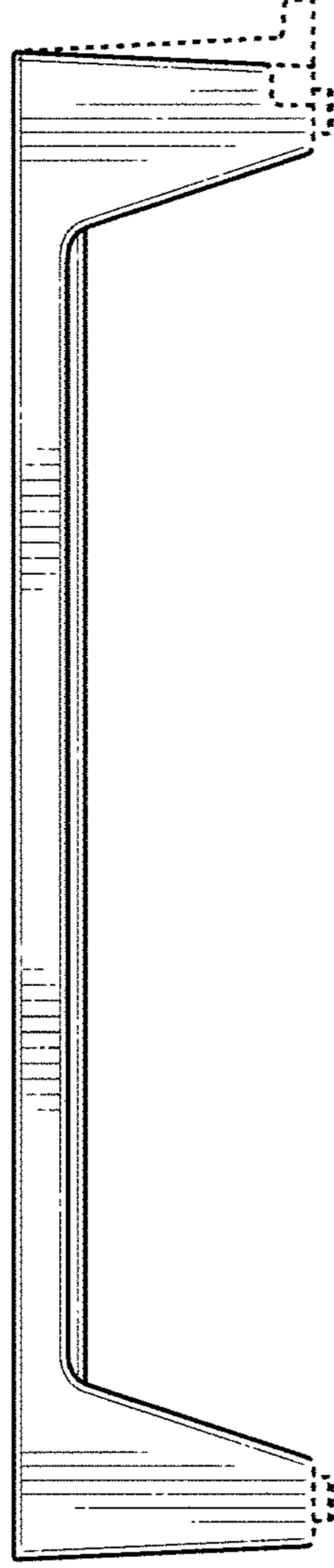


FIG. 8

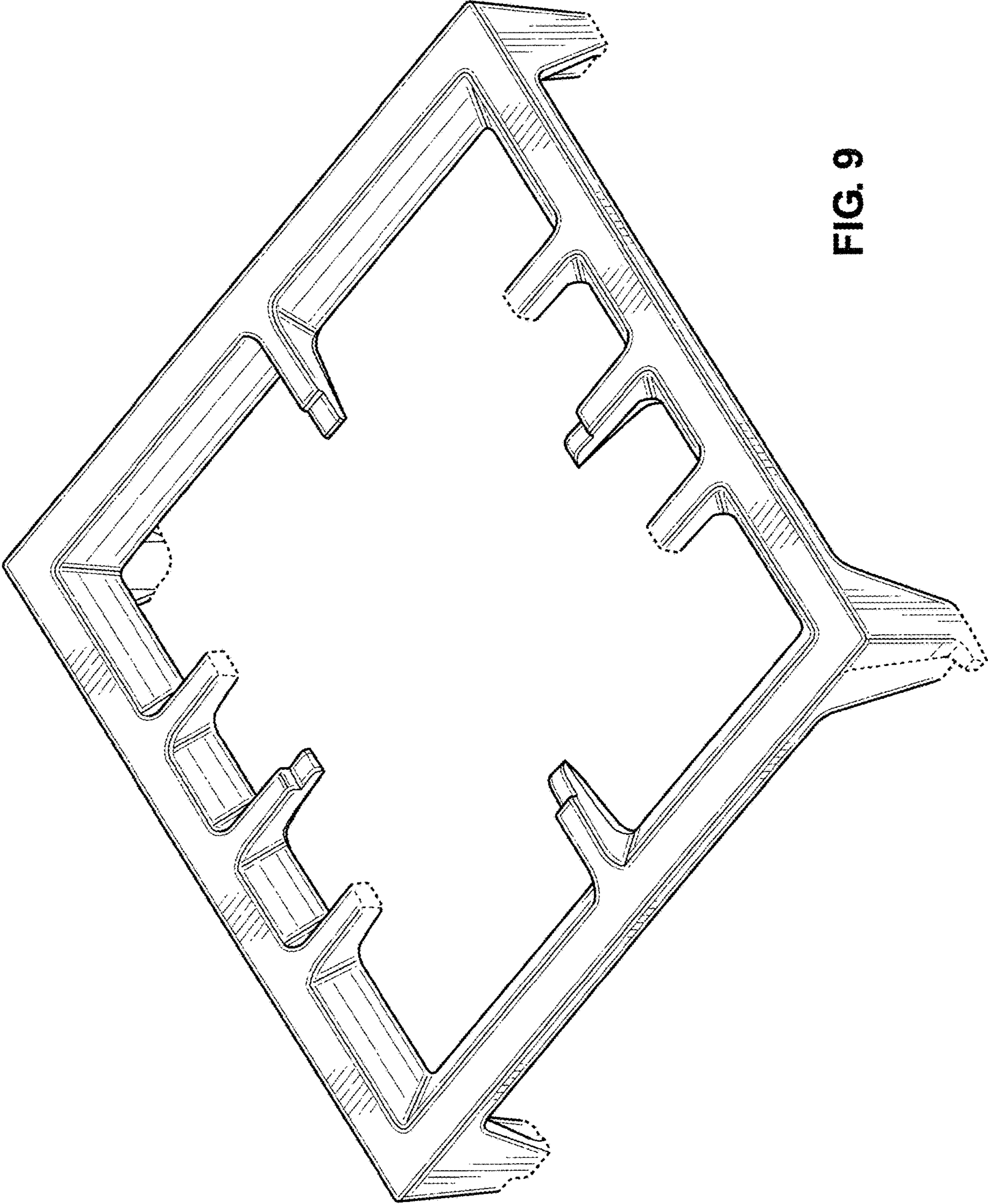


FIG. 9

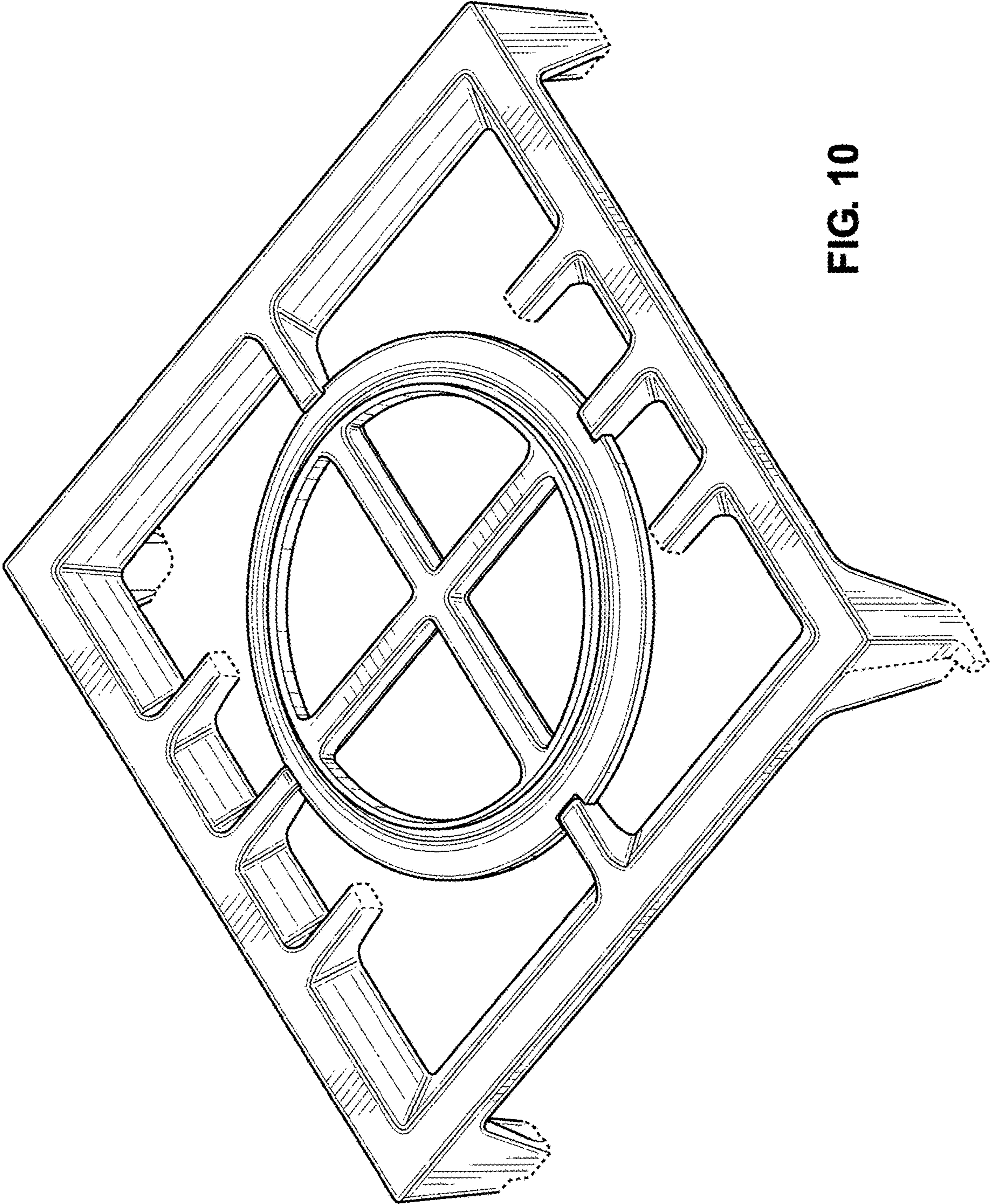


FIG. 10

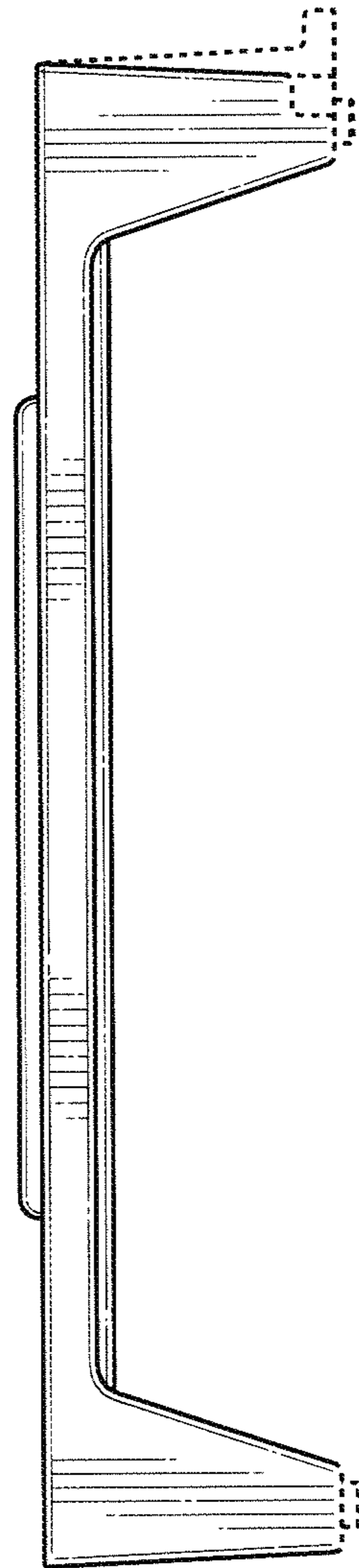


FIG. 11