



US00D880215S

(12) **United States Design Patent**  
**Lisenbee et al.**

(10) **Patent No.:** **US D880,215 S**  
(45) **Date of Patent:** **\*\* Apr. 7, 2020**

(54) **POCKETED SPRING COMFORT LAYER**

- (71) Applicant: **L&P Property Management Company**, South Gate, CA (US)
- (72) Inventors: **Kyle S. Lisenbee**, Carl Junction, MO (US); **Darrell A. Richmond**, Carthage, MO (US)
- (73) Assignee: **L&P Property Management Company**, South Gate, CA (US)
- (\*\*) Term: **15 Years**
- (21) Appl. No.: **29/661,618**
- (22) Filed: **Aug. 29, 2018**

**Related U.S. Application Data**

- (63) Continuation of application No. 16/018,646, filed on Jun. 26, 2018.
- (51) **LOC (12) Cl.** ..... **06-06**
- (52) **U.S. Cl.**  
USPC ..... **D6/718.31; D6/606**
- (58) **Field of Classification Search**  
USPC ..... D6/718, 718.31, 606; D9/424, 425, 426, D9/428

(Continued)

(56) **References Cited**

**U.S. PATENT DOCUMENTS**

- 1,406,051 A \* 2/1922 Marcus ..... A47C 27/04  
5/655.8
- 3,462,779 A \* 8/1969 Thompson ..... A47C 27/063  
5/655.8

(Continued)

**FOREIGN PATENT DOCUMENTS**

- EP 1067090 1/2001
- EP 1707081 4/2008

(Continued)

**OTHER PUBLICATIONS**

Posturfil coils, Aero coil, and NonoCoil, "Today's Springs Support and Comfort Sleepers on all Points of the Mattress", Bed Times, pp. 7, 8 and 16, Sep. 1, 2017, site visited Jan. 3, 2020, available online at <https://bedtimesmagazine.com/2017/09/springs-support-comfort-sleepers/> (Year: 2017).\*

*Primary Examiner* — Cathron C Brooks

(74) *Attorney, Agent, or Firm* — Wood, Herron & Evans, LLP

(57) **CLAIM**

The ornamental design for a pocketed spring comfort layer, as shown and described.

**DESCRIPTION**

FIG. 1 is a top perspective view of a pocketed spring comfort layer illustrating our new design;  
 FIG. 2 is a top perspective view thereof, but shown without the environmental subject matter;  
 FIG. 3 is a front view thereof; the rear, right and left views being identical;  
 FIG. 4 is a top view thereof; the bottom view being identical;  
 FIG. 5 is a top perspective view of another embodiment of the pocketed spring comfort layer;  
 FIG. 6 is a front view thereof; the rear, right and left views being identical;  
 FIG. 7 is a top view thereof; the bottom view being identical;  
 FIG. 8 is a top perspective view of another embodiment of the pocketed spring comfort layer;  
 FIG. 9 is a top perspective view thereof, but shown without the environmental subject matter;  
 FIG. 10 is a front view thereof; the rear, right and left views being identical;  
 FIG. 11 is a top view thereof;  
 FIG. 12 is a bottom view thereof;  
 FIG. 13 is a top perspective view of another embodiment of the pocketed spring comfort layer;  
 FIG. 14 is a front view thereof; the rear, right and left views being identical;  
 FIG. 15 is a top view thereof;  
 FIG. 16 is a bottom view thereof;

(Continued)

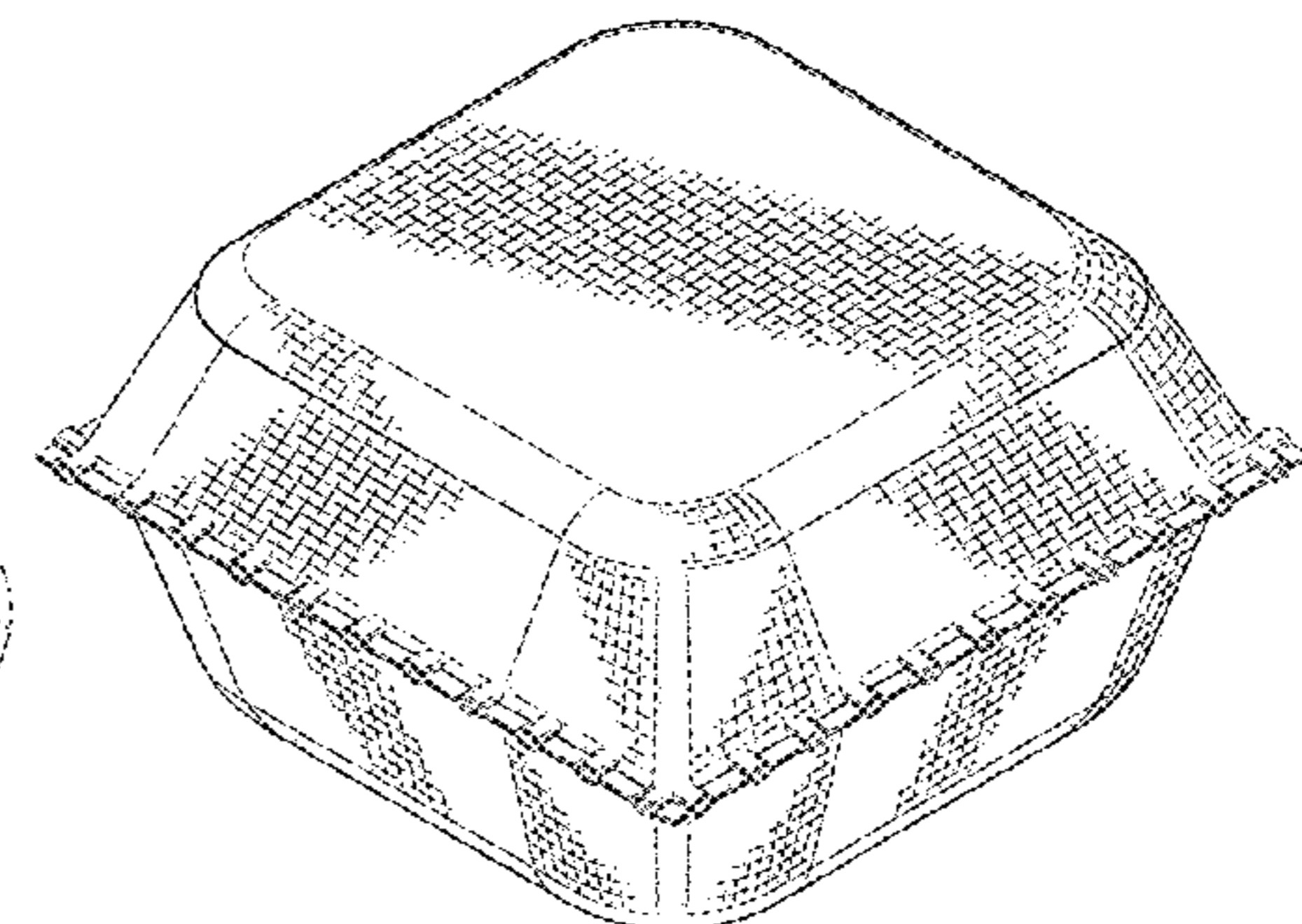
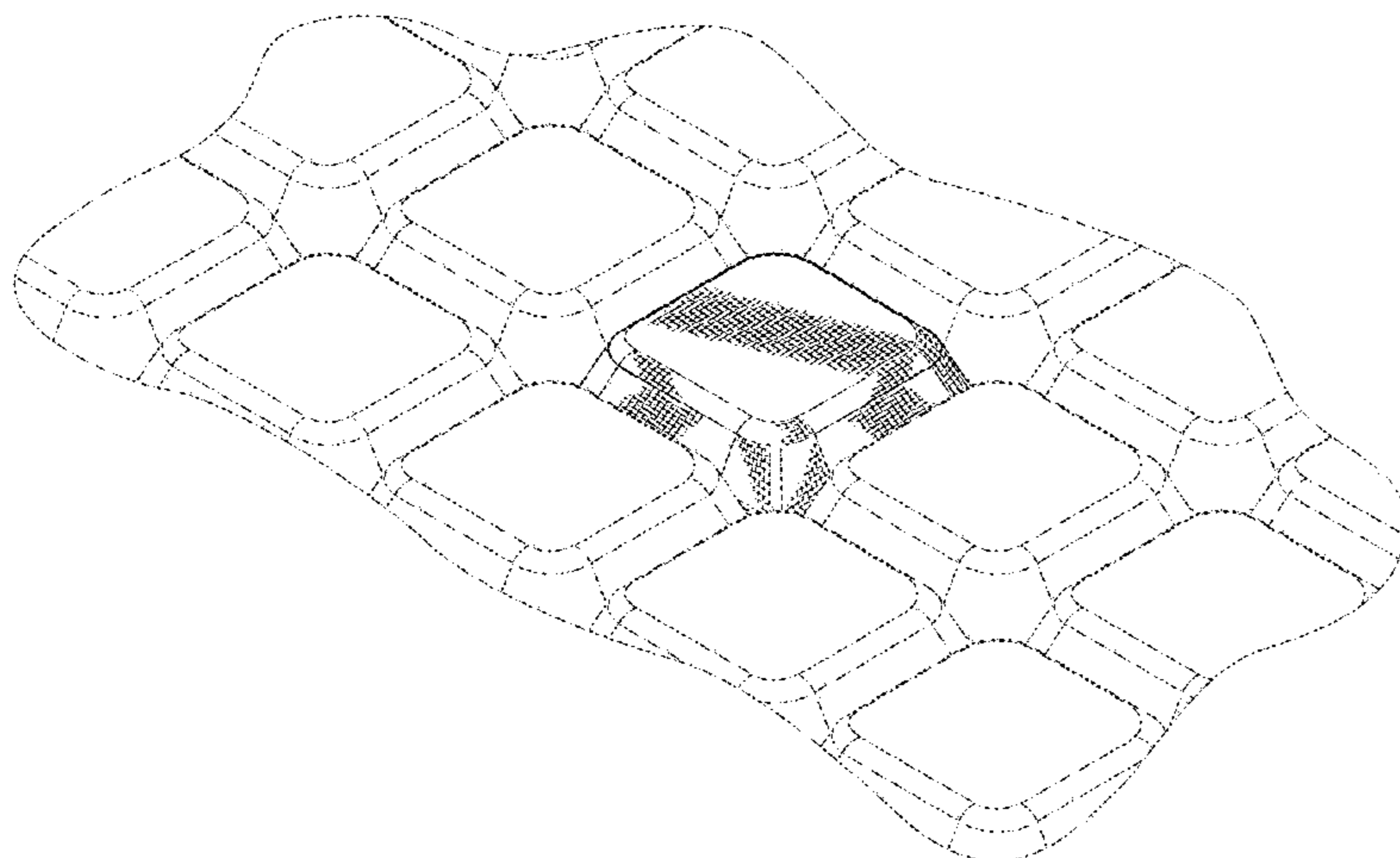


FIG. 17 is a top perspective view of another embodiment of the pocketed spring comfort layer;

FIG. 18 is a front view thereof; the rear, right and left views being identical;

FIG. 19 is a top view thereof; the bottom view being identical;

FIG. 20 is a top perspective view of another embodiment of the pocketed spring comfort layer;

FIG. 21 is a front view thereof; the rear, right and left views being identical; and,

FIG. 22 is a top view thereof; the bottom view being identical.

Any elements shown in broken lines form no part of the claimed invention, and are instead included to show environmental aspects of the claimed invention.

**1 Claim, 14 Drawing Sheets**

(58) **Field of Classification Search**

CPC ..... A47C 27/04; A47C 27/053; A47C 27/06;  
A47C 27/063; A47C 27/064; A47C  
27/066

See application file for complete search history.

(56) **References Cited**

U.S. PATENT DOCUMENTS

4,234,983	A	11/1980	Stumpf	
4,451,946	A	6/1984	Stumpf	
4,485,506	A	12/1984	Stumpf et al.	
4,573,741	A	3/1986	Kirchner-Carl	
4,574,099	A	3/1986	Nixon	
4,594,278	A	6/1986	Nixon	
5,105,488	A	4/1992	Hutchinson et al.	
5,438,718	A	8/1995	Kelly et al.	
6,154,908	A	12/2000	Wells	
6,319,864	B1	11/2001	Hannigan et al.	
6,447,874	B2	9/2002	Antinori et al.	
6,537,930	B1	3/2003	Middlesworth et al.	
D472,805	S *	4/2003	Jowett .....	D9/426
D473,138	S *	4/2003	Jowett .....	D9/425
D473,139	S *	4/2003	Jowett .....	D9/425
6,591,436	B2 *	7/2003	de Santis .....	B65B 9/073 5/655.8
6,591,438	B1	7/2003	Edling	
6,598,251	B2	7/2003	Habboub et al.	
6,603,809	B1	8/2003	Cabrey	
D479,127	S *	9/2003	Jowett .....	D9/425
6,706,225	B2	3/2004	Cabrey	
6,826,796	B1	12/2004	Mossbeck	
6,862,763	B2	3/2005	Mossbeck et al.	
6,883,196	B2	4/2005	Barber	
7,410,030	B2	8/2008	Fusiki et al.	
D589,342	S *	3/2009	Maslowski .....	D9/428
7,622,406	B2	11/2009	Holland et al.	
7,636,972	B2	12/2009	Mossbeck et al.	
D618,547	S *	6/2010	Manning .....	D9/425
7,788,952	B2	9/2010	Morrison	
7,820,570	B2	10/2010	Holland et al.	
7,828,029	B2	11/2010	Holland et al.	

7,877,964	B2	2/2011	Spinks et al.	
8,011,046	B2	9/2011	Stjerna	
8,087,114	B2	1/2012	Lundevall	
8,136,187	B2	3/2012	Mossbeck et al.	
8,157,051	B2	4/2012	Marcel et al.	
8,322,487	B1	12/2012	Kitchen et al.	
8,464,830	B2	6/2013	Ishikawa et al.	
8,474,078	B2	7/2013	Mossbeck	
8,574,700	B2	11/2013	Hattori	
8,695,757	B2	4/2014	Duval et al.	
9,133,615	B2	9/2015	Bischoff et al.	
9,314,110	B2 *	4/2016	Ahlqvist .....	A47C 27/064
9,635,952	B1	5/2017	Anthony et al.	
9,943,173	B2	4/2018	Krtek et al.	
9,968,202	B2	5/2018	Long	
10,405,665	B2 *	9/2019	Long .....	A47G 9/00
2002/0025747	A1	2/2002	Rock et al.	
2003/0009831	A1	1/2003	Giori et al.	
2003/0104735	A1	6/2003	Rock et al.	
2004/0010853	A1	1/2004	Muci et al.	
2005/0273938	A1	12/2005	Metzger et al.	
2007/0044243	A1	3/2007	Metzger	
2007/0137926	A1	6/2007	Albin, Jr. et al.	
2007/0289069	A1	12/2007	Wells	
2008/0128965	A1	6/2008	Bock	
2009/0211028	A1	8/2009	Richmond et al.	
2009/0222985	A1	9/2009	Richmond et al.	
2009/0298374	A1	12/2009	Delmas	
2010/0043148	A1	2/2010	Rose et al.	
2010/0212090	A1	8/2010	Stjerna	
2010/0255270	A1	10/2010	Stuebiger	
2011/0014406	A1	1/2011	Coleman et al.	
2011/0113551	A1	5/2011	Lin	
2011/0314613	A1	12/2011	Haffner et al.	
2012/0286460	A1 *	11/2012	Tyree .....	A47C 27/064 267/91
2013/0029550	A1	1/2013	Seth et al.	
2013/0174350	A1	7/2013	Allman et al.	
2013/0198941	A1	8/2013	John et al.	
2014/0287643	A1	9/2014	Nozaki et al.	
2014/0373282	A1	12/2014	Mossbeck et al.	
2015/0026893	A1	1/2015	Garrett et al.	
2015/0230621	A1	8/2015	Spinks et al.	
2015/0284901	A1	10/2015	Blackwell, Jr. et al.	
2015/0313371	A1 *	11/2015	Ahlqvist .....	B68G 9/00 5/720
2015/0359349	A1	12/2015	Eigenmann et al.	
2016/0166080	A1 *	6/2016	Mascull .....	A61G 7/065 5/722
2016/0235213	A1	8/2016	Long	
2017/0251820	A1	9/2017	Long	
2019/0142179	A1 *	5/2019	Hegg .....	A47C 27/064 5/720
2019/0216241	A1 *	7/2019	Codos .....	A47C 21/046
2019/0239654	A1 *	8/2019	Cohen .....	A47C 23/0438
2019/0246803	A1 *	8/2019	Jewett .....	A47C 7/18
2019/0343289	A1 *	11/2019	Long .....	A47C 7/34

FOREIGN PATENT DOCUMENTS

EP	2789267	10/2014
GB	167025	2/1921
KR	200462261	9/2012
WO	2014023975	2/2014
WO	2017153427	9/2017

\* cited by examiner

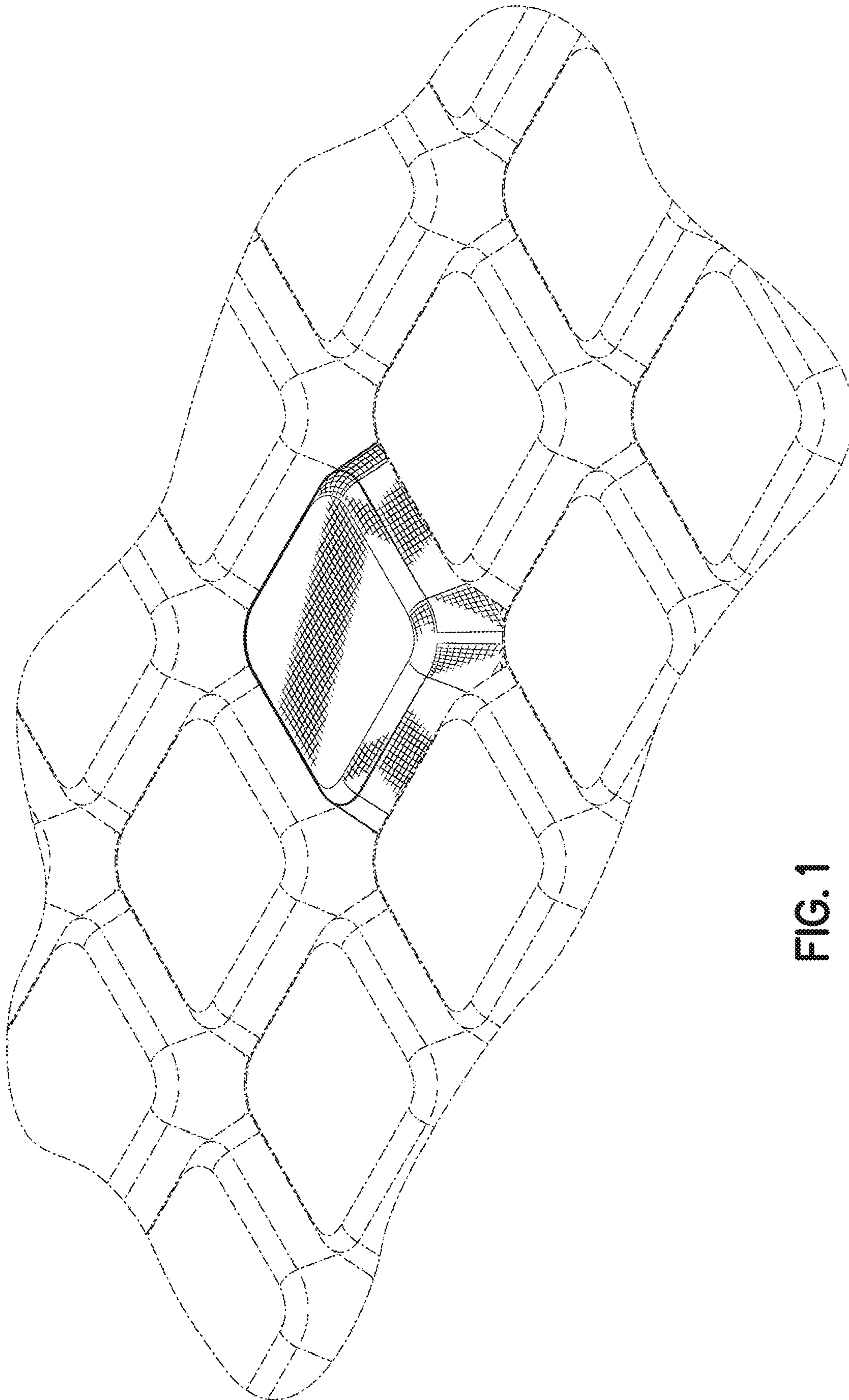


FIG. 1

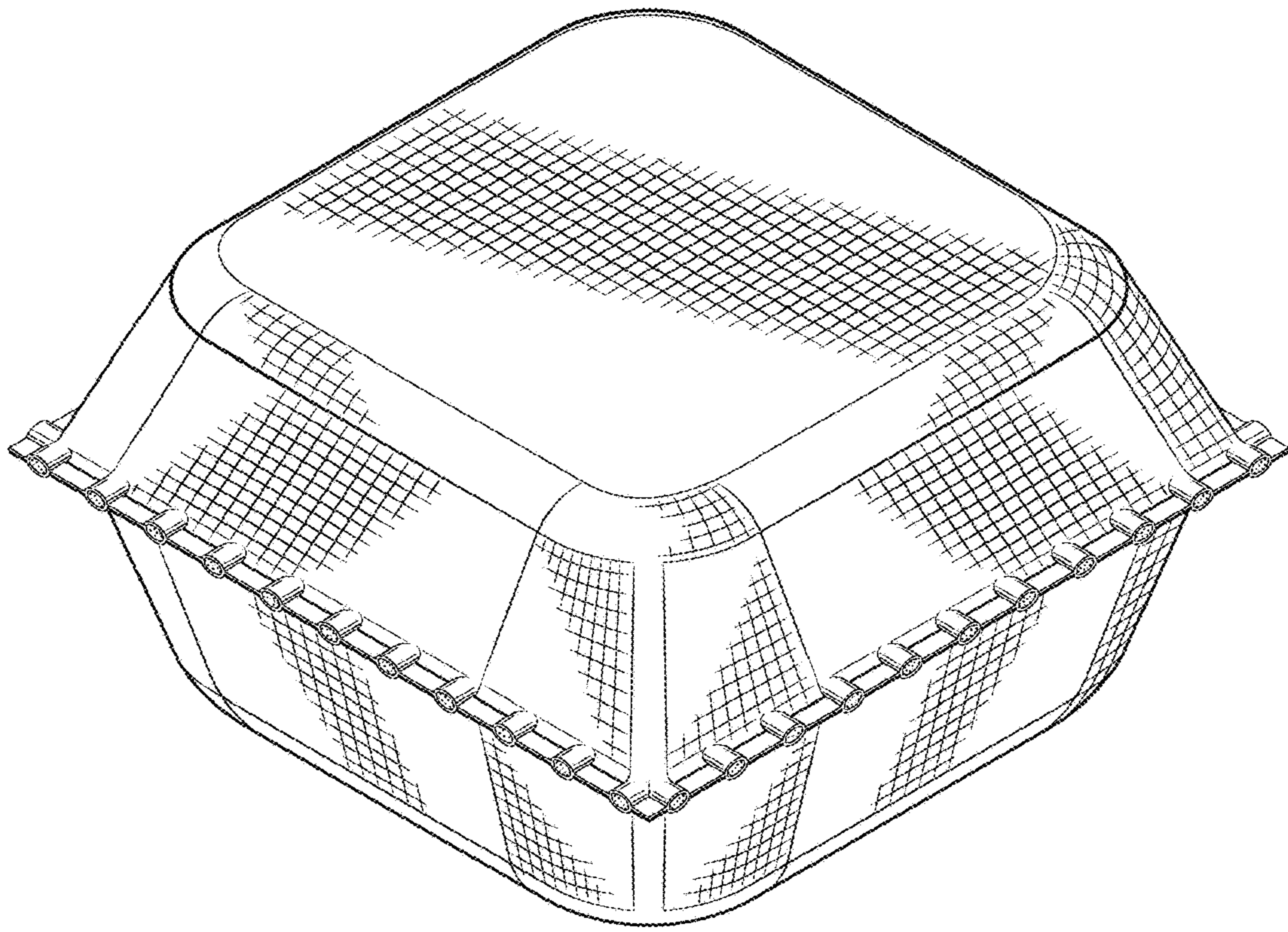


FIG. 2

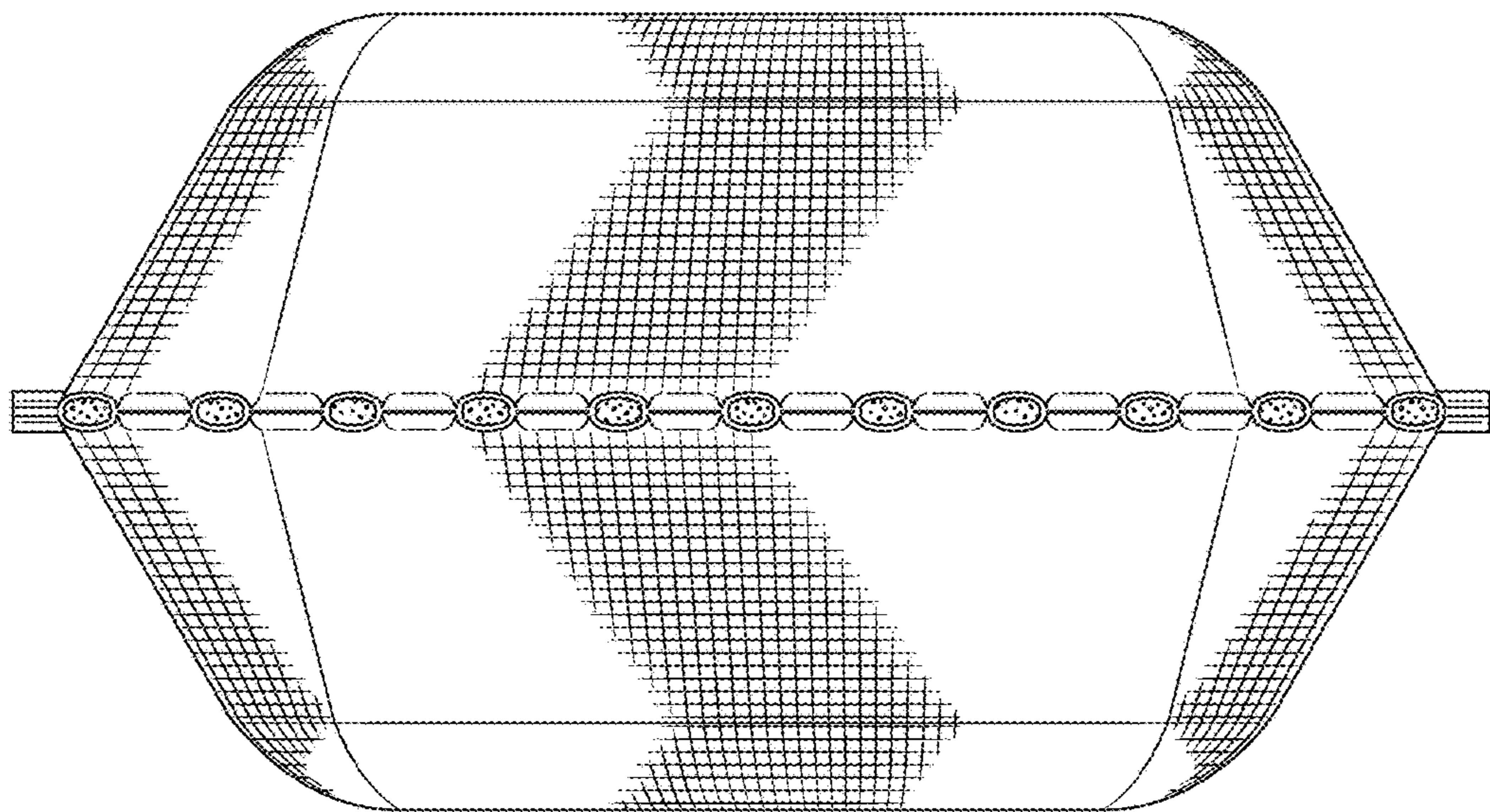


FIG. 3

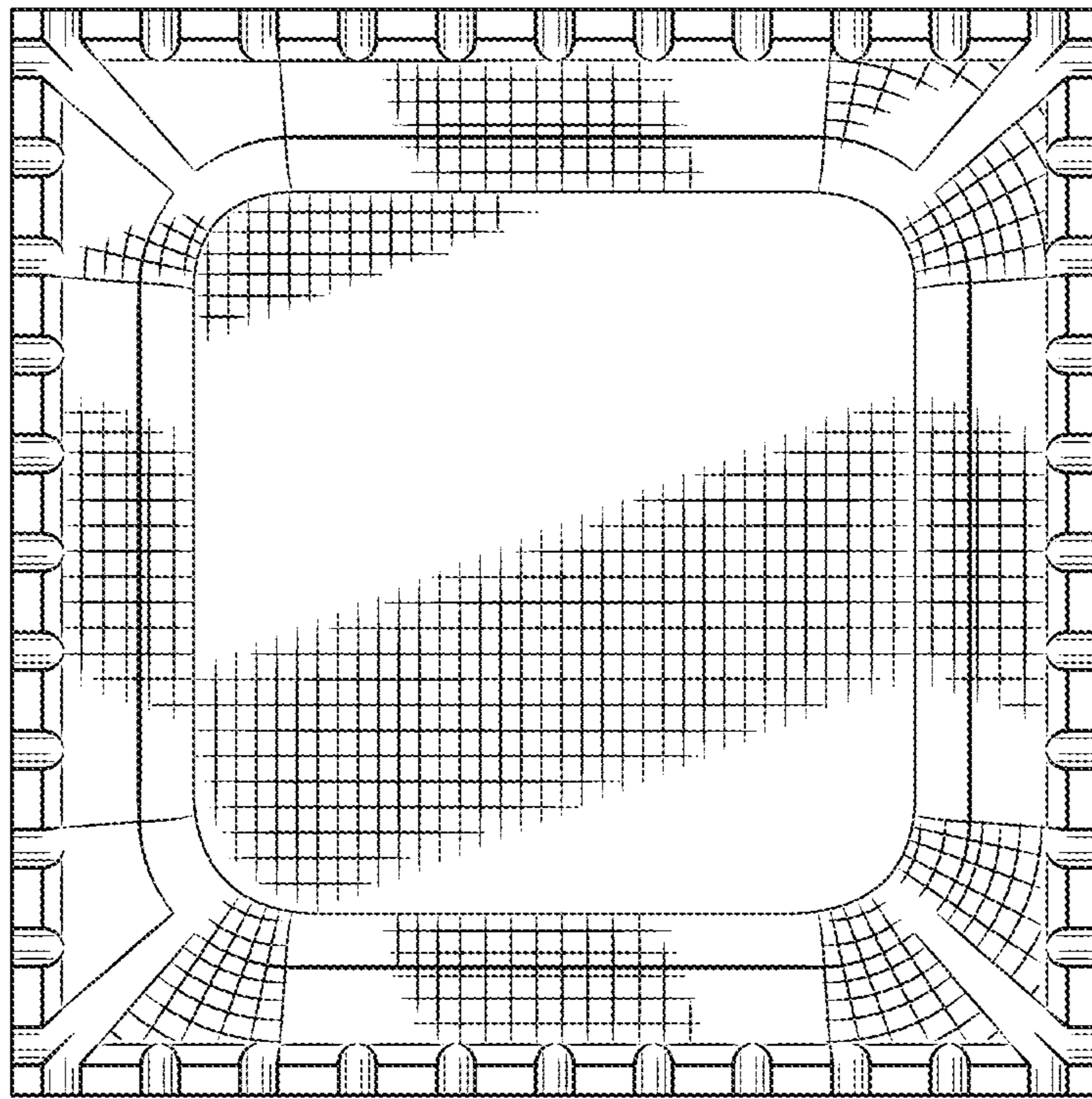


FIG. 4

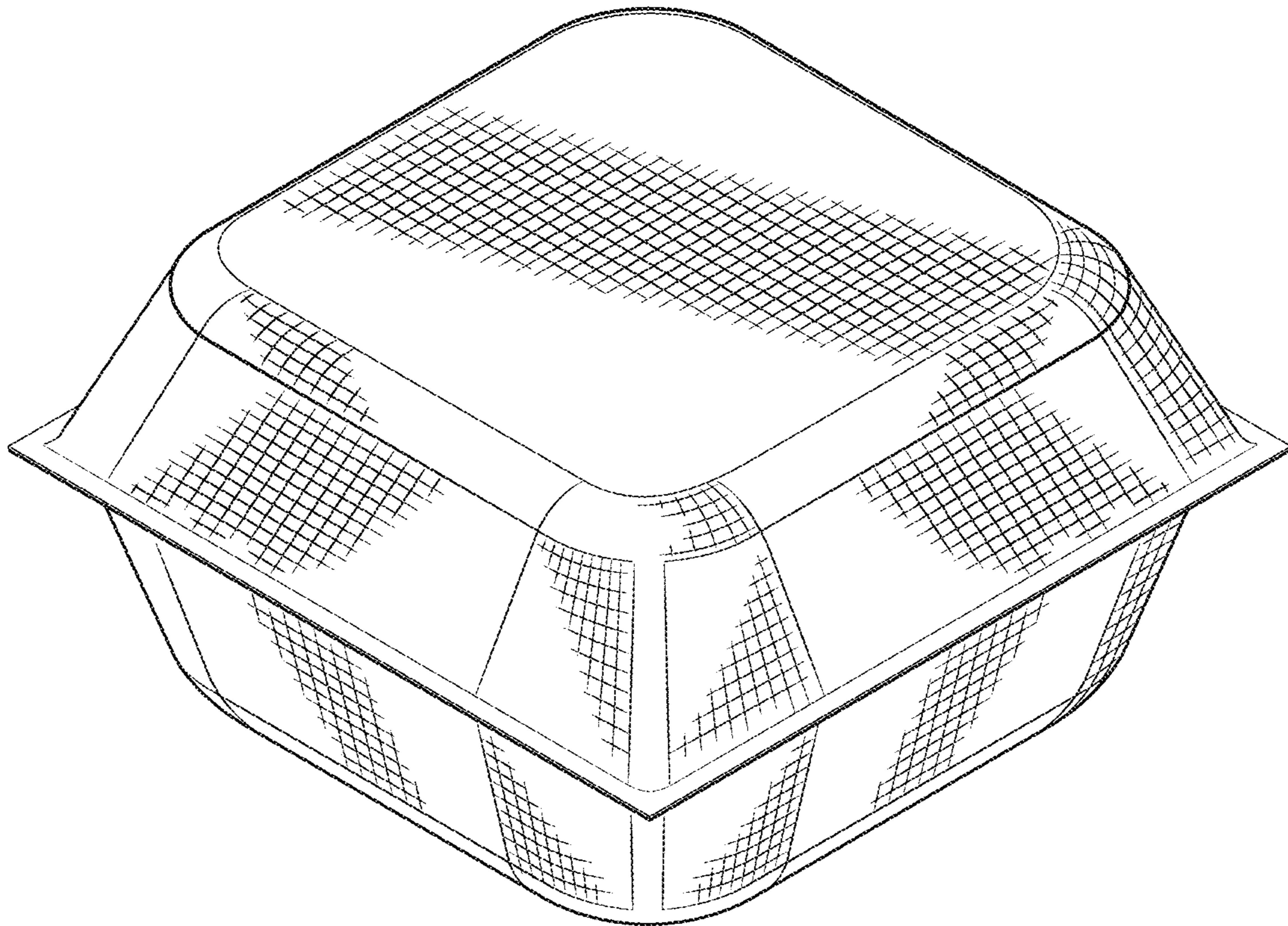


FIG. 5

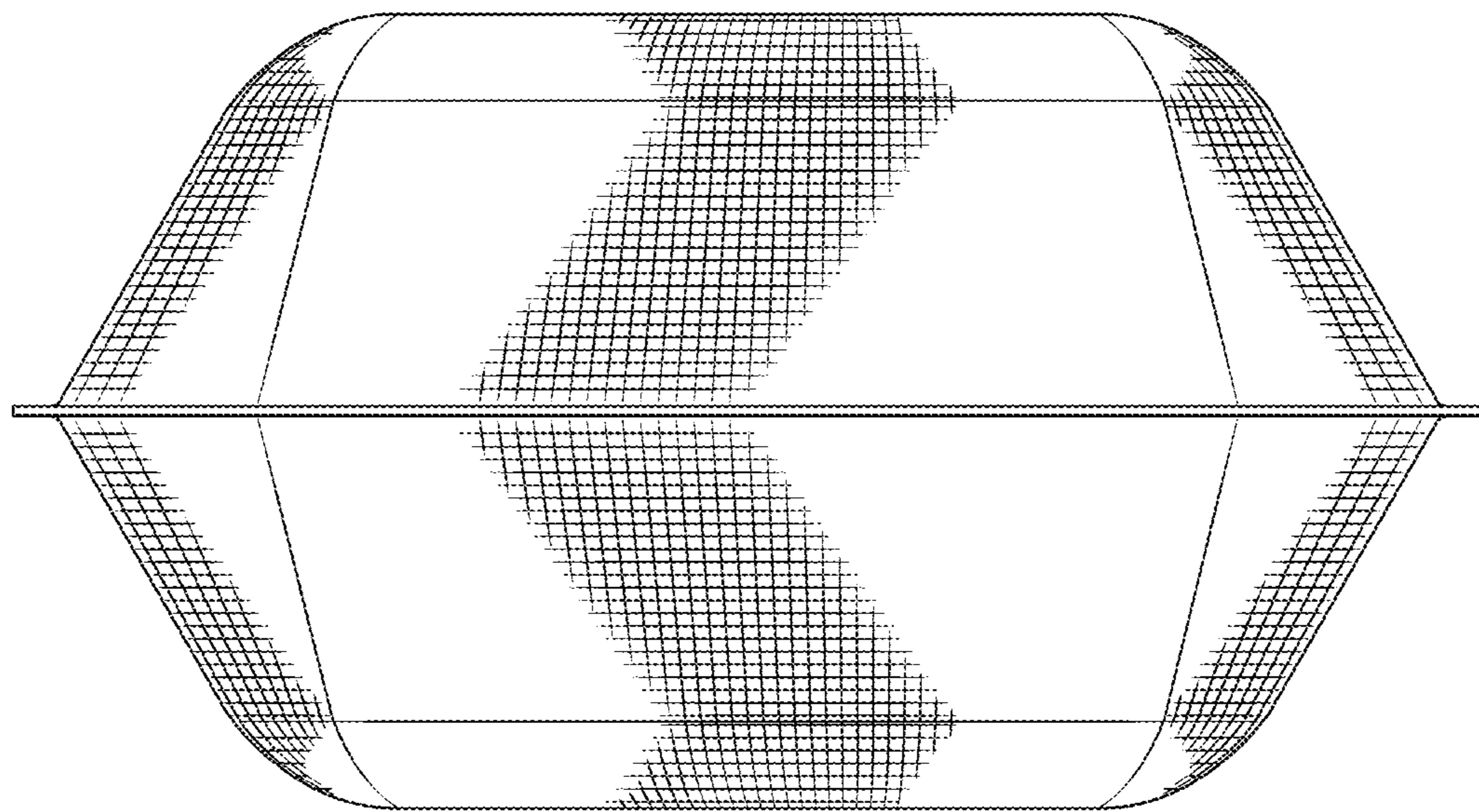


FIG. 6

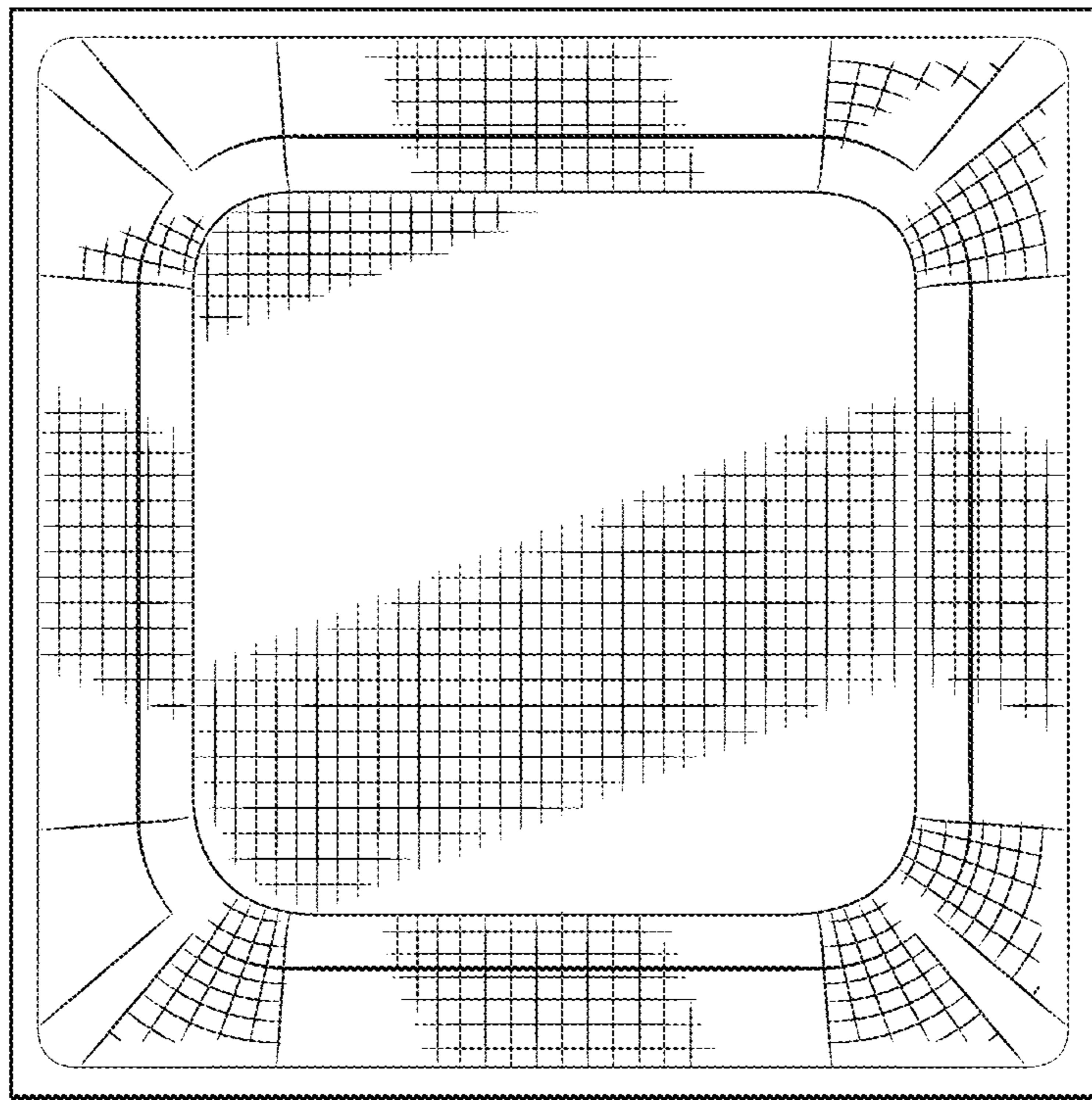


FIG. 7

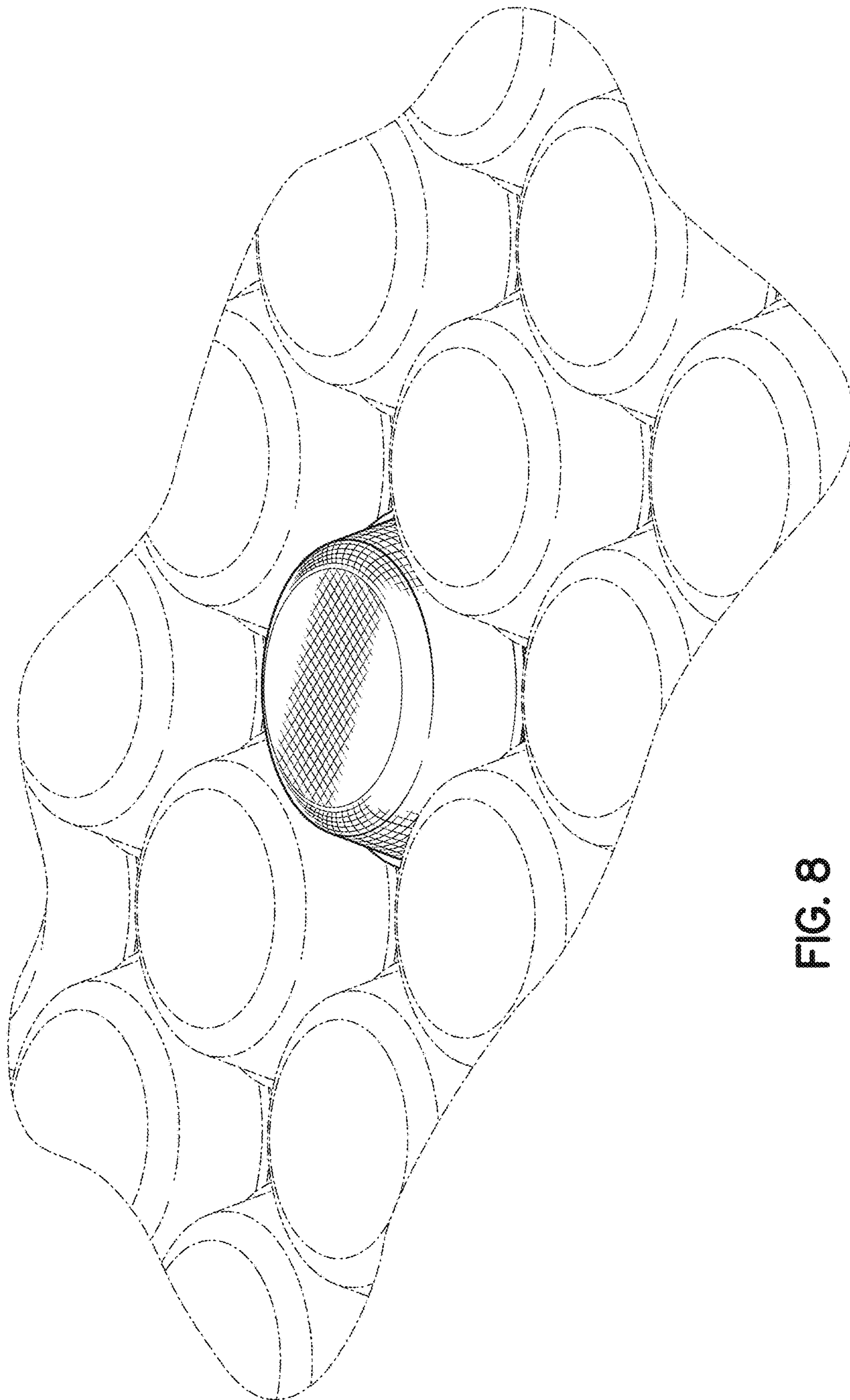


FIG. 8



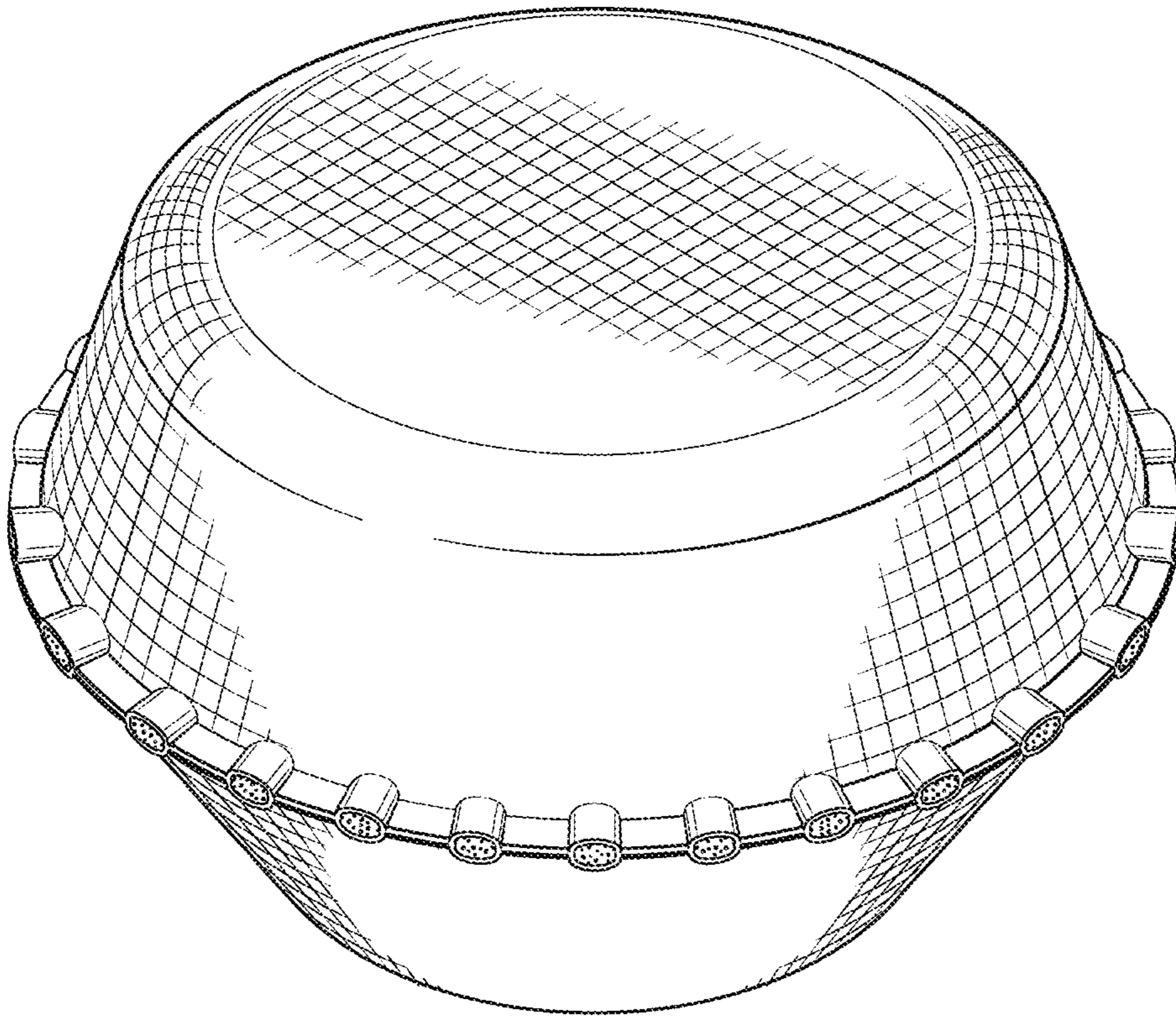


FIG. 9

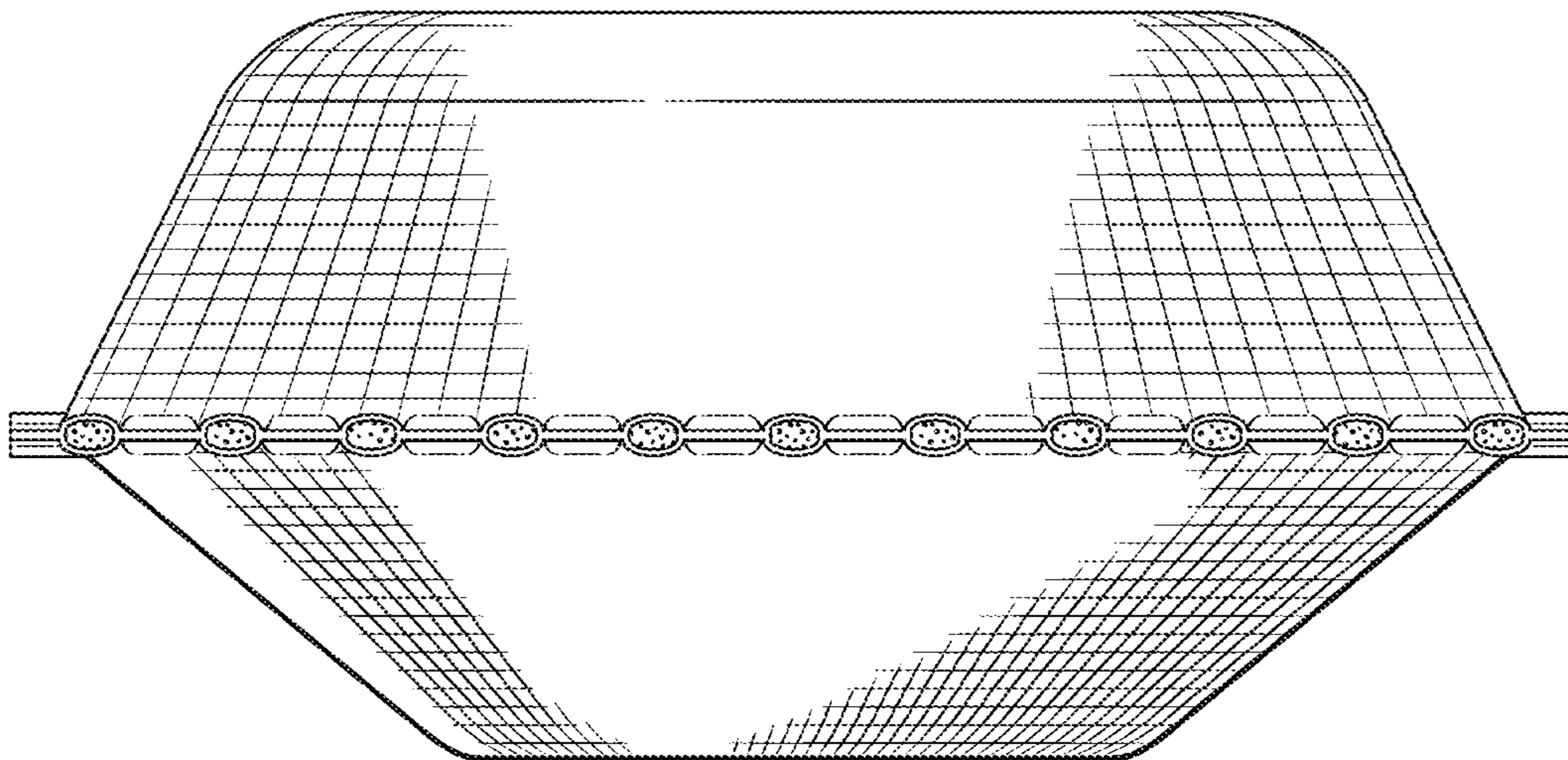


FIG. 10

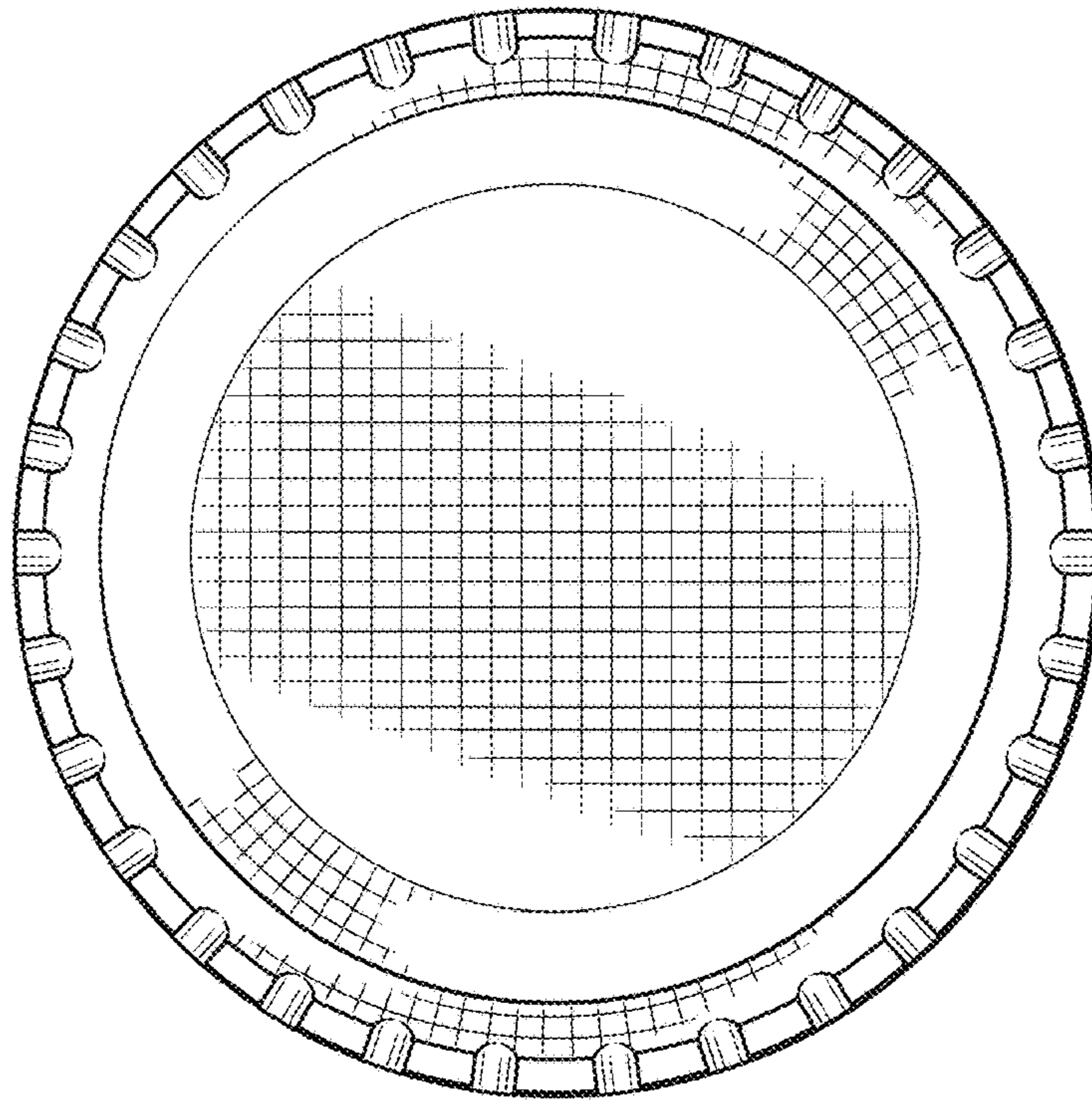


FIG. 11

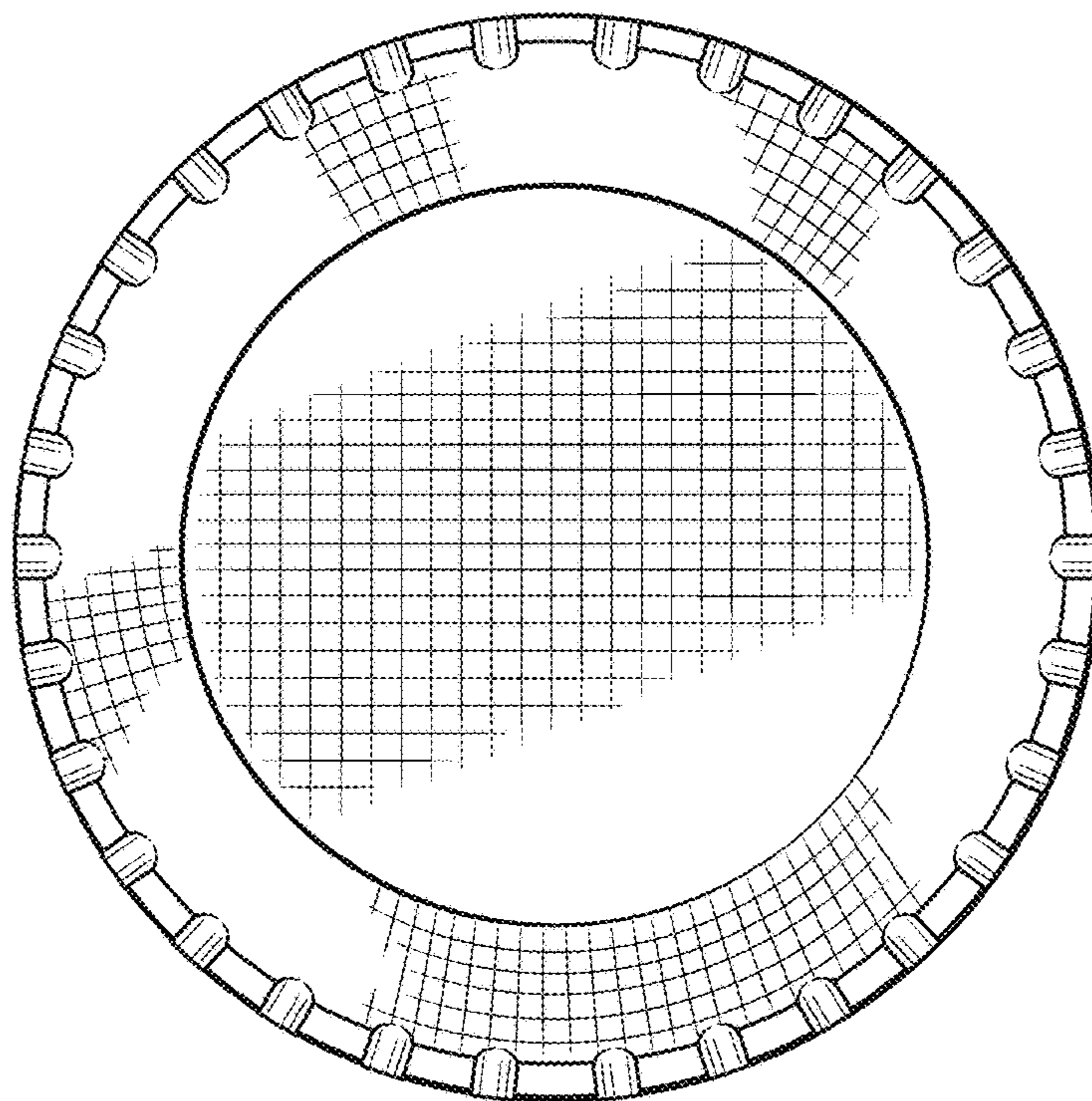


FIG. 12

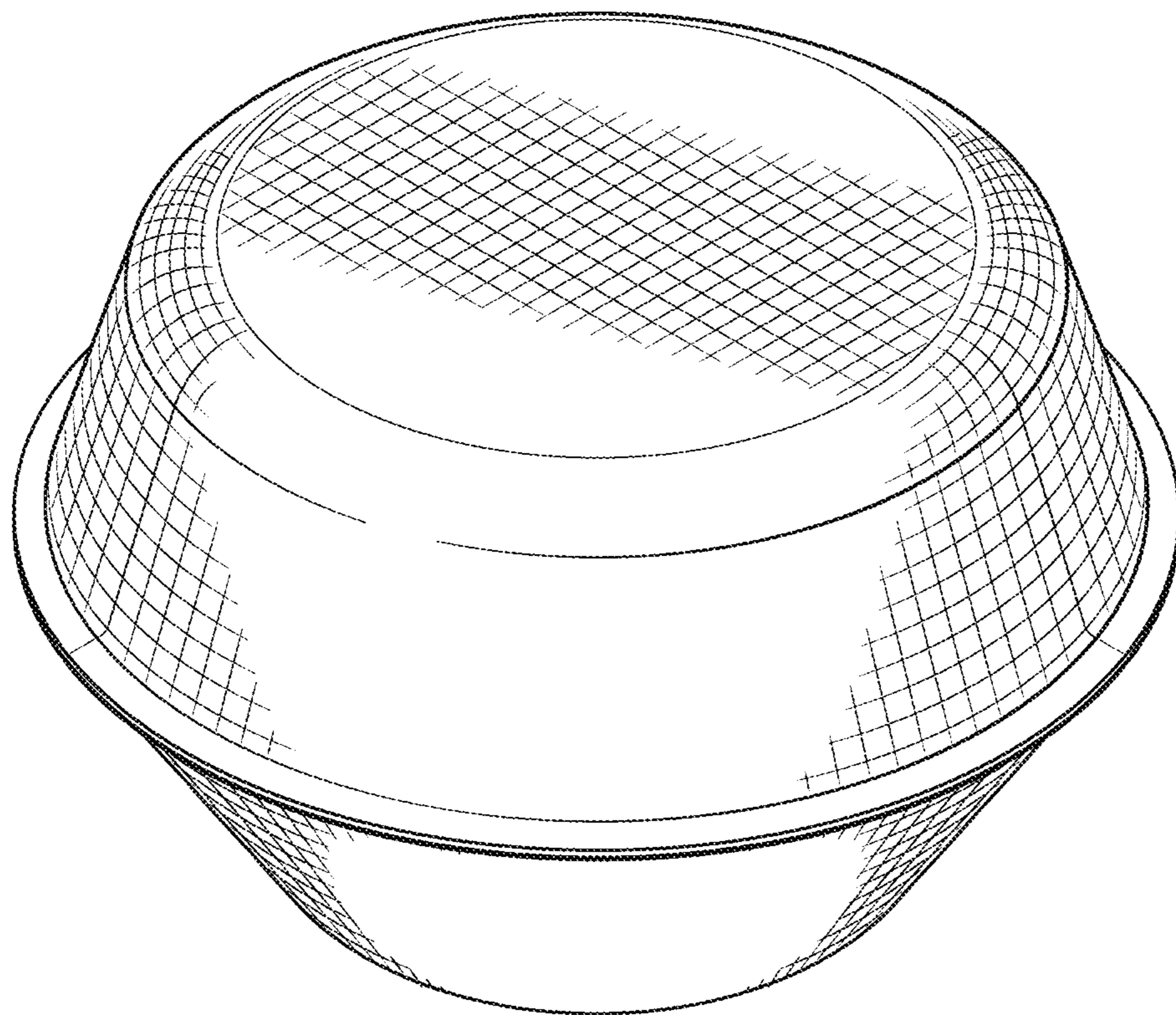


FIG. 13

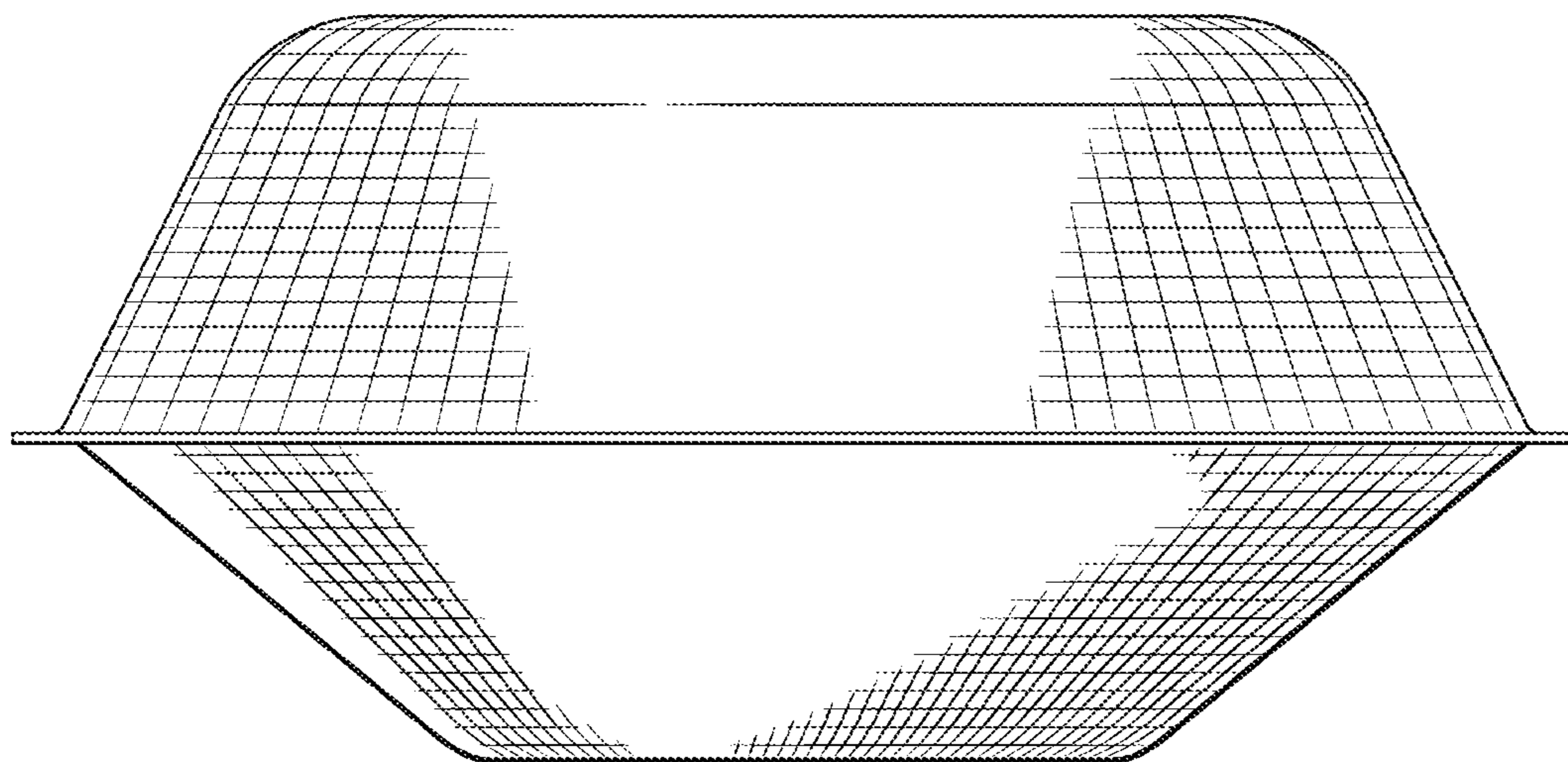


FIG. 14

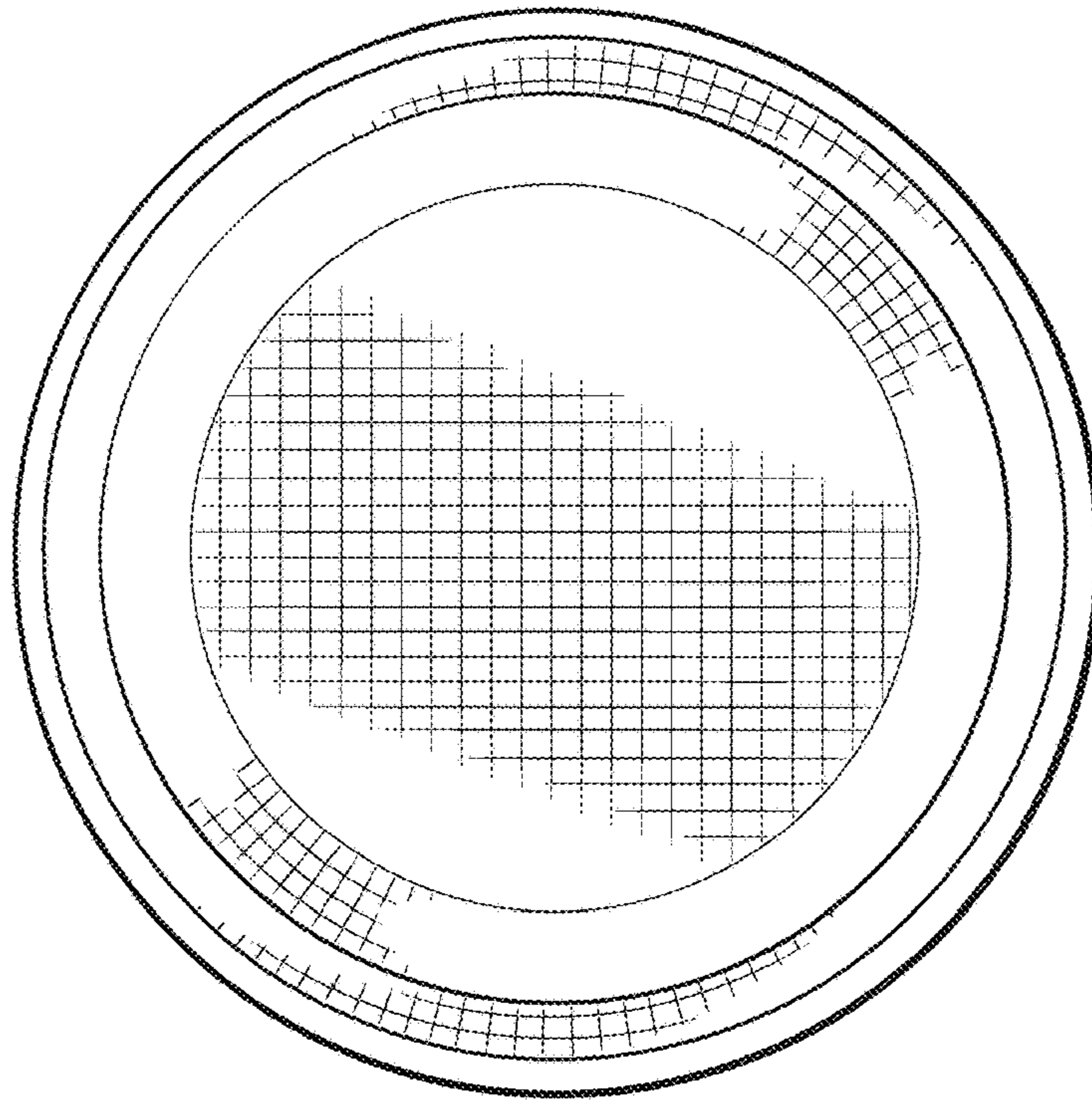


FIG. 15

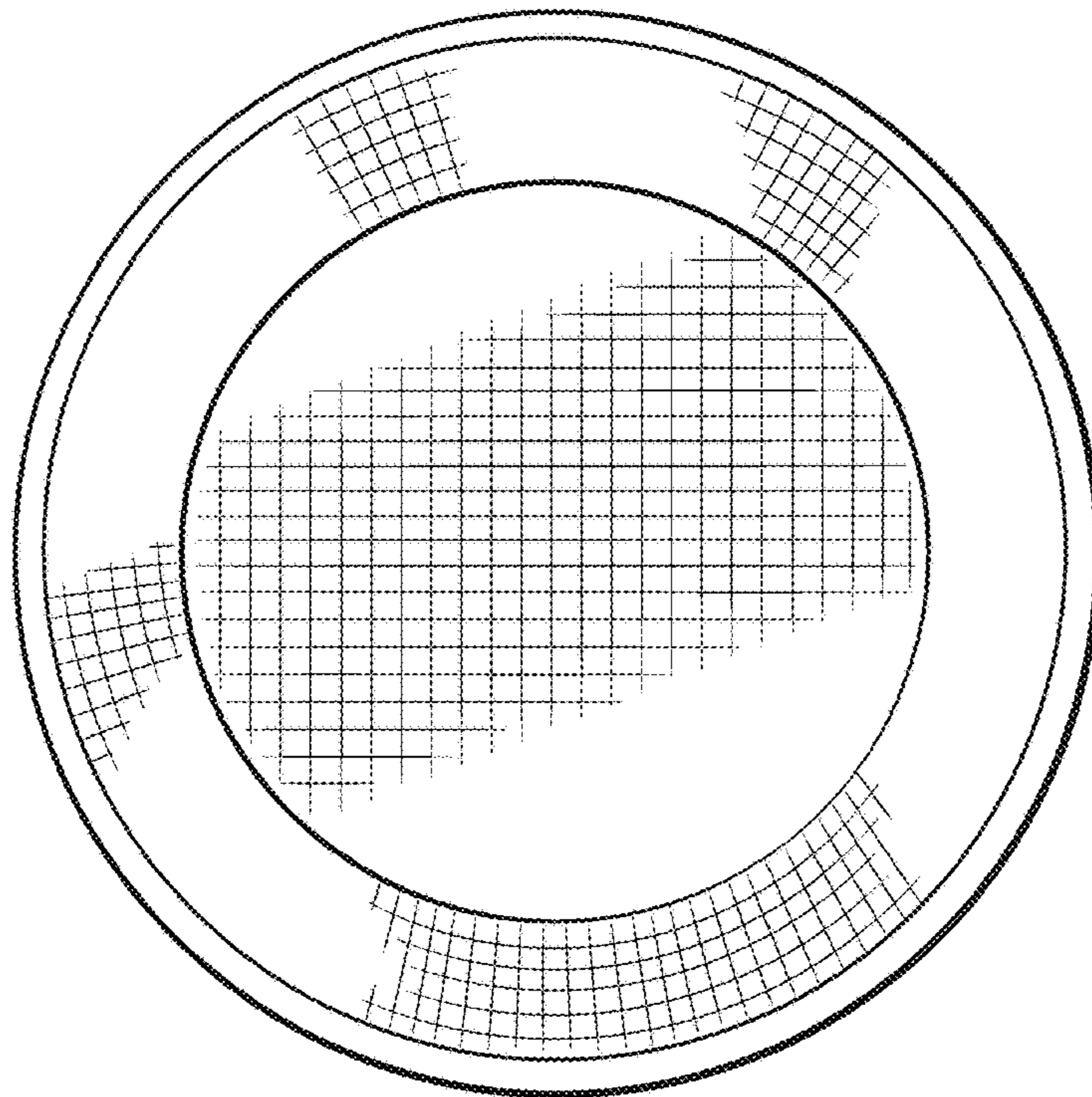


FIG. 16

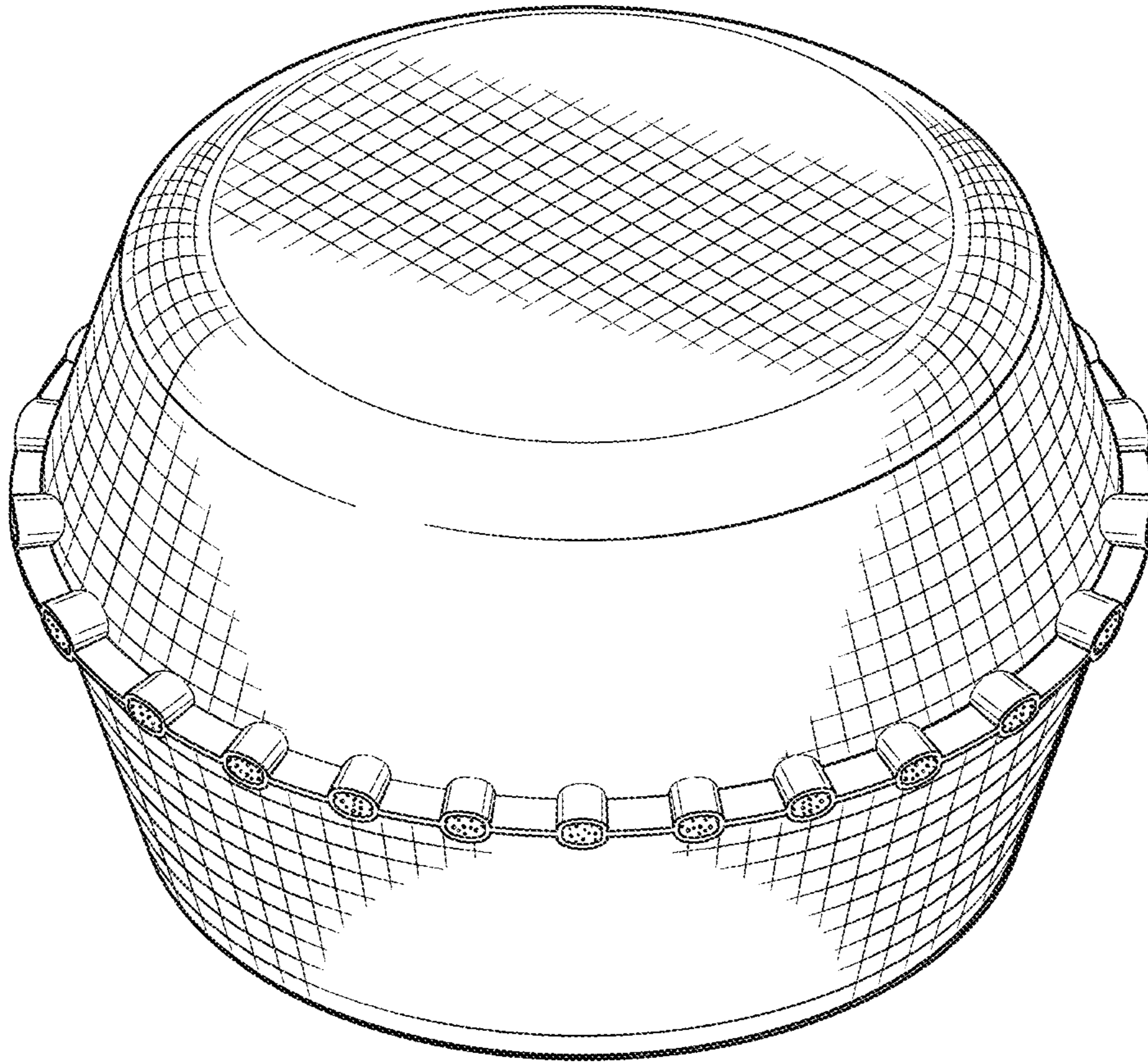


FIG. 17

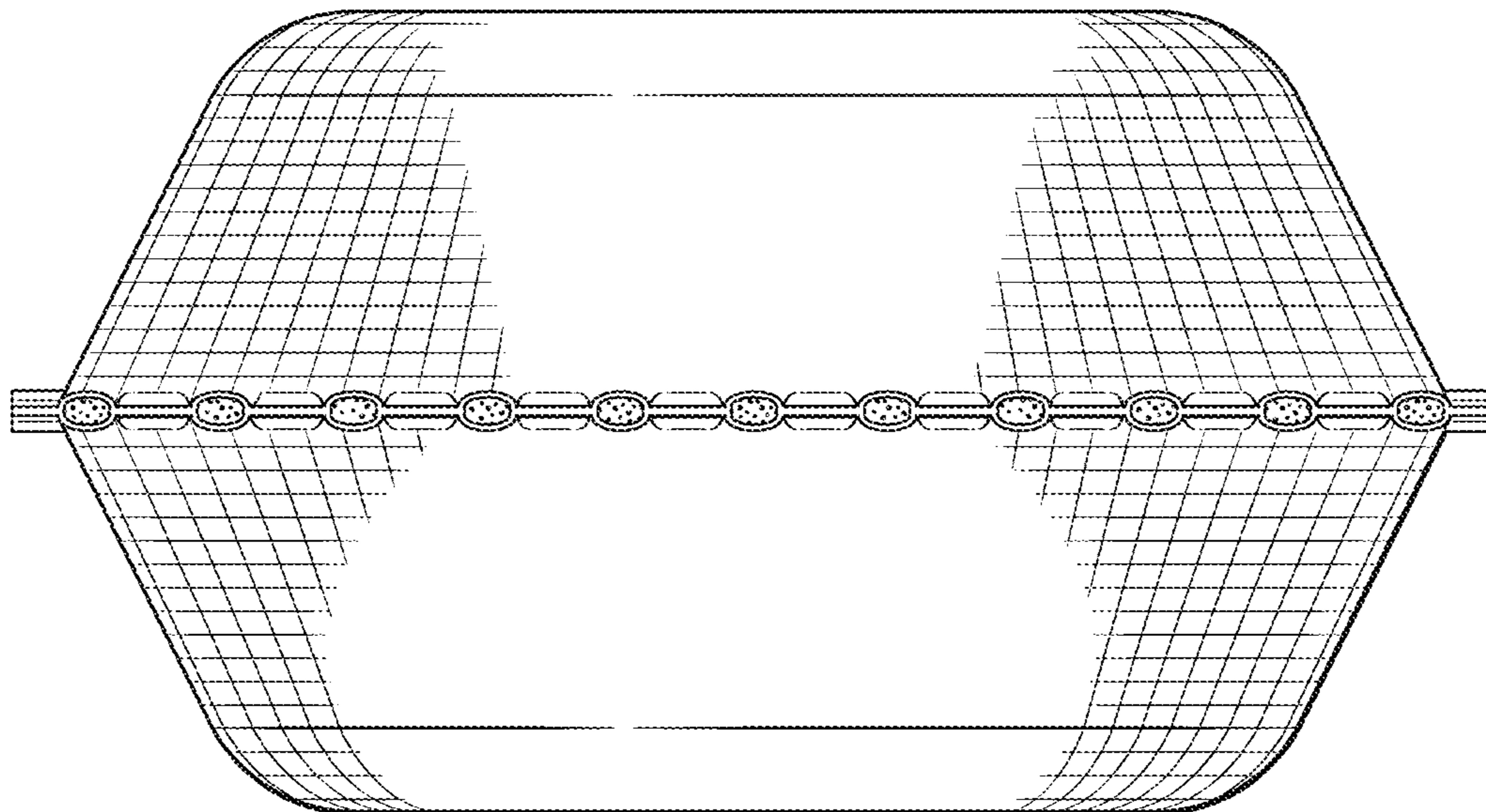


FIG. 18

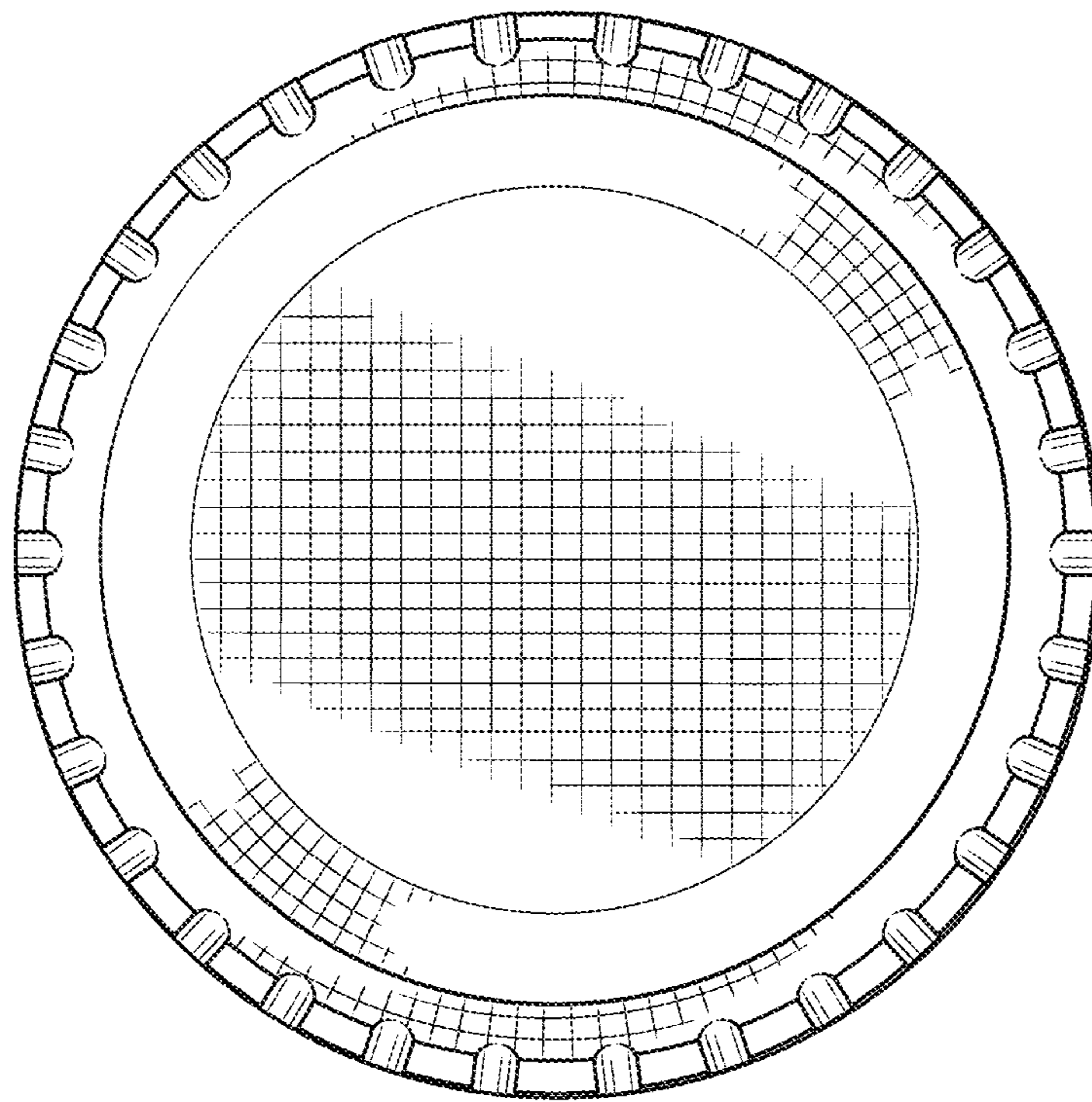


FIG. 19

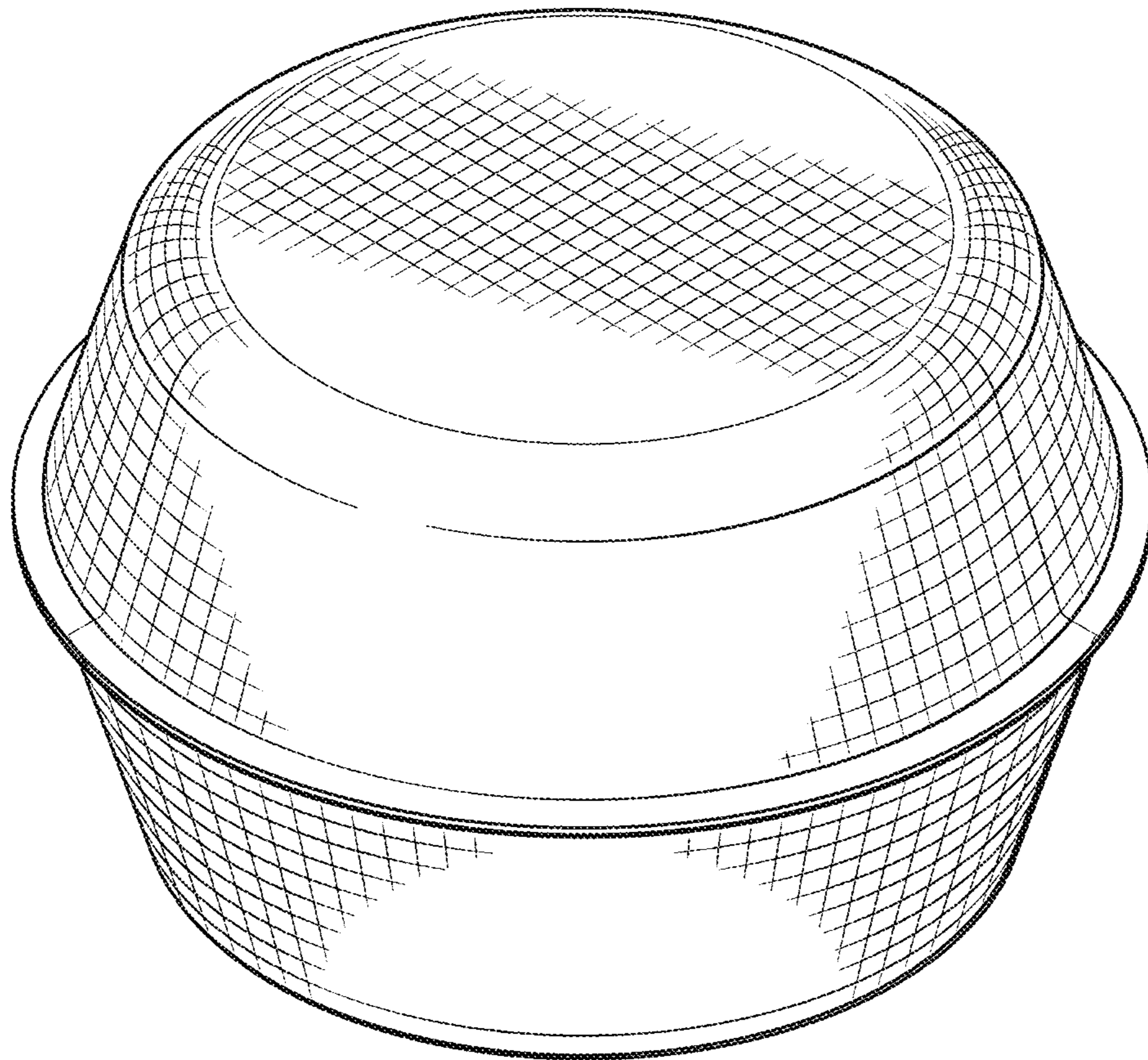


FIG. 20

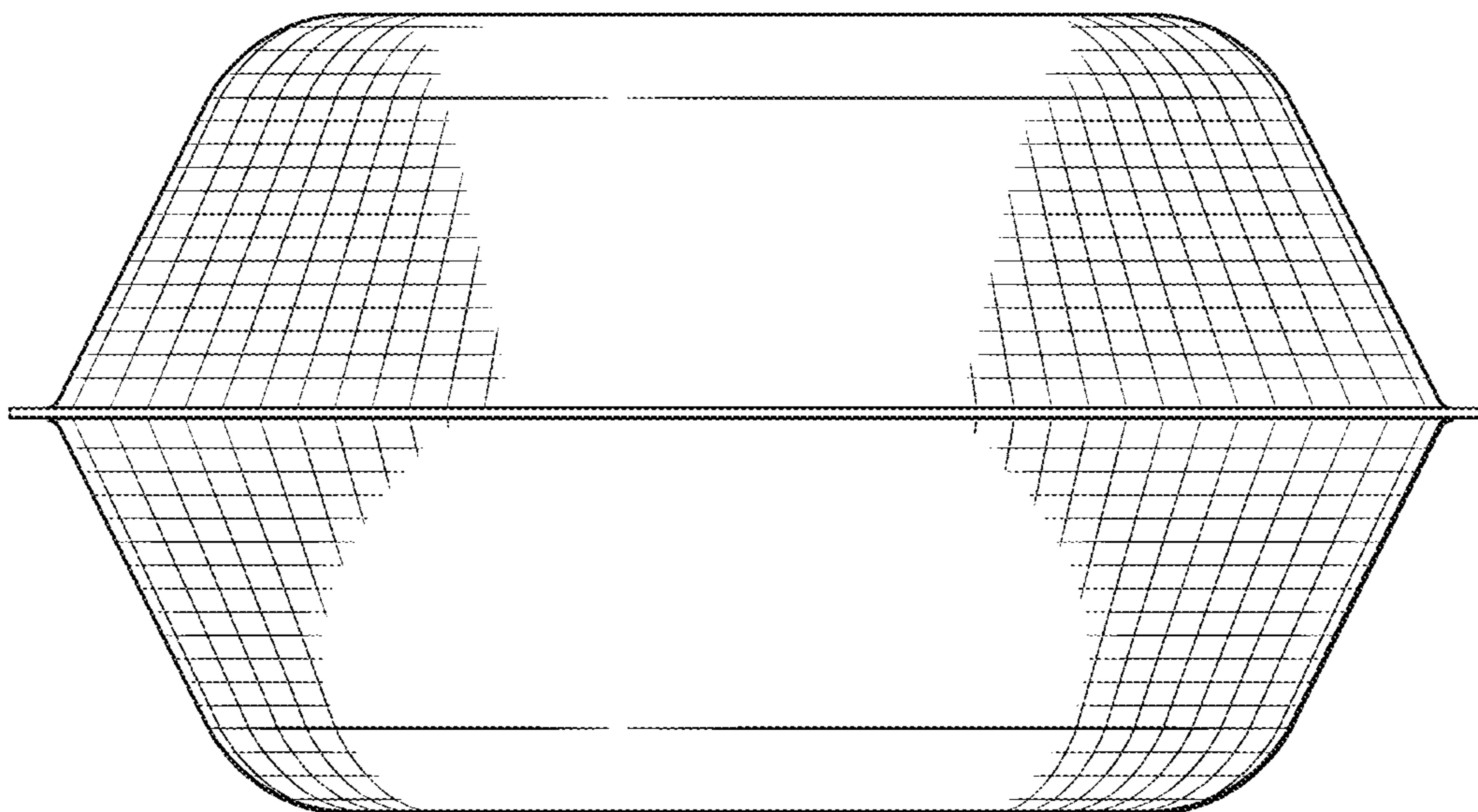


FIG. 21

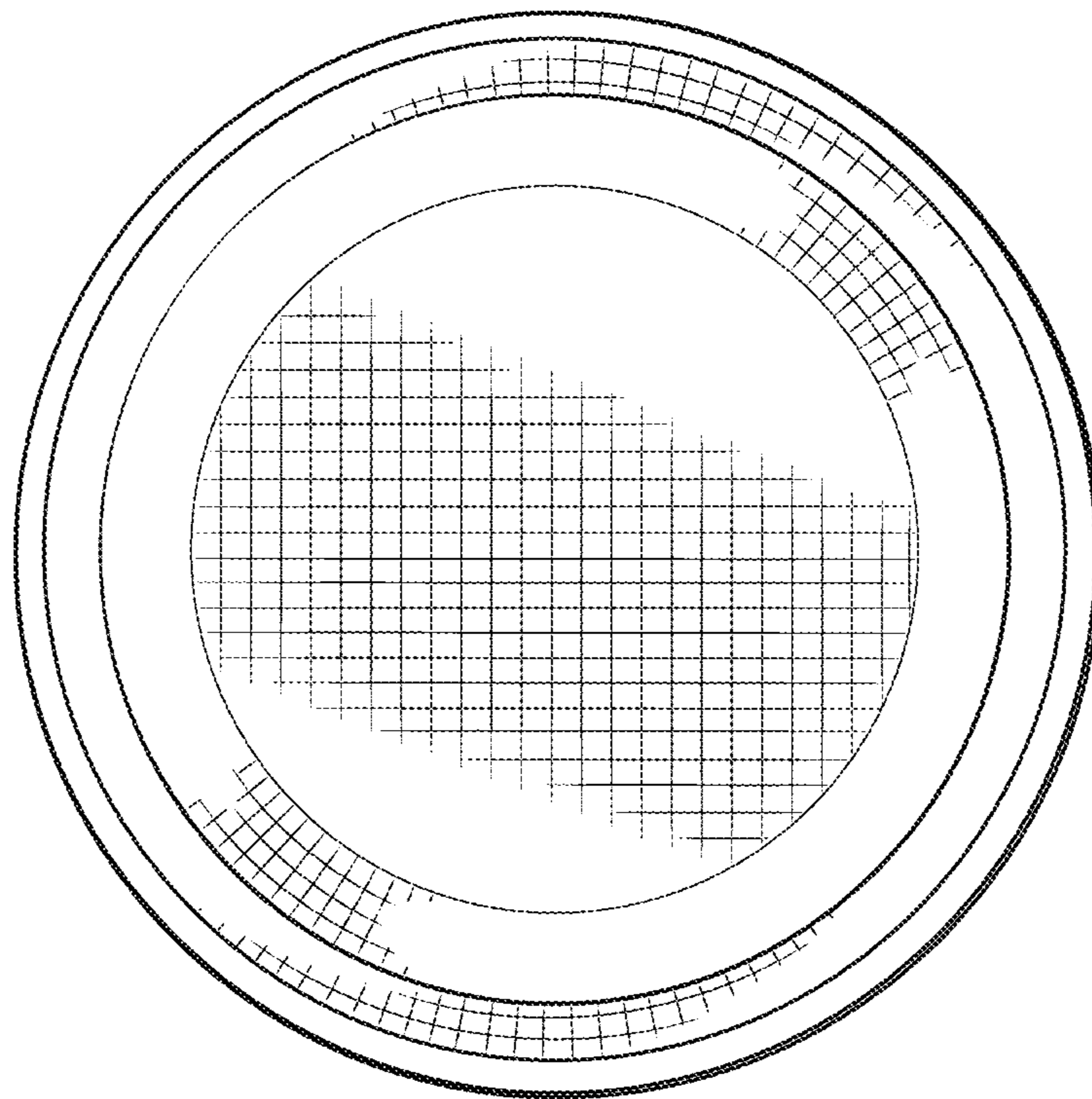


FIG. 22