



US00D880214S

(12) **United States Design Patent**  
**Lisenbee et al.**

(10) **Patent No.:** **US D880,214 S**  
(45) **Date of Patent:** **\*\* Apr. 7, 2020**

(54) **POCKETED SPRING COMFORT LAYER**

- (71) Applicant: **L&P Property Management Company**, South Gate, CA (US)
- (72) Inventors: **Kyle S. Lisenbee**, Carl Junction, MO (US); **Darrell A. Richmond**, Carthage, MO (US)
- (73) Assignee: **L&P Property Management Company**, South Gate, CA (US)
- (\*\*) Term: **15 Years**
- (21) Appl. No.: **29/658,779**
- (22) Filed: **Aug. 2, 2018**

**Related U.S. Application Data**

- (63) Continuation-in-part of application No. 16/018,646, filed on Jun. 26, 2018.
- (51) **LOC (12) Cl.** ..... **06-06**
- (52) **U.S. Cl.**  
USPC ..... **D6/718.31; D6/606**
- (58) **Field of Classification Search**  
USPC ..... D6/718, 718.31, 606; D9/424, 425, 426, D9/428  
CPC ..... A47C 27/04; A47C 27/053; A47C 27/06; A47C 27/063; A47C 27/064; A47C 27/066  
See application file for complete search history.

(56) **References Cited**

**U.S. PATENT DOCUMENTS**

- 1,406,051 A \* 2/1922 Marcus ..... A47C 27/04 5/655.8
- 3,462,779 A \* 8/1969 Thompson ..... A47C 27/063 5/655.8
- 4,234,983 A 11/1980 Stumpf

(Continued)

**FOREIGN PATENT DOCUMENTS**

- EP 1067090 1/2001
- EP 1707081 4/2008

(Continued)

**OTHER PUBLICATIONS**

Posturfil coils, Aerocoil, and NanoCoil, "Today's Springs Support and Comfort Sleepers on all Points of the Mattress", Bed Times, pp. 7, 8 and 16, Sep. 1, 2017, site visited Jan. 3, 2020, available online at <https://bedtimesmagazine.com/2017/09/springs-support-comfort-sleepers/> (Year: 2017).\*

*Primary Examiner* — Cathron C Brooks

(74) *Attorney, Agent, or Firm* — Wood, Herron & Evans, LLP

(57) **CLAIM**

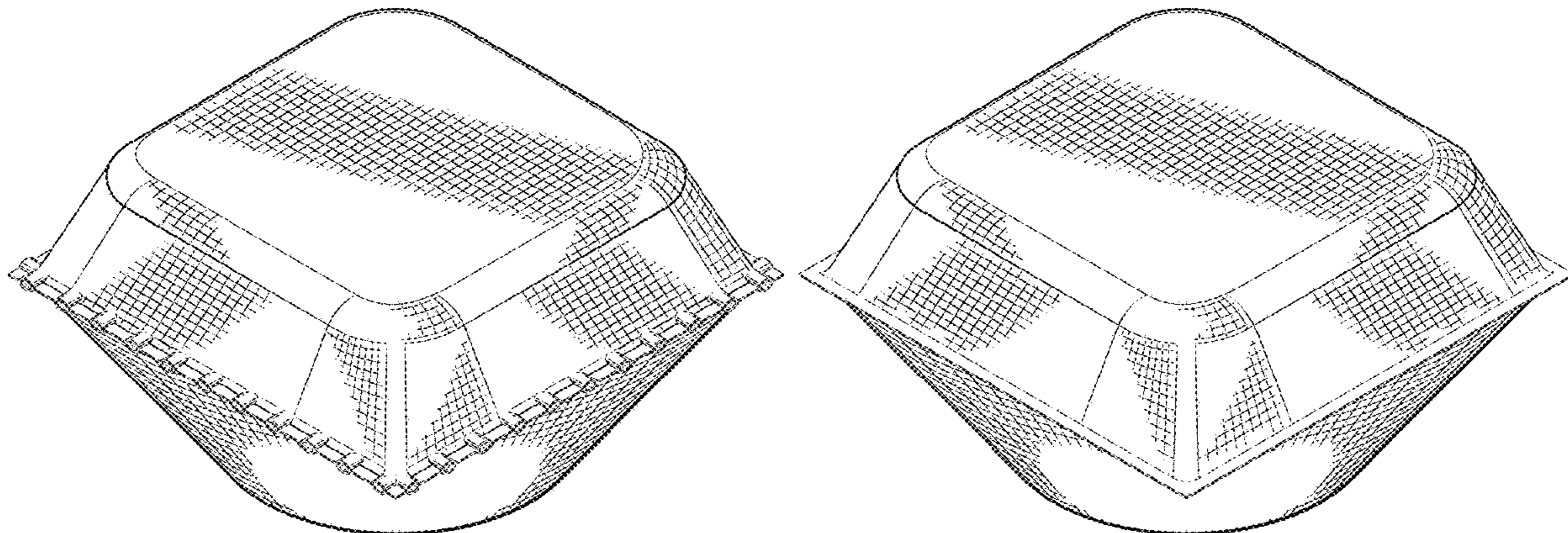
The ornamental design for a pocketed spring comfort layer, as shown and described.

**DESCRIPTION**

FIG. 1 is a top perspective view of a pocketed spring comfort layer illustrating our new design;  
 FIG. 2 is a top perspective view thereof, but shown without the environmental subject matter;  
 FIG. 3 is a front view thereof; the rear, right and left views being identical;  
 FIG. 4 is a top view thereof;  
 FIG. 5 is a bottom view thereof;  
 FIG. 6 is a top perspective view of another embodiment of the pocketed spring comfort layer;  
 FIG. 7 is a front view thereof; the rear, right and left views being identical;  
 FIG. 8 is a top view thereof; and,  
 FIG. 9 is bottom view thereof.

Any elements shown in broken lines form no part of the claimed invention, and are instead included to show environmental aspects of the claimed invention.

**1 Claim, 5 Drawing Sheets**



(56)

References Cited

U.S. PATENT DOCUMENTS

4,451,946 A 6/1984 Stumpf  
 4,485,506 A 12/1984 Stumpf et al.  
 4,573,741 A 3/1986 Kirchner-Carl  
 4,574,099 A 3/1986 Nixon  
 4,594,278 A 6/1986 Nixon  
 5,105,488 A 4/1992 Hutchinson et al.  
 5,438,718 A 8/1995 Kelly et al.  
 6,154,908 A 12/2000 Wells  
 6,319,864 B1 11/2001 Hannigan et al.  
 6,447,874 B2 9/2002 Antinori et al.  
 6,537,930 B1 3/2003 Middlesworth et al.  
 D472,805 S \* 4/2003 Jowett ..... D9/426  
 D473,138 S \* 4/2003 Jowett ..... D9/425  
 D473,139 S \* 4/2003 Jowett ..... D9/425  
 6,591,436 B2 \* 7/2003 de Santis ..... B65B 9/073  
 5/655.8  
 6,591,438 B1 7/2003 Edling  
 6,598,251 B2 7/2003 Habboub et al.  
 6,602,809 B1 8/2003 Cabrey  
 D479,127 S \* 9/2003 Jowett ..... D9/425  
 6,706,225 B2 3/2004 Cabrey  
 6,826,796 B1 12/2004 Mossbeck  
 6,862,763 B2 3/2005 Mossbeck et al.  
 6,883,196 B2 4/2005 Barber  
 7,410,030 B2 8/2008 Fusiki et al.  
 D589,342 S \* 3/2009 Maslowski ..... D9/428  
 7,622,406 B2 11/2009 Holland et al.  
 7,636,972 B2 12/2009 Mossbeck et al.  
 D618,547 S \* 6/2010 Manning ..... D9/425  
 7,788,952 B2 9/2010 Morrison  
 7,820,570 B2 10/2010 Holland et al.  
 7,828,029 B2 11/2010 Holland et al.  
 7,877,964 B2 2/2011 Spinks et al.  
 8,011,046 B2 9/2011 Stjerna  
 8,087,114 B2 1/2012 Lundevall  
 8,136,187 B2 3/2012 Mossbeck et al.  
 8,157,051 B2 4/2012 Marcel et al.  
 8,322,487 B1 12/2012 Kitchen et al.  
 8,464,830 B2 6/2013 Ishikawa et al.  
 8,474,078 B2 7/2013 Mossbeck  
 8,574,700 B2 11/2013 Hattori  
 8,695,757 B2 4/2014 Duval et al.  
 9,133,615 B2 9/2015 Bischoff et al.  
 9,314,110 B2 \* 4/2016 Ahlqvist ..... A47C 27/064  
 9,635,952 B1 5/2017 Anthony et al.  
 9,943,173 B2 4/2018 Krtek et al.  
 9,968,202 B2 5/2018 Long  
 10,405,665 B2 \* 9/2019 Long ..... A47G 9/00

2002/0025747 A1 2/2002 Rock et al.  
 2003/0009831 A1 1/2003 Giori et al.  
 2003/0104735 A1 6/2003 Rock et al.  
 2004/0010853 A1 1/2004 Muci et al.  
 2005/0273938 A1 12/2005 Metzger et al.  
 2007/0044243 A1 3/2007 Metzger  
 2007/0137926 A1 6/2007 Albin, Jr. et al.  
 2007/0289069 A1 12/2007 Wells  
 2008/0128965 A1 6/2008 Bock  
 2009/0211028 A1 8/2009 Richmond et al.  
 2009/0222985 A1 9/2009 Richmond et al.  
 2009/0298374 A1 12/2009 Delmas  
 2010/0043148 A1 2/2010 Rose et al.  
 2010/0212090 A1 8/2010 Stjerna  
 2010/0255270 A1 10/2010 Stuebiger  
 2011/0014406 A1 1/2011 Coleman et al.  
 2011/0113551 A1 5/2011 Lin  
 2011/0314613 A1 12/2011 Haffner et al.  
 2012/0286460 A1 \* 11/2012 Tyree ..... A47C 27/064  
 267/91  
 2013/0029550 A1 1/2013 Seth et al.  
 2013/0174350 A1 7/2013 Allman et al.  
 2013/0198941 A1 8/2013 John et al.  
 2014/0287643 A1 9/2014 Nozaki et al.  
 2014/0373282 A1 12/2014 Mossbeck et al.  
 2015/0026893 A1 1/2015 Garrett et al.  
 2015/0230621 A1 8/2015 Spinks et al.  
 2015/0284901 A1 10/2015 Blackwell, Jr. et al.  
 2015/0313371 A1 \* 11/2015 Ahlqvist ..... B68G 9/00  
 5/720  
 2015/0359349 A1 12/2015 Eigenmann et al.  
 2016/0166080 A1 \* 6/2016 Mascull ..... A61G 7/065  
 5/722  
 2016/0235213 A1 8/2016 Long  
 2017/0251820 A1 9/2017 Long  
 2019/0142179 A1 \* 5/2019 Hegg ..... A47C 27/064  
 5/720  
 2019/0216241 A1 \* 7/2019 Codos ..... A47C 21/046  
 2019/0239654 A1 \* 8/2019 Cohen ..... A47C 23/0438  
 2019/0246803 A1 \* 8/2019 Jewett ..... A47C 7/18  
 2019/0343289 A1 \* 11/2019 Long ..... A47C 7/34

FOREIGN PATENT DOCUMENTS

EP 2789267 10/2014  
 GB 167025 2/1921  
 KR 200462261 9/2012  
 WO 2014023975 2/2014  
 WO 2017153427 9/2017

\* cited by examiner

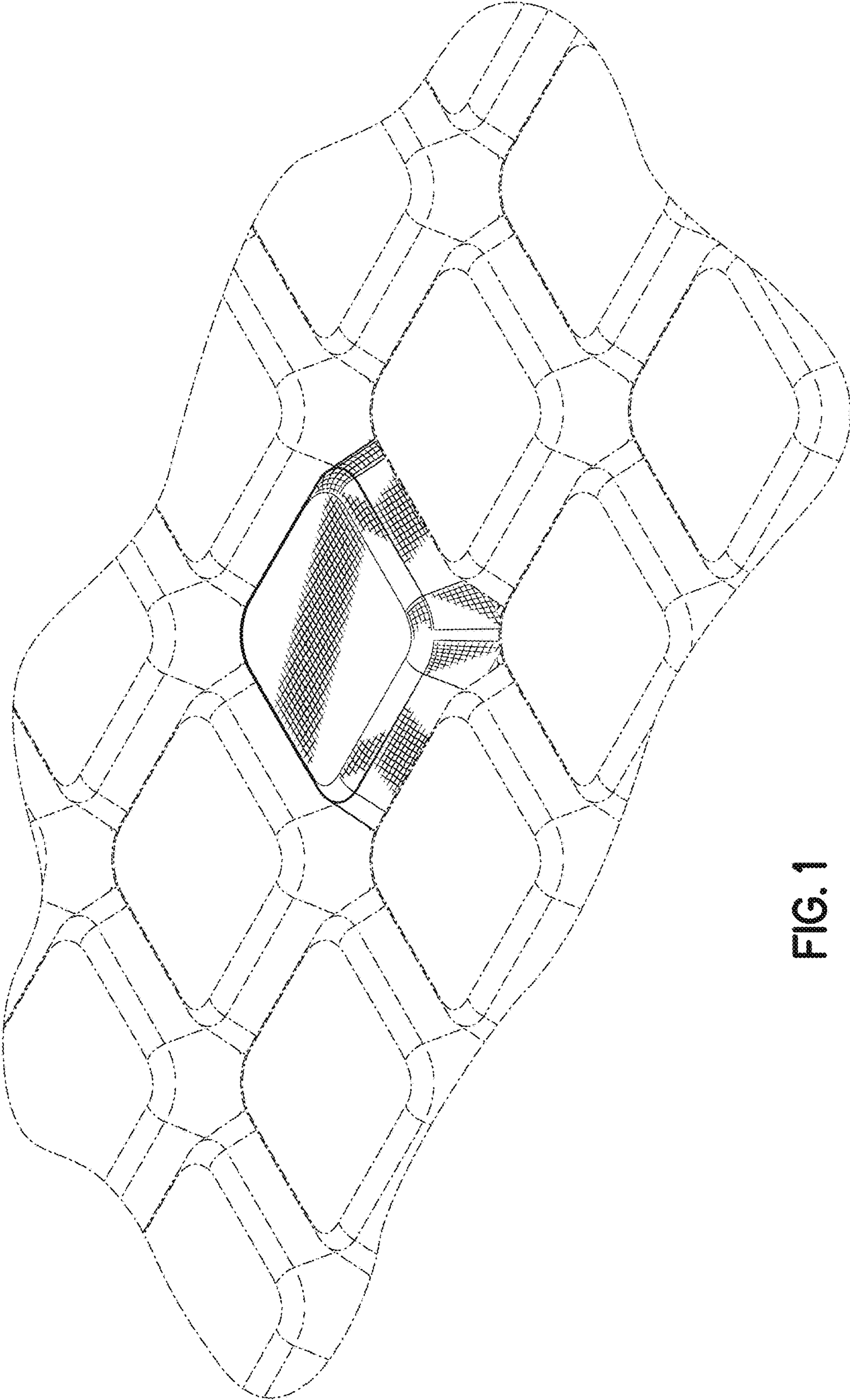


FIG. 1

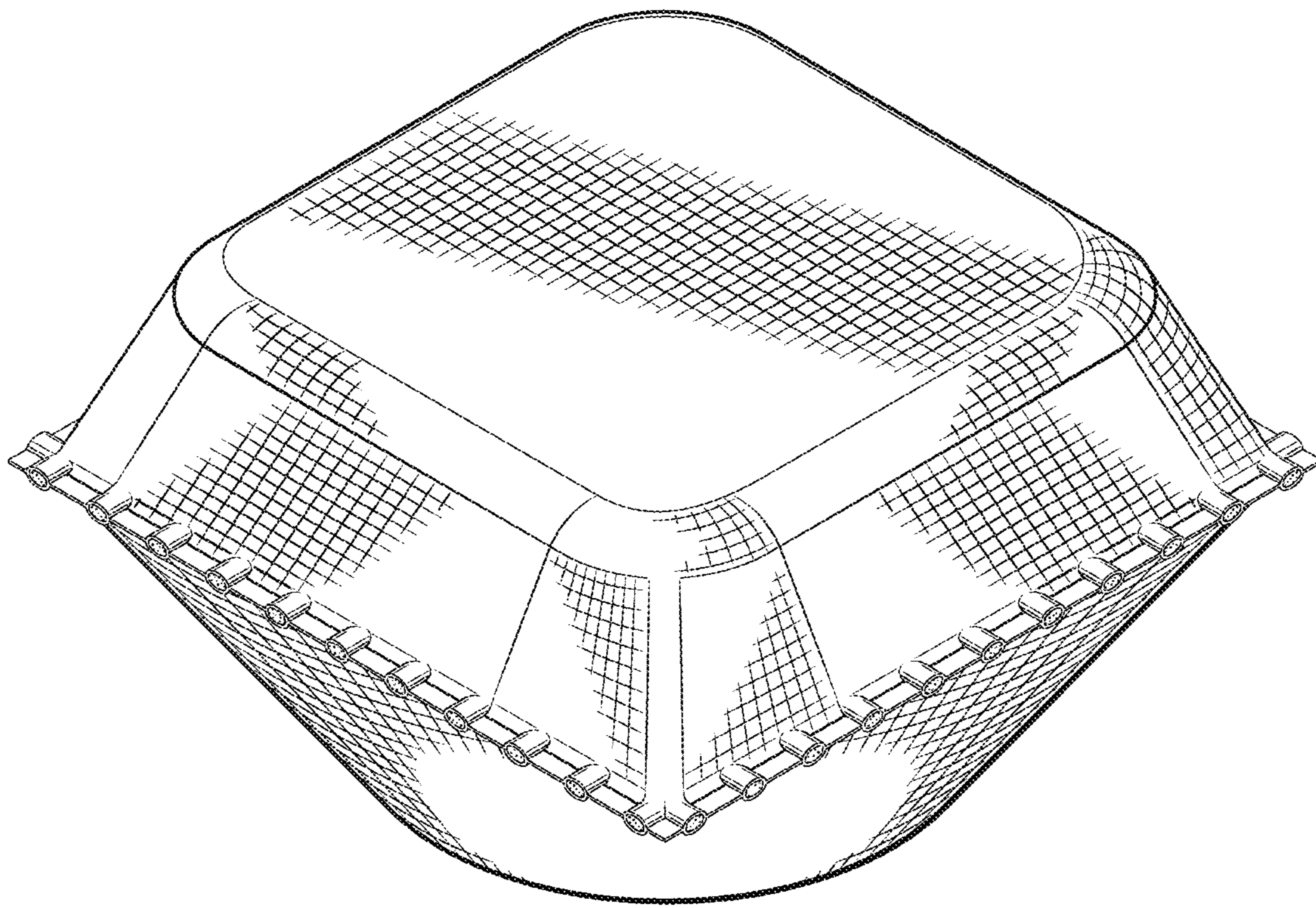


FIG. 2

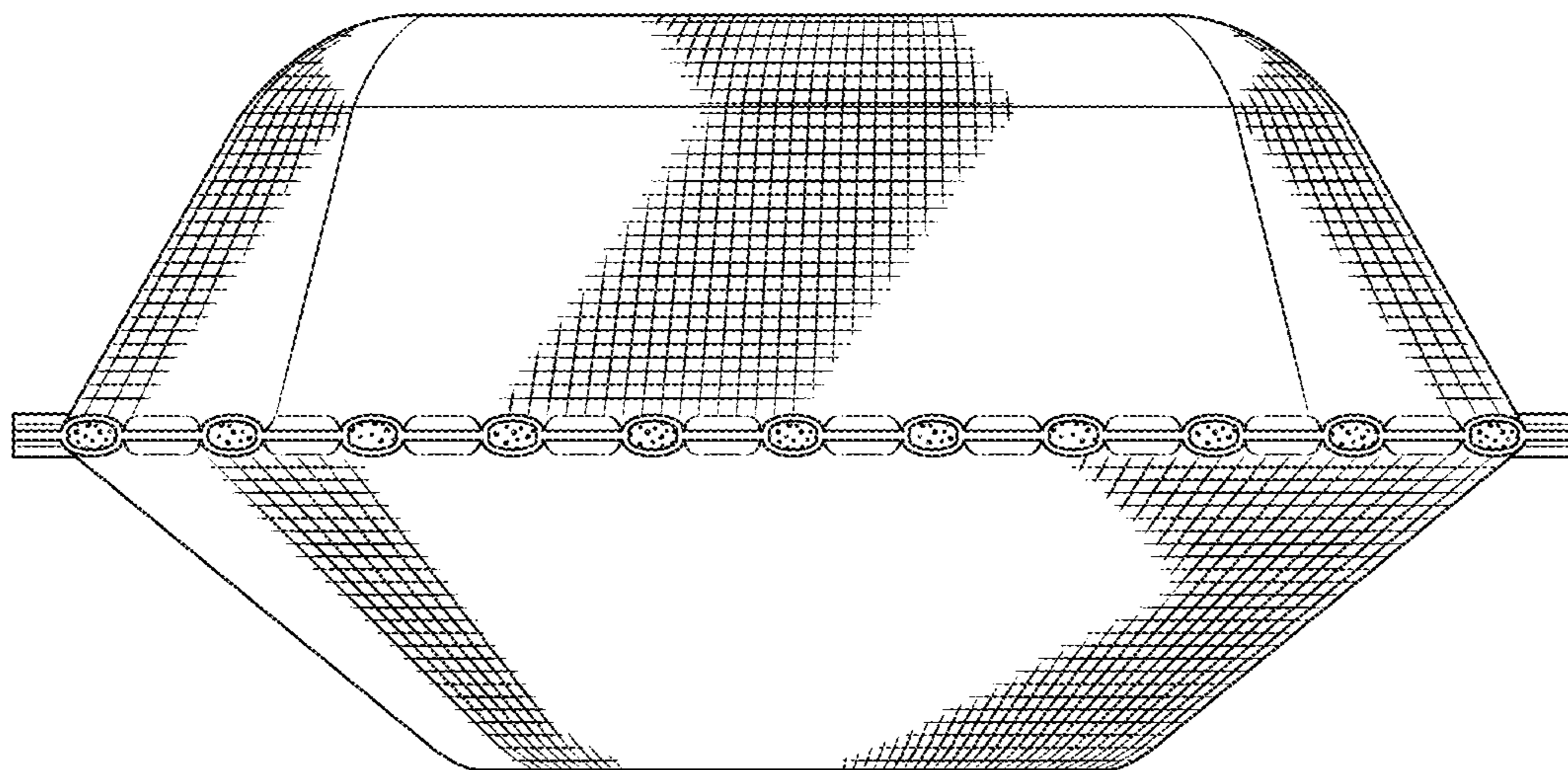


FIG. 3

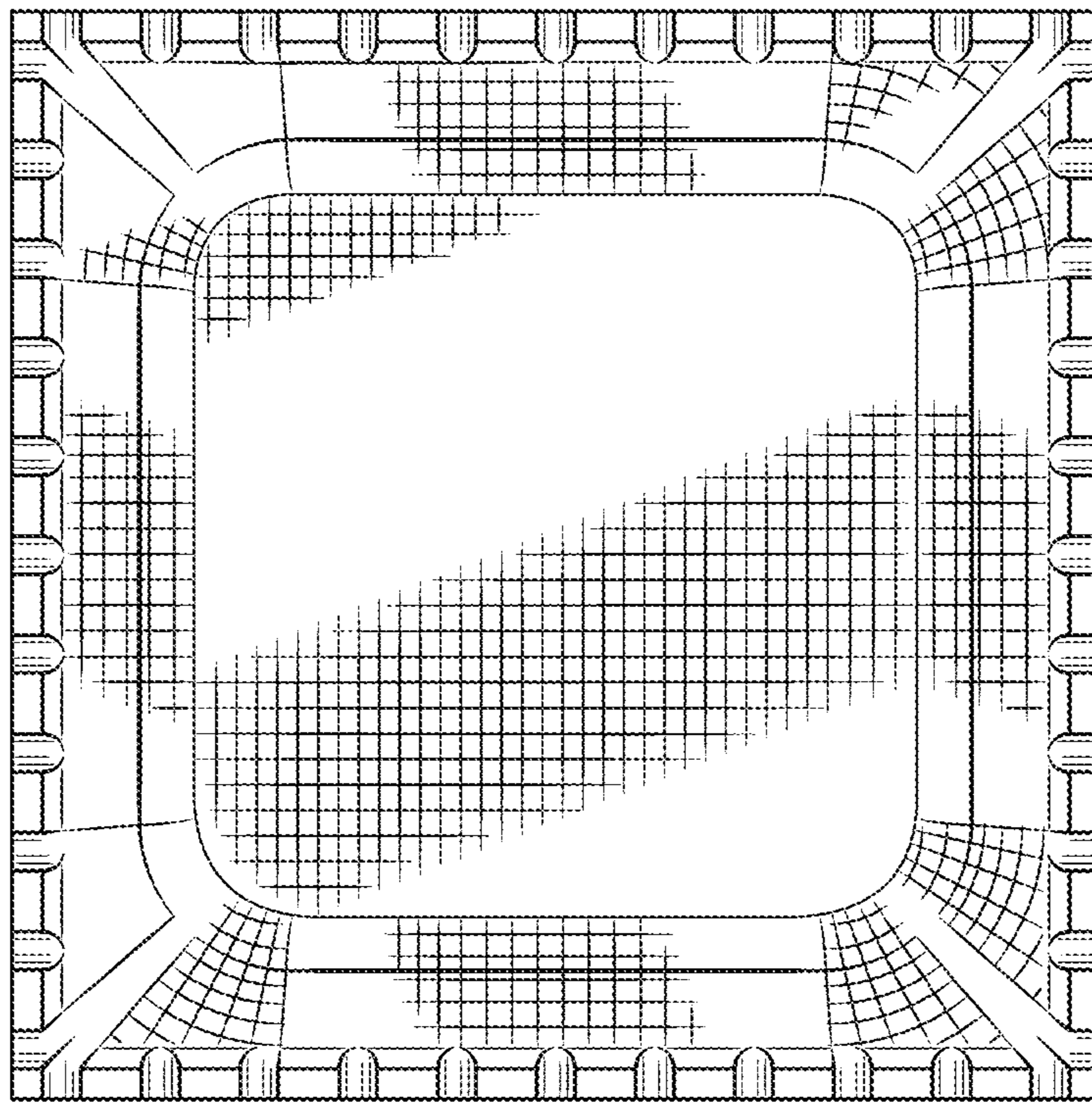


FIG. 4

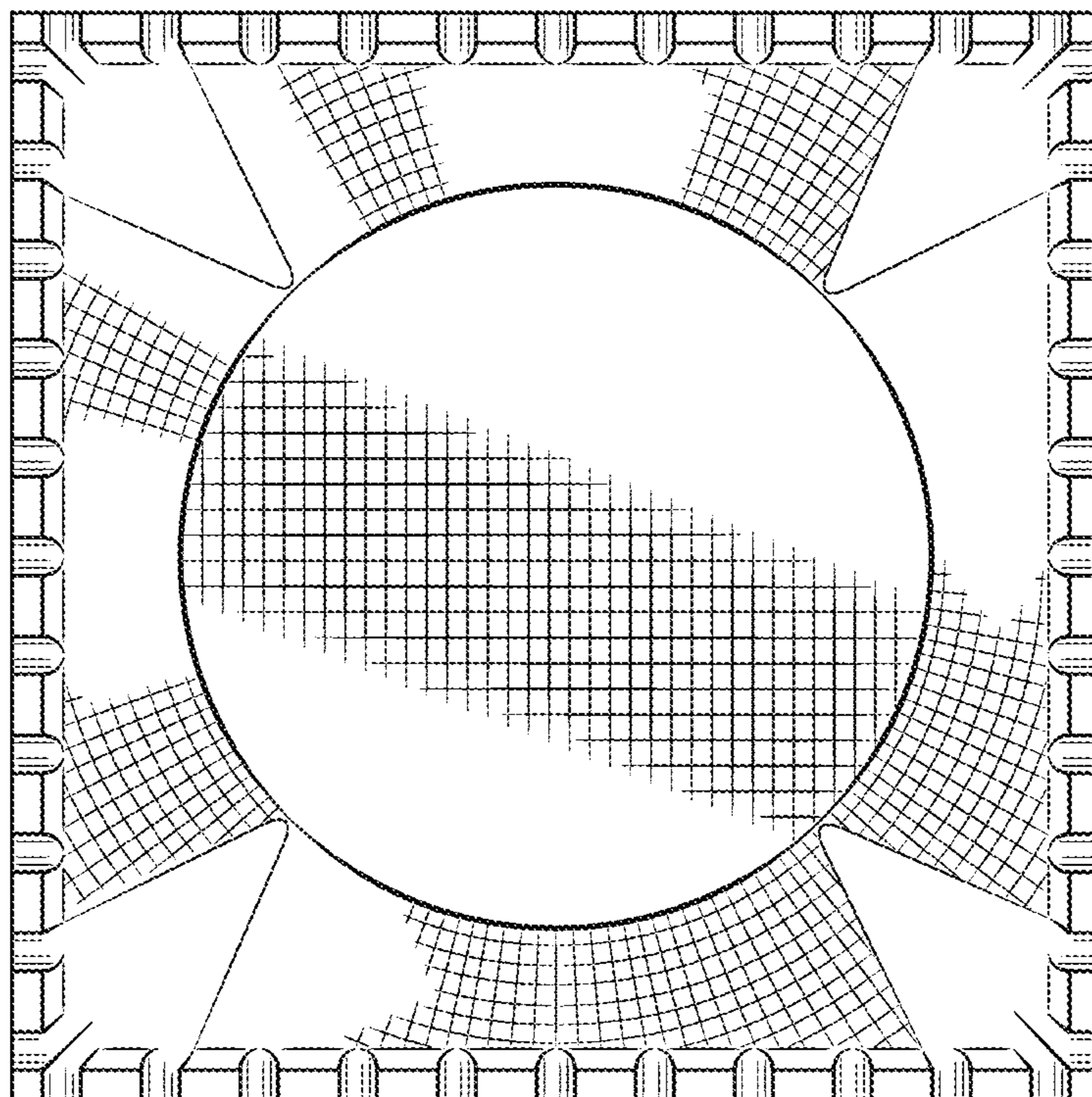


FIG. 5

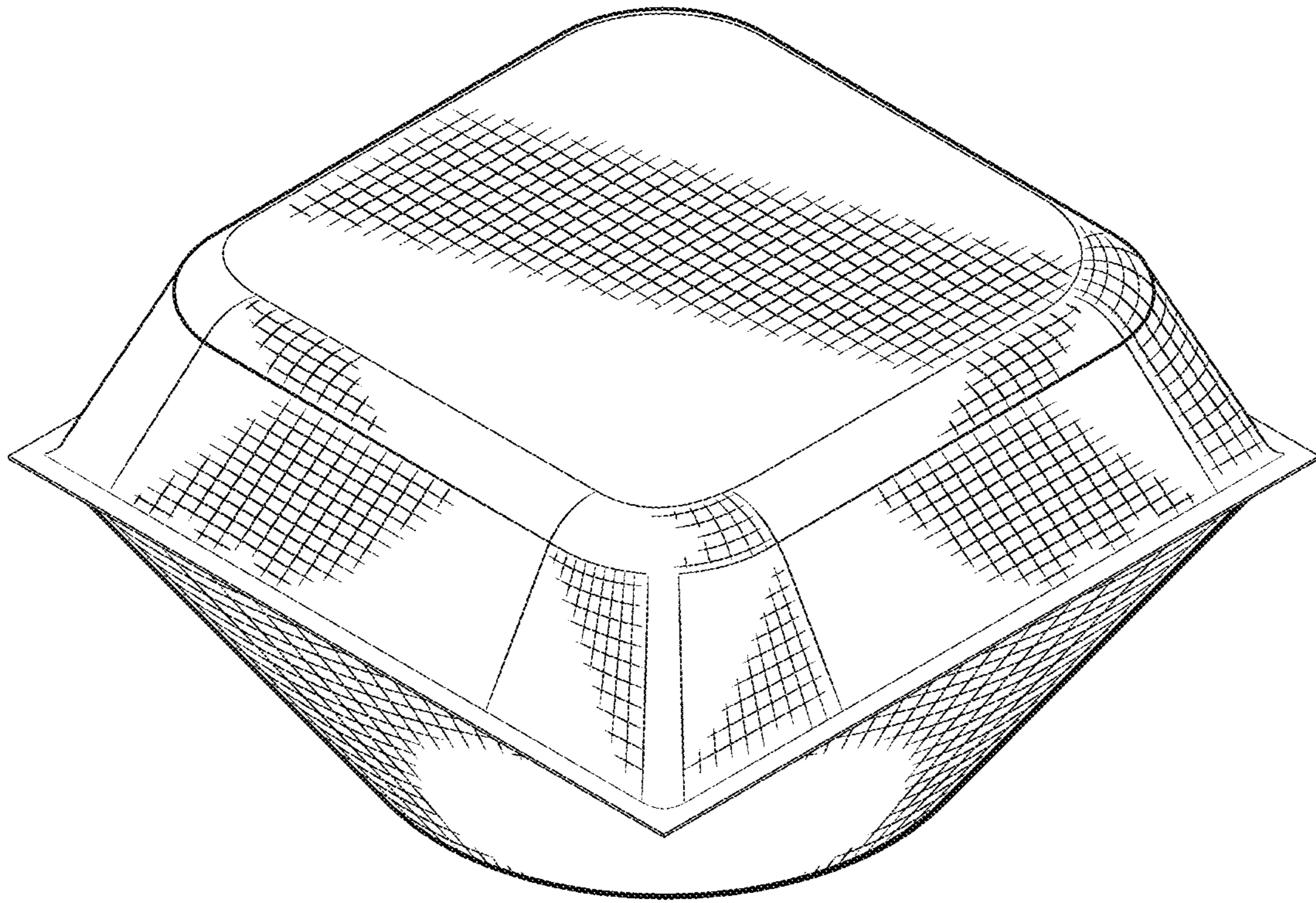


FIG. 6

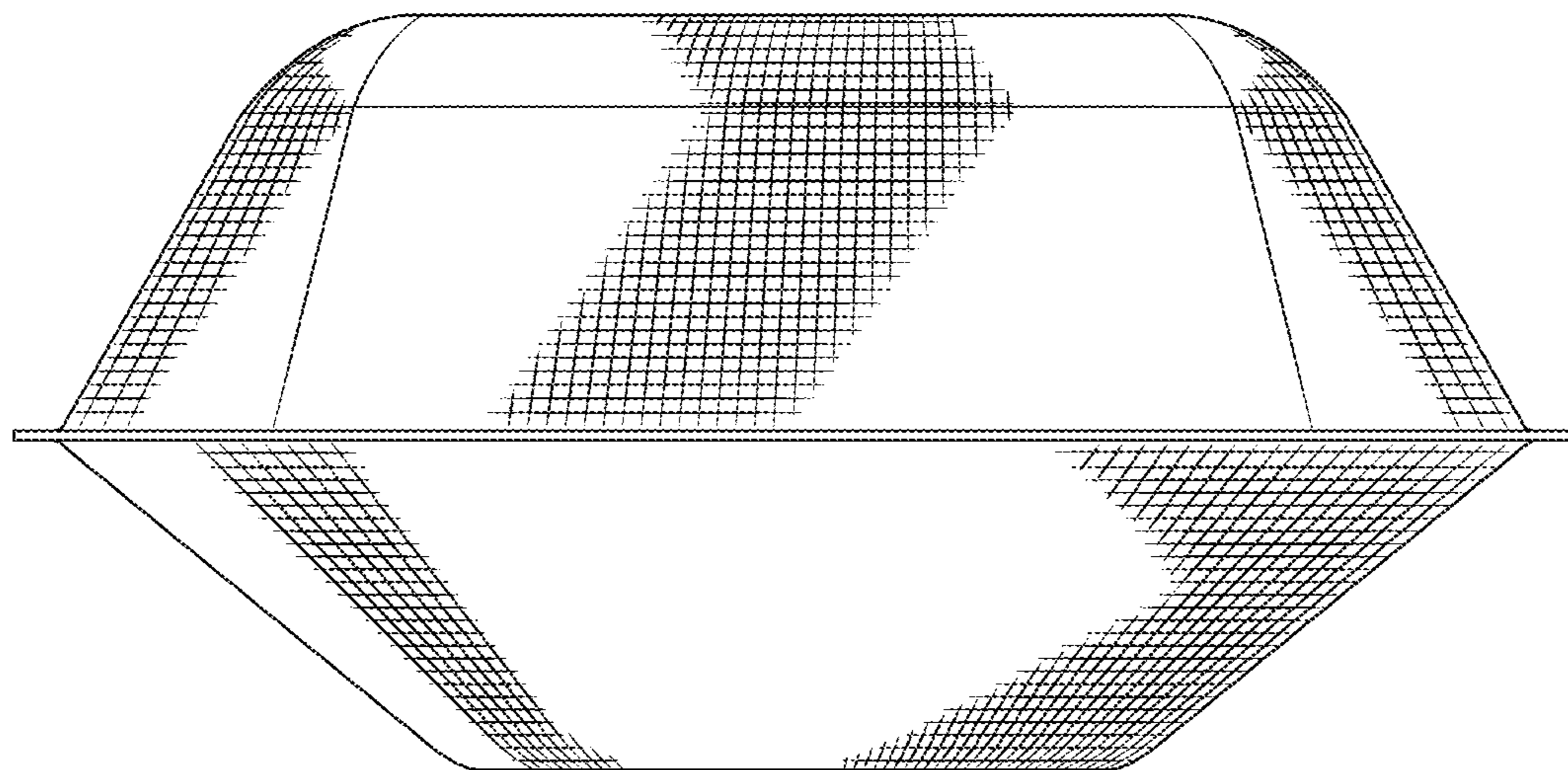


FIG. 7

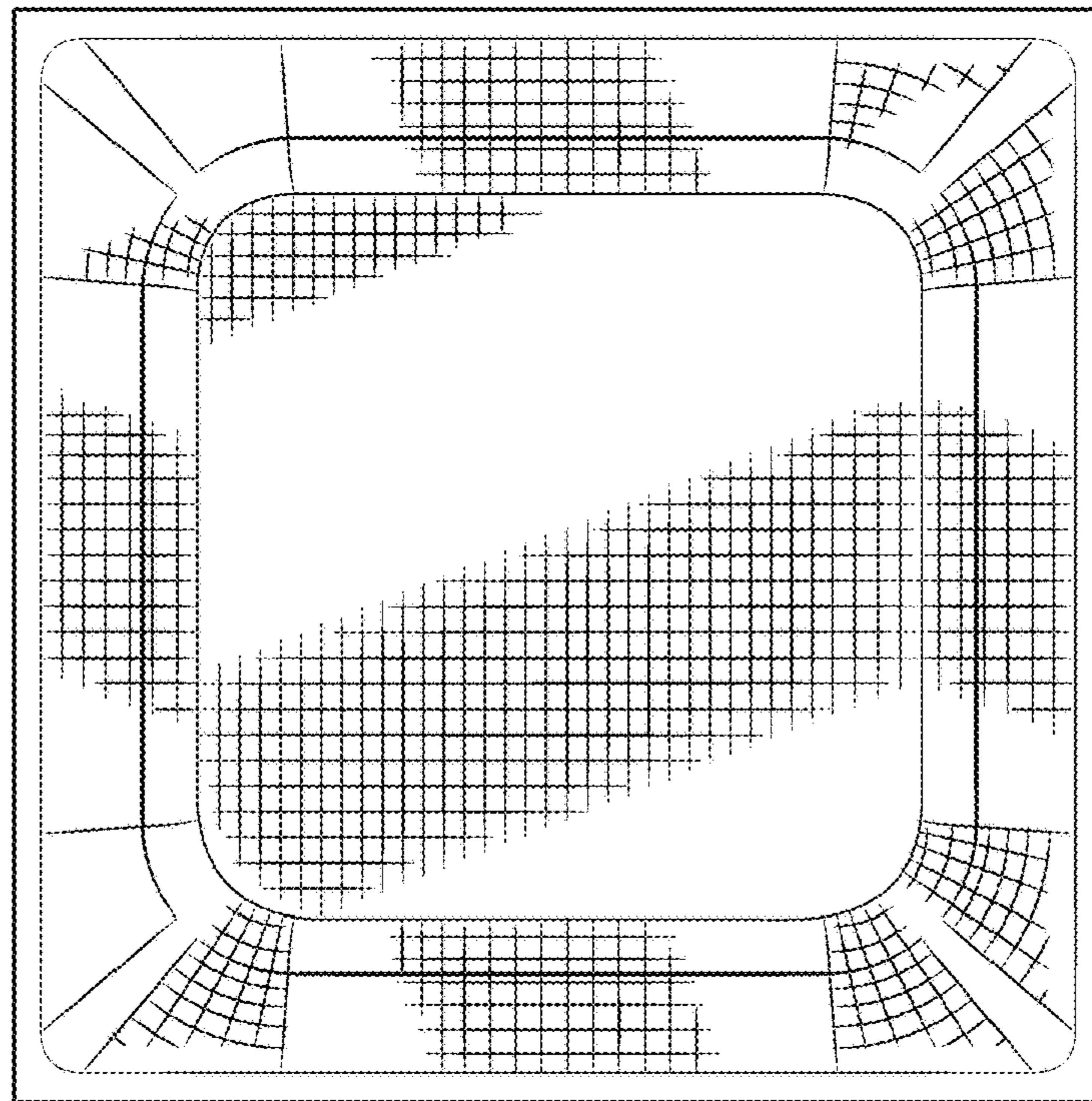


FIG. 8

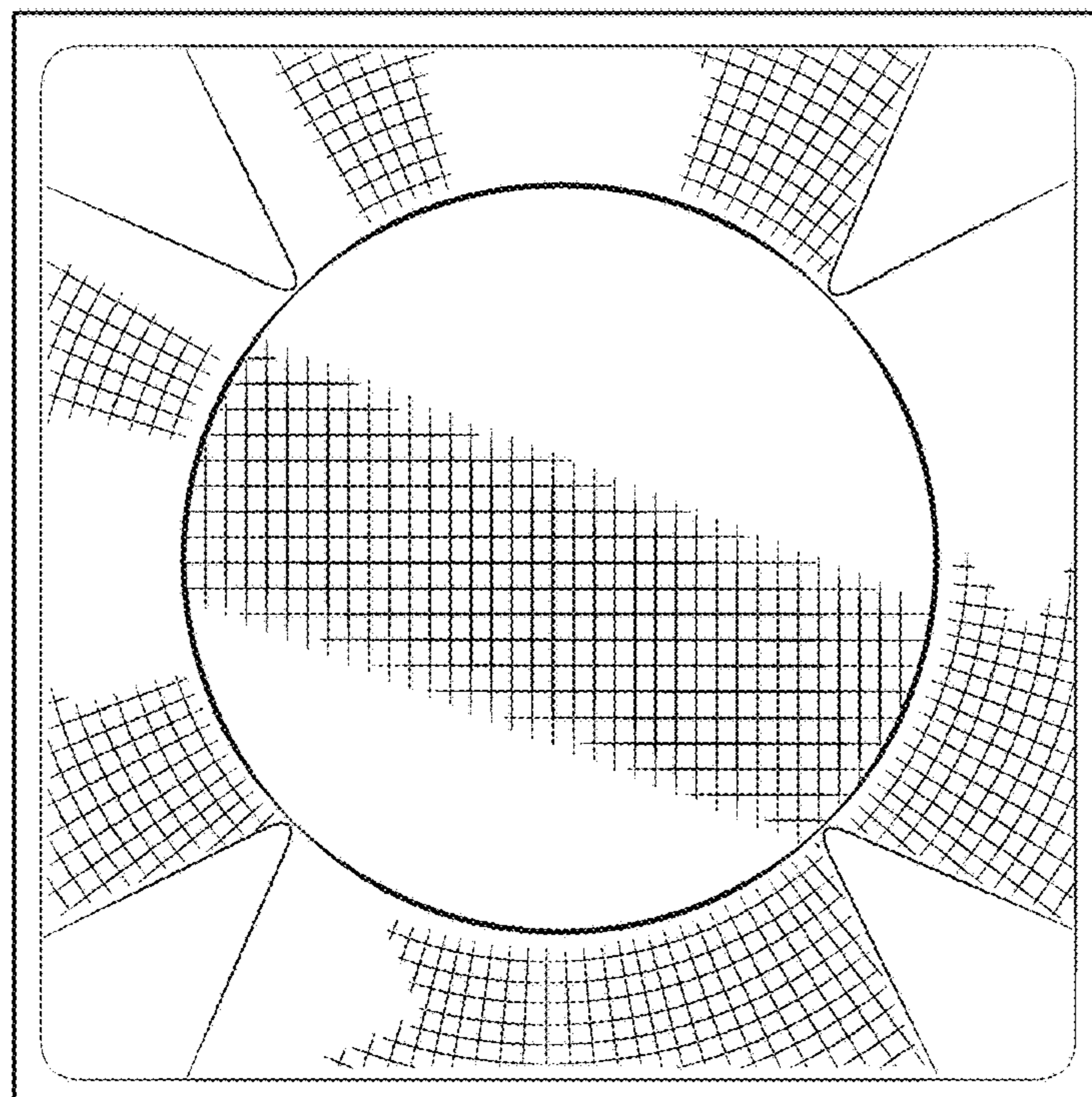


FIG. 9