



US00D880213S

(12) **United States Design Patent**
Fealy

(10) **Patent No.:** **US D880,213 S**
(45) **Date of Patent:** **** Apr. 7, 2020**

- (54) **COVER FOR BED BASE SLATS**
- (71) Applicant: **Hardware By Design Pty Ltd**,
Montmorency, Victoria (AU)
- (72) Inventor: **David Fealy**, Montmorency (AU)
- (73) Assignee: **HARDWARE BY DESIGN PTY LTD**,
Montmorency, Victoria (AU)
- (**) Term: **15 Years**
- (21) Appl. No.: **29/650,407**
- (22) Filed: **Jun. 6, 2018**
- (30) **Foreign Application Priority Data**
Dec. 6, 2017 (AU) 201717454
- (51) **LOC (12) Cl.** **06-06**
- (52) **U.S. Cl.**
USPC **D6/718; D6/606**
- (58) **Field of Classification Search**
USPC D6/382-384, 392-395, 606, 718, 719
CPC A47C 19/00; A47C 19/02; A47C 19/021;
A47C 19/022; A47C 19/005; A47C
19/025; A47C 19/12; A47C 21/026; A47C
31/10; A47C 31/105
See application file for complete search history.

- (56) **References Cited**
U.S. PATENT DOCUMENTS
D215,263 S * 9/1969 Lawson et al. D6/606
D282,037 S * 1/1986 Lawson D6/595
D355,310 S * 2/1995 Walker D6/382
D355,988 S * 3/1995 Brooking D6/349
D416,740 S * 11/1999 Denney D6/596
D498,654 S * 11/2004 Smith D8/91

- 7,017,205 B2 * 3/2006 Gladney A47C 19/021
5/201
- D540,950 S * 4/2007 Johnson D24/183
- 7,636,969 B2 * 12/2009 Long A61G 7/0507
5/424
- D616,669 S * 6/2010 McMahon-Miller D6/675
- D673,801 S * 1/2013 Young D6/606
- D674,226 S * 1/2013 Greenwald D6/582
- 9,089,224 B1 * 7/2015 Baker A47C 31/023
- D739,481 S * 9/2015 Glickfield D21/671
- D833,777 S * 11/2018 Bhanpurawala D6/606
- 2002/0069462 A1 * 6/2002 Gaboury A47C 19/005
5/201
- 2005/0028275 A1 * 2/2005 Hooper, Jr. A47C 19/025
5/400
- 2005/0034233 A1 * 2/2005 Gladney A47C 17/86
5/400
- 2015/0366370 A1 * 12/2015 Fifer, III A47C 20/04
5/499

* cited by examiner

Primary Examiner — Cathron C Brooks
(74) *Attorney, Agent, or Firm* — Cantor Colburn LLP

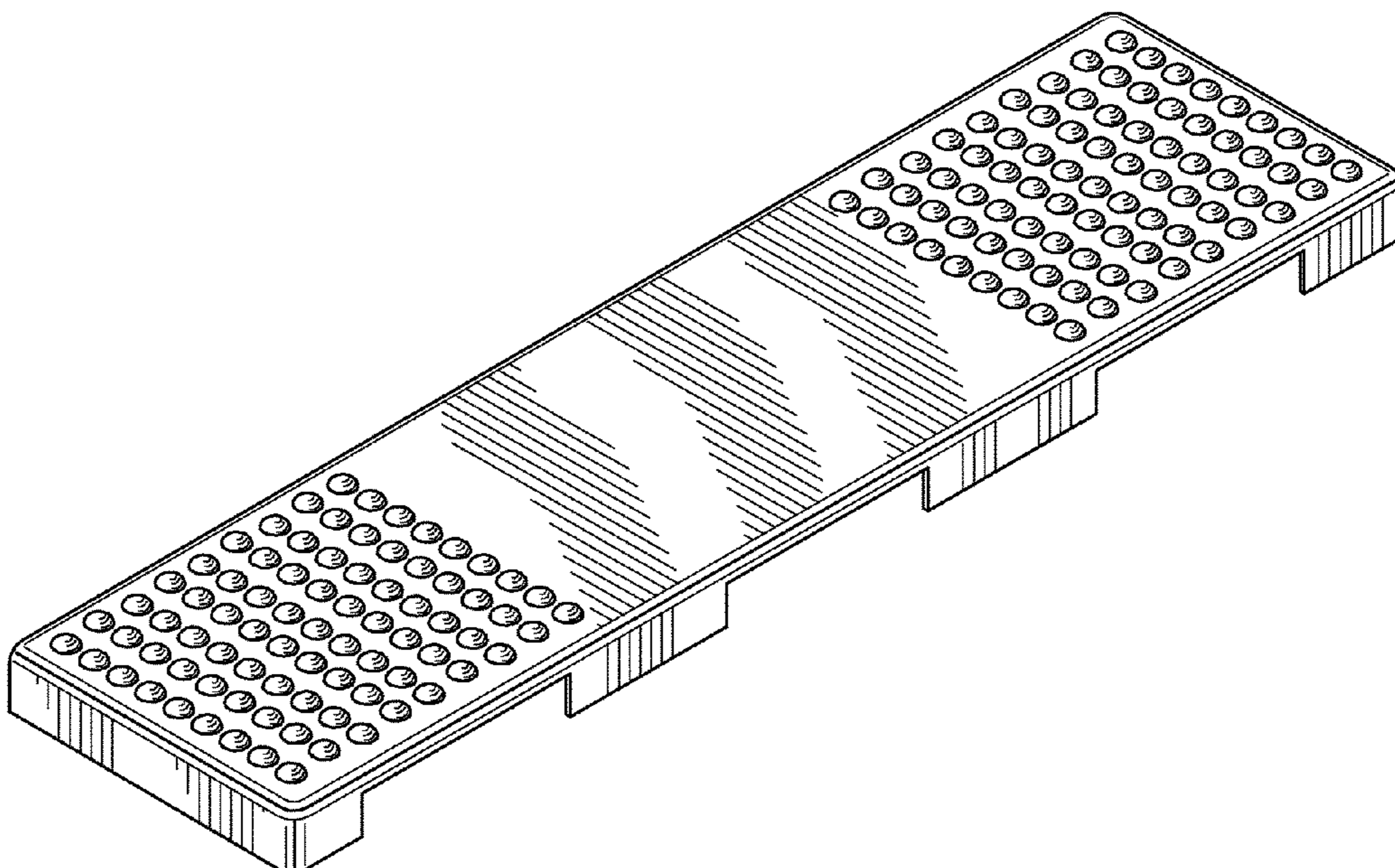
(57) **CLAIM**

The ornamental design for a cover for bed base slats, as shown and described.

DESCRIPTION

FIG. 1 is an upper perspective view of a cover for bed base slats, showing our new design;
FIG. 2 is a lower perspective view thereof;
FIG. 3 is another upper perspective view thereof;
FIG. 4 is a top view thereof;
FIG. 5 is a bottom view thereof;
FIG. 6 is a side view thereof;
FIG. 7 is a front view thereof;
FIG. 8 is another side view thereof; and,
FIG. 9 is a rear view thereof.

1 Claim, 6 Drawing Sheets



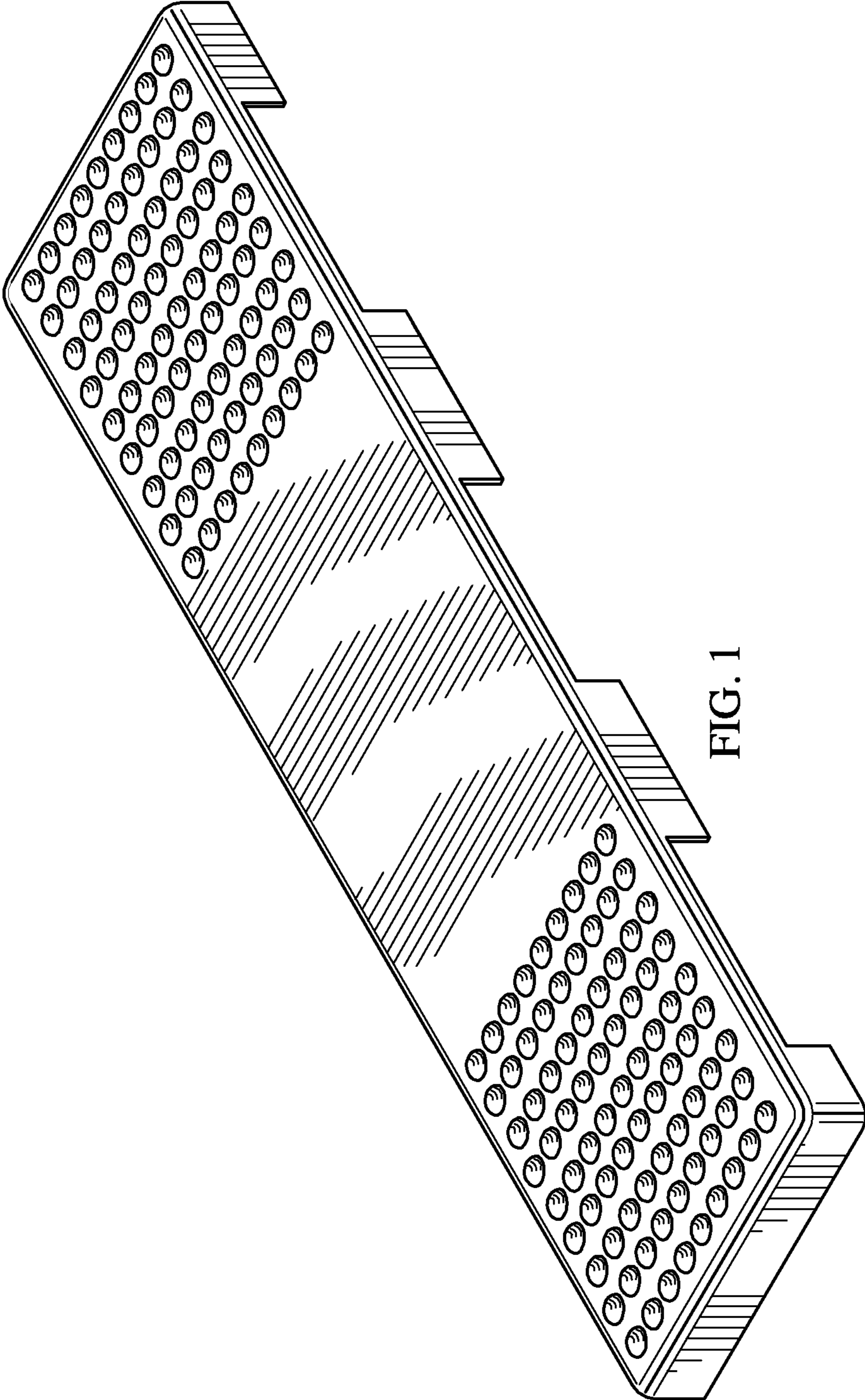


FIG. 1

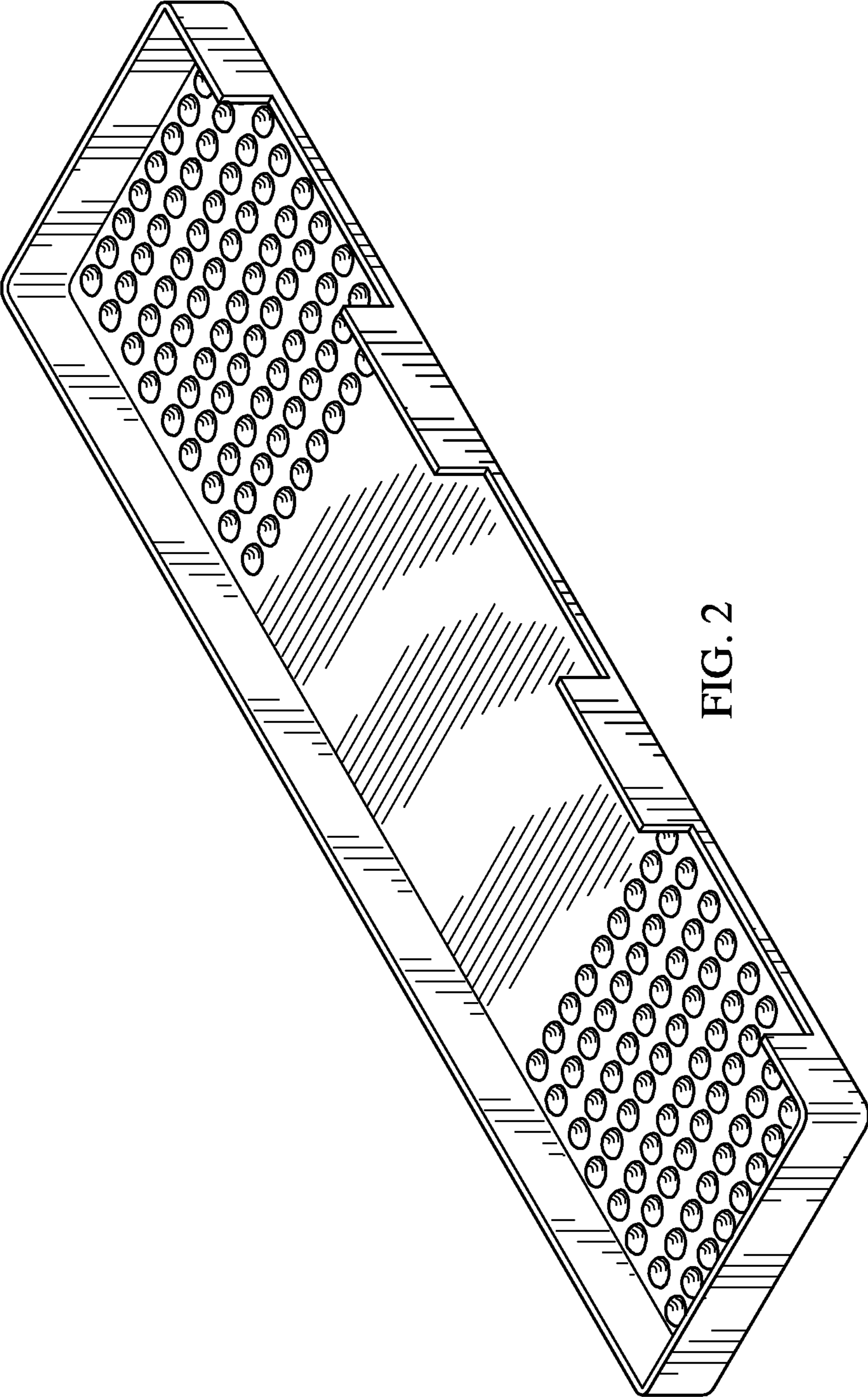


FIG. 2

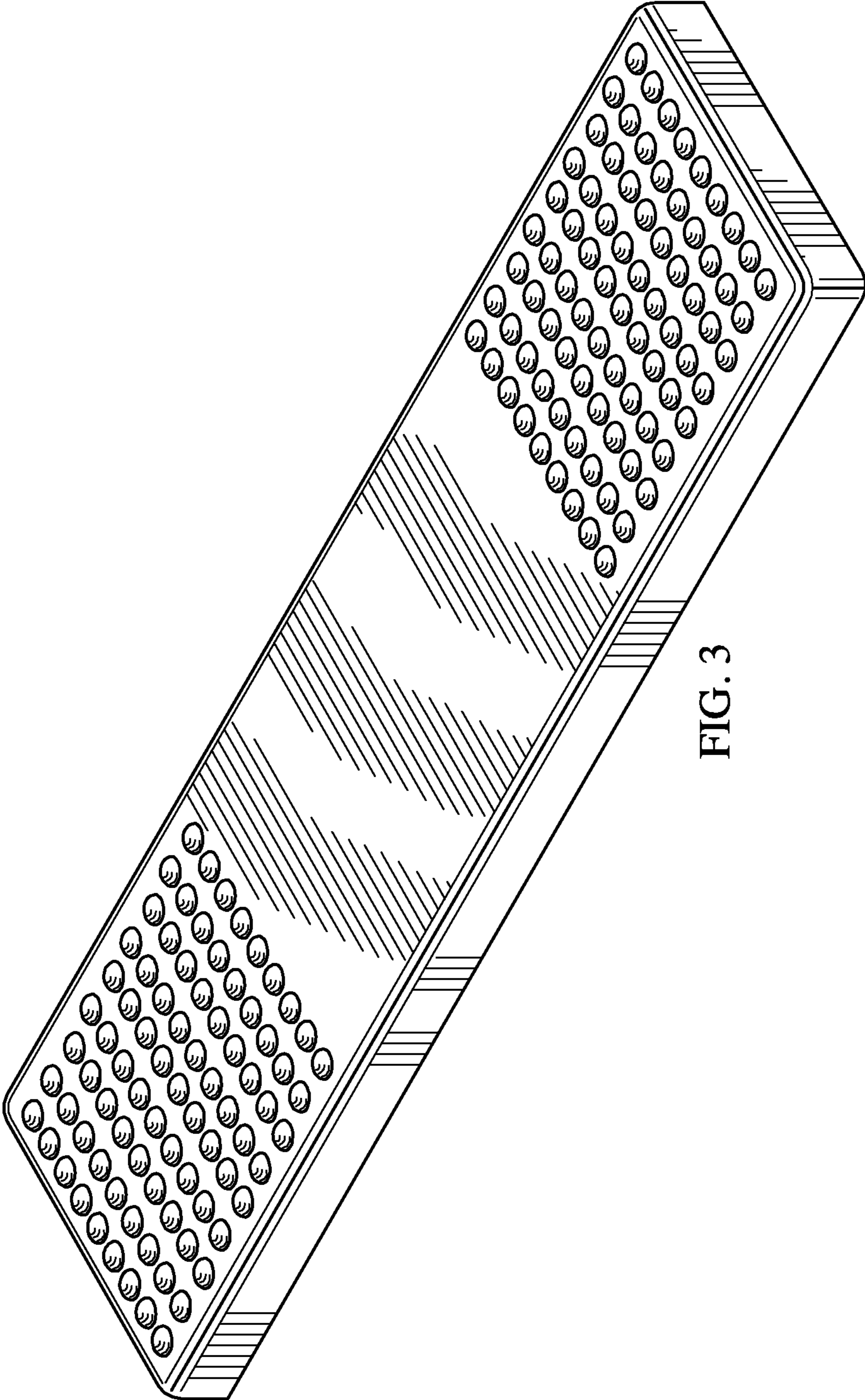


FIG. 3

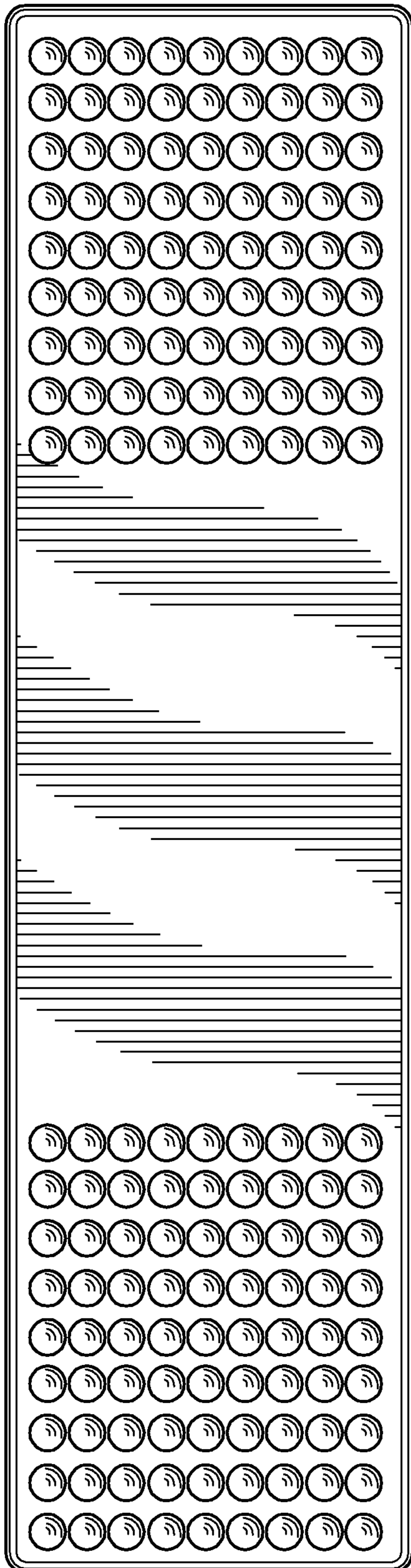


FIG. 4

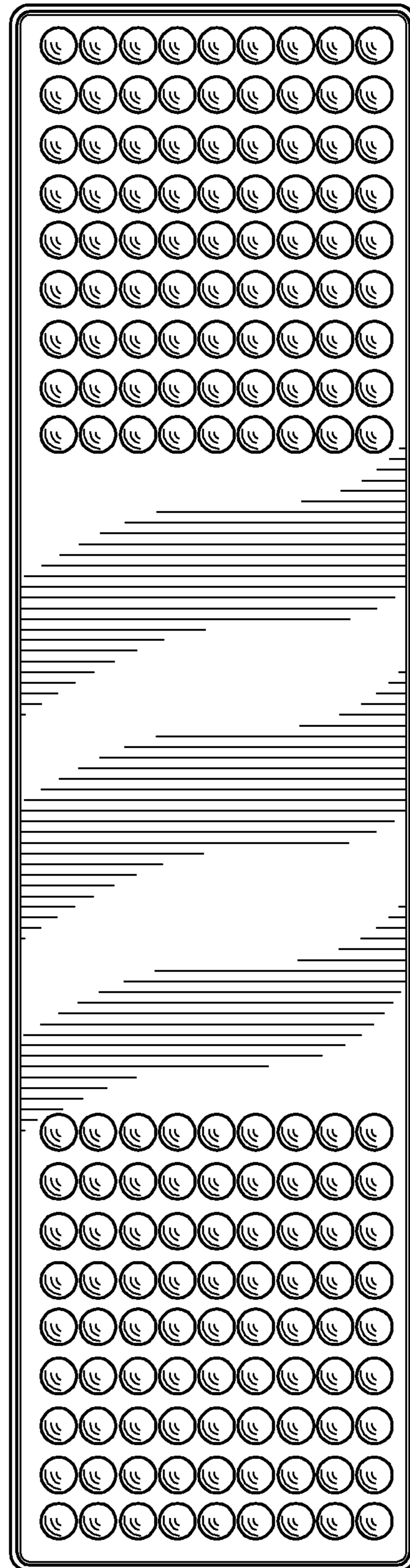


FIG. 5

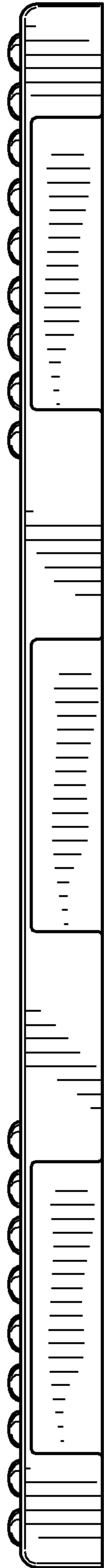


FIG. 6

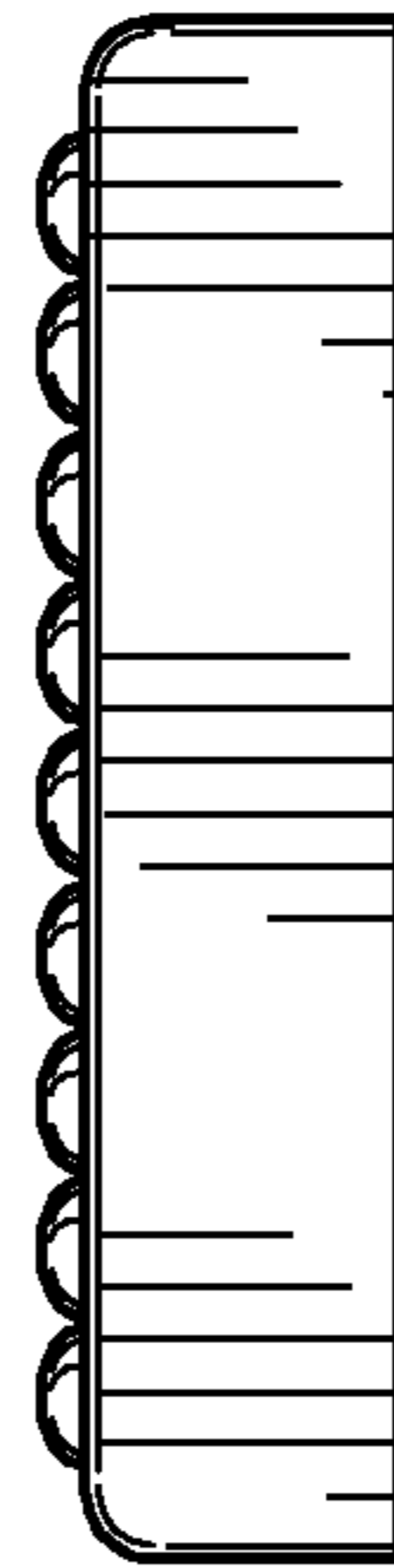


FIG. 7

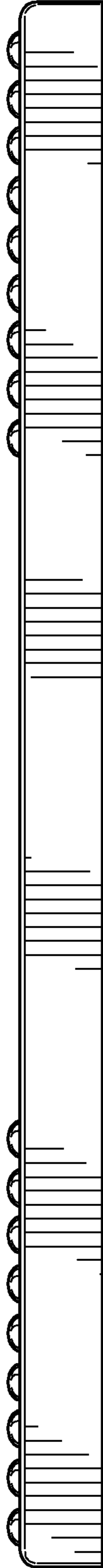


FIG. 8

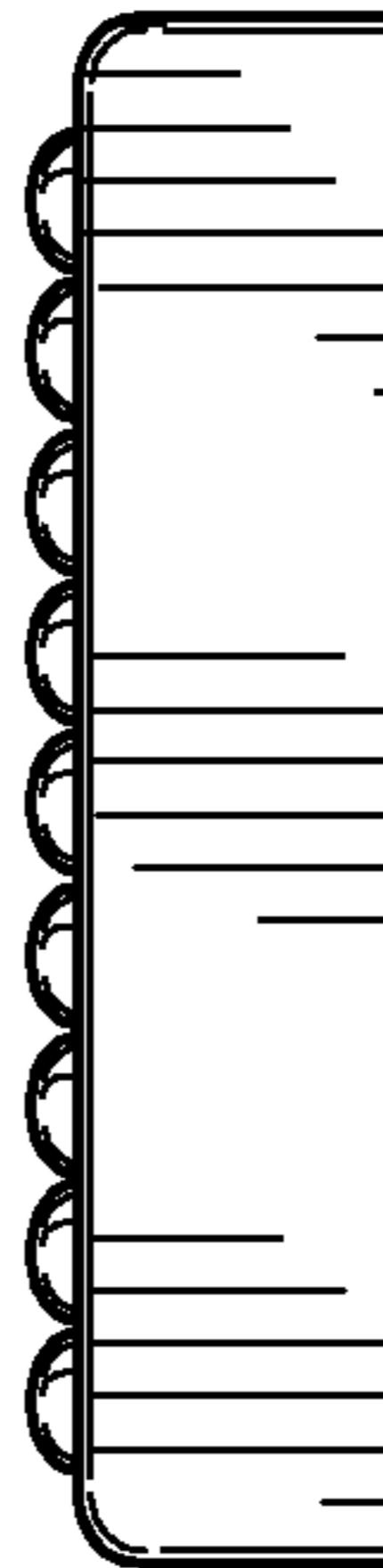


FIG. 9