



US00D880212S

(12) **United States Design Patent**  
**Choi et al.**

(10) **Patent No.:** **US D880,212 S**  
(45) **Date of Patent:** **\*\* Apr. 7, 2020**

(54) **CHAIR**

D758,087 S \* 6/2016 Bonneywell ..... D6/366

(71) Applicant: **Fellowes, Inc.**, Itasca, IL (US)

\* cited by examiner

(72) Inventors: **Taiwon Choi**, Glenview, IL (US);  
**Chris Sweet**, Chicago, IL (US); **Rich Kang**, Elgin, IL (US)

*Primary Examiner* — Mimosa De

(74) *Attorney, Agent, or Firm* — Pillsbury Winthrop Shaw Pittman LLP

(73) Assignee: **FELLOWES, INC.**, Itasca, NY (US)

(\*\*) Term: **15 Years**

(57) **CLAIM**

(21) Appl. No.: **29/627,576**

The ornamental design for a chair, as shown and described.

(22) Filed: **Nov. 28, 2017**

(51) **LOC (12) Cl.** ..... **06-01**

(52) **U.S. Cl.**

USPC ..... **D6/716**; D6/366

(58) **Field of Classification Search**

USPC ..... D6/334-336, 364, 365, 366, 374, 375,  
D6/379, 380, 716, 716.1, 716.2, 716.3,  
D6/716.4

CPC ..... A47C 7/002; A47C 7/004; A47C 7/02;  
A47C 7/282; A47C 7/285; A47C 7/40;  
A47C 7/44; A47C 7/54

See application file for complete search history.

**DESCRIPTION**

FIG. 1 is a top perspective view of a chair according to our design;

FIG. 2 is a front view of the chair;

FIG. 3 is a back view of the chair;

FIG. 4 is a right side view of the chair;

FIG. 5 is a left side view of the chair;

FIG. 6 is a top view of the chair; and,

FIG. 7 is a bottom view of the chair.

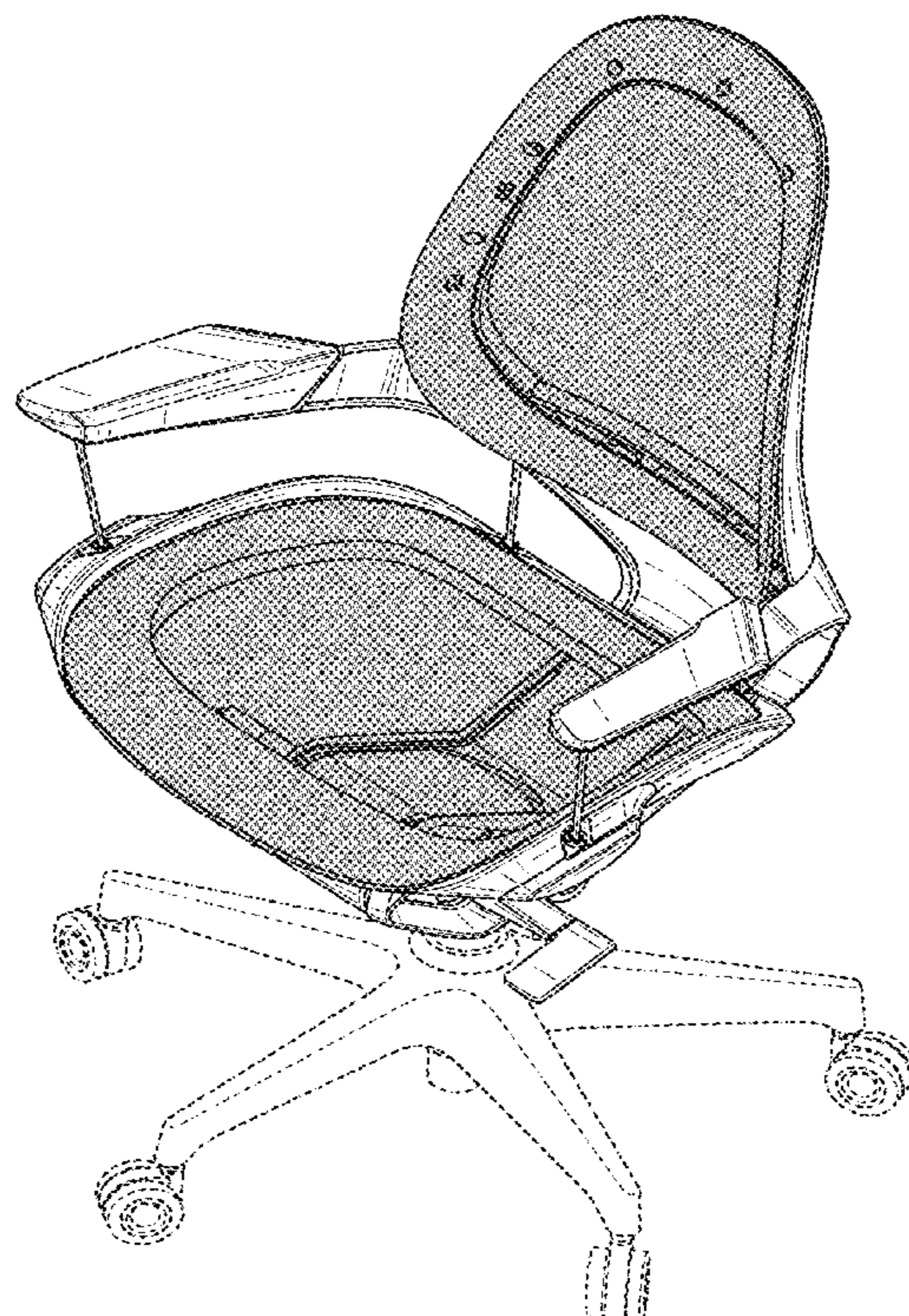
Any broken lines shown are included for the purpose of illustrating the environment of the design and form no part of the claimed design.

(56) **References Cited**

U.S. PATENT DOCUMENTS

D650,604 S \* 12/2011 Lee ..... D6/366  
D702,977 S \* 4/2014 Bonneywell ..... D6/716  
D727,075 S \* 4/2015 Usumoto ..... D6/716

**1 Claim, 7 Drawing Sheets**



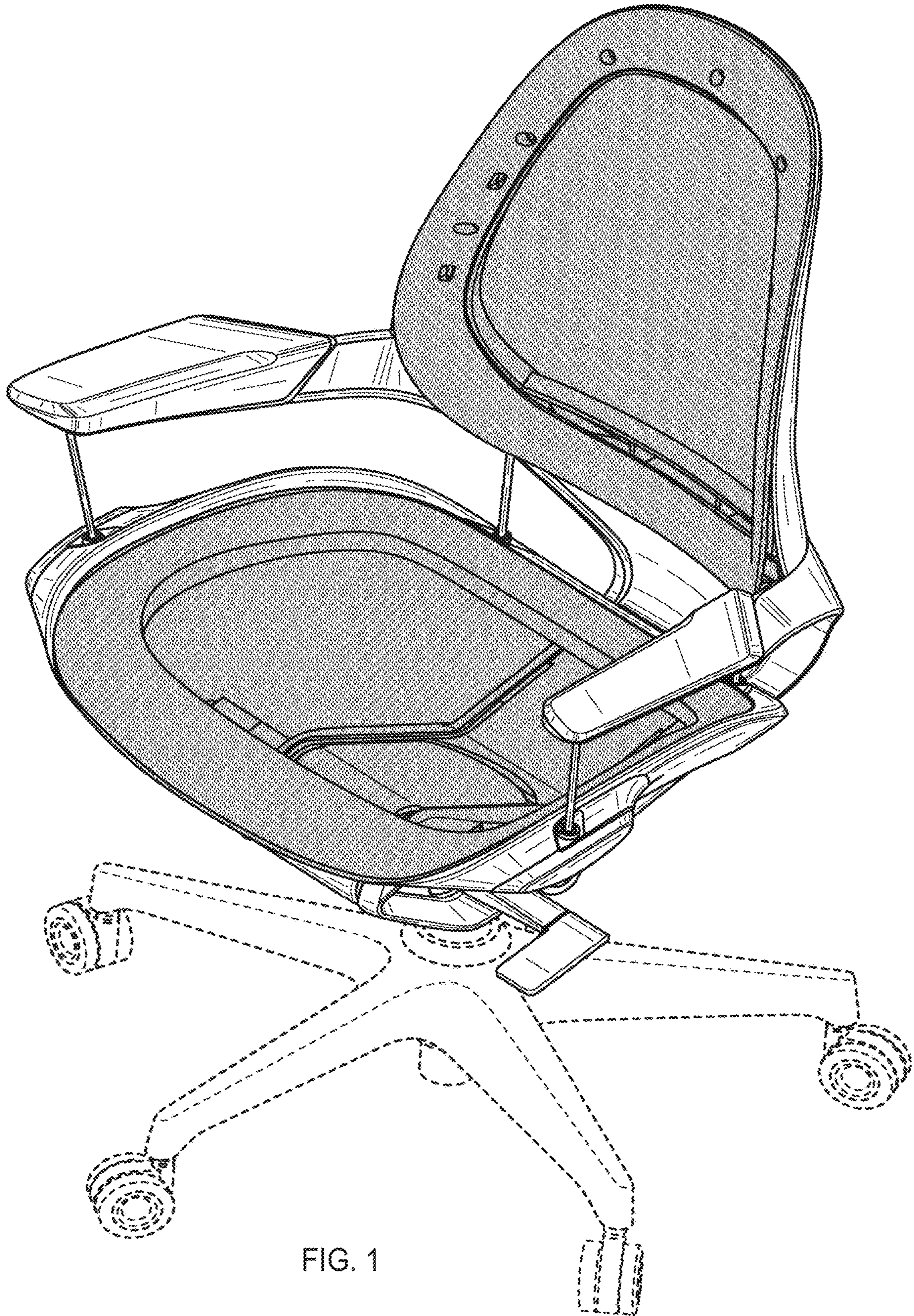


FIG. 1

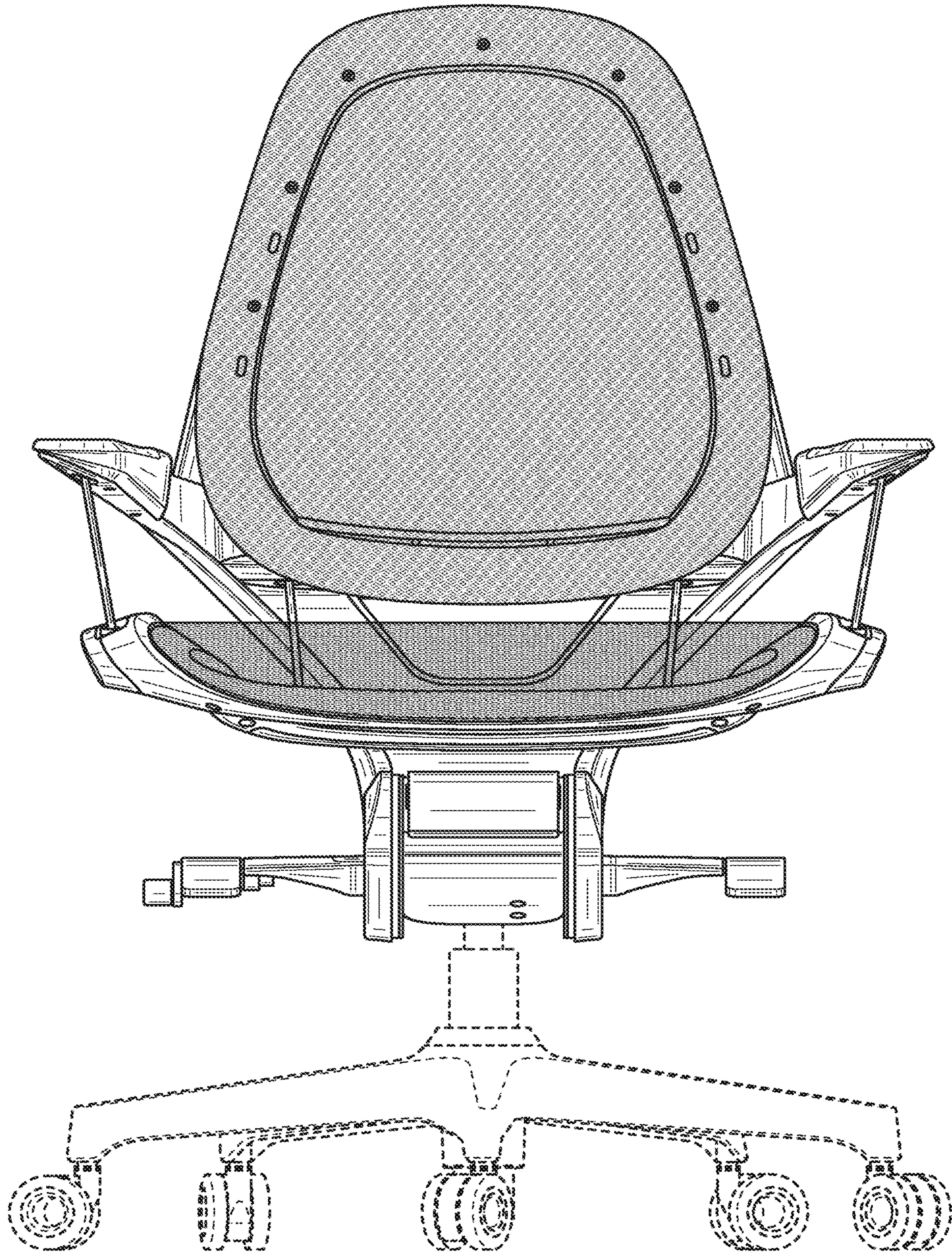


FIG. 2

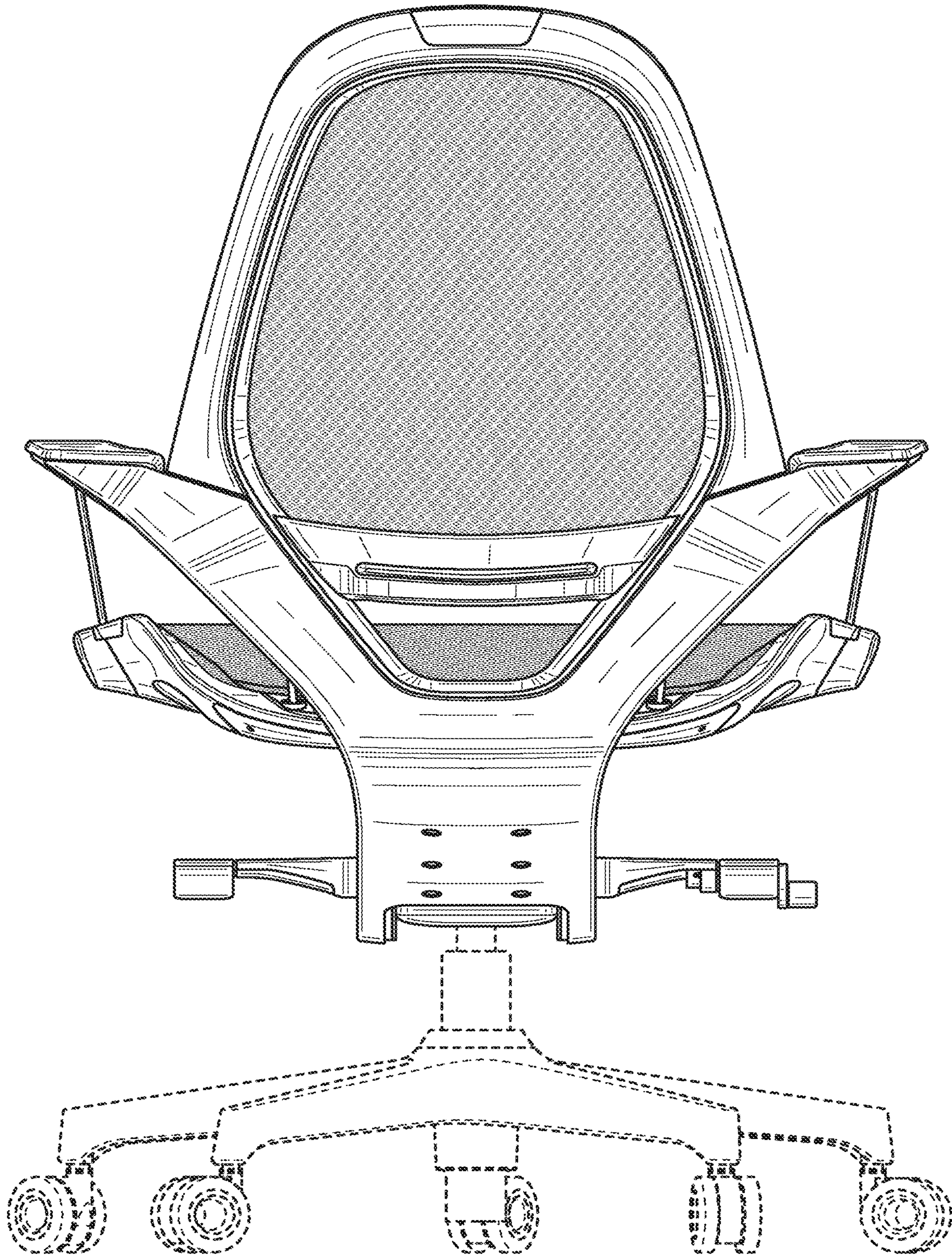


FIG. 3

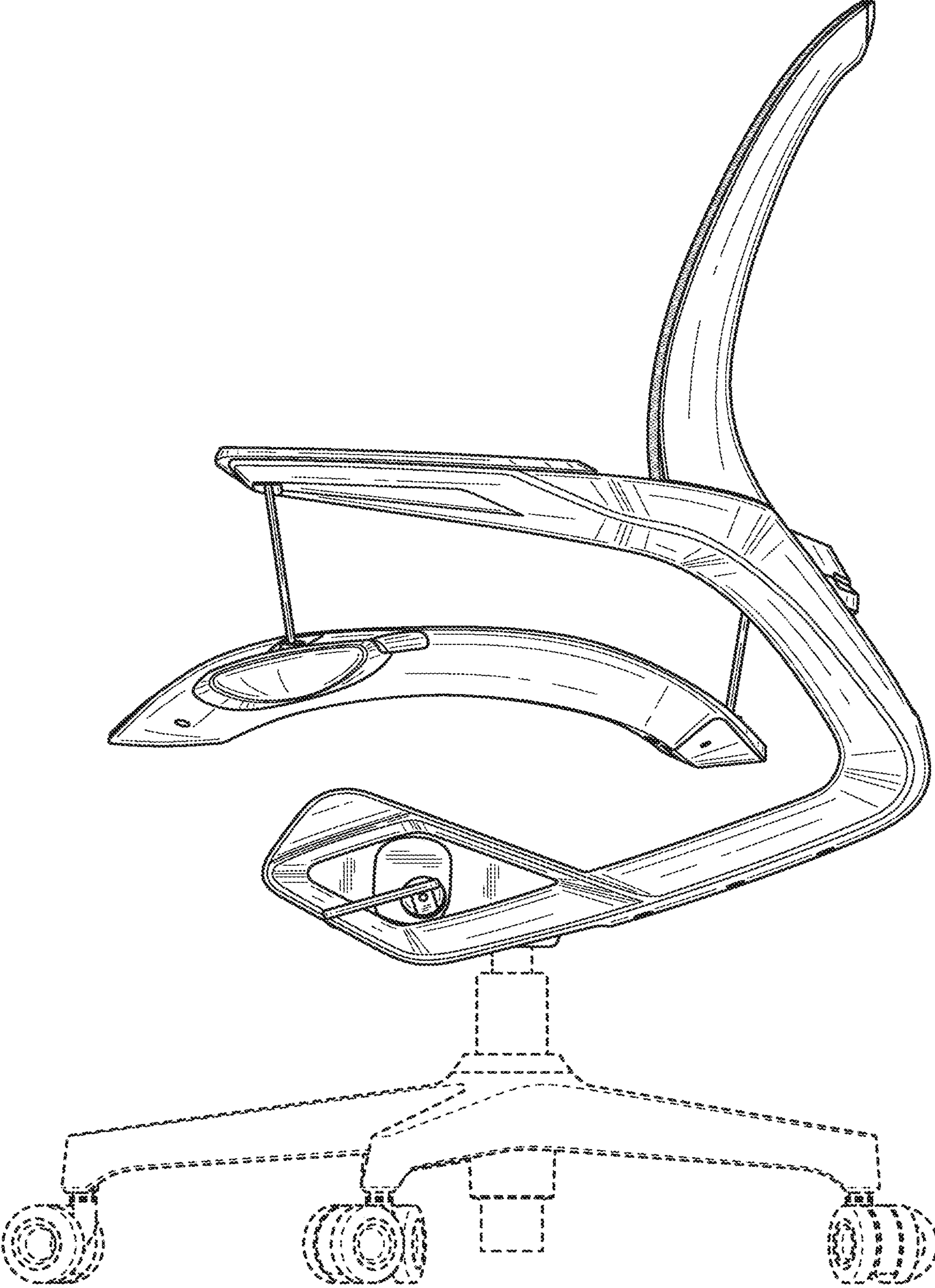


FIG. 4

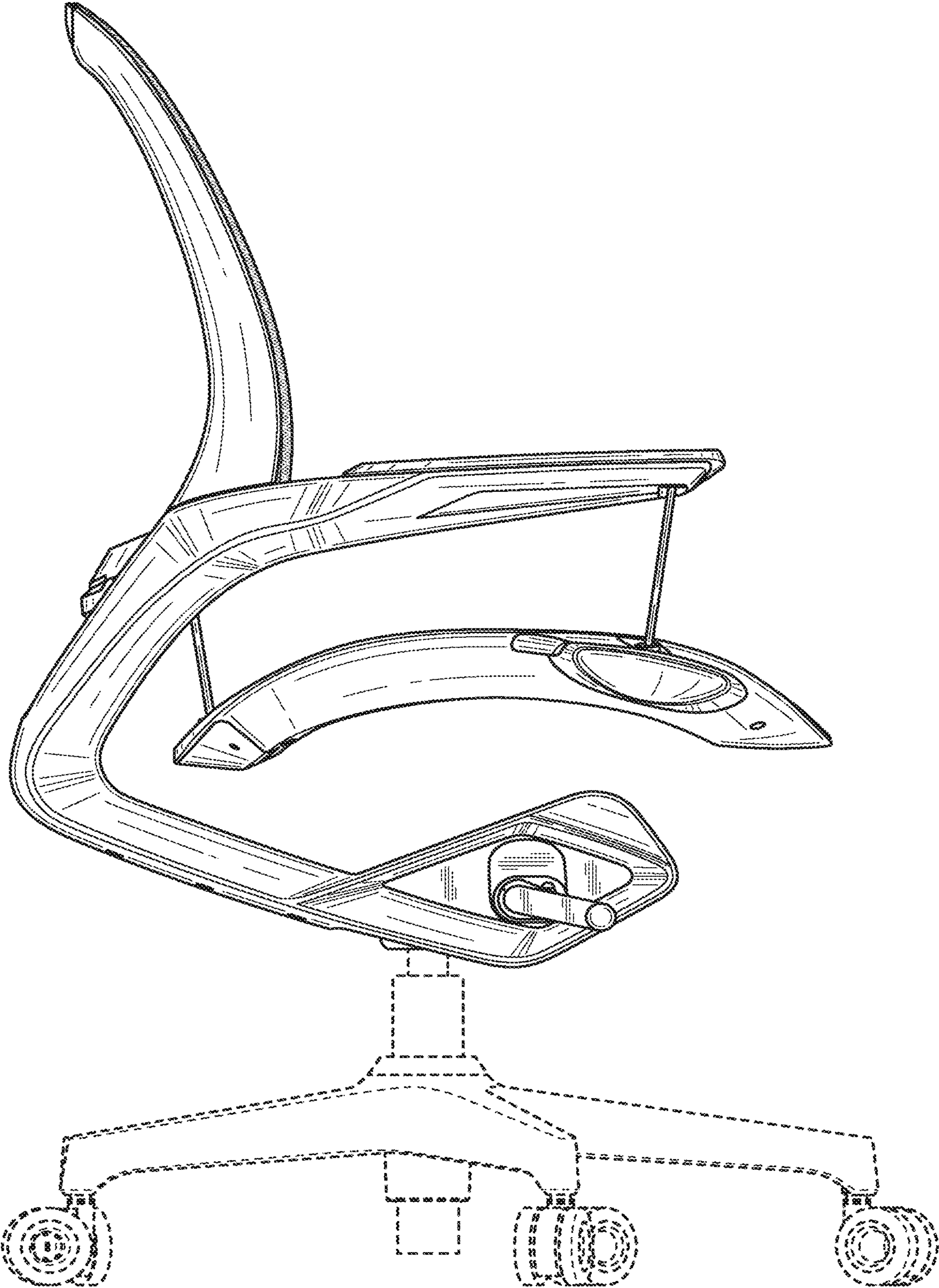


FIG. 5

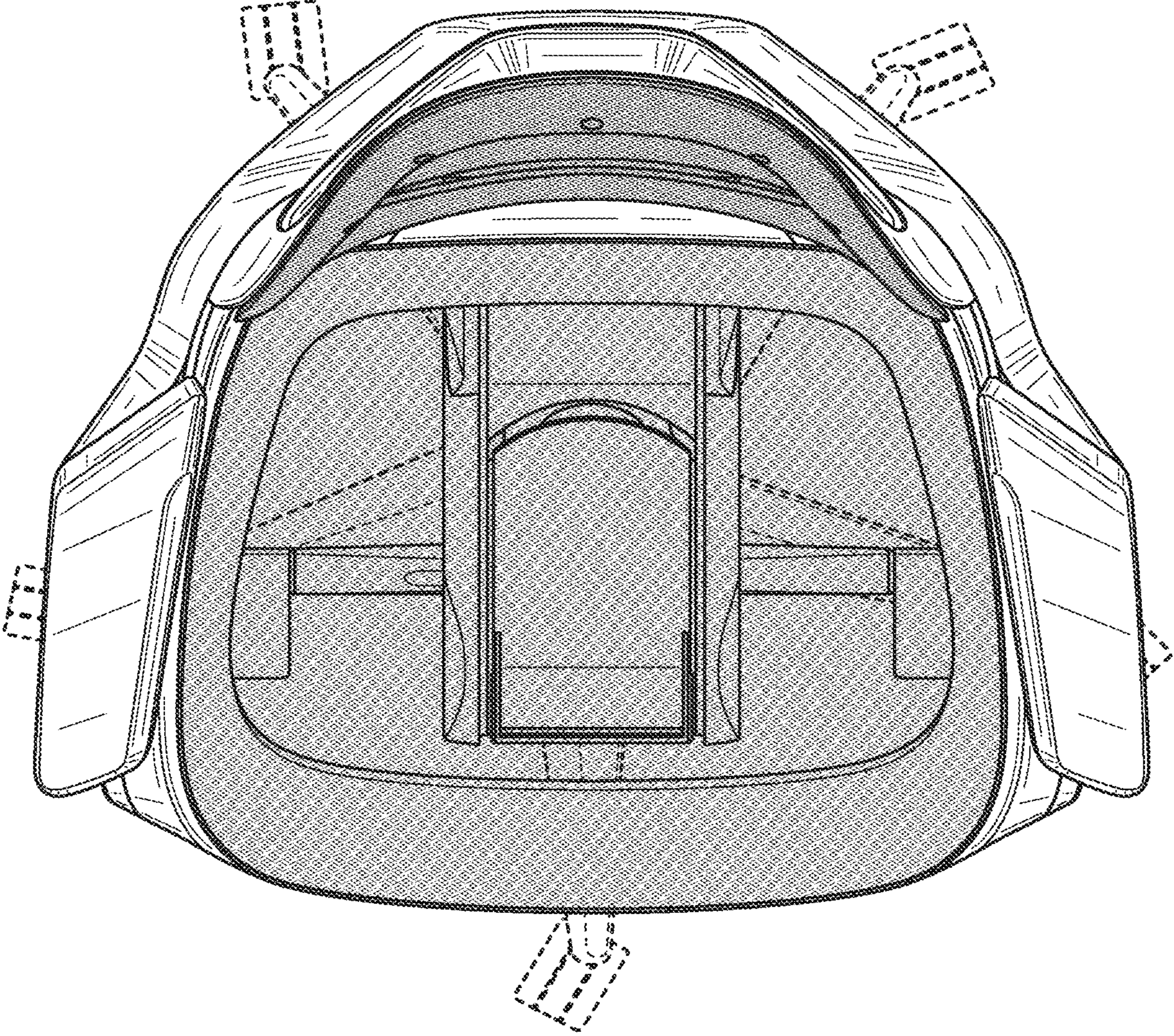


FIG. 6

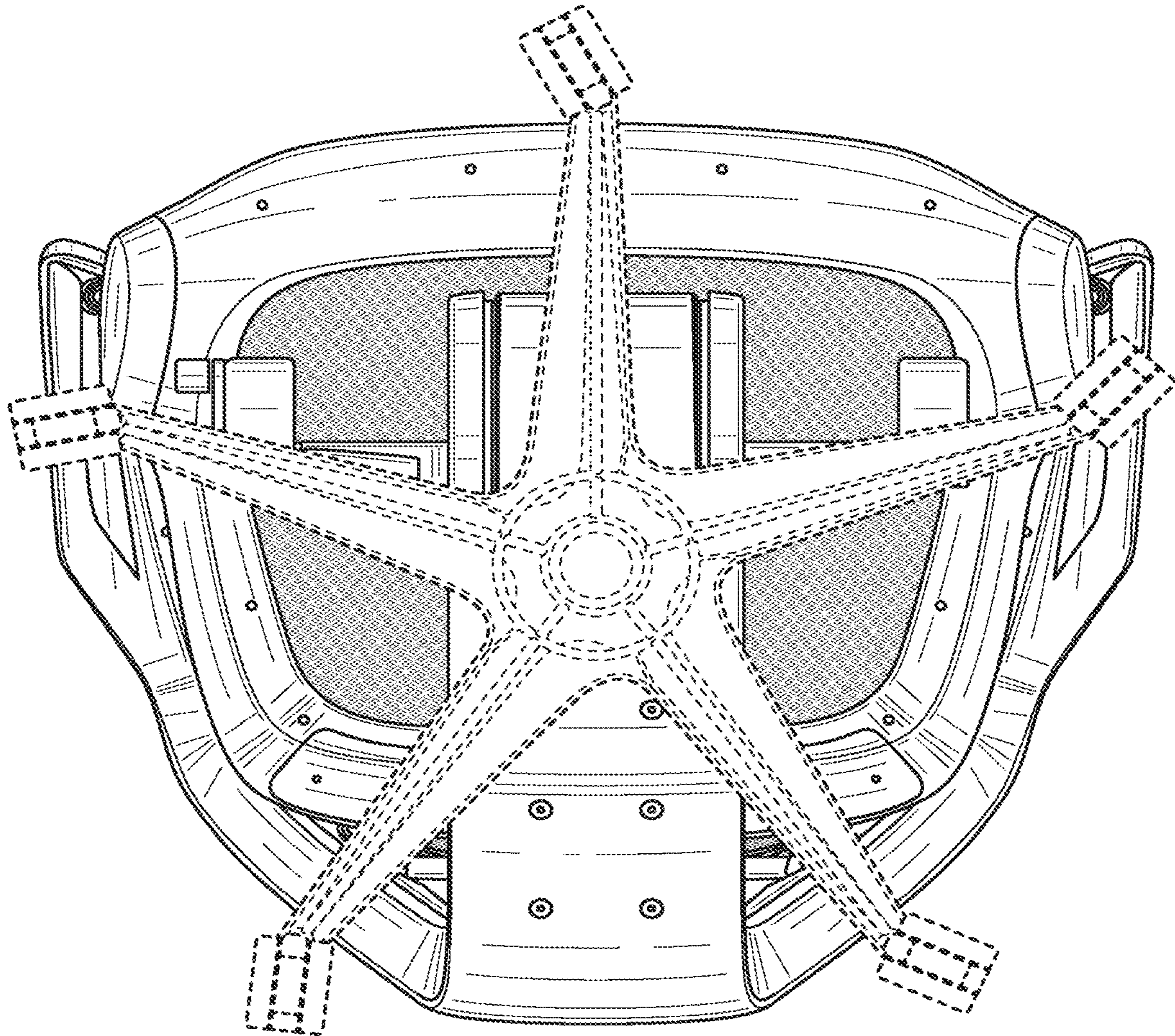


FIG. 7