



US00D880210S

(12) **United States Design Patent**  
**Allen, Jr.**

(10) **Patent No.:** **US D880,210 S**  
(45) **Date of Patent:** **\*\* Apr. 7, 2020**

- (54) **STANDING DESK**
- (71) Applicant: **Michael W. Allen, Jr.**, Charleston, SC  
(US)
- (72) Inventor: **Michael W. Allen, Jr.**, Charleston, SC  
(US)
- (\*\*) Term: **15 Years**
- (21) Appl. No.: **29/636,396**
- (22) Filed: **Feb. 8, 2018**
- (51) **LOC (12) Cl.** ..... **06-03**
- (52) **U.S. Cl.**  
USPC ..... **D6/698; D6/655**
- (58) **Field of Classification Search**  
USPC ..... D6/641, 655, 655.14, 655.21, 657, 685,  
D6/686, 689, 690, 691, 691.1, 691.2,  
D6/691.3, 691.4, 691.5, 691.6, 691.7,  
D6/691.8, 691.9, 698, 699.1, 699.2,  
D6/699.3, 699.4, 699.5, 702, 707, 707.15,  
D6/708, 709, 699  
CPC .. A47B 37/00; A47B 3/00; A47B 1/00; A47B  
3/06; A47B 3/08; A47B 7/00; A47B  
21/00; A47B 23/00; A47B 25/00; A47B  
13/08; A47B 3/083; A47B 3/14; A47B  
41/00; A47B 17/00; A47B 3/0809; A47B  
3/0812; A47B 2013/026; A47B 2200/03;  
A47B 2200/00; A47B 2003/0821; A47C  
3/045  
See application file for complete search history.

- 2,451,763 A \* 10/1948 Misko ..... A47B 3/083  
108/35
- D486,017 S \* 2/2004 Stanton ..... D6/691.3
- D826,600 S \* 8/2018 Yamamoto ..... D6/656.16
- D838,126 S \* 1/2019 Hu ..... D6/655.21
- D840,178 S \* 2/2019 Herring ..... D6/656
- 2017/0000255 A1\* 1/2017 Herring ..... A47B 9/00
- 2017/0251806 A1\* 9/2017 Newman ..... A47B 21/02
- 2017/0340102 A1\* 11/2017 Ergun ..... A47B 9/02
- 2018/0092457 A1\* 4/2018 Lai ..... A47B 9/10

\* cited by examiner

*Primary Examiner* — Mary Ann Calabrese  
*Assistant Examiner* — Catherine Ho  
(74) *Attorney, Agent, or Firm* — Burr & Forman LLP;  
Douglas L. Lineberry

(57) **CLAIM**

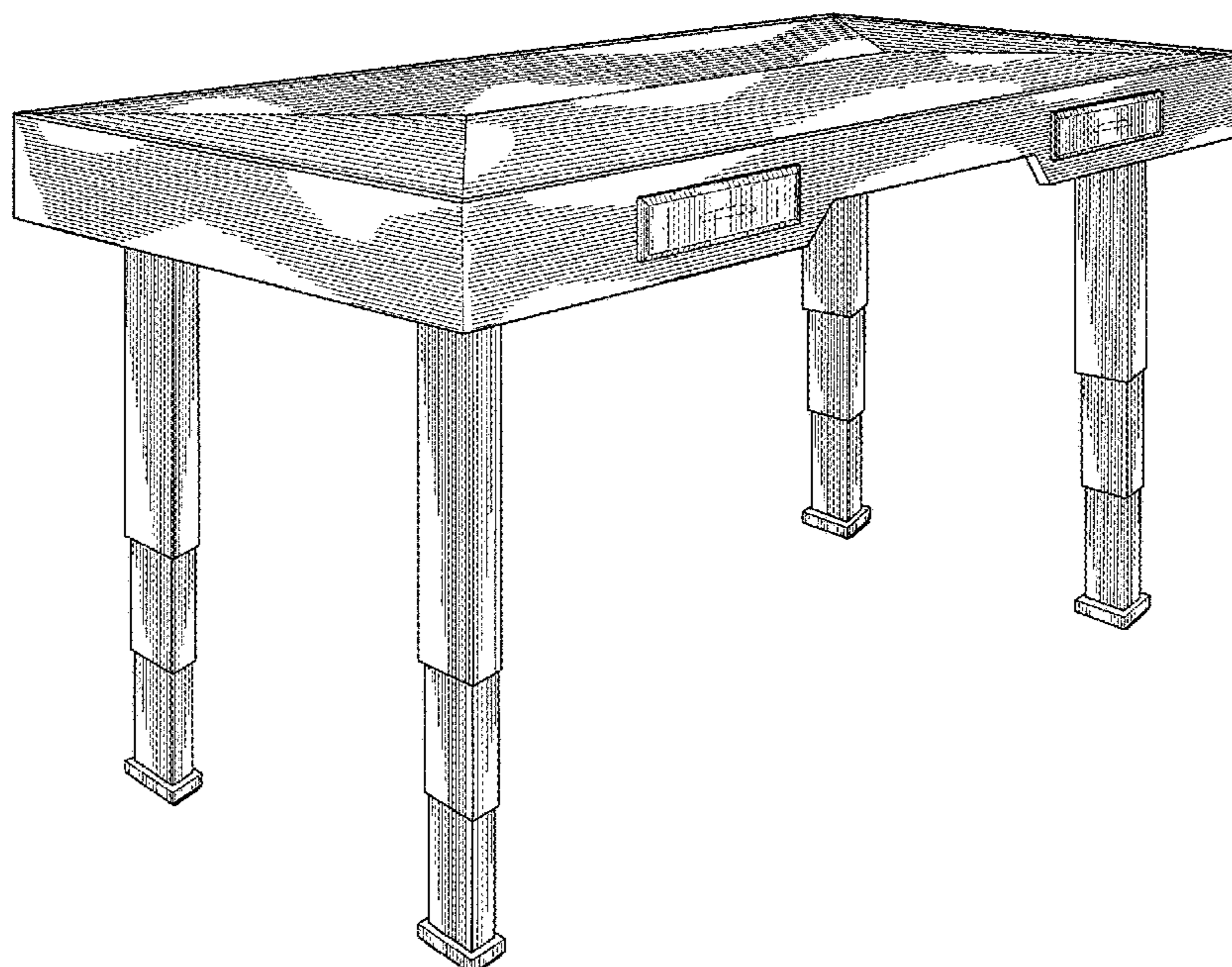
The ornamental design for a standing desk, as shown and described.

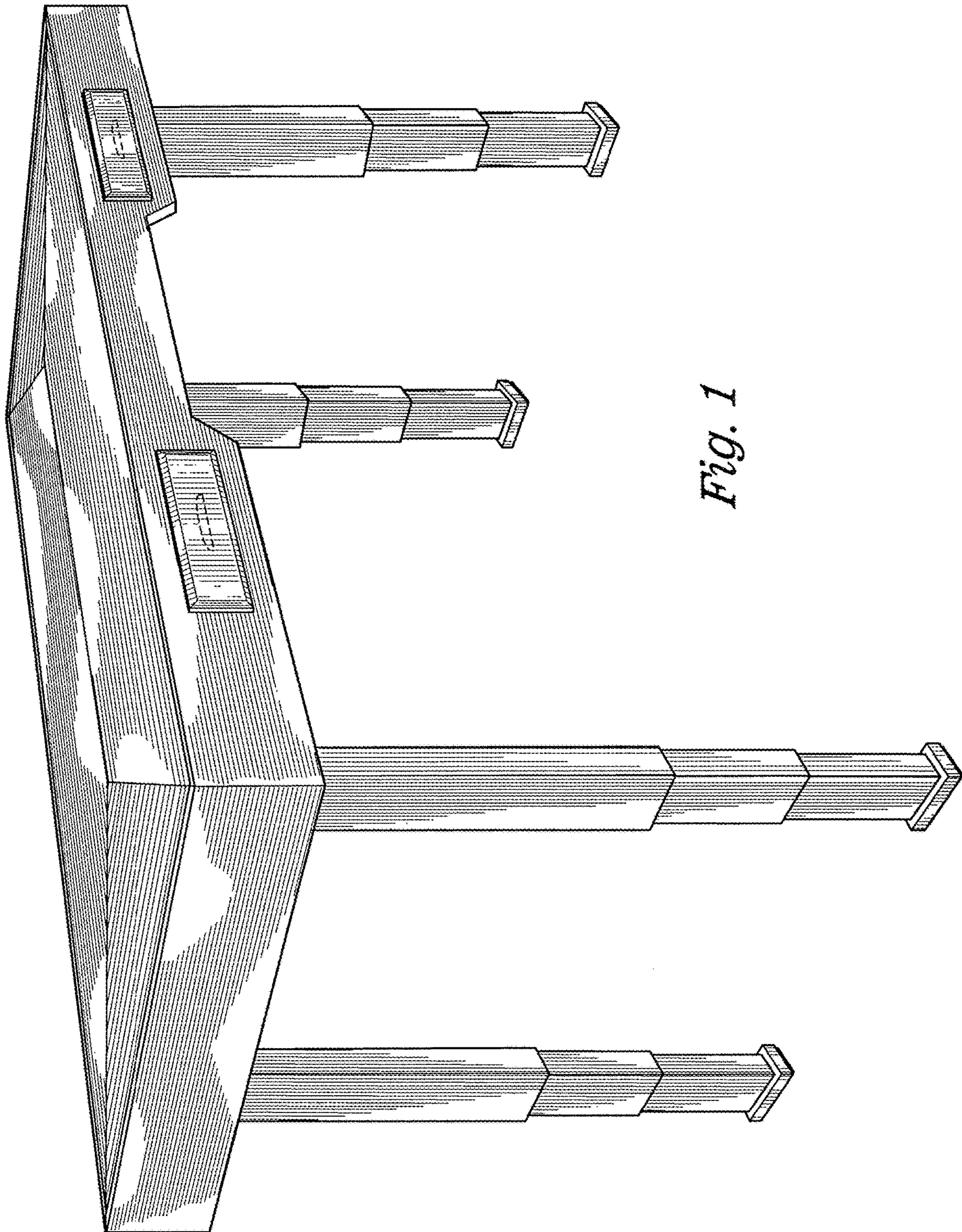
**DESCRIPTION**

FIG. 1 is a front top perspective view of a standing desk, showing my new design;  
FIG. 2 is a front view thereof;  
FIG. 3 is a back view thereof;  
FIG. 4 is a left view thereof;  
FIG. 5 is a right view thereof;  
FIG. 6 is a top view thereof;  
FIG. 7 is a bottom view thereof;  
FIG. 8 is a front view of a standing desk shown in a collapsed position; and,  
FIG. 9 is a front view of a standing desk shown in a fully extended position.  
The broken line portion of the figure drawings is included to show portions of the article that form no part of the claimed design.

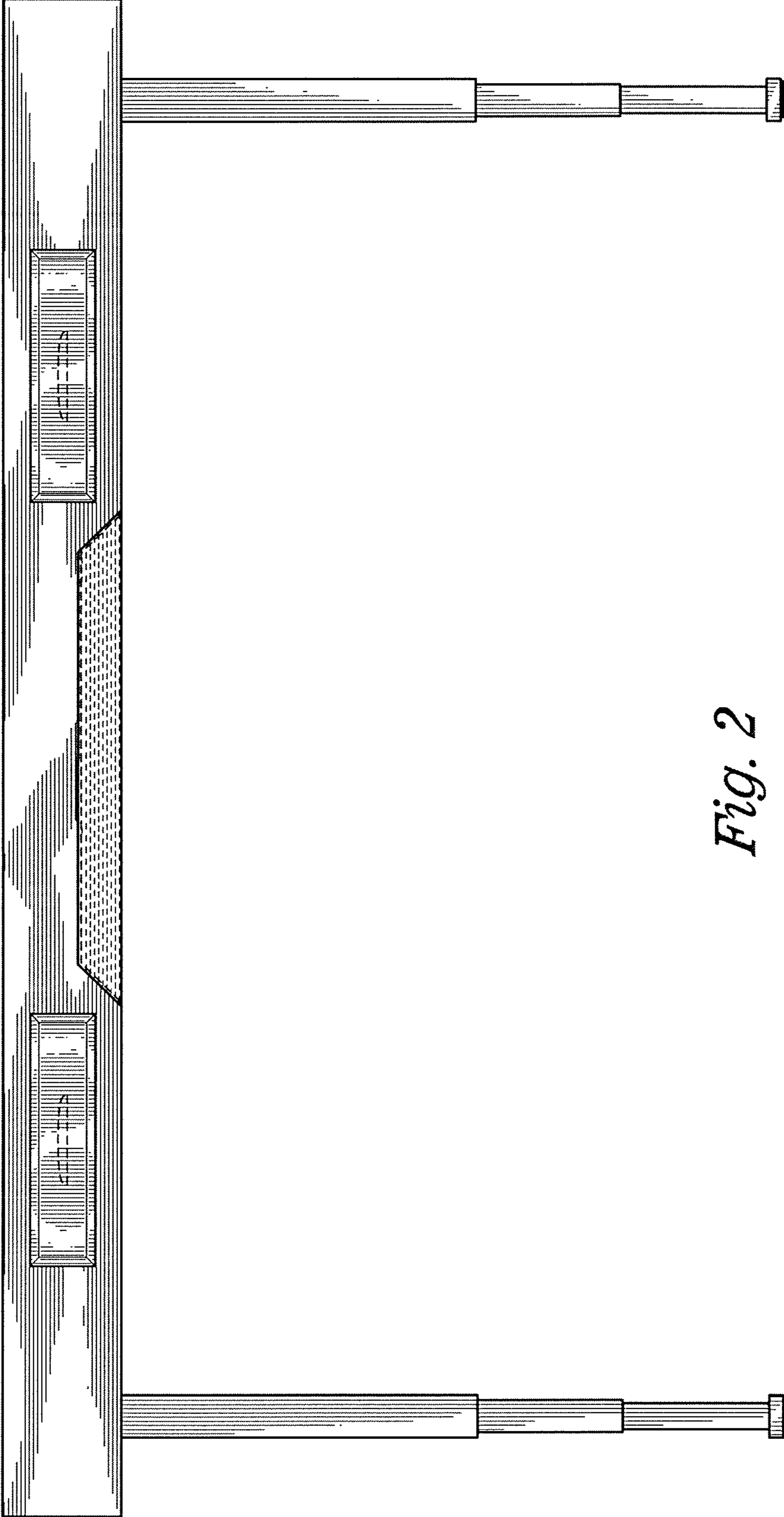
- (56) **References Cited**  
U.S. PATENT DOCUMENTS  
D91,029 S \* 11/1933 Guild ..... D6/349  
D91,848 S \* 3/1934 Slee ..... D6/691

**1 Claim, 8 Drawing Sheets**





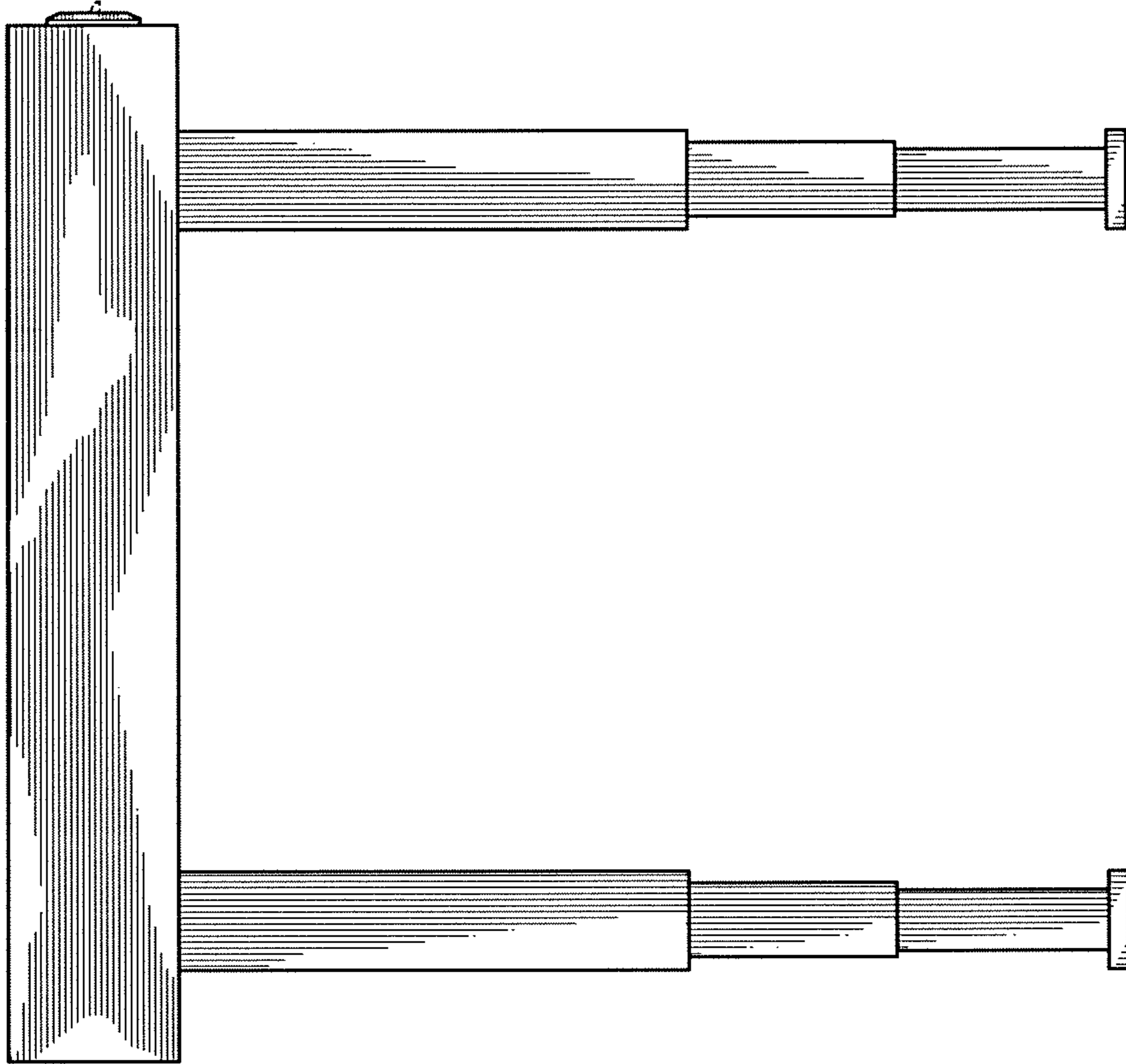
*Fig. 1*



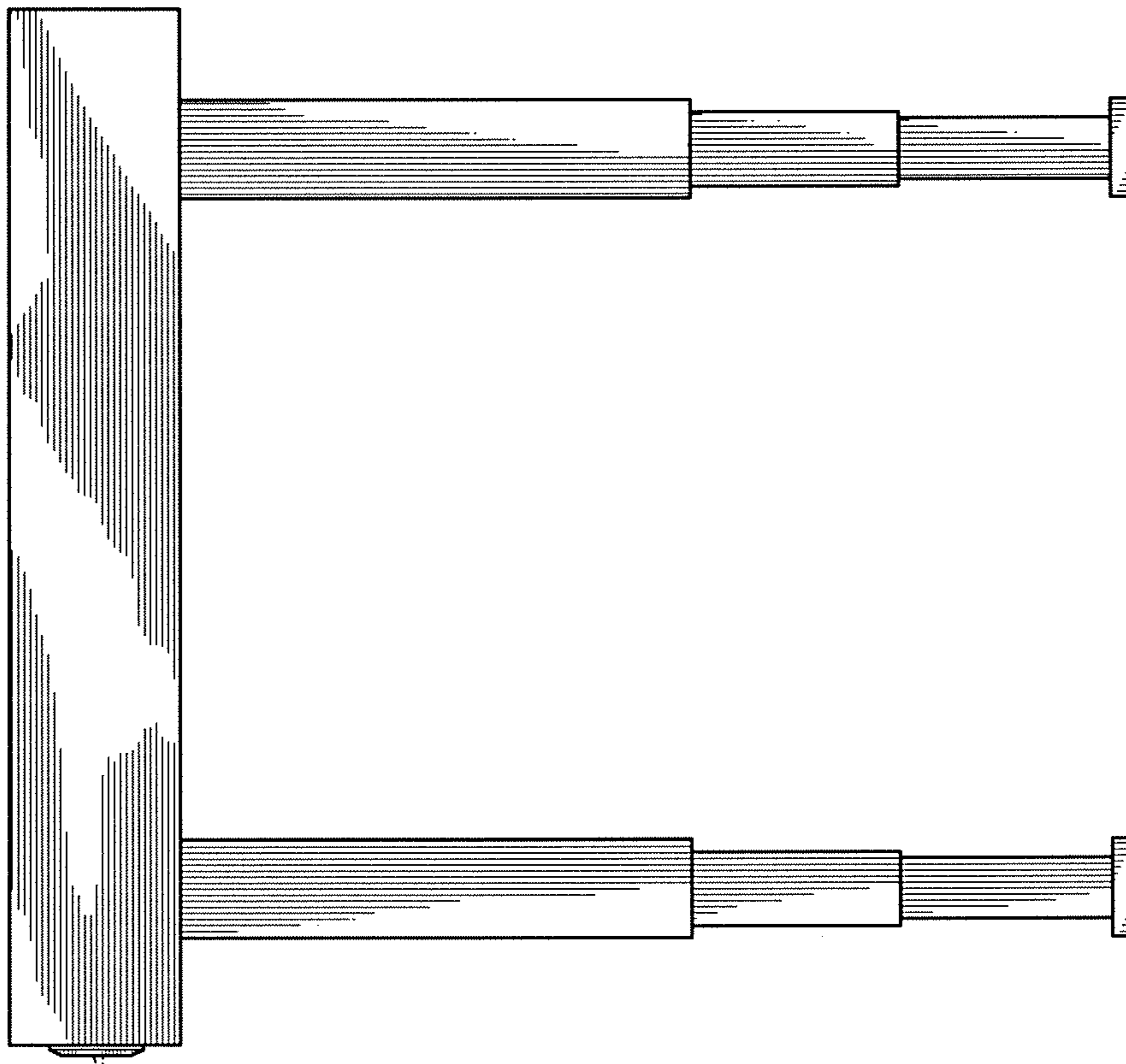
*Fig. 2*



*Fig. 3*



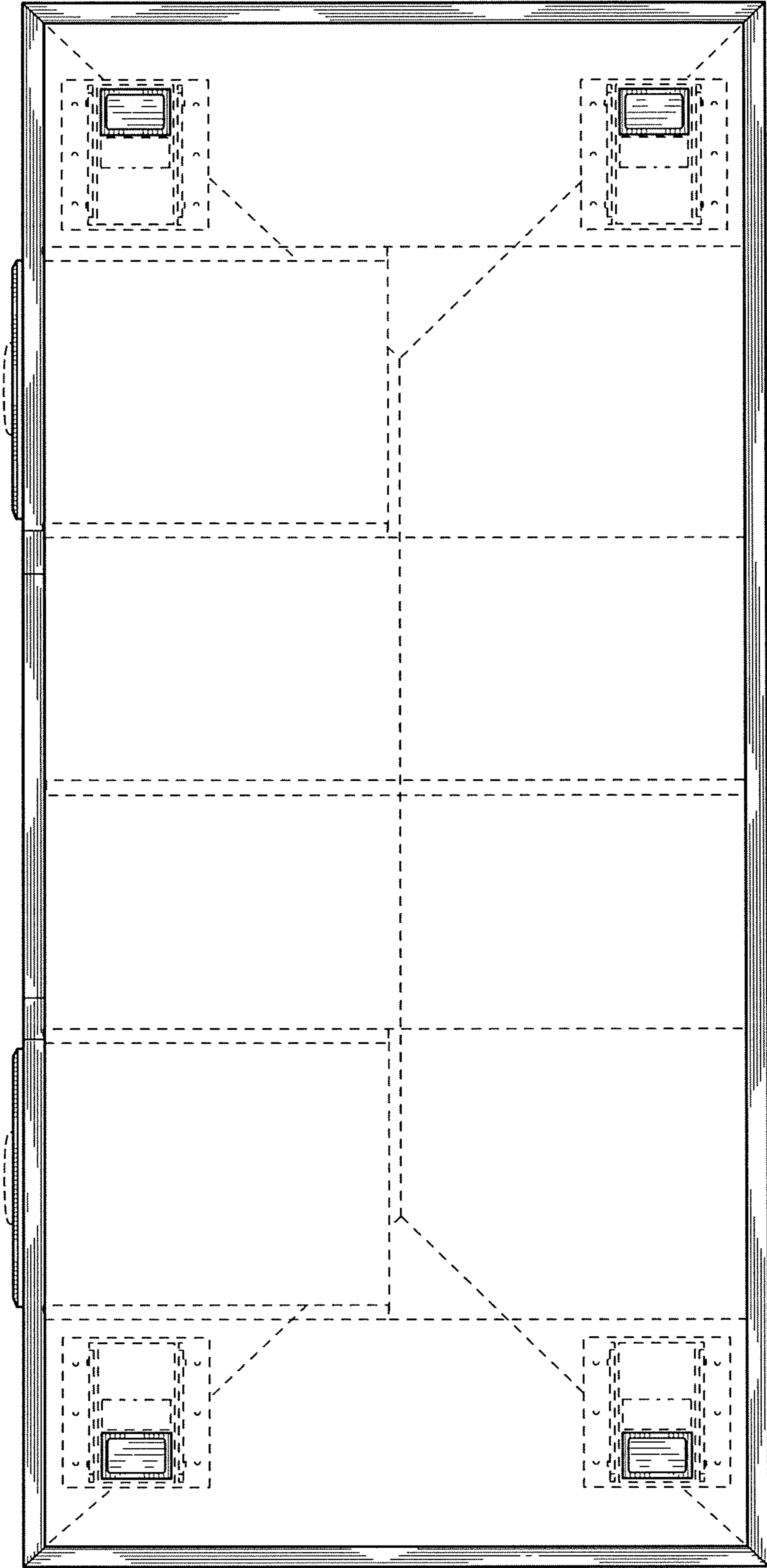
*Fig. 5*



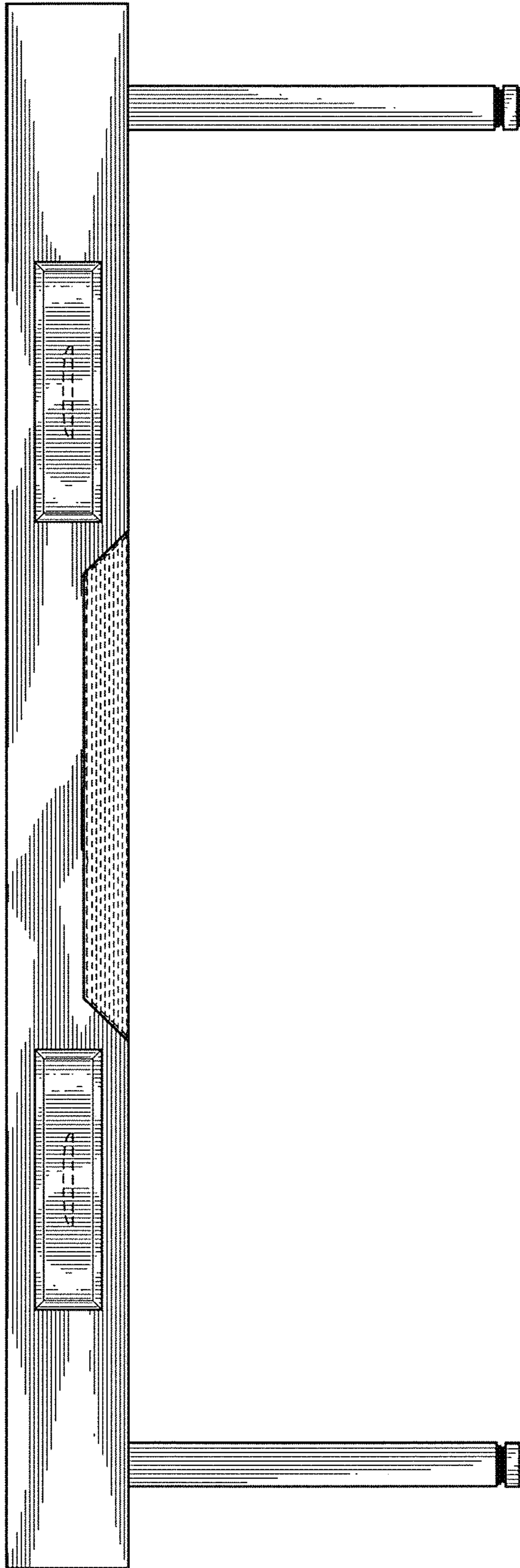
*Fig. 4*



*Fig. 6*

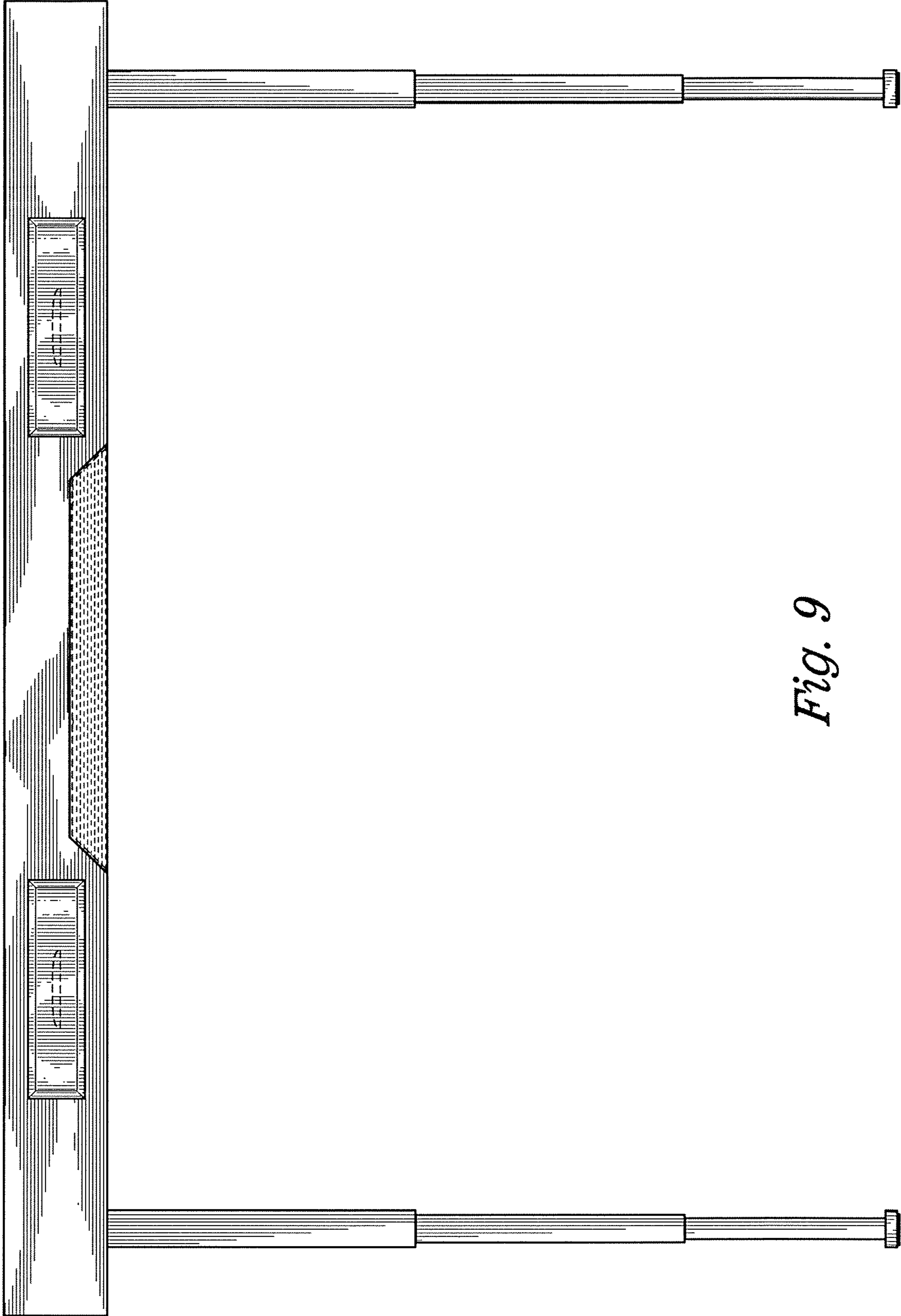


*Fig. 7*



*Fig. 8*





*Fig. 9*