



US00D880208S

(12) **United States Design Patent**
Piva

(10) **Patent No.:** **US D880,208 S**

(45) **Date of Patent:** **** *Apr. 7, 2020**

(54) **TABLE**

(71) Applicant: **RUBELLI S.P.A.**, Venice (IT)

(72) Inventor: **Marco Piva**, Milan (IT)

(73) Assignee: **RUBELLI S.p.A.**, Venice (IT)

(*) Notice: This patent is subject to a terminal disclaimer.

(**) Term: **15 Years**

(21) Appl. No.: **35/504,856**

(22) Filed: **Apr. 17, 2018**

(80) **Hague Agreement Data**

Int. Filing Date: **Apr. 17, 2018**

Int. Reg. No.: **DM/100819**

Int. Reg. Date: **Apr. 17, 2018**

Int. Reg. Pub. Date: **May 4, 2018**

(51) **LOC (12) Cl.** **06-03**

(52) **U.S. Cl.**
USPC **D6/691.1**

(58) **Field of Classification Search**
USPC ... D6/641, 642, 685, 686, 691, 691.1–691.9,
D6/692

CPC A47B 7/00; A47B 13/00; A47B 13/02;
A47B 13/04; A47B 13/06; A47B 13/08;
A47B 13/12; A47B 21/00; A47B
2200/0001; A47B 2200/0011

See application file for complete search history.

(56) **References Cited**

U.S. PATENT DOCUMENTS

D258,104 S * 2/1981 Baker D6/692
D332,363 S * 1/1993 Hollein D6/691.3
D394,363 S * 5/1998 Berlic D6/691.3

D441,992 S * 5/2001 Noll D6/708
D650,612 S * 12/2011 Frinier A47B 7/00
D6/691.3
D774,809 S * 12/2016 Grossinger D6/691.3
2012/0103235 A1* 5/2012 Summerville A47B 1/04
108/89
2014/0060395 A1* 3/2014 Ruitter A47B 13/081
108/50.02
2015/0366337 A1* 12/2015 Luebke A47B 13/081
108/44
2018/0153301 A1* 6/2018 Saotome A47B 7/00

OTHER PUBLICATIONS

Mid Century Dining Table by SMOCO Furniture—Marketplace.com <https://www.custommade.com/mid-century-dining-table-oval-table-metal-base/by/somco/> retrieved from the internet on Mar. 12, 2019.*

* cited by examiner

Primary Examiner — Mary Ann Calabrese

(74) *Attorney, Agent, or Firm* — Thomas | Horstemeyer, LLP

(57) **CLAIM**

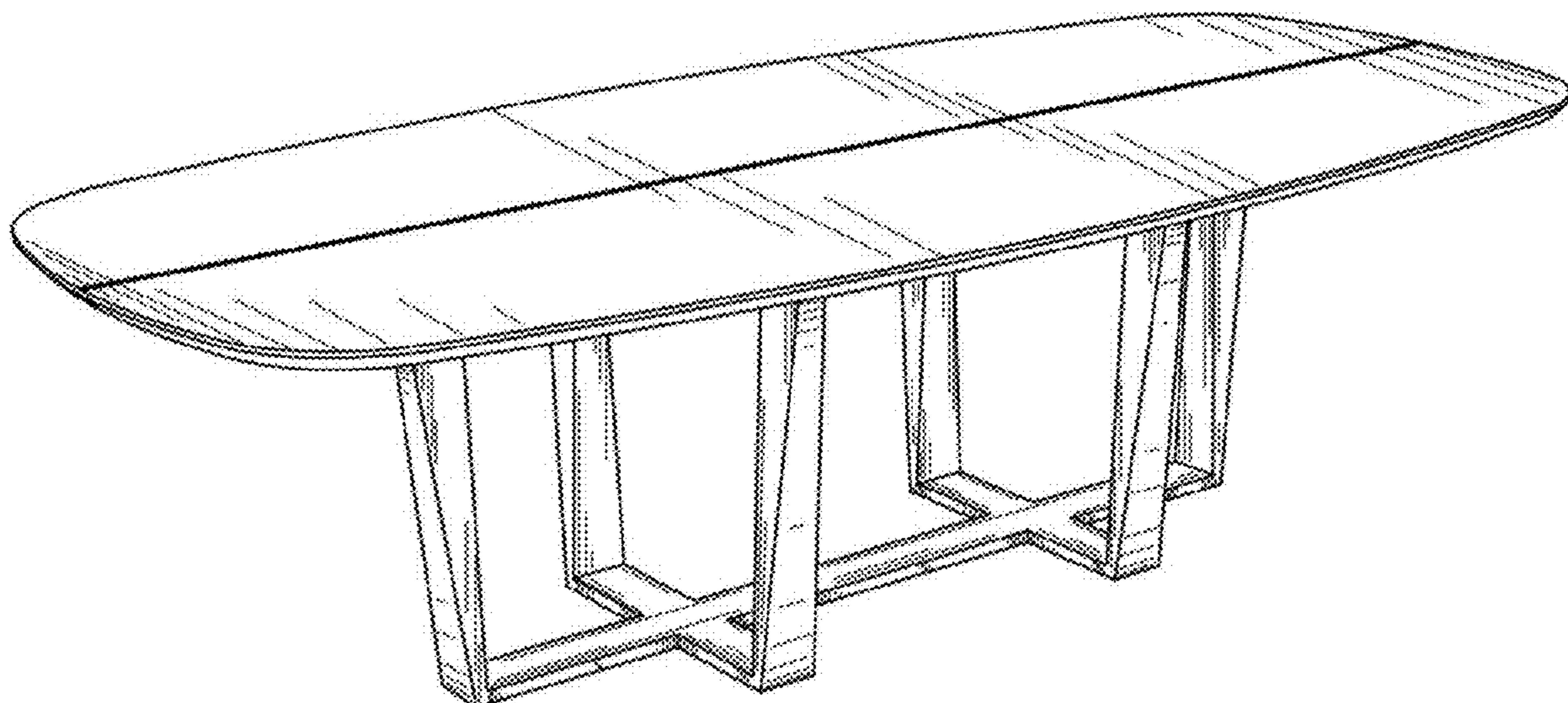
The ornamental design for table, as shown and described.

DESCRIPTION

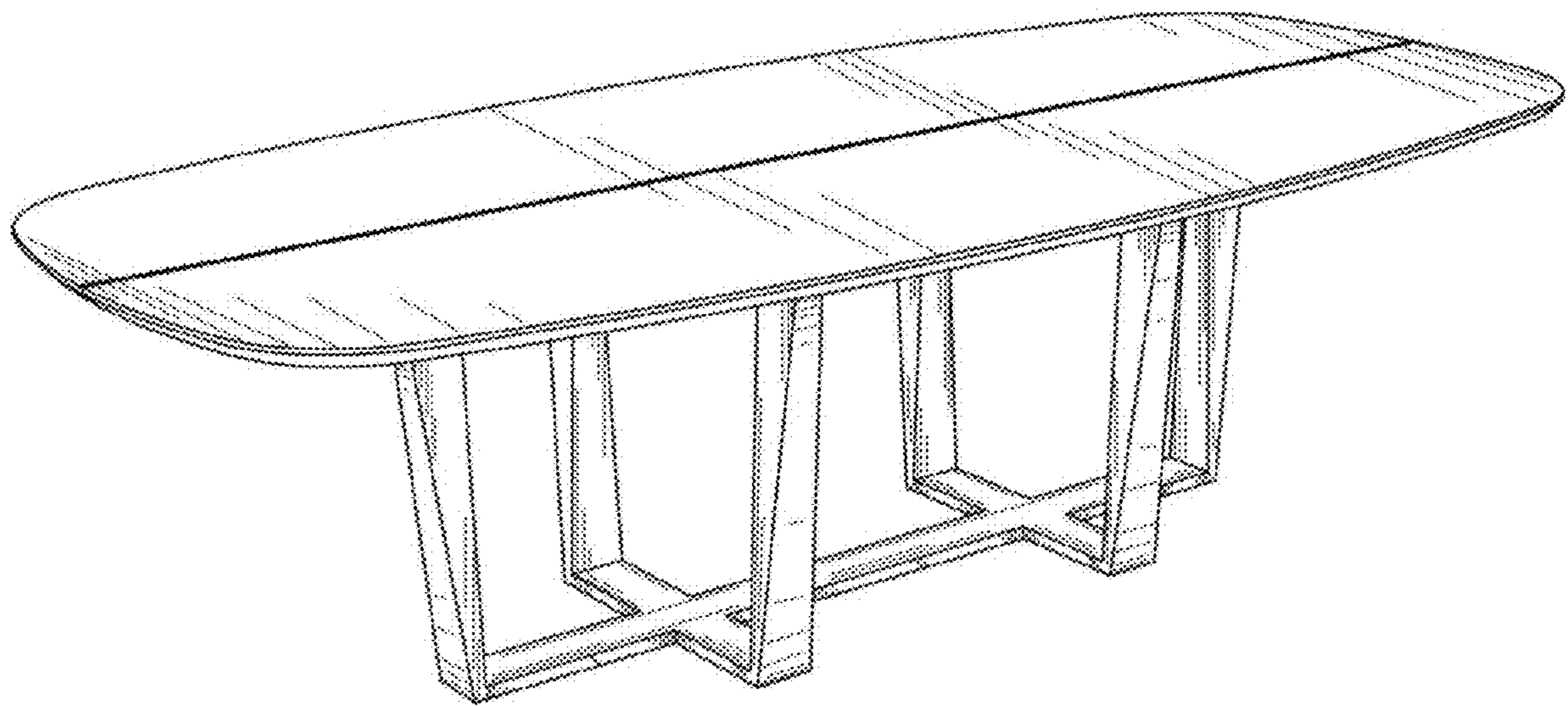
1.1 is a top view of a table, showing my new design;
1.2 is an end view thereof, the opposite end being a mirror image thereof;
1.3 is a side view thereof, the opposite side being a mirror image thereof;
1.4 is a top view thereof; and
1.5 is a bottom view thereof.

The broken lines shown in the drawings of the table are for the purpose of illustrating the environment and form no part of the claimed design.

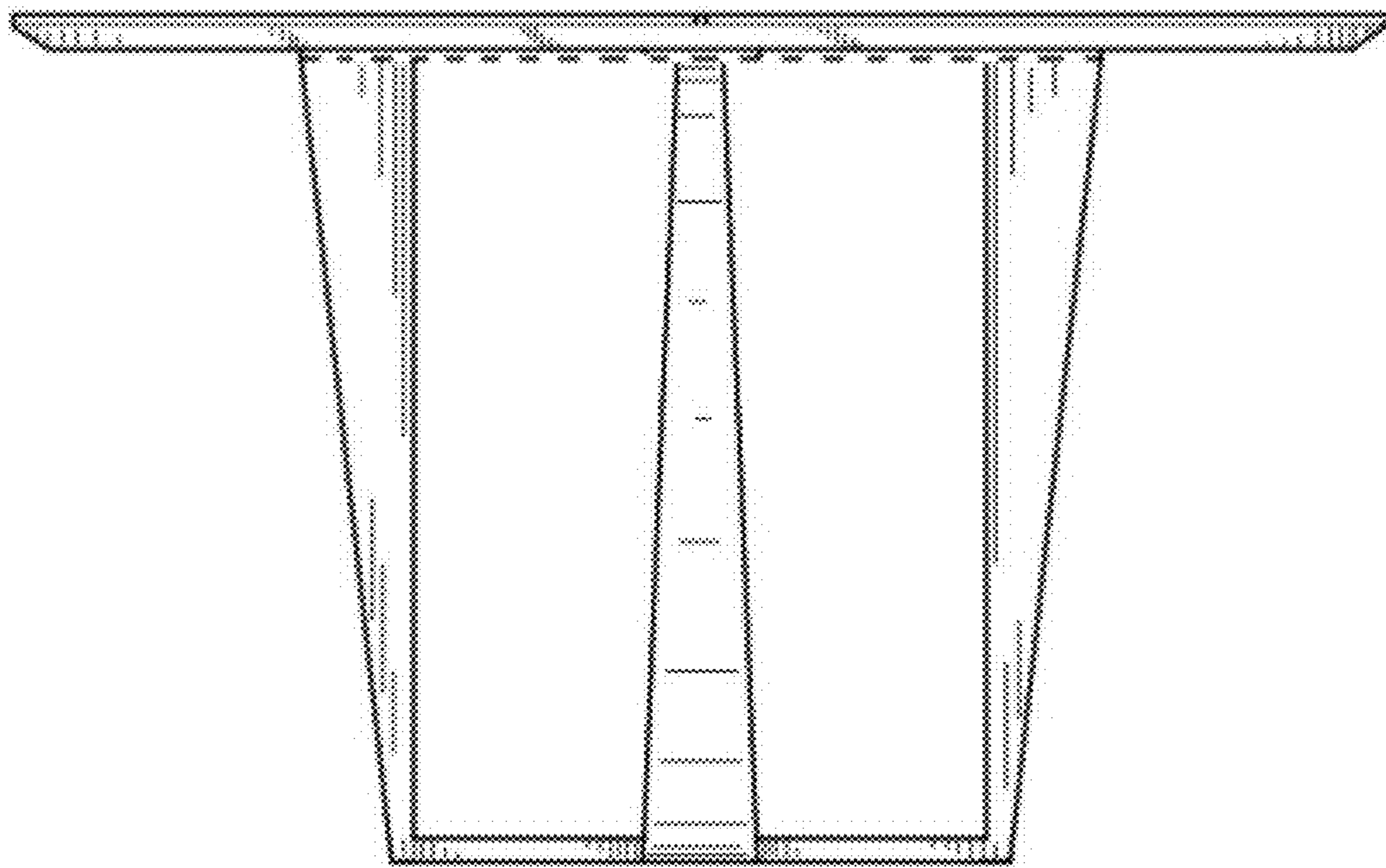
1 Claim, 5 Drawing Sheets



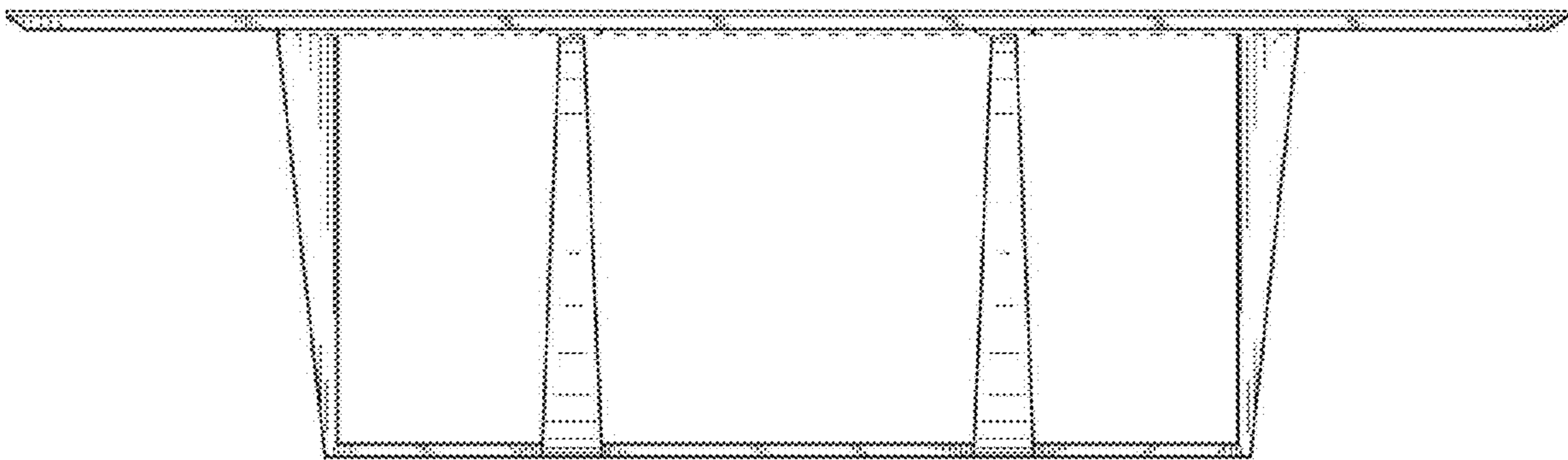
1.1



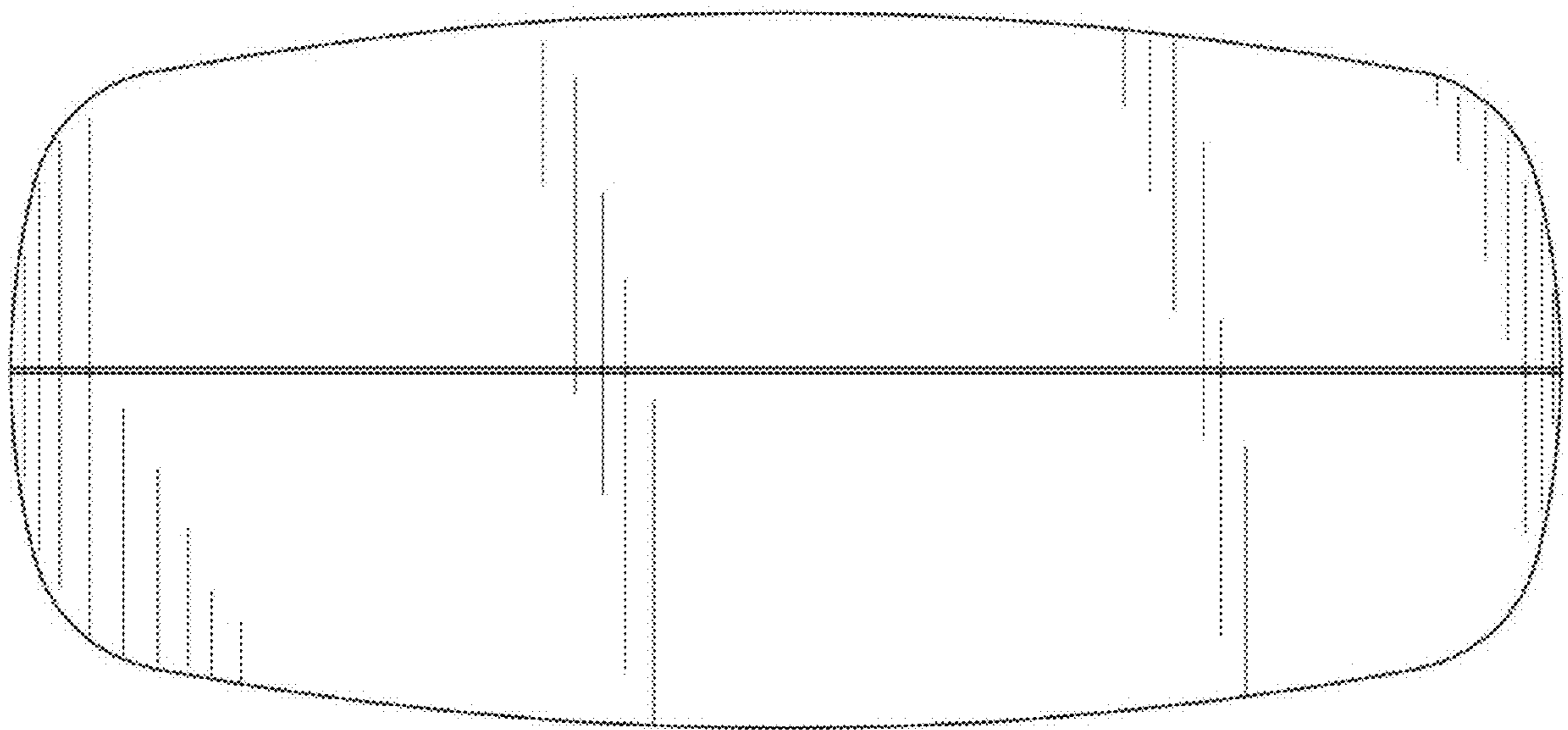
1.2



1.3



1.4



1.5

