



US00D880206S

(12) **United States Design Patent**
Kee

(10) **Patent No.:** **US D880,206 S**

(45) **Date of Patent:** **** Apr. 7, 2020**

(54) **WIRE RACK**

(71) Applicant: **Yang Heng Kee**, Hectorville (AU)

(72) Inventor: **Yang Heng Kee**, Hectorville (AU)

(**) Term: **15 Years**

(21) Appl. No.: **29/659,060**

(22) Filed: **Aug. 6, 2018**

(51) **LOC (12) Cl.** **06-06**

(52) **U.S. Cl.**
USPC **D6/675.5**

(58) **Field of Classification Search**
USPC D32/55, 58; D6/536, 537, 566, 672,
D6/675.2, 675.5, 678, 678.4
CPC A47J 47/20; A47J 2201/00; A47J 47/00;
B65D 35/02; B65D 35/22; B65D 35/56;
B65D 21/032; A47B 7/02
See application file for complete search history.

(56) **References Cited**

U.S. PATENT DOCUMENTS

2,190,065	A *	2/1940	Griffin	A47F 5/01 211/85.26
D264,157	S *	5/1982	Karsikas	D24/228
5,035,335	A *	7/1991	Massoudnia	A47B 55/02 211/181.1
5,097,971	A *	3/1992	Norris	A47B 87/0207 211/126.6
5,152,407	A *	10/1992	Massoudnia	A47B 55/02 211/126.15
D425,754	S *	5/2000	Matteson	126/337 R
6,318,570	B1 *	11/2001	Mueller	A47B 87/0207 211/126.7
D457,752	S *	5/2002	Wood	D6/566
D460,294	S *	7/2002	Webb	D7/601

D485,092	S *	1/2004	Rosen	D6/675.2
7,967,155	B2	6/2011	Klingspor et al.		
D690,966	S *	10/2013	Goodman	D6/675.5
D710,633	S *	8/2014	Mudrick	D6/675.5
D723,309	S *	3/2015	Goodman	D6/675.5
D742,664	S *	11/2015	Hsu	D6/675.5
D771,984	S *	11/2016	Tsai	D6/675.5
D787,244	S *	5/2017	Lee	D6/678.4

* cited by examiner

Primary Examiner — Kelley A Donnelly

(74) *Attorney, Agent, or Firm* — Nixon Peabody LLP

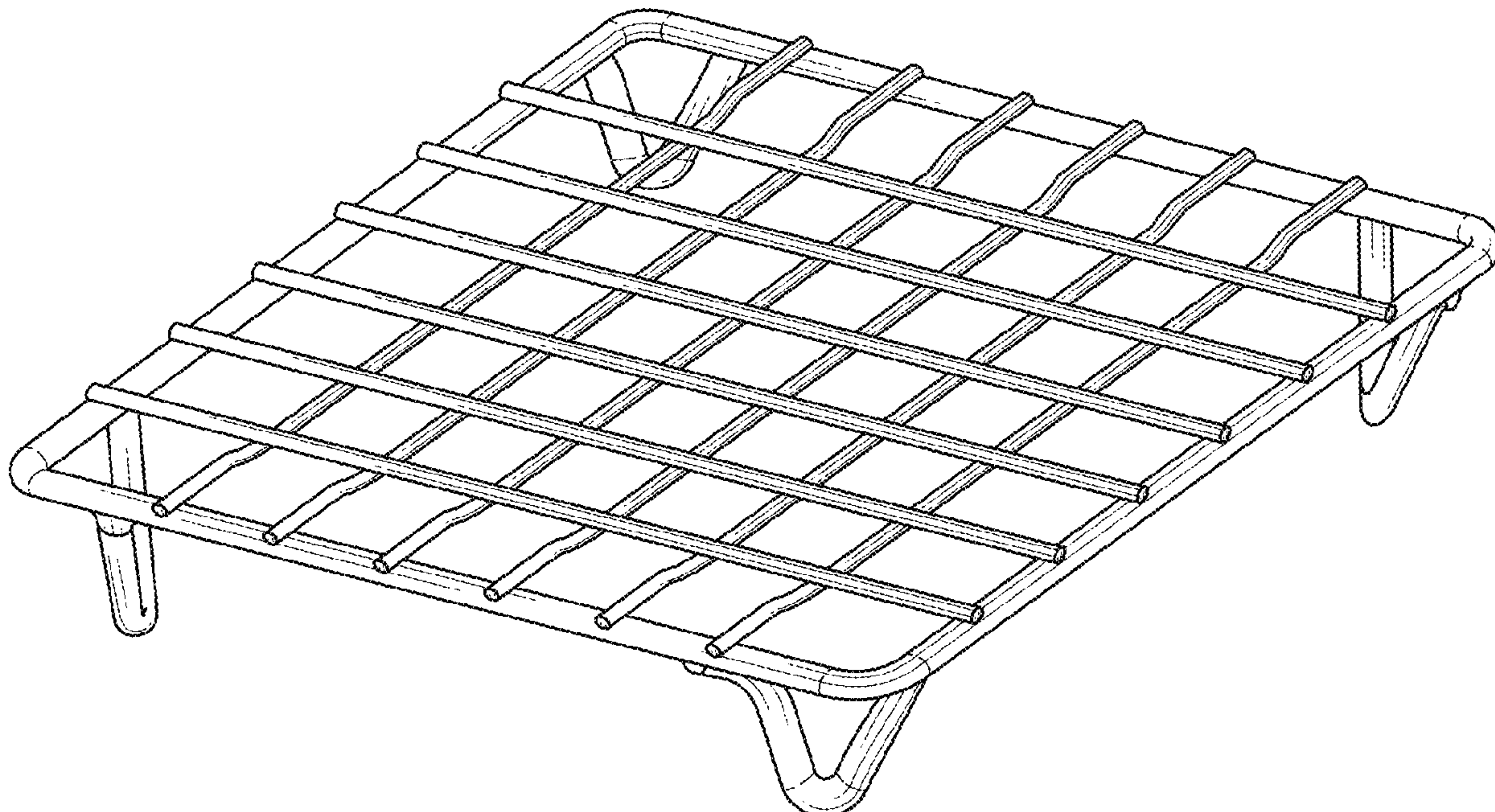
(57) **CLAIM**

The ornamental design for a wire rack, as shown and described.

DESCRIPTION

FIG. 1 illustrates a perspective top view of a wire rack. FIG. 2 illustrates a front view of the wire rack of FIG. 1. FIG. 3 illustrates a back view of the wire rack of FIG. 2. FIG. 4 illustrates a left side view of the wire rack of FIGS. 1-3. FIG. 5 illustrates a right side view of the wire rack of FIG. 4. FIG. 6 is a top view of the wire rack of FIGS. 1-5. FIG. 7 is a bottom view of the wire rack of FIGS. 1-6; and, FIG. 8 illustrates a perspective top view of the wire rack of FIG. 1 in a stacked environmental configuration. The broken lines are only for illustrative purposes to show visible environmental structure and form no part of the claimed invention.

1 Claim, 5 Drawing Sheets



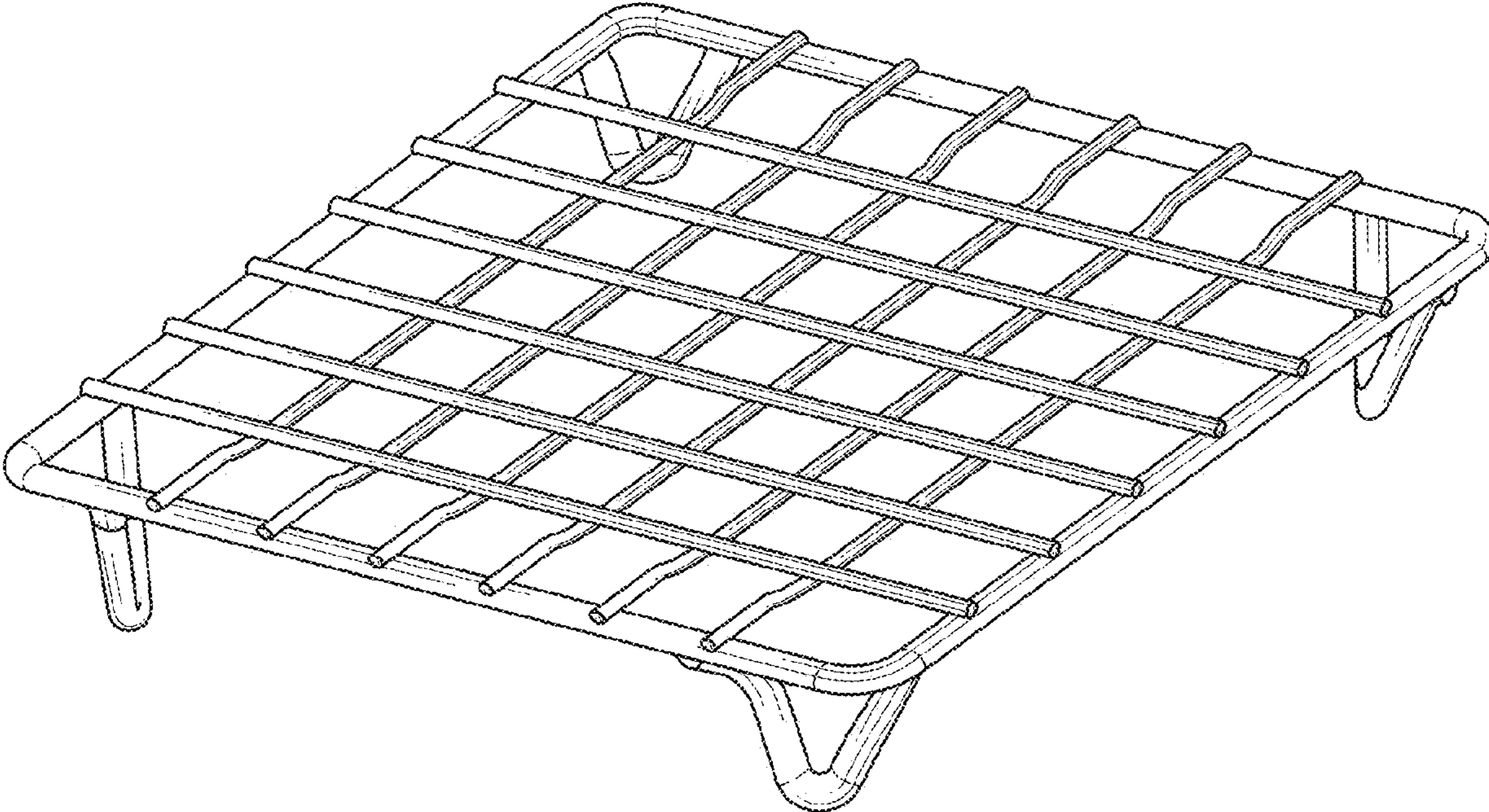


FIG. 1

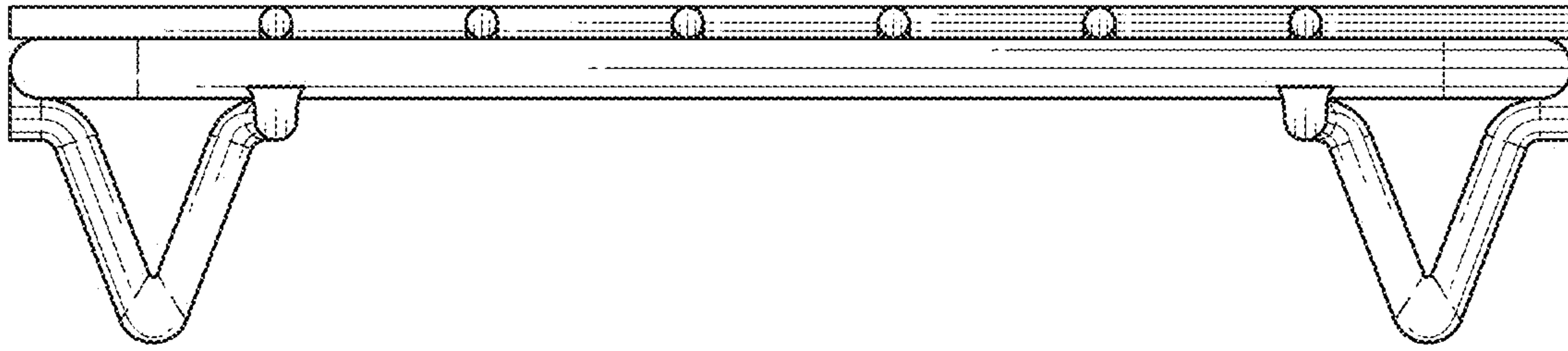


FIG. 2

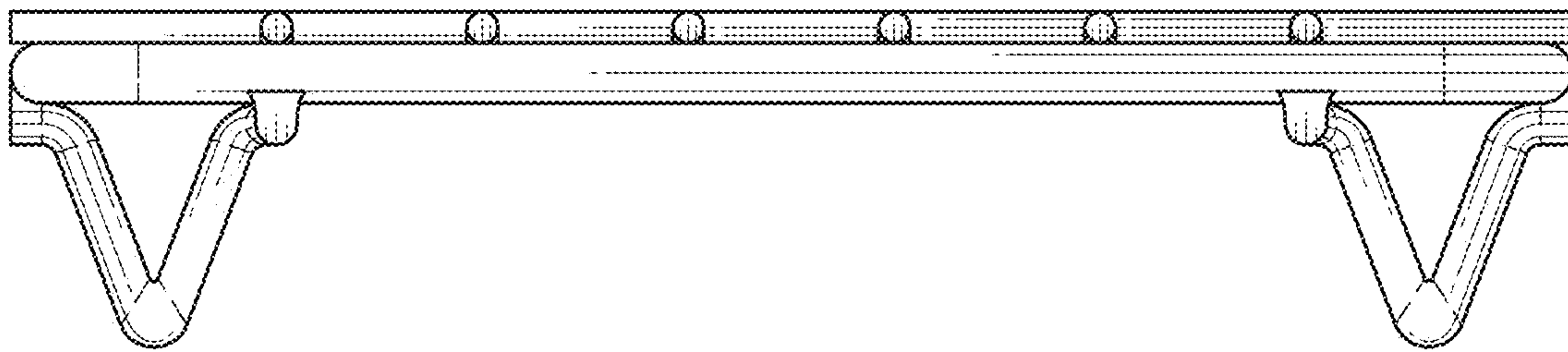


FIG. 3

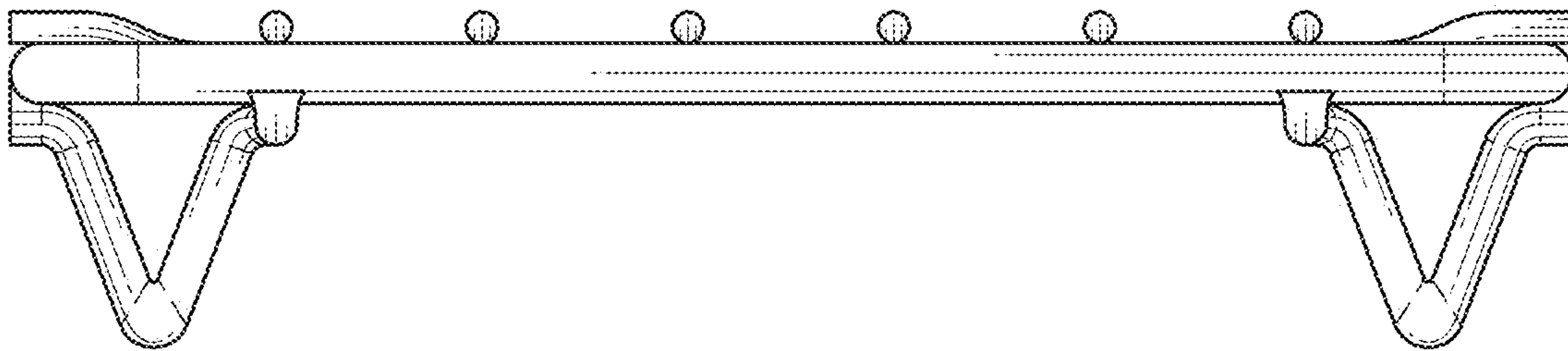


FIG. 4

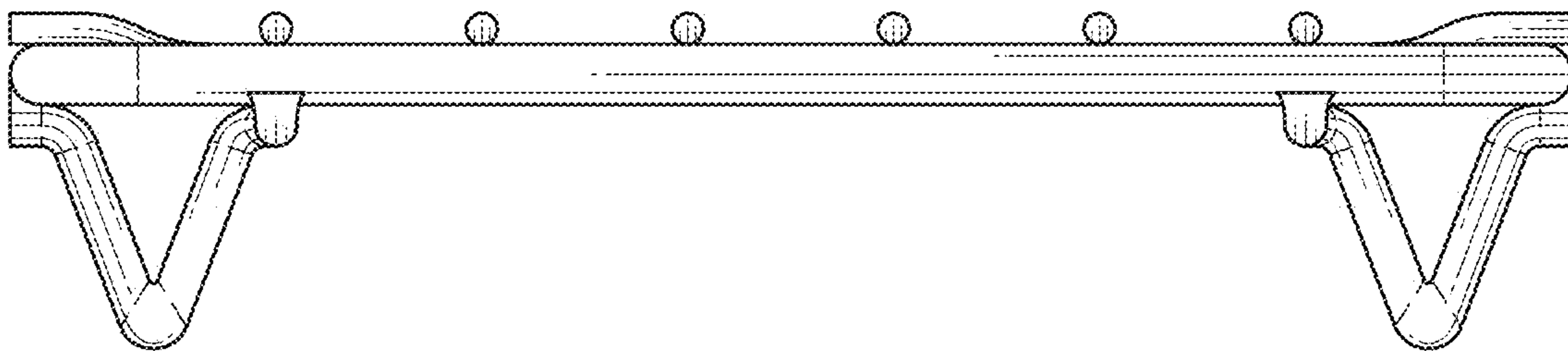


FIG. 5

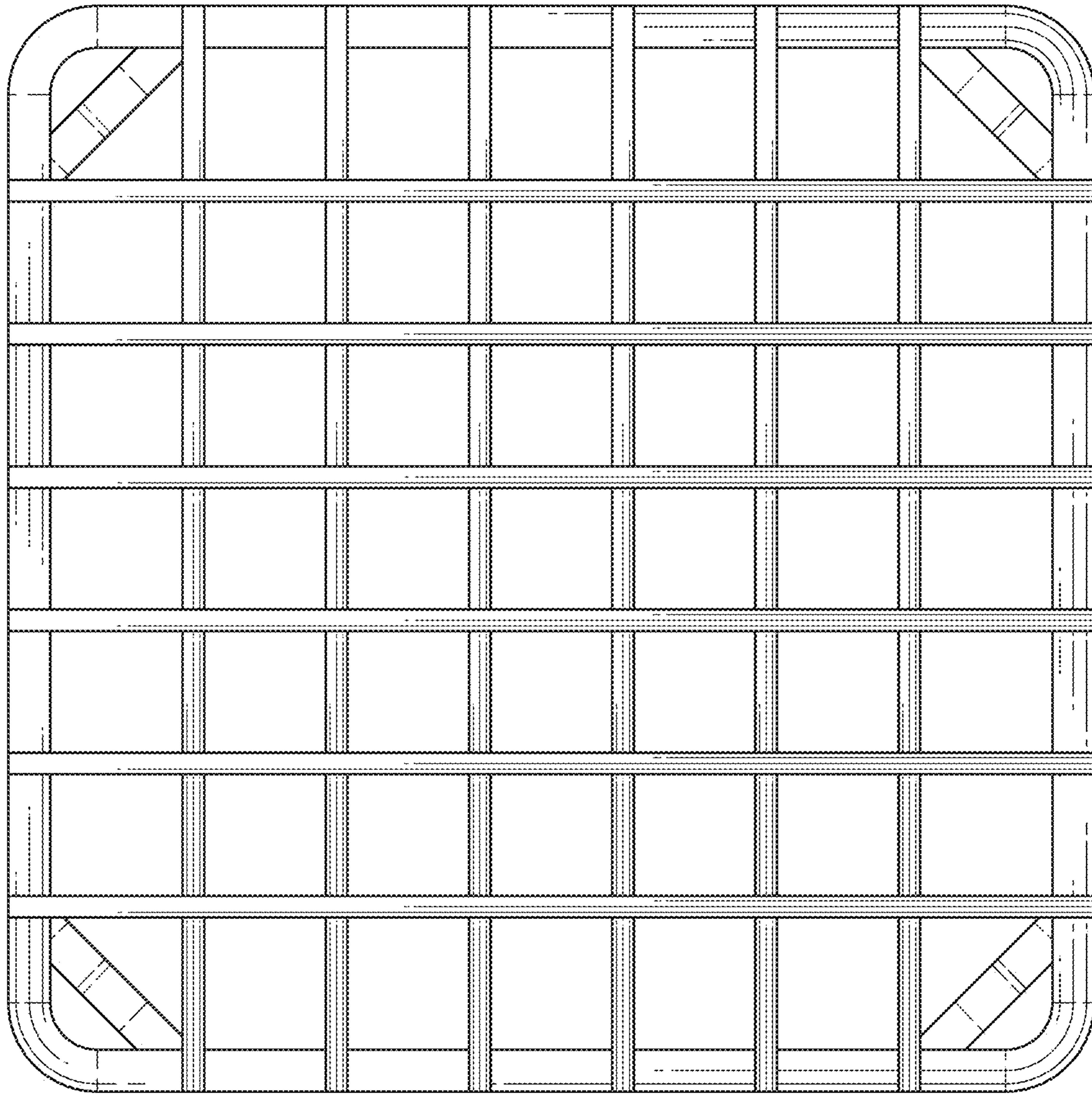


FIG. 6

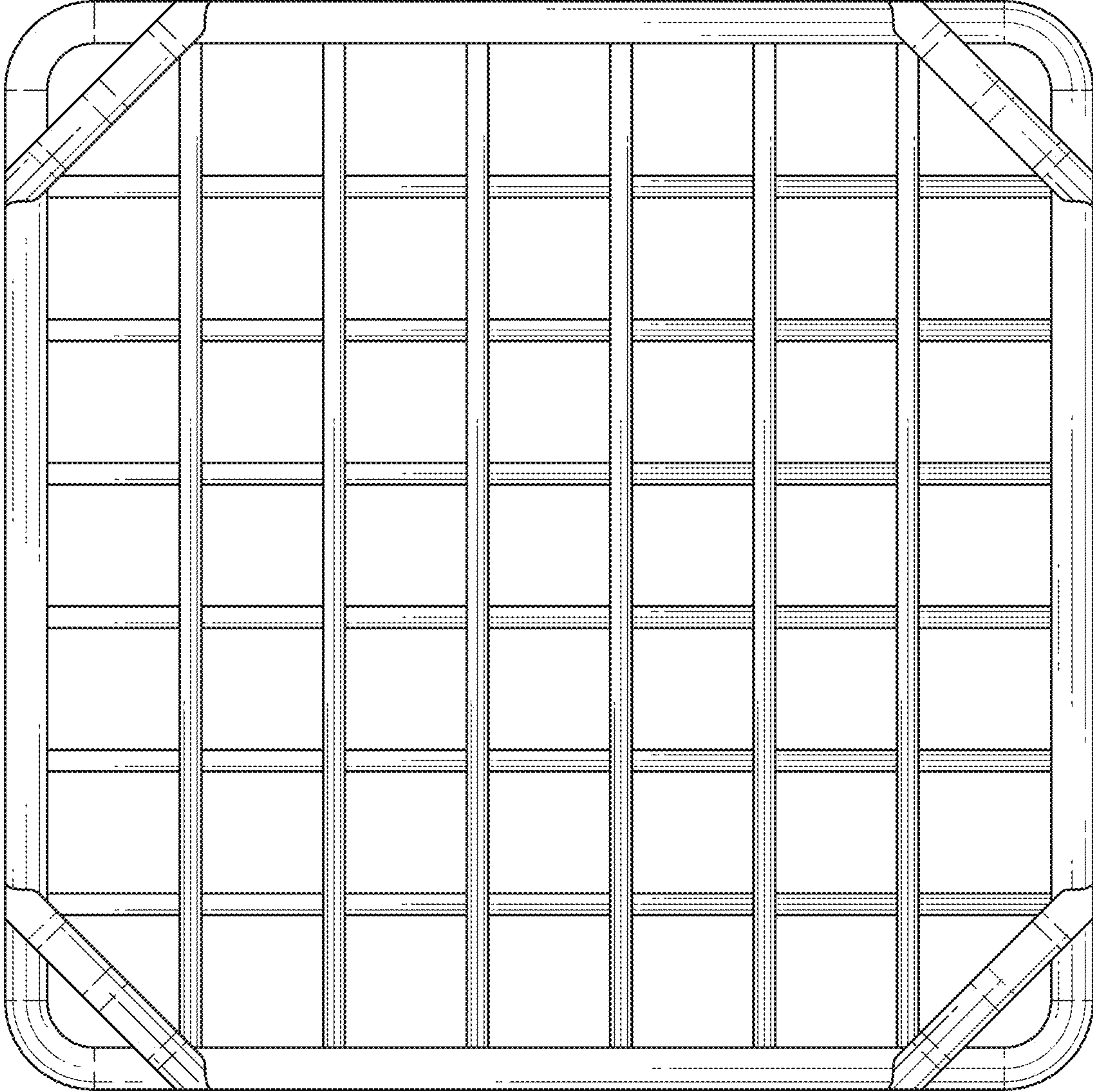


FIG. 7

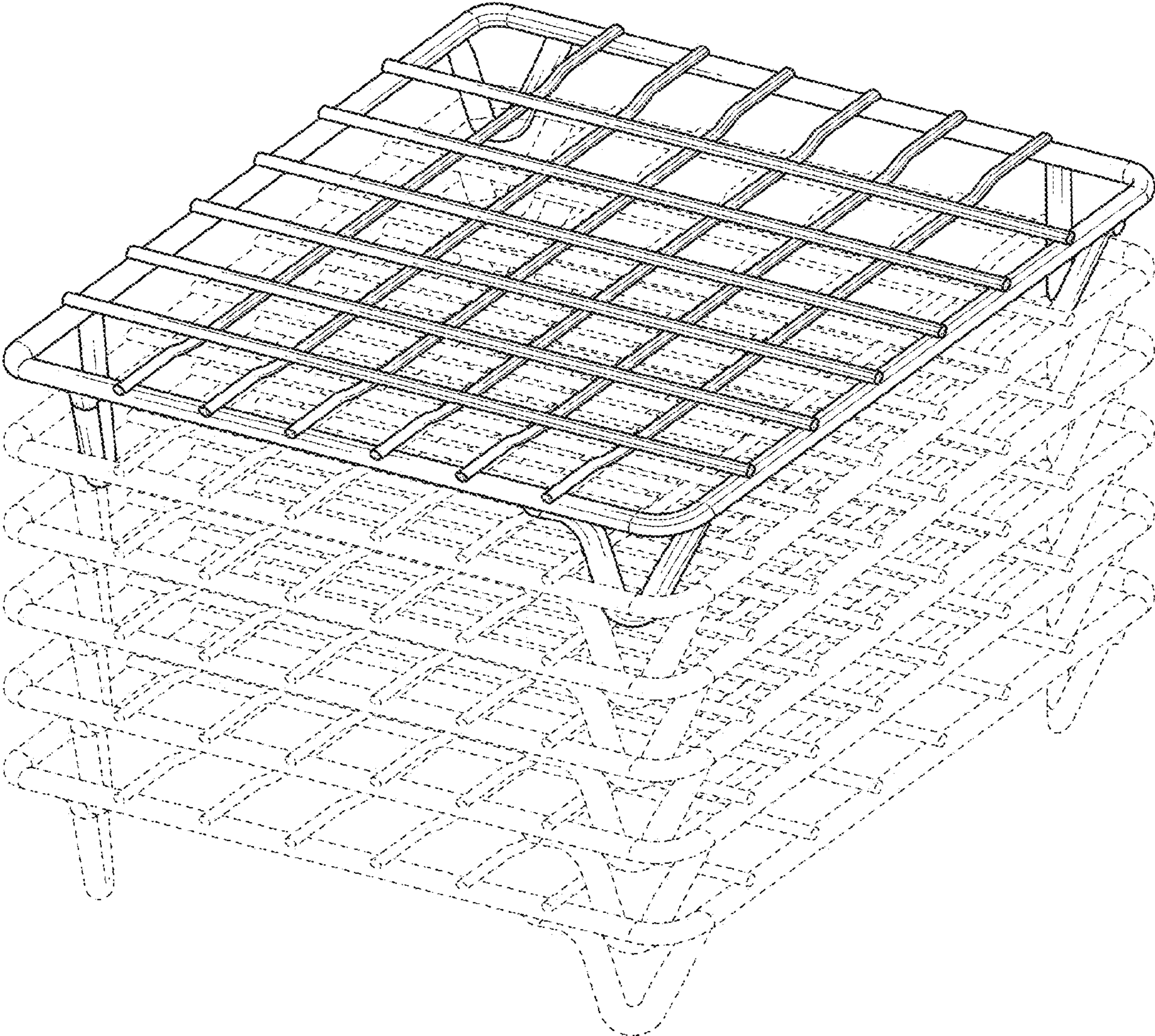


FIG. 8