



US00D880205S

(12) **United States Design Patent**
Rahbar

(10) **Patent No.:** **US D880,205 S**

(45) **Date of Patent:** **** Apr. 7, 2020**

- (54) **PRODUCT DISPLAY**
- (71) Applicant: **Linse Lighters, Inc.**, Los Angeles, CA (US)
- (72) Inventor: **Daniel Rahbar**, Los Angeles, CA (US)
- (73) Assignee: **LINSE LIGHTERS, INC.**, Los Angeles, CA (US)
- (**) Term: **15 Years**
- (21) Appl. No.: **29/664,640**
- (22) Filed: **Sep. 27, 2018**
- (51) **LOC (12) Cl.** **06-06**
- (52) **U.S. Cl.**
USPC **D6/675.3**
- (58) **Field of Classification Search**
USPC D6/672, 673, 675, 682, 682.1, 683;
D3/304, 314-315, 328; D19/86, 90, 91
CPC A47B 65/00; A47B 65/10; A47B 65/15;
A47F 3/004; A47F 3/14; B65D 3/24
See application file for complete search history.

| | | | | | | |
|--------------|------|---------|--------------|-------|-------------|----------|
| 5,697,505 | A * | 12/1997 | Sprague | | A47F 5/114 | 211/13.1 |
| 5,711,438 | A * | 1/1998 | Smith | | A47F 5/116 | 211/149 |
| D429,093 | S * | 8/2000 | Miller | | D6/683.1 | |
| 6,105,796 | A * | 8/2000 | Buchanan | | A47F 9/04 | 186/59 |
| D597,766 | S * | 8/2009 | Nealon | | D6/683 | |
| D628,407 | S * | 12/2010 | Robbins, III | | D6/683 | |
| D654,726 | S * | 2/2012 | Nealon | | D6/683.1 | |
| D689,718 | S * | 9/2013 | Puckett | | D6/683 | |
| D709,716 | S * | 7/2014 | Watson | | D6/675.3 | |
| 9,215,939 | B2 * | 12/2015 | Zobel | | A47F 5/0823 | |
| D814,216 | S * | 4/2018 | French | | D6/675 | |
| D842,011 | S * | 3/2019 | Fux | | D6/675 | |
| 2006/0273054 | A1 * | 12/2006 | Moss | | A47F 5/116 | 211/72 |

* cited by examiner

Primary Examiner — Kelly A Donnelly
(74) *Attorney, Agent, or Firm* — Hackler Daghighian Martino & Novak

(57) **CLAIM**

The ornamental design for a product display, as shown and described.

DESCRIPTION

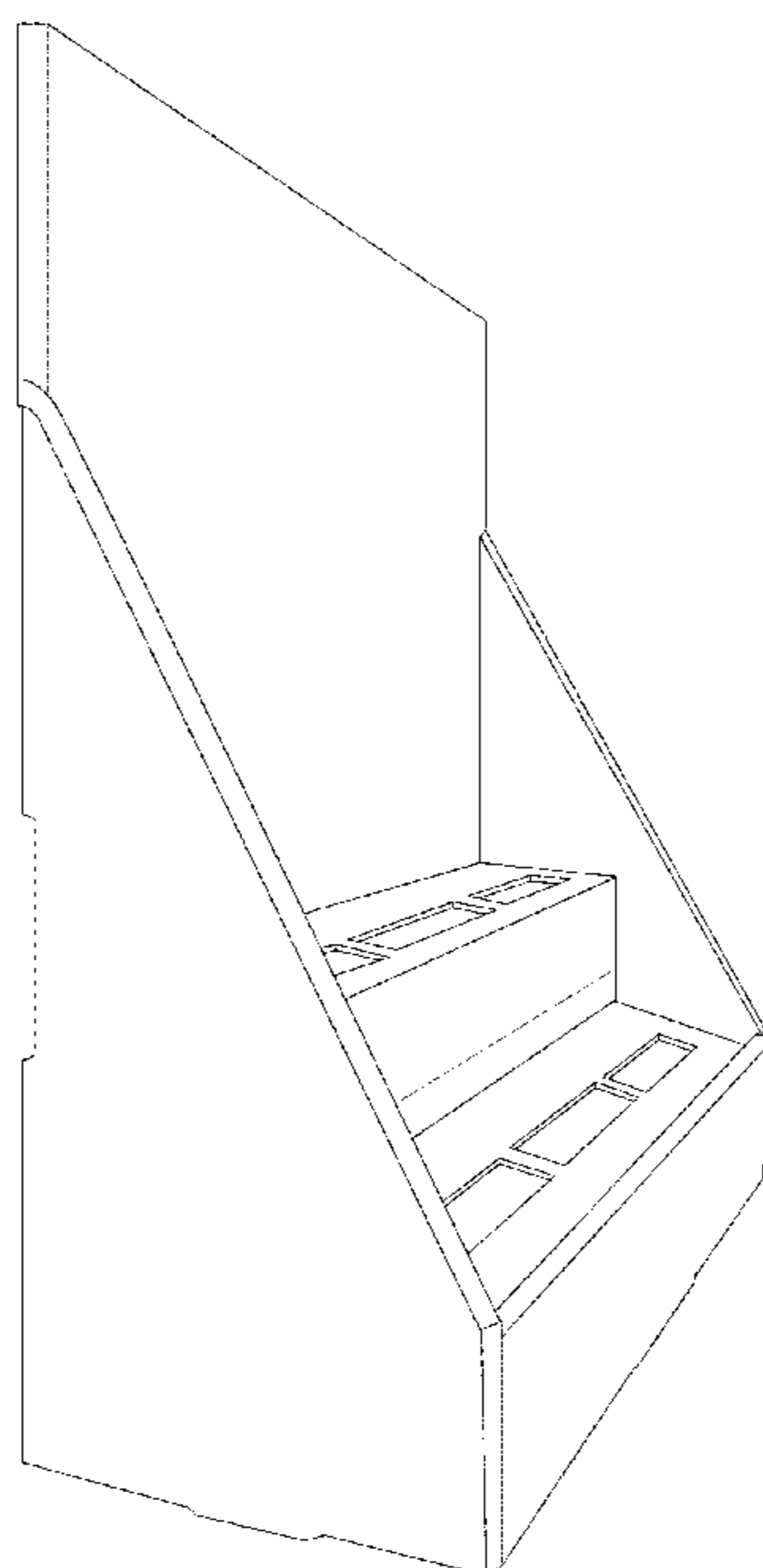
FIG. 1 is a perspective view of a product display embodying my new design;
FIG. 2 is a front perspective view of FIG. 1;
FIG. 3 is a left side perspective view of FIG. 1;
FIG. 4 is a right side perspective view of FIG. 1;
FIG. 5 is a top perspective view of FIG. 1;
FIG. 6 is a bottom perspective view of FIG. 1; and,
FIG. 7 is a rear perspective view of FIG. 1.
The broken lines depict environmental subject matter, are for illustration only and form no part of the claimed design.

1 Claim, 7 Drawing Sheets

(56) **References Cited**

U.S. PATENT DOCUMENTS

| | | | | | | |
|-----------|-----|--------|----------|-------|-------------|-----------|
| 1,964,880 | A * | 7/1934 | Katz | | A47F 5/116 | 108/100 |
| D141,760 | S * | 7/1945 | Gelinas | | D6/682.4 | |
| 2,867,048 | A * | 1/1959 | Holtzman | | B65D 5/5246 | 40/312 |
| RE32,668 | E * | 5/1988 | Smith | | A47F 5/116 | 211/132.1 |
| 5,150,813 | A * | 9/1992 | Harris | | A47F 7/147 | 206/45.26 |
| 5,443,168 | A * | 8/1995 | Dyment | | A47F 5/116 | 211/149 |



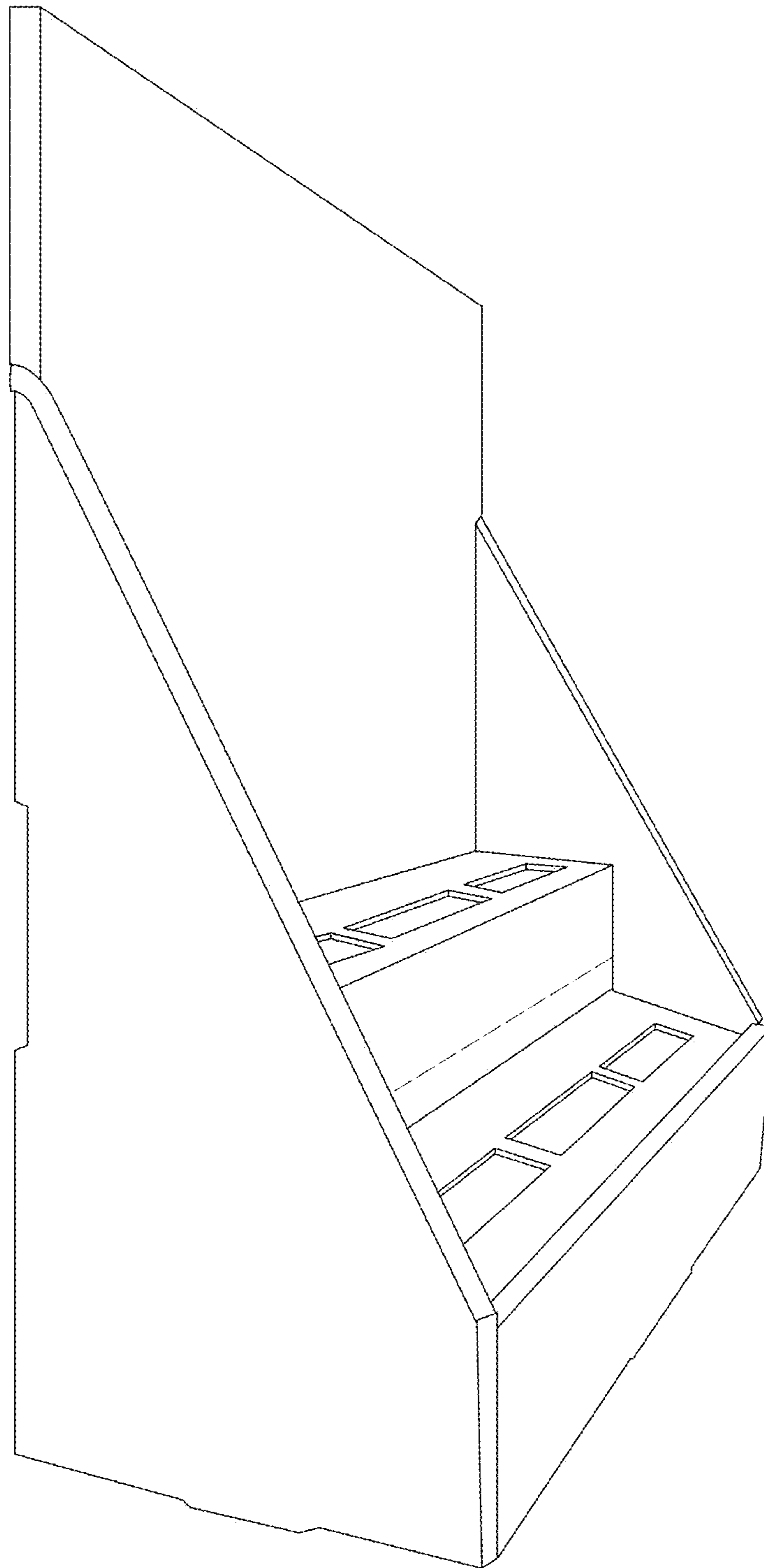


FIG. 1

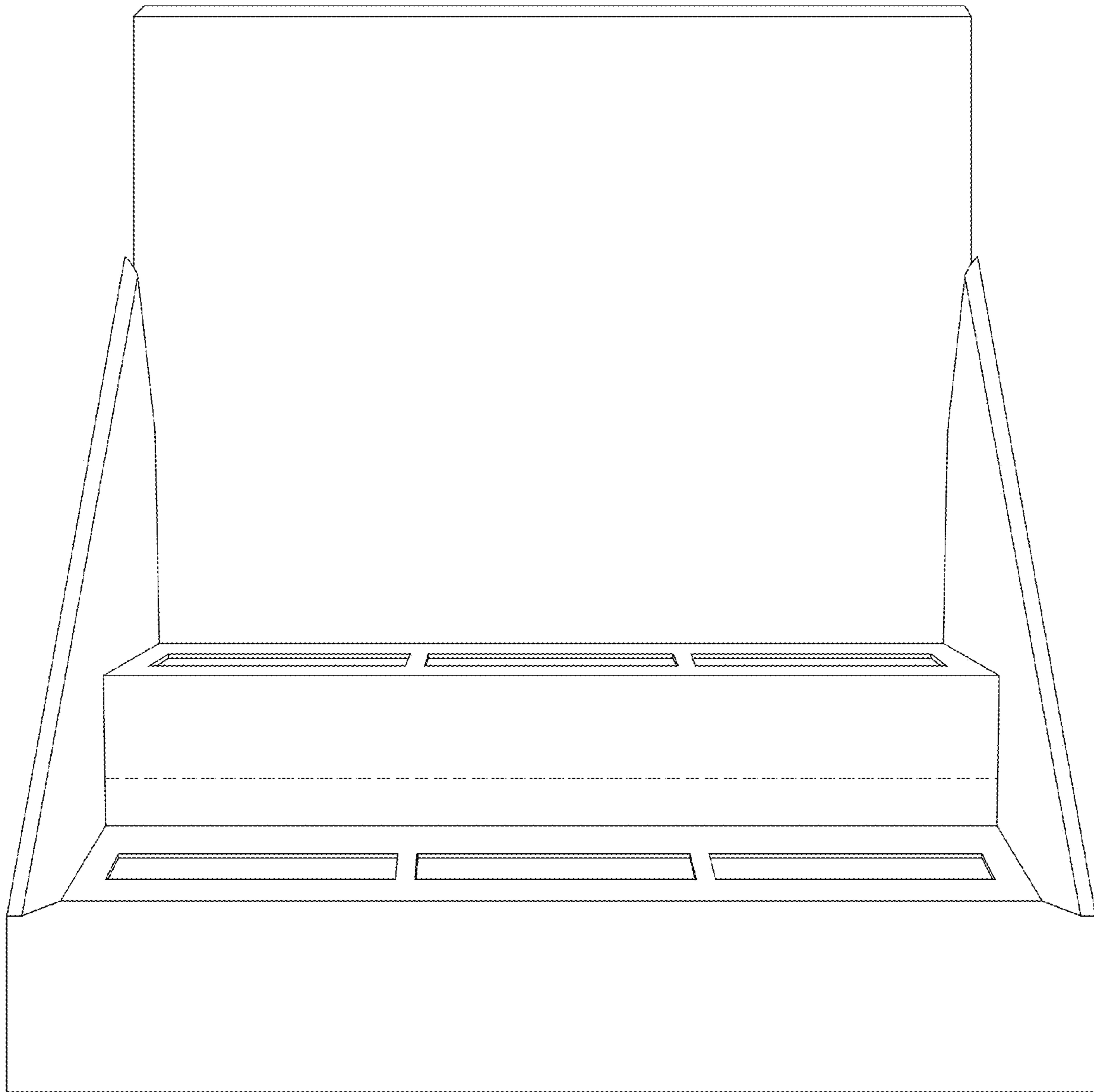


FIG. 2

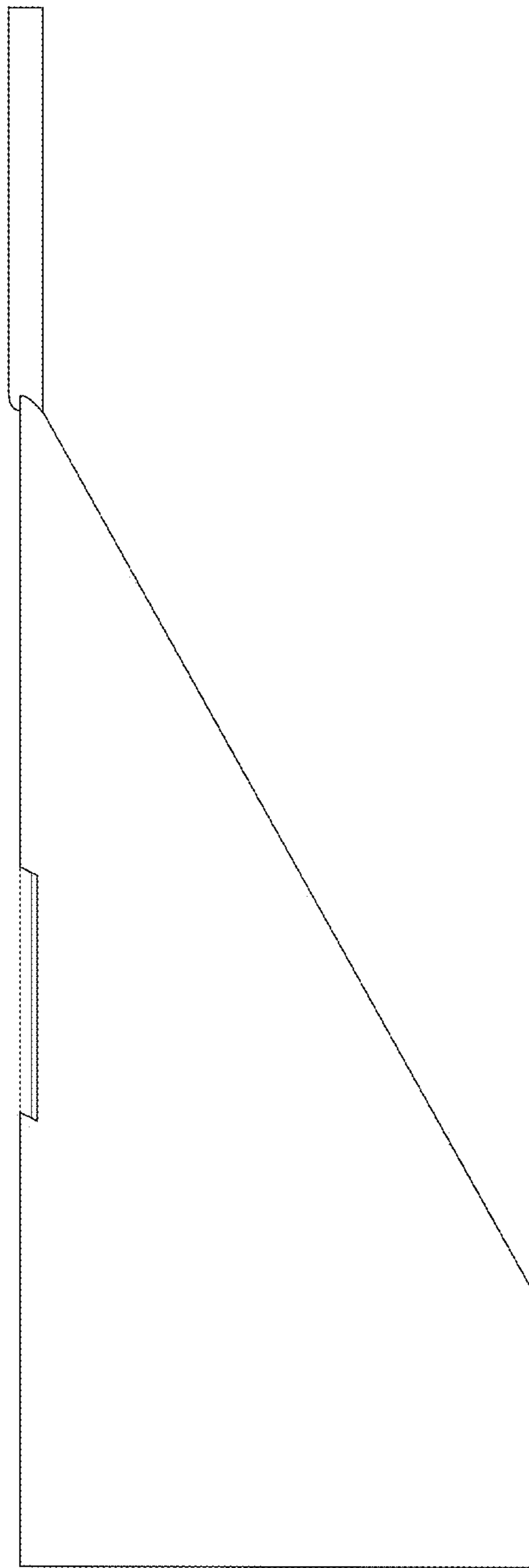


FIG. 3

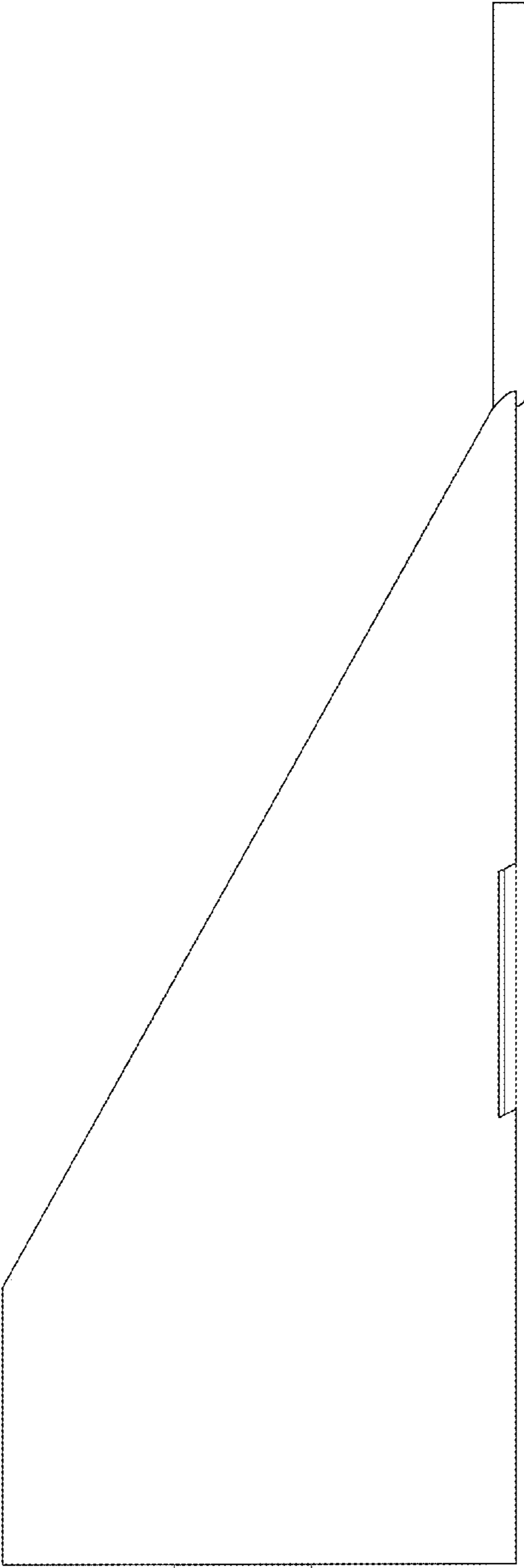


FIG. 4

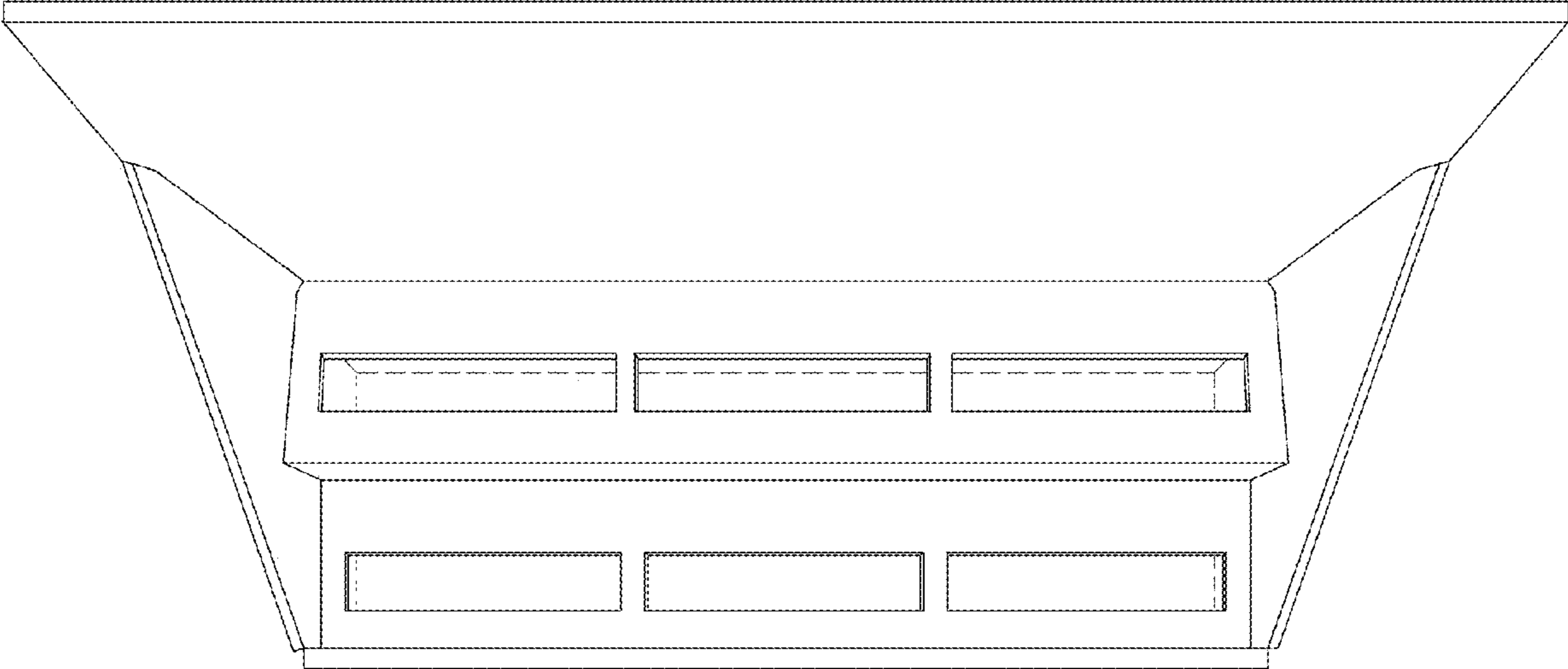


FIG. 5

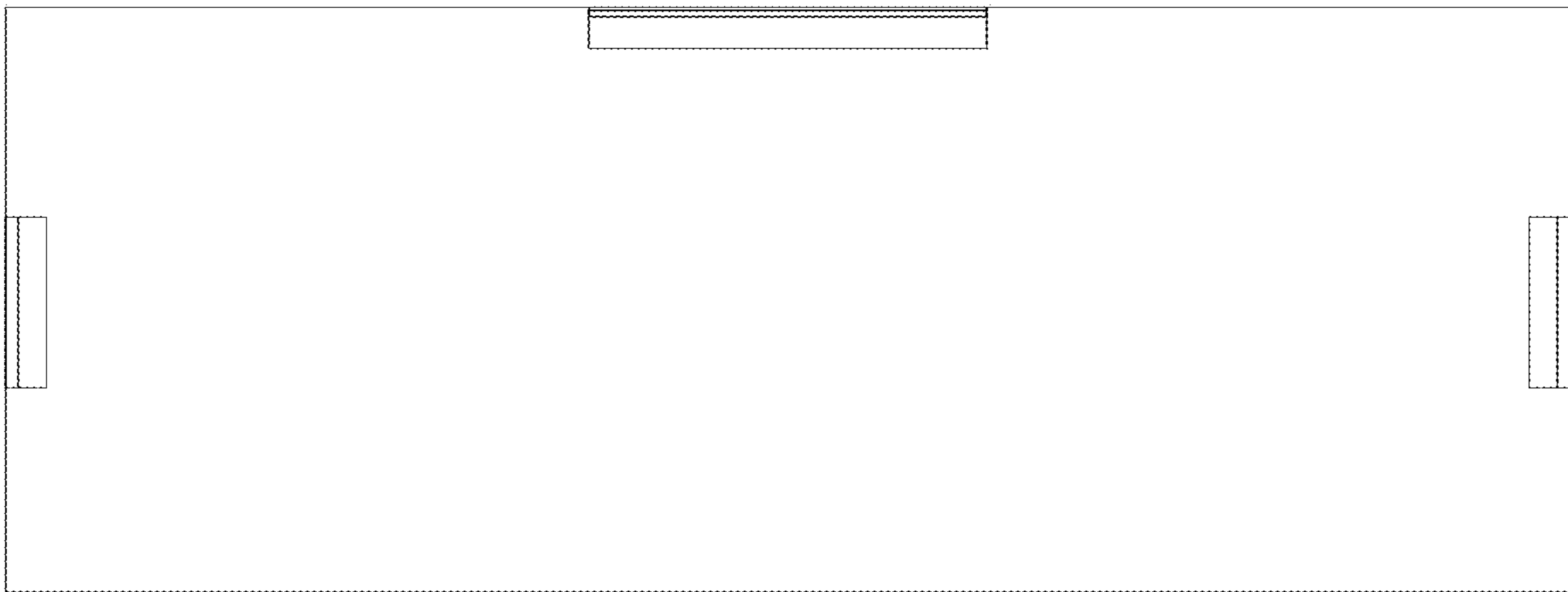


FIG. 6

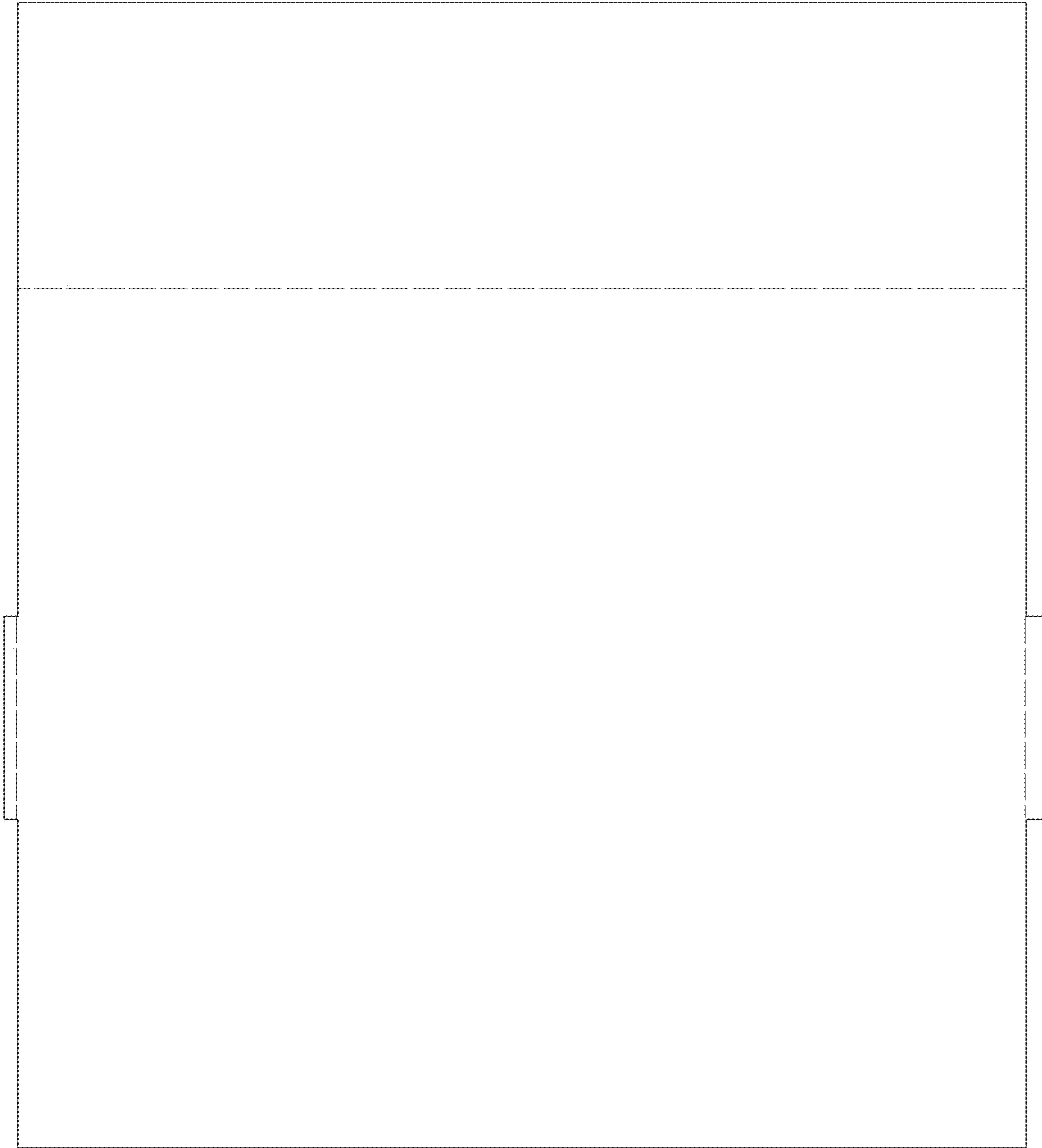


FIG. 7