



US00D880203S

(12) **United States Design Patent**  
**Fentress et al.**

(10) **Patent No.:** **US D880,203 S**  
(45) **Date of Patent:** **\*\* Apr. 7, 2020**

(54) **FURNITURE ARTICLE**  
(71) Applicant: **Julian Designs, LLC**, Denver, CO (US)  
(72) Inventors: **Julian Fentress**, Denver, CO (US);  
**Michael McCoy**, Buena Vista, CO (US)  
(73) Assignee: **JULIAN DESIGNS, LLC**, Denver, CO (US)  
(\*\*) Term: **15 Years**

*Primary Examiner* — Kelley A Donnelly  
(74) *Attorney, Agent, or Firm* — Sheridan Ross P.C.

(21) Appl. No.: **29/666,856**  
(22) Filed: **Oct. 16, 2018**  
(51) **LOC (12) Cl.** ..... **06-06**  
(52) **U.S. Cl.**  
USPC ..... **D6/675**  
(58) **Field of Classification Search**  
USPC ..... D6/672, 675, 675.1, 675.2, 675.3, 675.4,  
D6/675.5, 691, 691.1, 691.2, 708  
CPC . A47F 5/0043; A47F 7/00; A47F 9/00; A47B  
96/00; A47B 96/02; A47B 47/00; A47B  
13/02  
See application file for complete search history.

(57) **CLAIM**

The ornamental design for a furniture article, as shown and described.

**DESCRIPTION**

FIG. 1 is a top perspective view of the furniture article according to an embodiment;  
FIG. 2 is a bottom perspective view thereof;  
FIG. 3 is a front elevation view thereof;  
FIG. 4 is a rear elevation view thereof;  
FIG. 5 is a right side view thereof;  
FIG. 6 is a left side view thereof;  
FIG. 7 is a top plan view thereof;  
FIG. 8 is a bottom plan view thereof;  
FIG. 9 is a top perspective view of the furniture article according another embodiment;  
FIG. 10 is a bottom perspective view of the furniture article of FIG. 9;  
FIG. 11 is a front elevation view of the furniture article of FIG. 9;  
FIG. 12 is a rear elevation view of the furniture article of FIG. 9;  
FIG. 13 is a right side view of the furniture article of FIG. 9;  
FIG. 14 is a left side view of the furniture article of FIG. 9;  
FIG. 15 is a top plan view of the furniture article of FIG. 9;  
and,  
FIG. 16 is a bottom plan view of the furniture article of FIG. 9.  
The broken lines showing portions of a furniture article are included for the purpose of illustrating the environment and form no part of the claimed design.

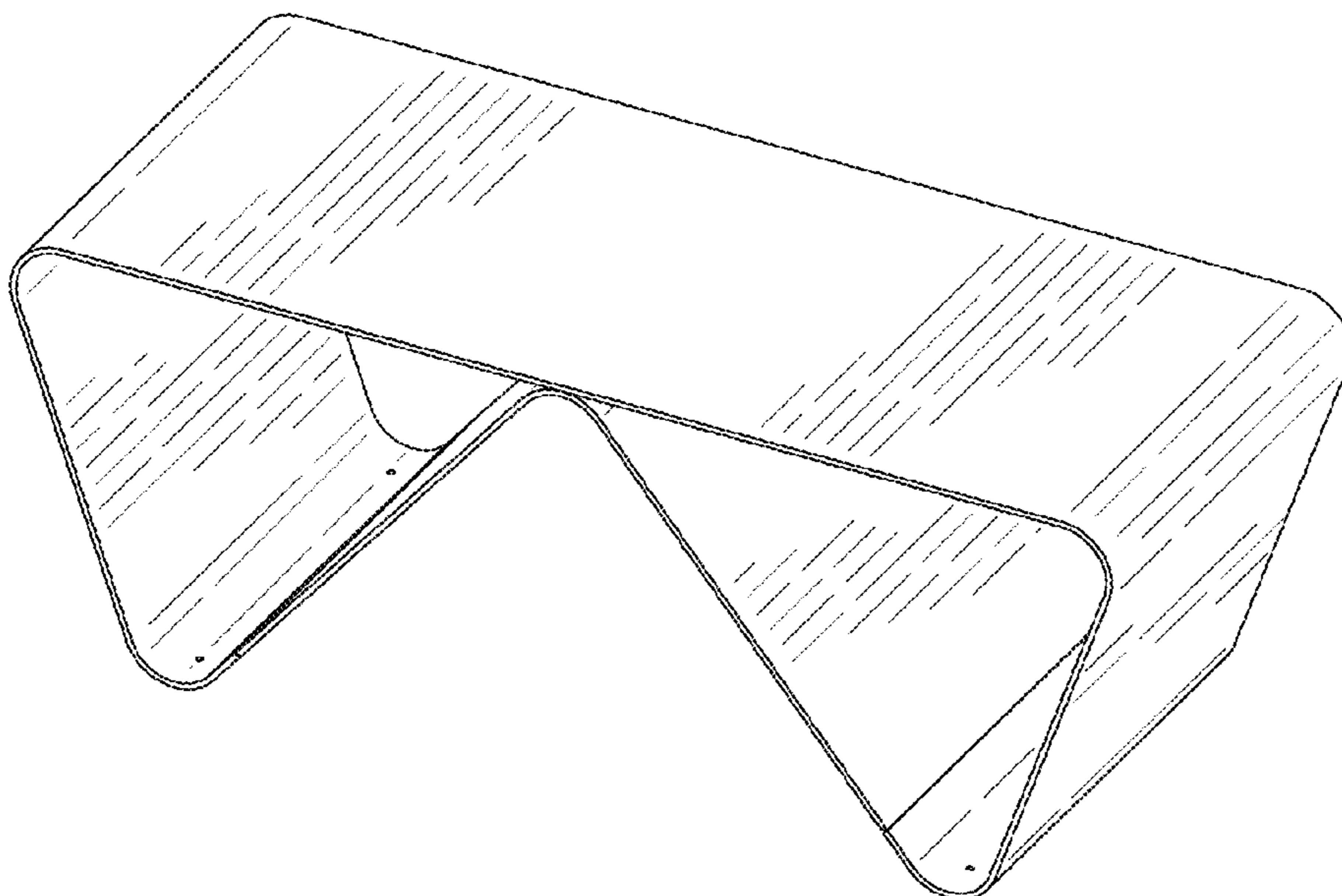
(56) **References Cited**

**U.S. PATENT DOCUMENTS**

D265,450 S *	7/1982	Berryman	.....	D6/691
D292,052 S *	9/1987	Lorio	.....	D6/691
D461,071 S *	8/2002	Diaz-Azcuy	.....	D6/708
D514,356 S *	2/2006	Ng	.....	D6/691
D557,944 S *	12/2007	Cheng	.....	D6/708
D626,359 S *	11/2010	Wills	.....	D6/690
D729,557 S *	5/2015	Jiang	.....	D6/691
D737,611 S *	9/2015	Sherman	.....	D6/693.3
D830,091 S *	10/2018	Zeitounian	.....	D6/708.17
D841,377 S *	2/2019	Jacoby	.....	D6/691.7
D845,683 S *	4/2019	Pedersen	.....	D6/675
D864,630 S *	10/2019	Sergeant	.....	D6/691
D866,228 S *	11/2019	Pedersen	.....	D6/675.1

\* cited by examiner

**1 Claim, 8 Drawing Sheets**



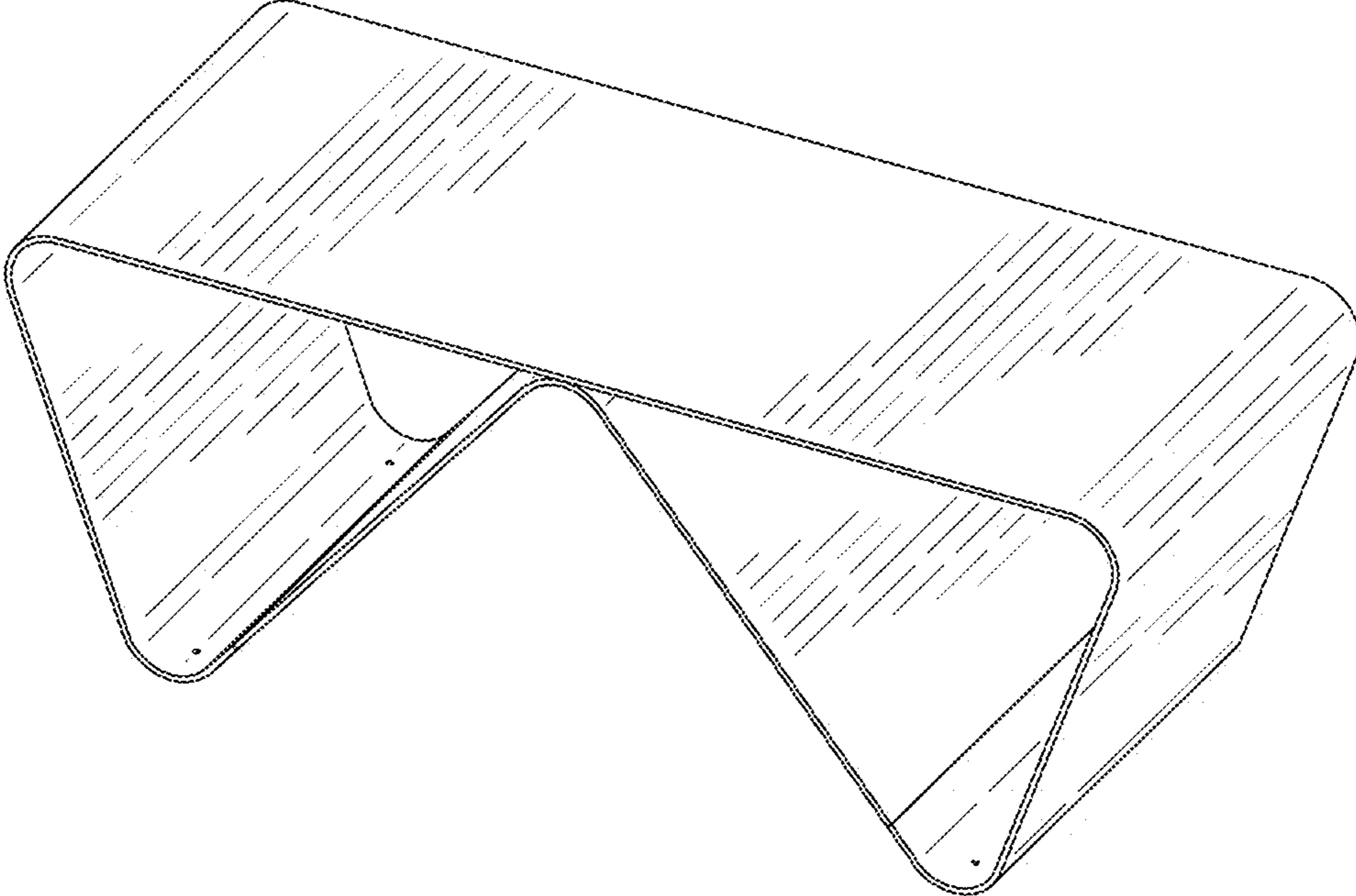


FIG. 1

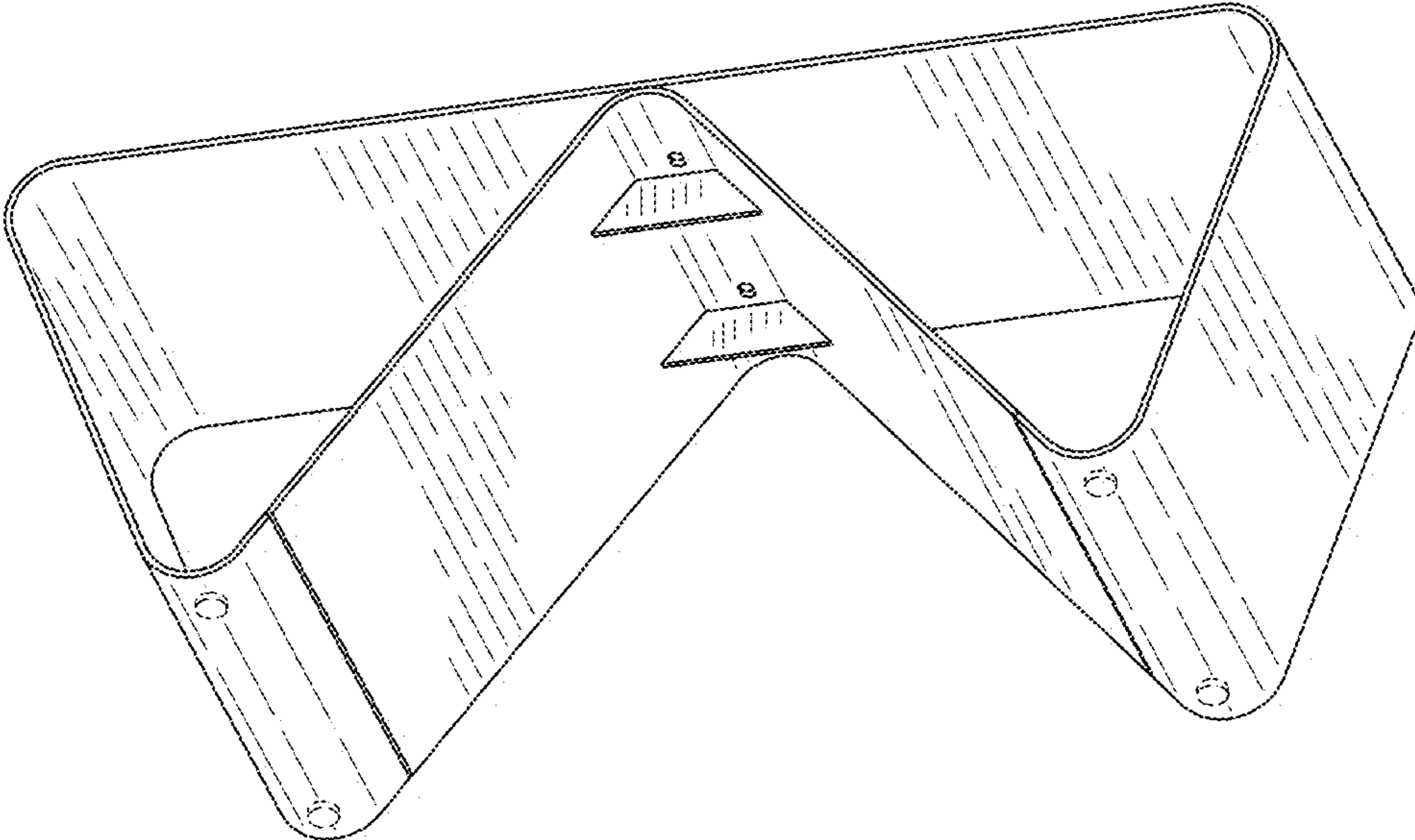


FIG. 2

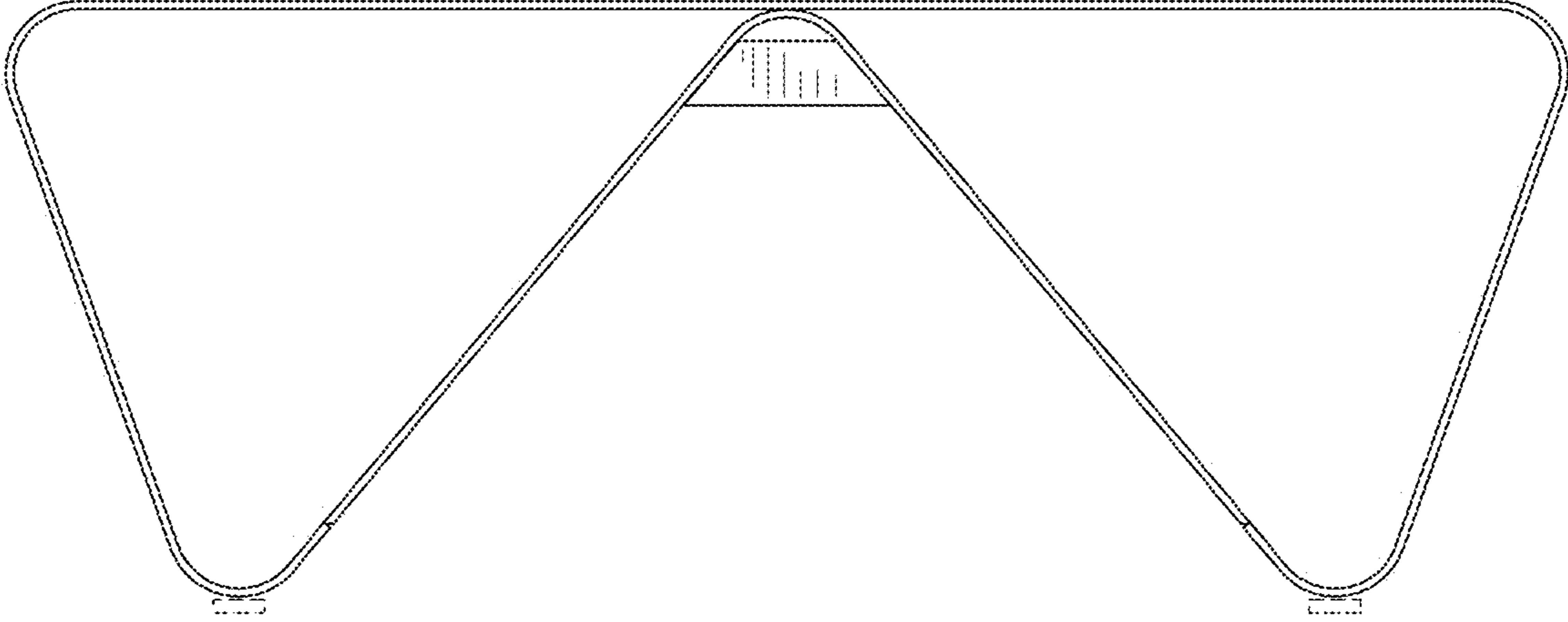


FIG.3

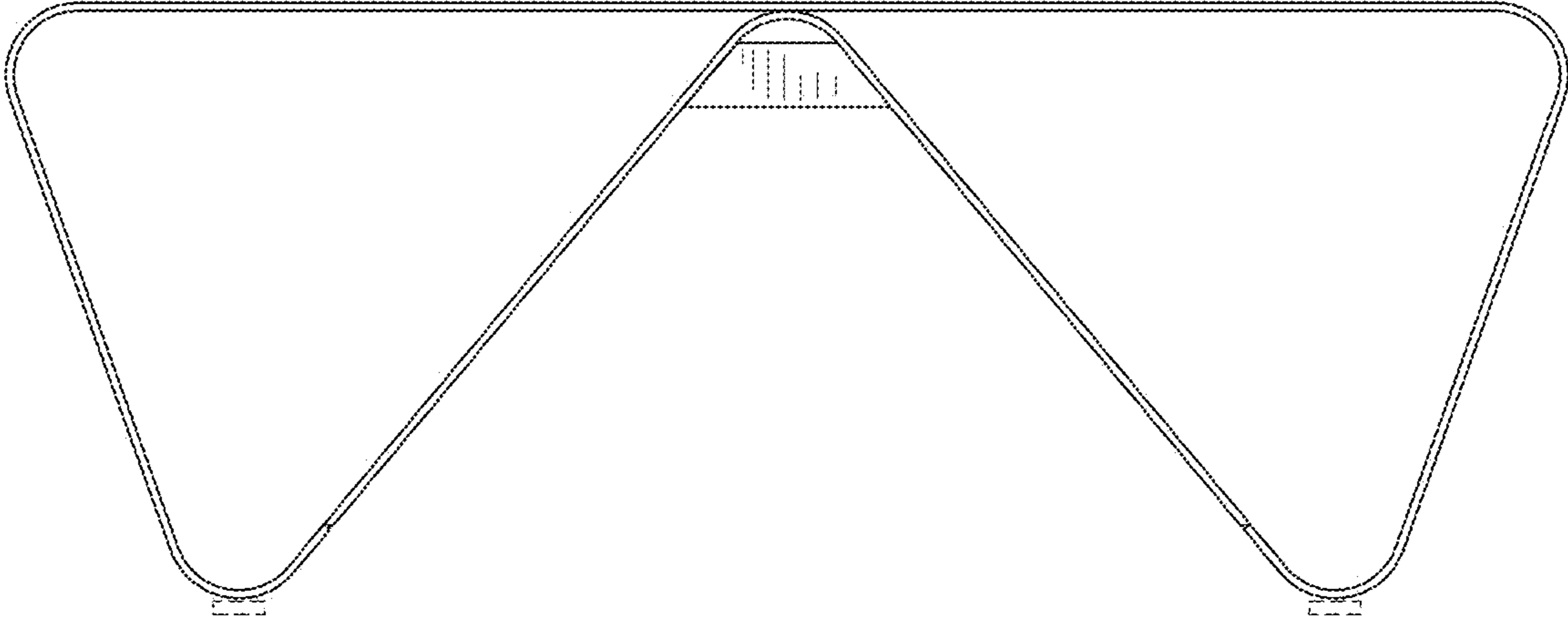


FIG.4

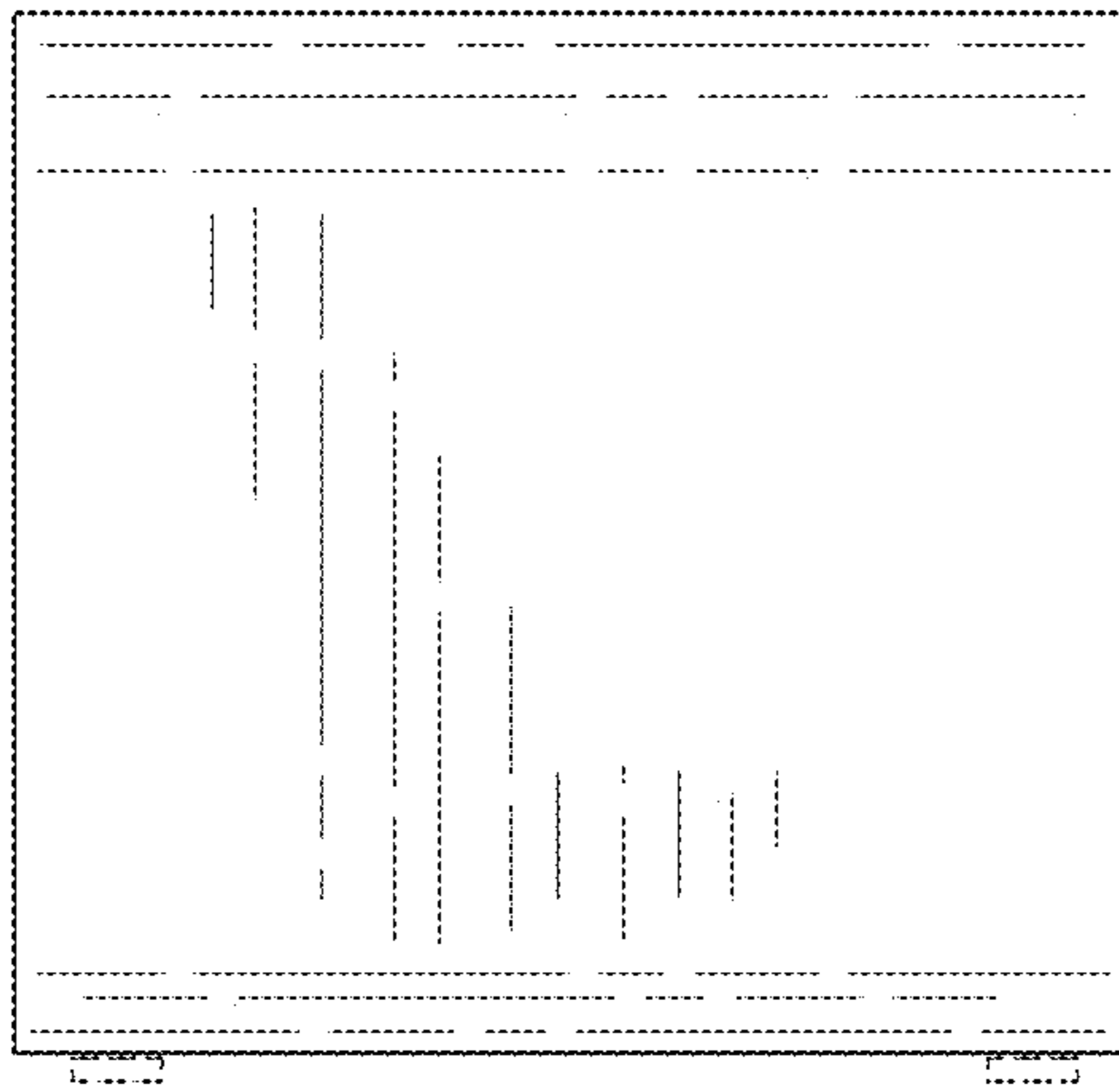


FIG. 5

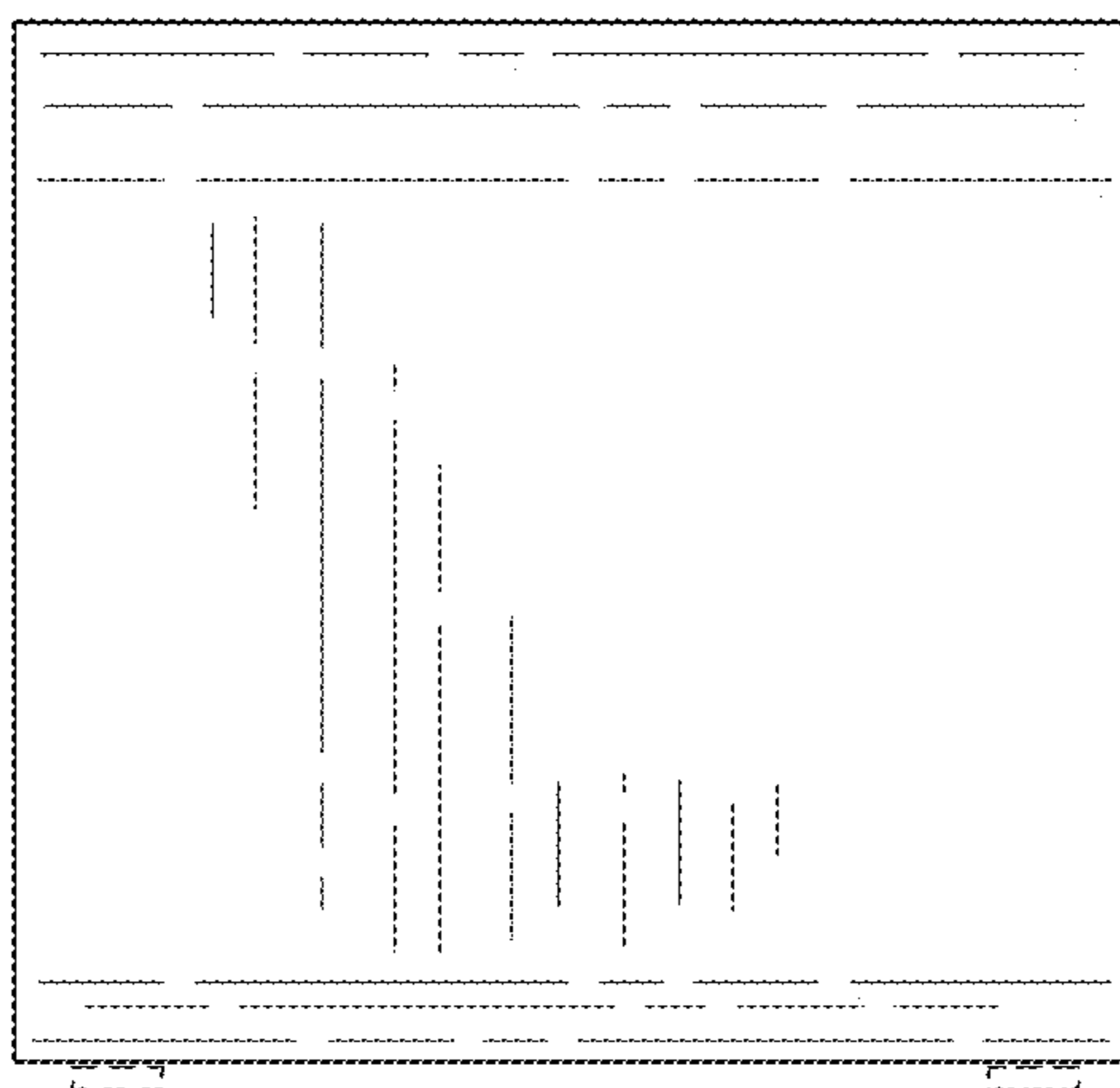


FIG. 6



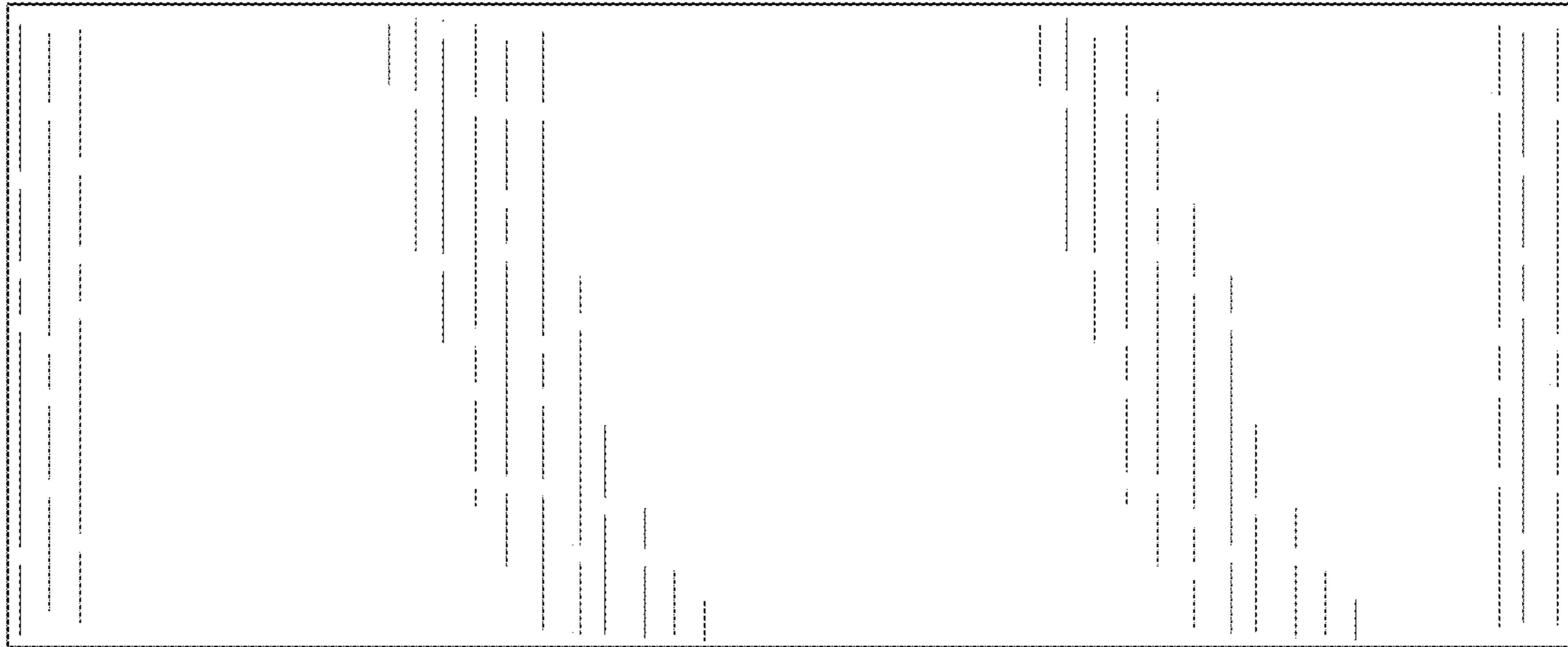


FIG. 7

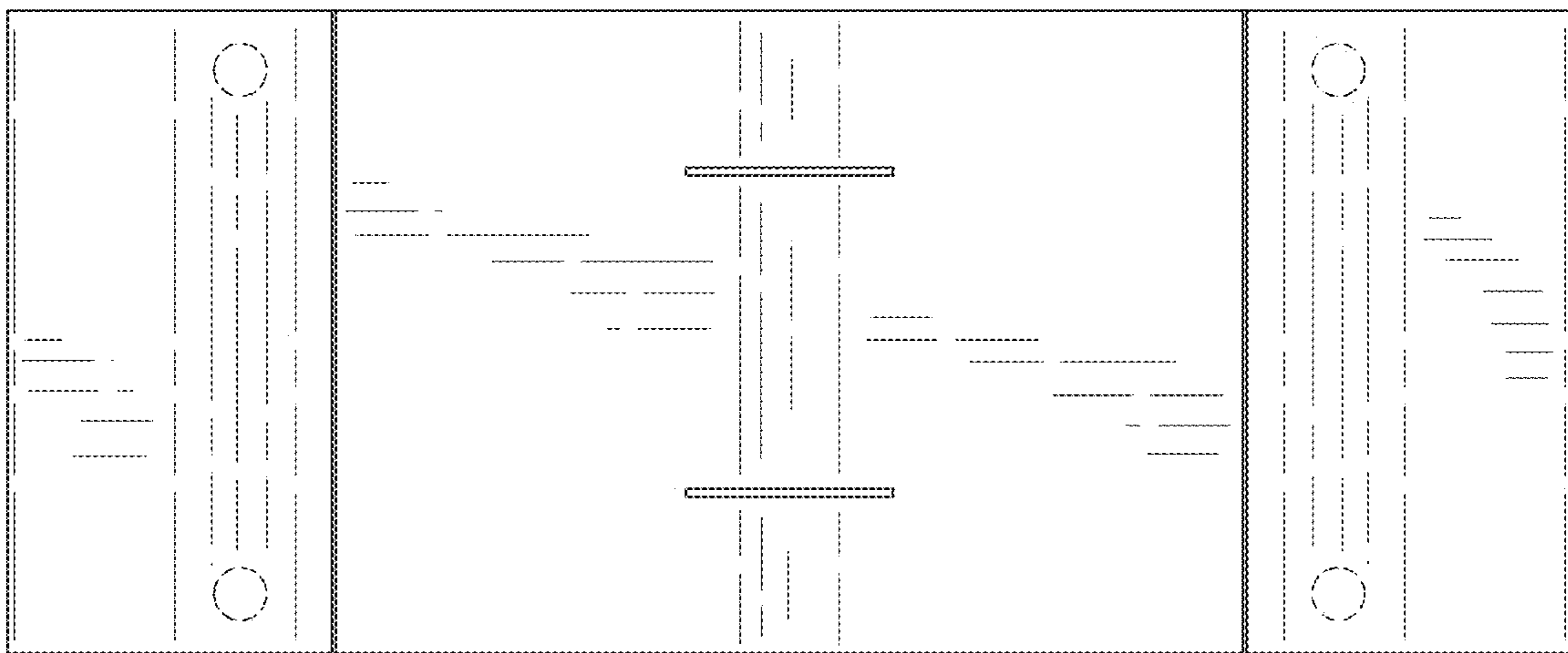


FIG. 8

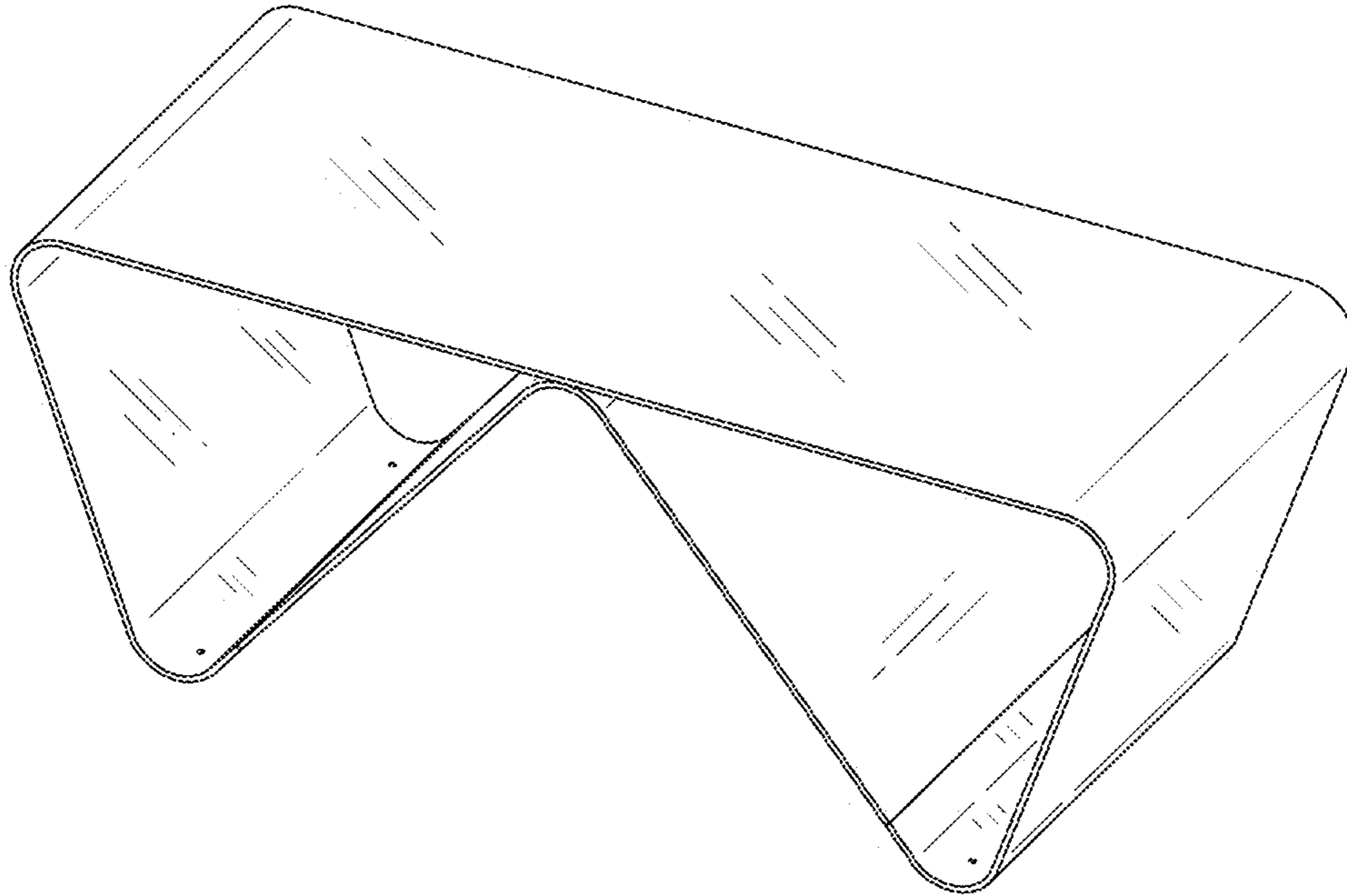


FIG. 9

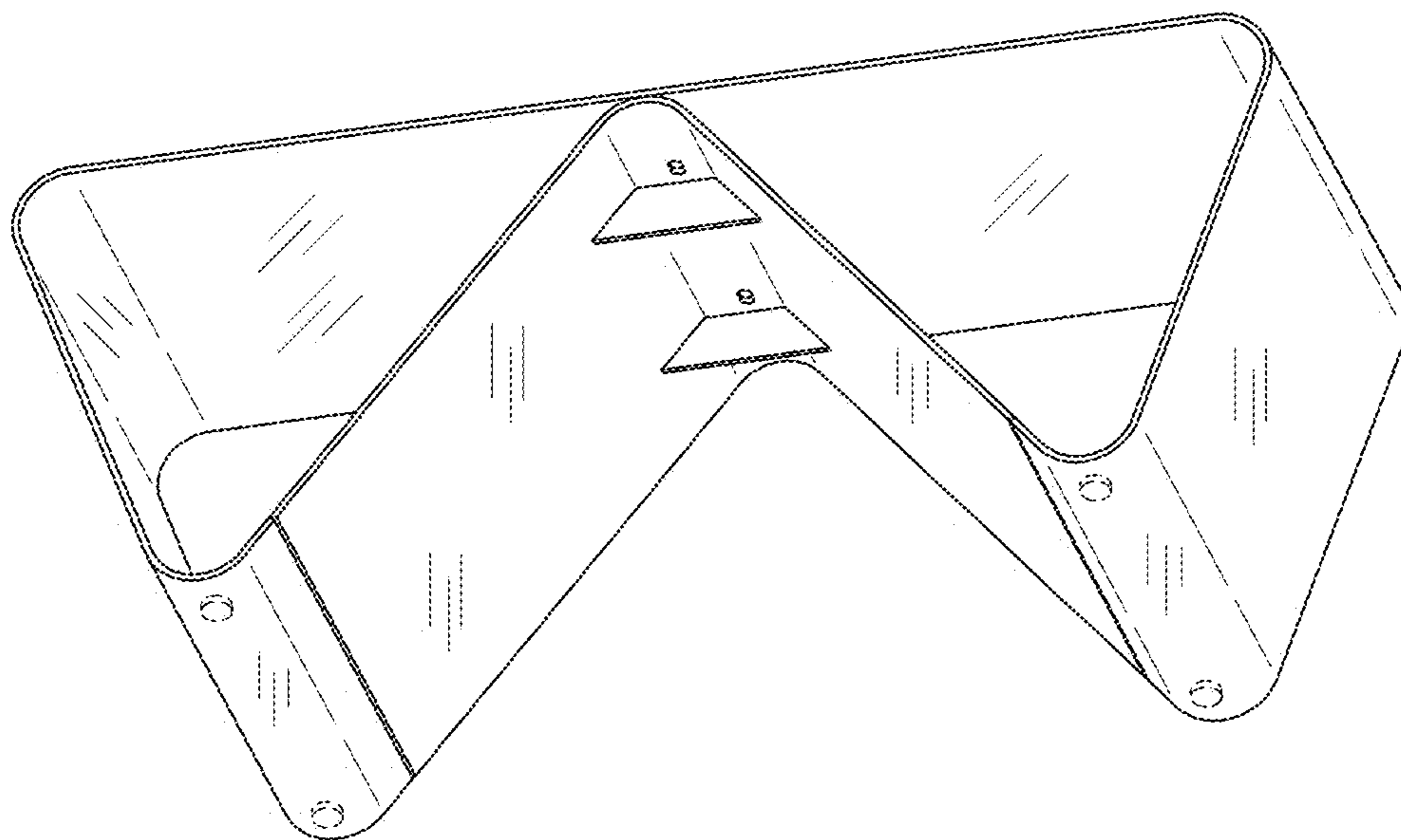


FIG. 10

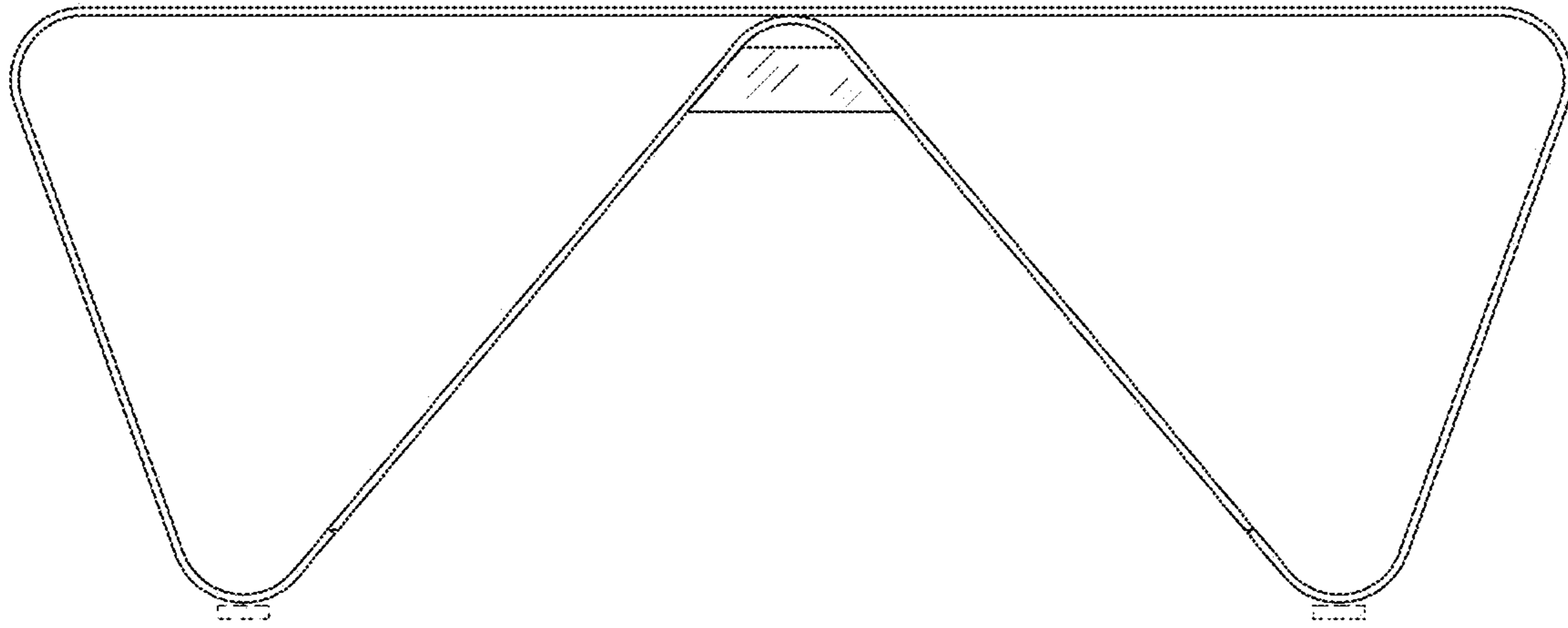


FIG.11

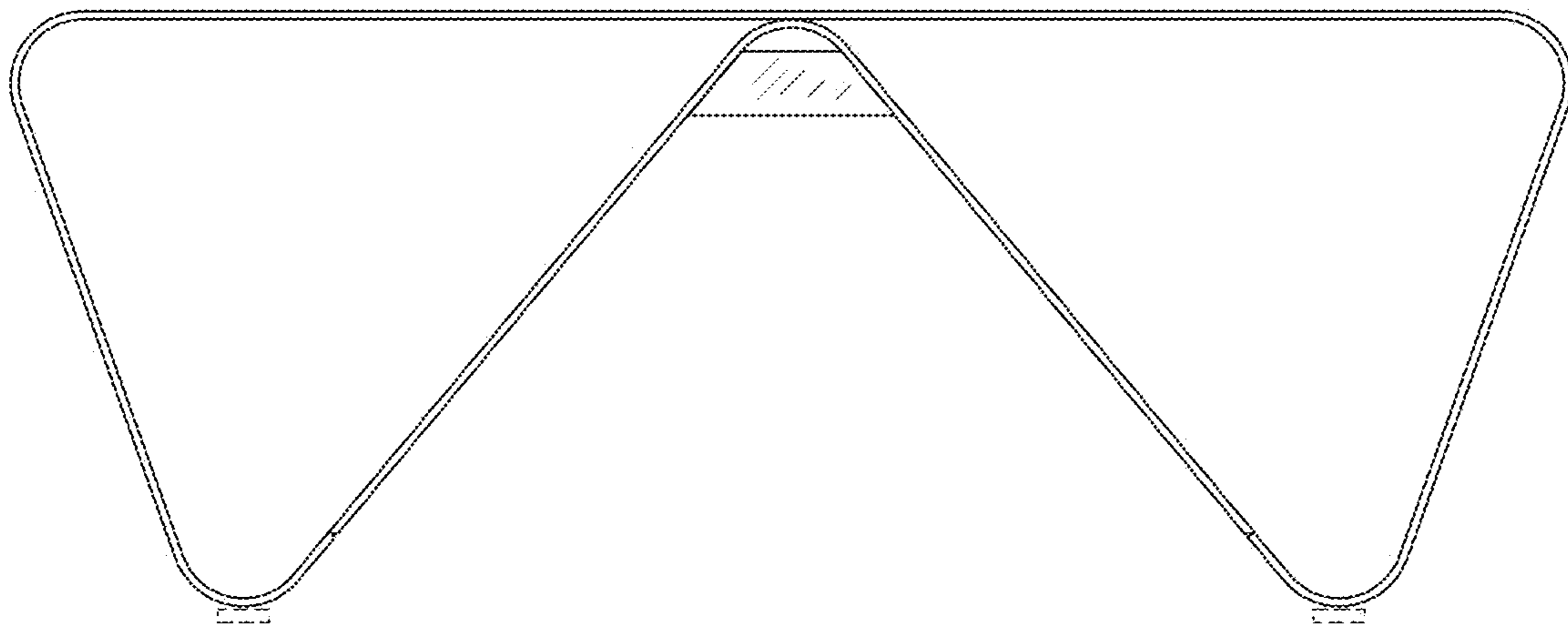


FIG.12

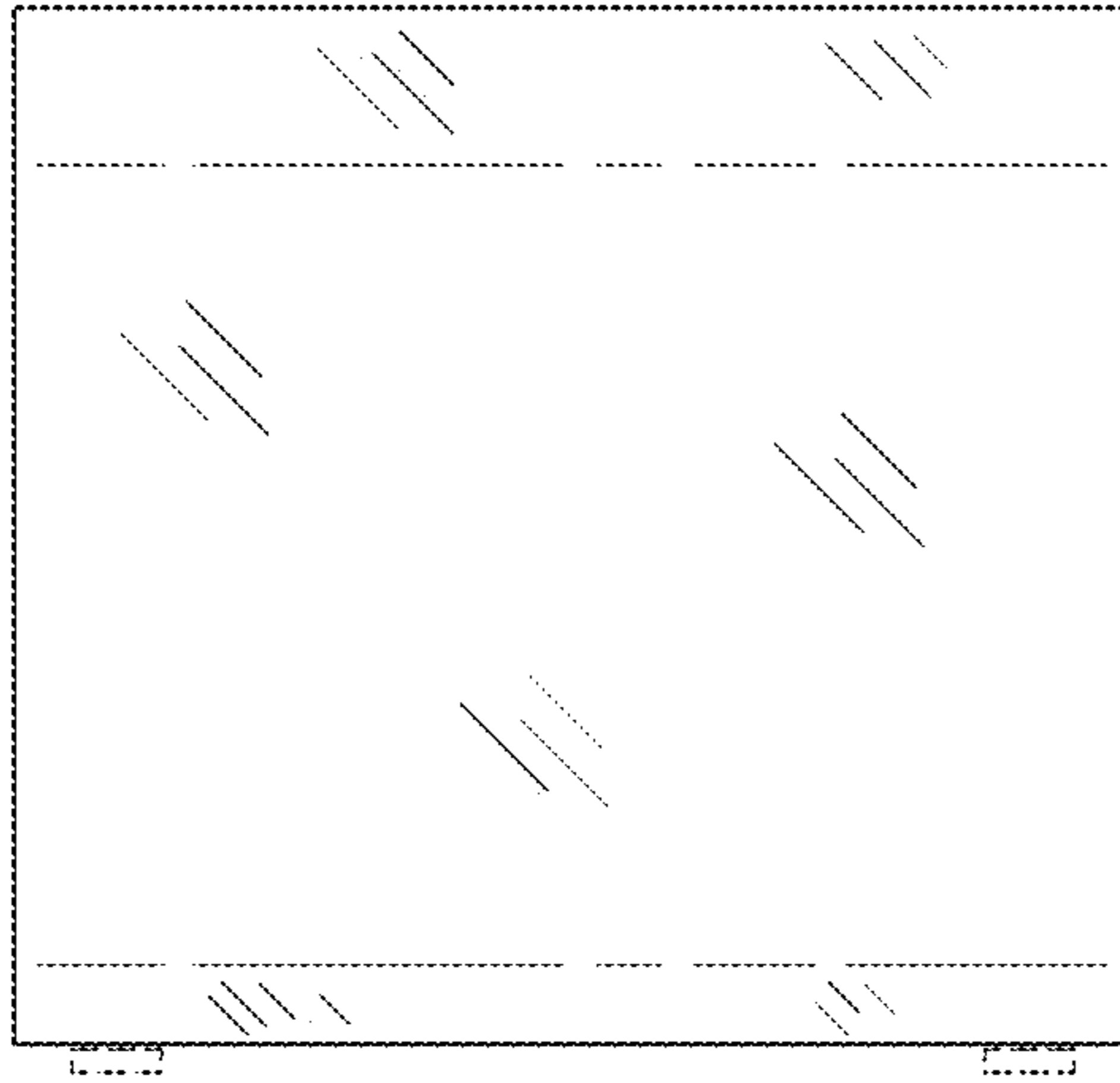


FIG.13

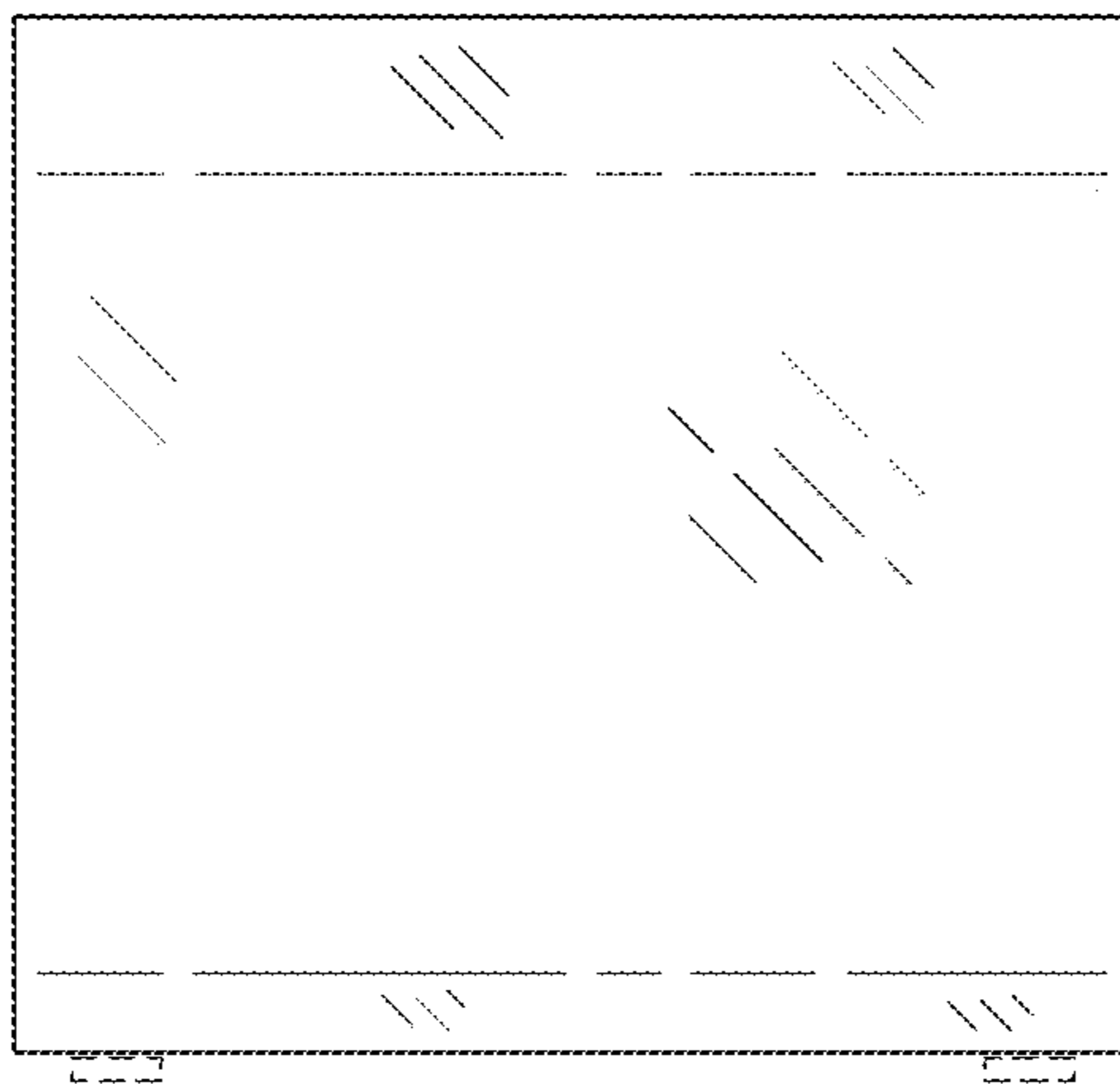


FIG.14



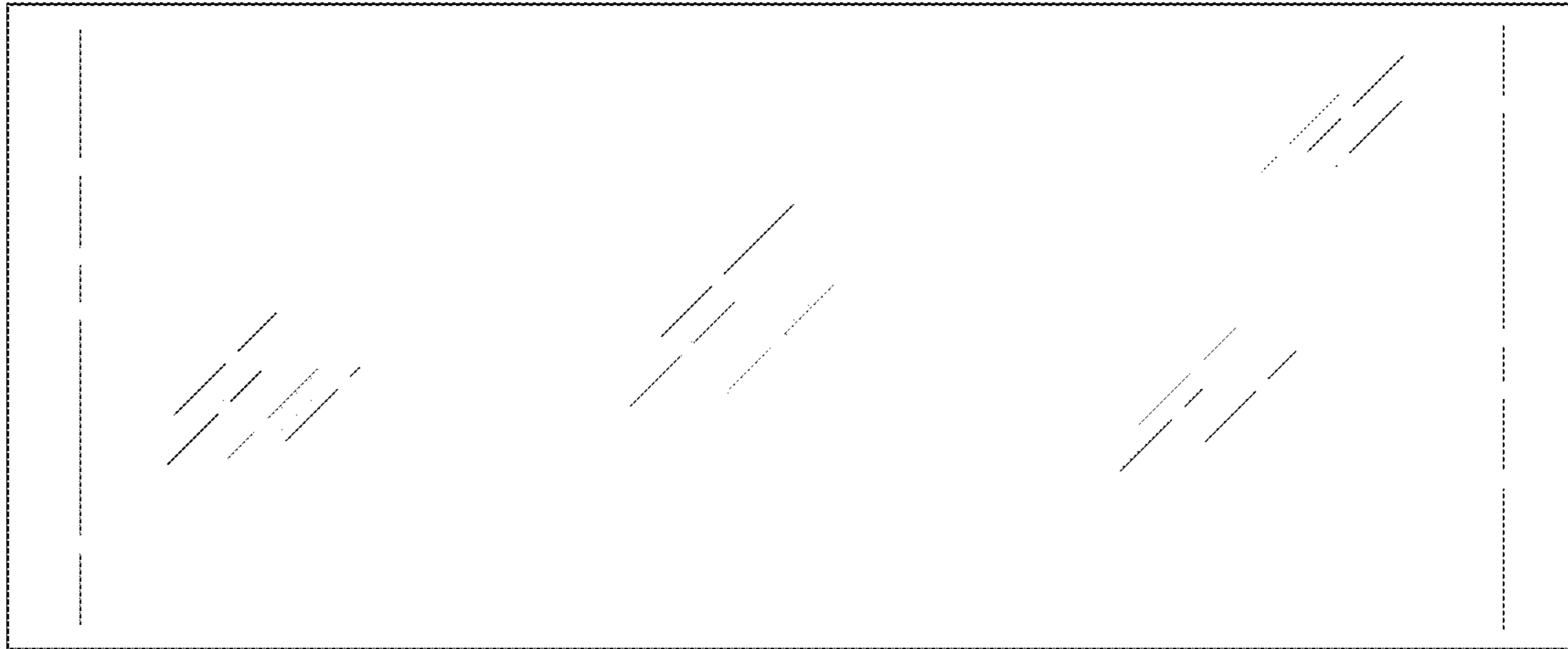


FIG. 15

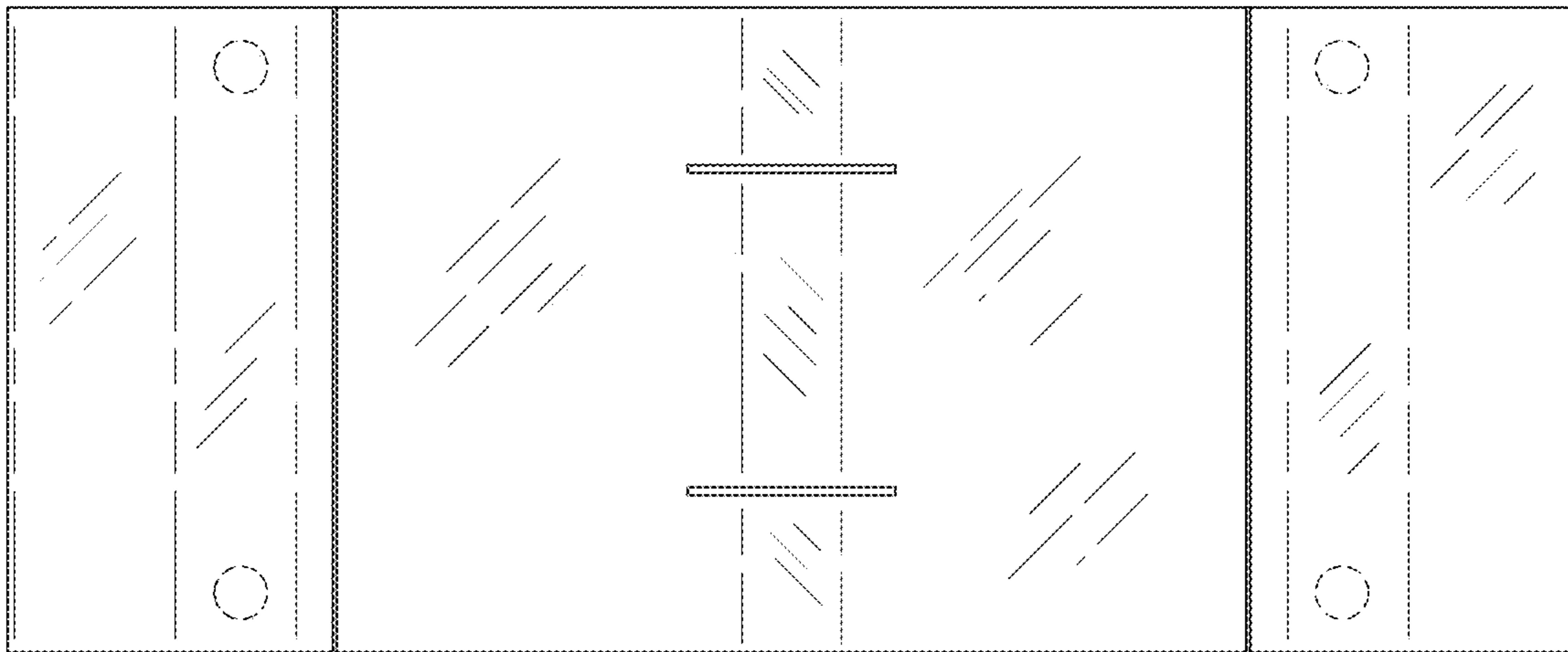


FIG. 16