



US00D880202S

(12) **United States Design Patent**
Caywood

(10) **Patent No.:** **US D880,202 S**

(45) **Date of Patent:** **** Apr. 7, 2020**

(54) **PORTABLE CLOSET ON WHEELS**

(56) **References Cited**

(71) Applicant: **GCX Corporation**, Petaluma, CA (US)

U.S. PATENT DOCUMENTS

(72) Inventor: **Ronald Jesse Caywood**, Rohnert Park, CA (US)

D86,878 S *	5/1932	Donher	D15/88
D518,310 S *	4/2006	Mehmen	D6/668.1
D520,264 S *	5/2006	Mehmen	D6/668.1
D536,202 S *	2/2007	Mehmen	D6/703.1
D559,010 S *	1/2008	Mehmen	D6/671.1
D567,537 S *	4/2008	Mehmen	D6/668.1
D642,400 S *	8/2011	Koehn	D6/668.1
D795,614 S *	8/2017	Thuma	D6/671.1

(73) Assignee: **GCX Corporation**, Petaluma, CA (US)

(**) Term: **15 Years**

* cited by examiner

(21) Appl. No.: **29/628,126**

(22) Filed: **Dec. 1, 2017**

Primary Examiner — Kevin K Rudzinski

Assistant Examiner — Paul D Bohannon

(51) **LOC (12) Cl.** **06-04**

(52) **U.S. Cl.**

(74) *Attorney, Agent, or Firm* — Perkins Coie LLP;
Michael Glenn

USPC **D6/668**

(58) **Field of Classification Search**

(57) **CLAIM**

USPC D6/671.1, 668, 668.1, 703.1; D15/88
CPC A47B 3/002; A47B 5/08; A47B 47/05;
A47B 67/02; A47B 77/02; A47B 81/00;
A47B 81/005; A47B 87/005; A47B
96/16; A47B 97/00; A47F 7/02; A47G
1/00; A47G 1/02; A47G 1/12; A47G
29/12; A45C 11/16; A45C 13/02; B42F
17/00; B60N 2/60; B60N 2/2881; B60N
2/6018; B60N 2/6036; E05B 53/001;
E05C 7/04; E05C 19/001; G09F 1/12;
H05K 9/0062

The ornamental design for a portable closet on wheels, as shown and described.

DESCRIPTION

FIG. 1 is a front right view of a portable closet on wheels;
FIG. 2 is a front view of a portable closet on wheels;
FIG. 3 is a side view of a portable closet on wheels;
FIG. 4 is a top view of a portable closet on wheels; and,
FIG. 5 is a rear left view of a portable closet on wheels.
The broken lines do not form part of the claimed design.

See application file for complete search history.

1 Claim, 5 Drawing Sheets

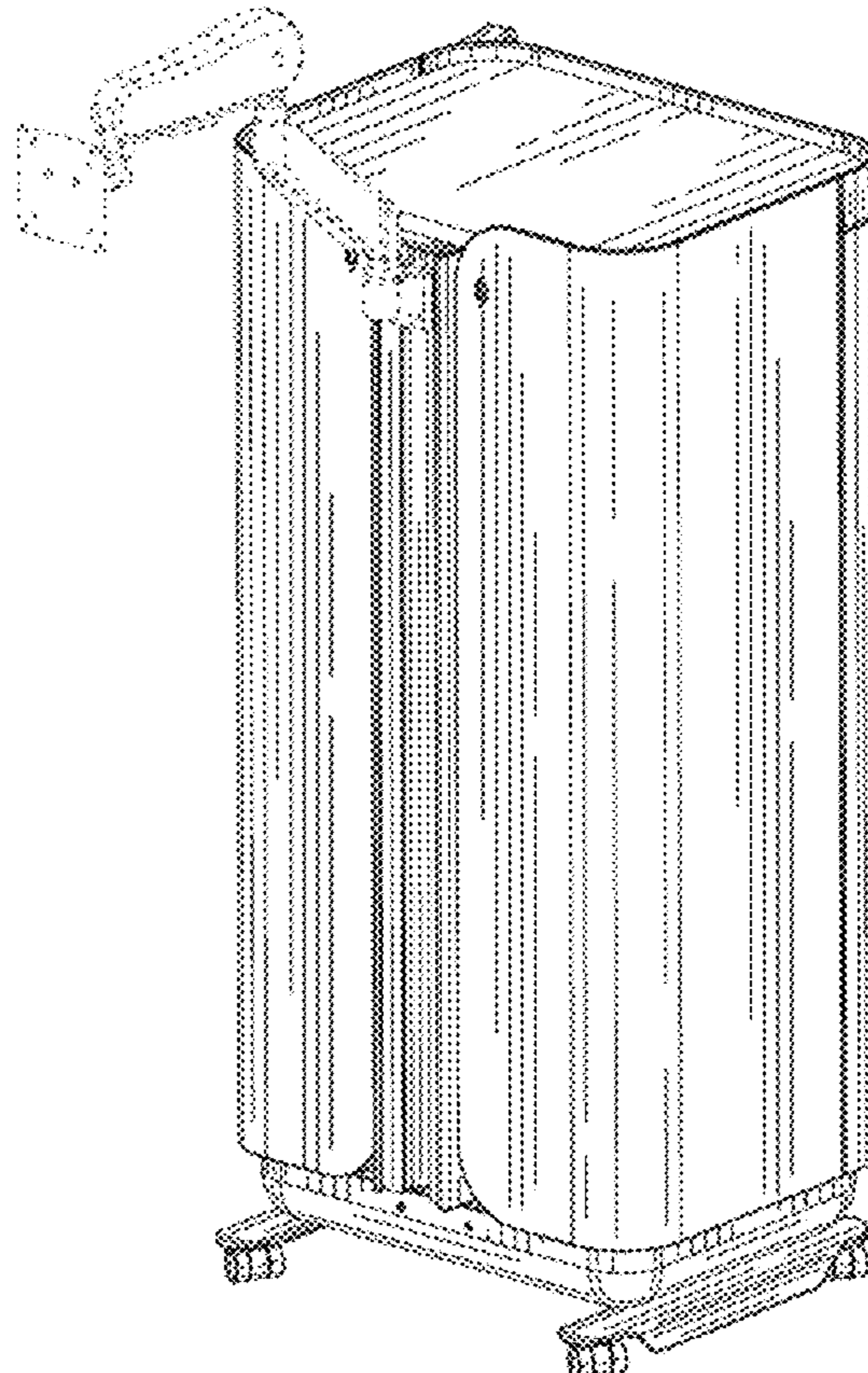




FIG. 1

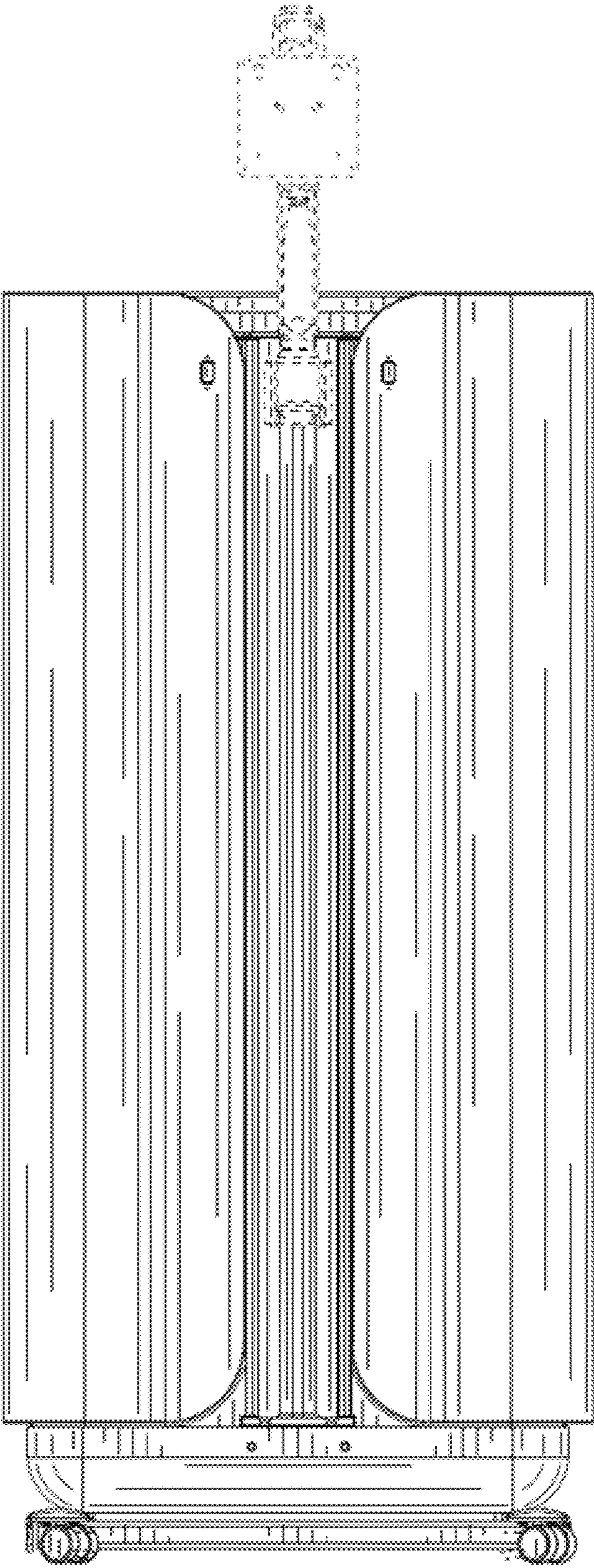


FIG. 2

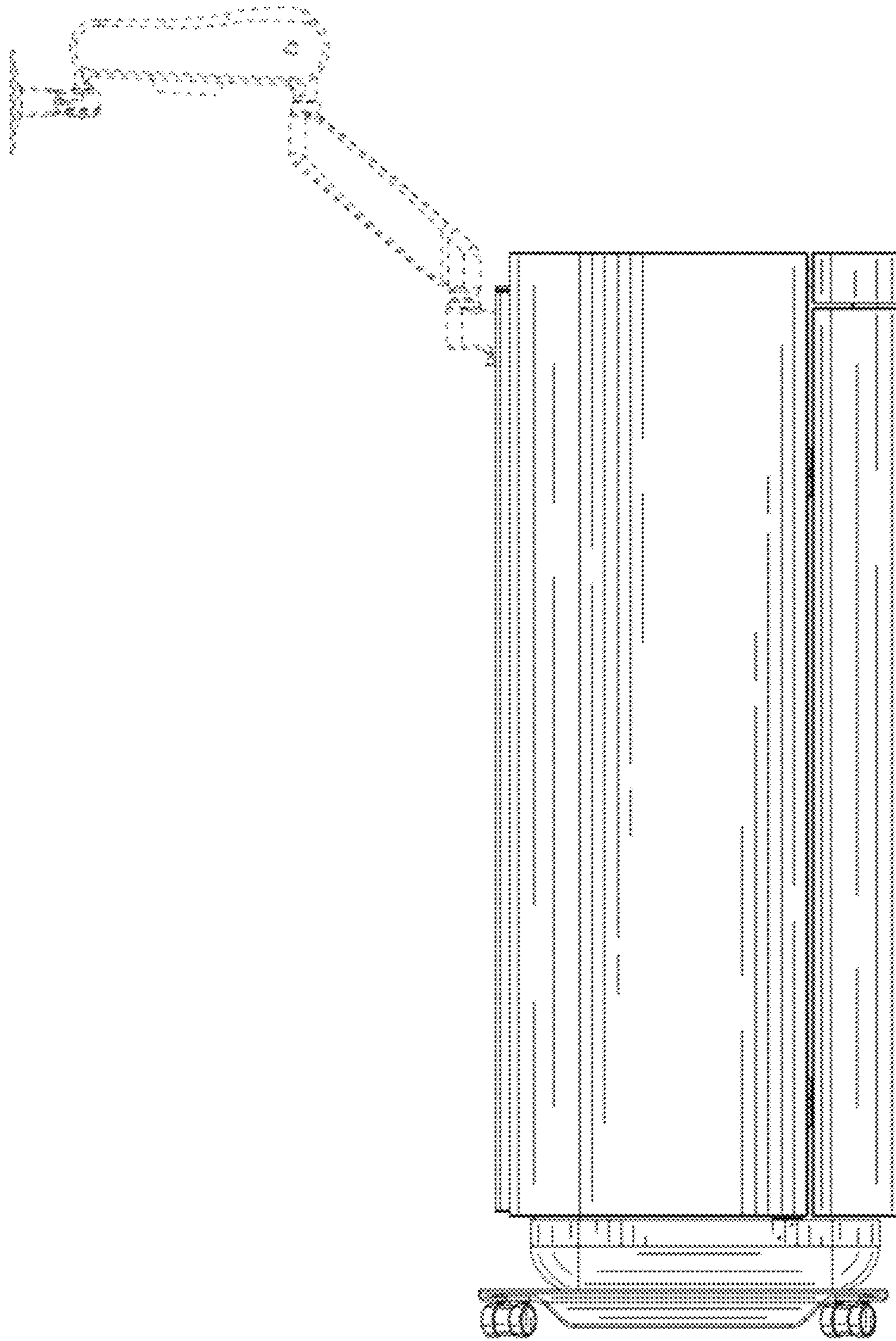


FIG. 3

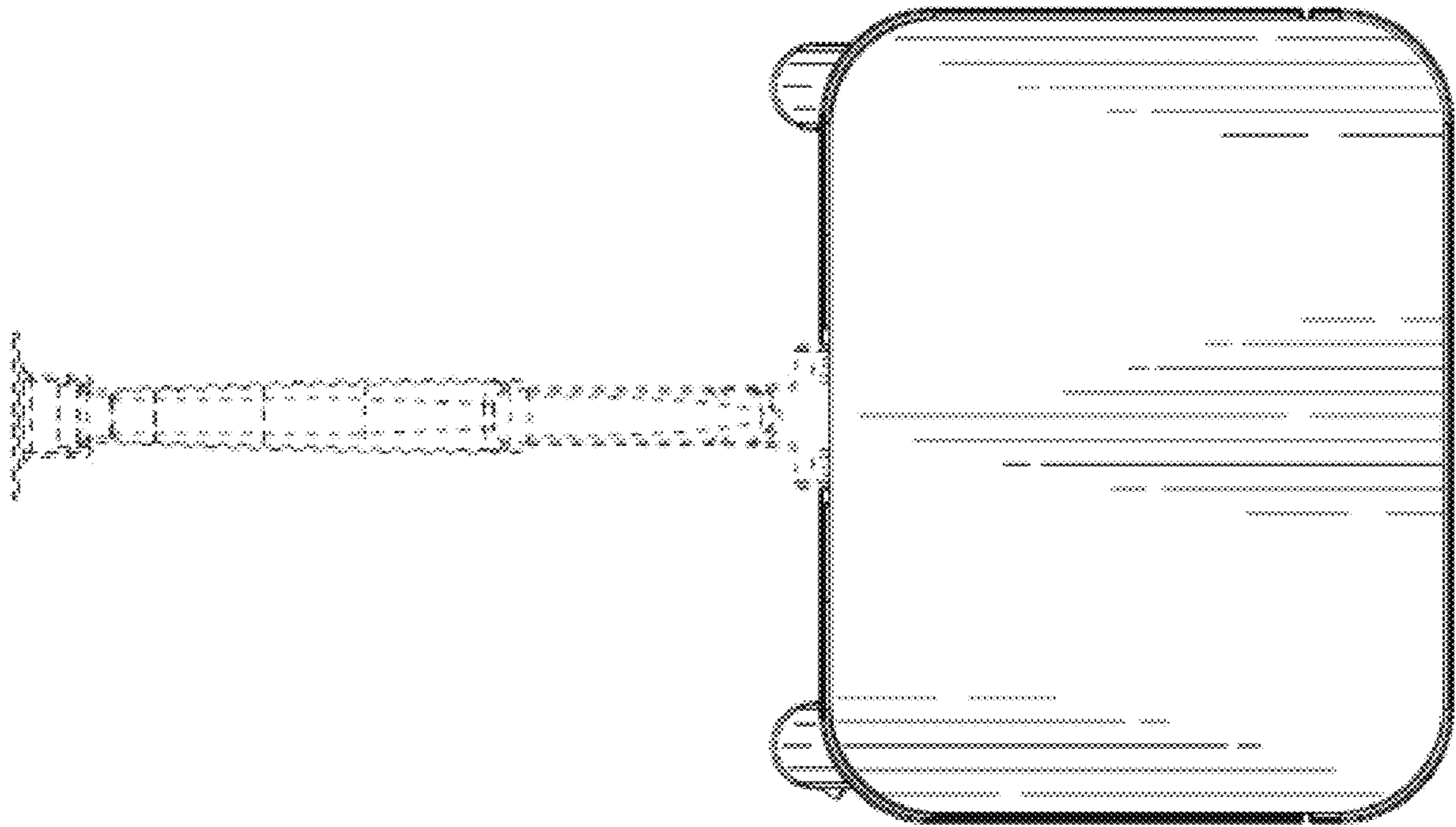


FIG. 4

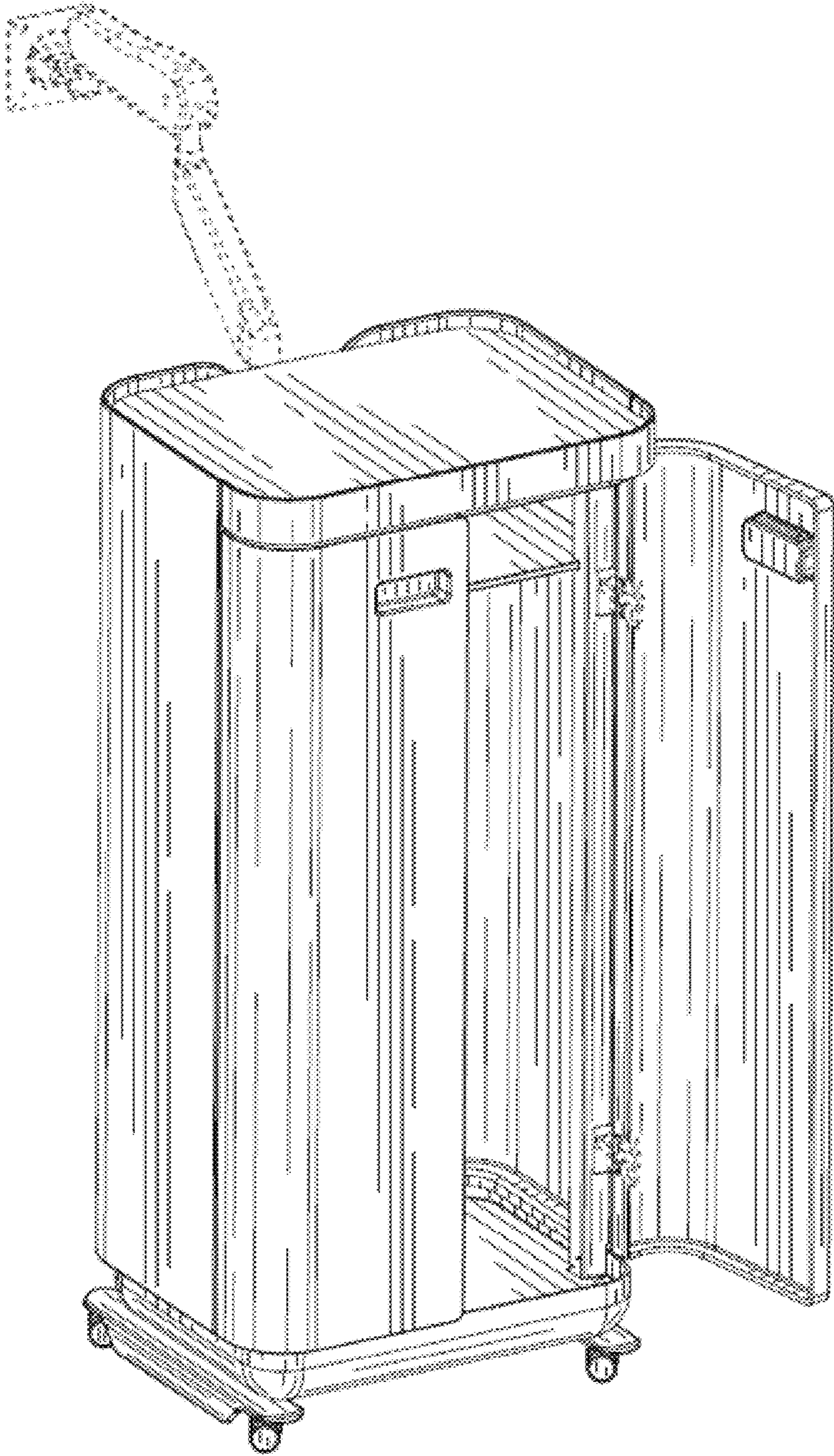


FIG. 5