



US00D880201S

(12) **United States Design Patent** (10) **Patent No.:** **US D880,201 S**  
**Kraemer** (45) **Date of Patent:** **\*\* Apr. 7, 2020**

(54) **DRESSER**

(56) **References Cited**

- (71) Applicant: **Ashley Furniture Industries, Inc.**,  
Arcadia, WI (US)
- (72) Inventor: **Angelena M. Kraemer**, Galesville, WI  
(US)
- (73) Assignee: **Ashley Furniture Industries, Inc.**,  
Arcadia, WI (US)
- (\*\*) Term: **15 Years**
- (21) Appl. No.: **29/650,279**
- (22) Filed: **Jun. 5, 2018**

U.S. PATENT DOCUMENTS

D282,573 S	2/1986	Pride et al.	
D560,932 S	2/2008	Draheim	
D632,902 S *	2/2011	Rafieha .....	D6/661
D718,076 S	11/2014	Medley et al.	
D817,040 S *	5/2018	Davis .....	D6/661
D817,667 S *	5/2018	Davis .....	D6/661
D819,372 S *	6/2018	Kraemer .....	D6/657
D834,355 S *	11/2018	Davis .....	D6/657

\* cited by examiner

*Primary Examiner* — Mimosa De

(74) *Attorney, Agent, or Firm* — McAndrews, Held & Malloy, Ltd.

(57) **CLAIM**

The ornamental design for a dresser, as shown and described.

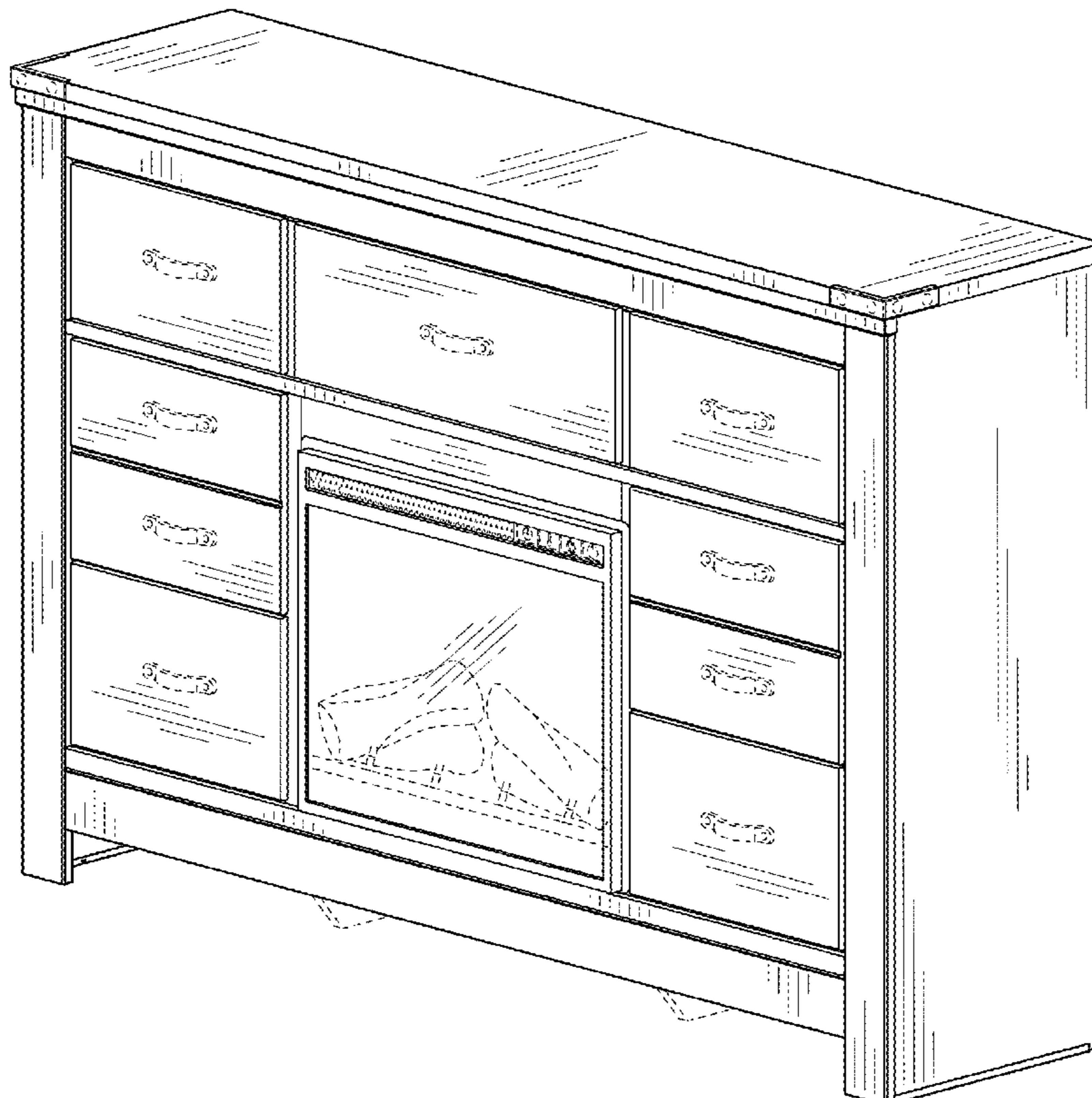
**DESCRIPTION**

FIG. 1 is a front perspective view of a dresser showing my new design;  
 FIG. 2 is a front elevation view thereof;  
 FIG. 3 is a right side elevation view thereof; the left side elevation view being a mirror image thereof; and,  
 FIG. 4 is a top plan view thereof.  
 The broken lines in the figures illustrate portions of the dresser that form no part of the claimed design. Views of the dresser not shown in the figures form no part of the claimed design.

**1 Claim, 3 Drawing Sheets**

**Related U.S. Application Data**

- (62) Division of application No. 29/551,783, filed on Jan. 15, 2016, now Pat. No. Des. 819,372.
- (51) **LOC (12) Cl.** ..... **06-04**
- (52) **U.S. Cl.**  
USPC ..... **D6/661**
- (58) **Field of Classification Search**  
USPC ..... D6/657, 663, 664.1, 671, 671.1, 671.2,  
D6/671.3, 671.4, 660, 661  
CPC ..... A47B 17/04; A47B 67/00; A47B 67/005;  
A47B 67/04; A47B 88/00; A47B 88/40  
See application file for complete search history.



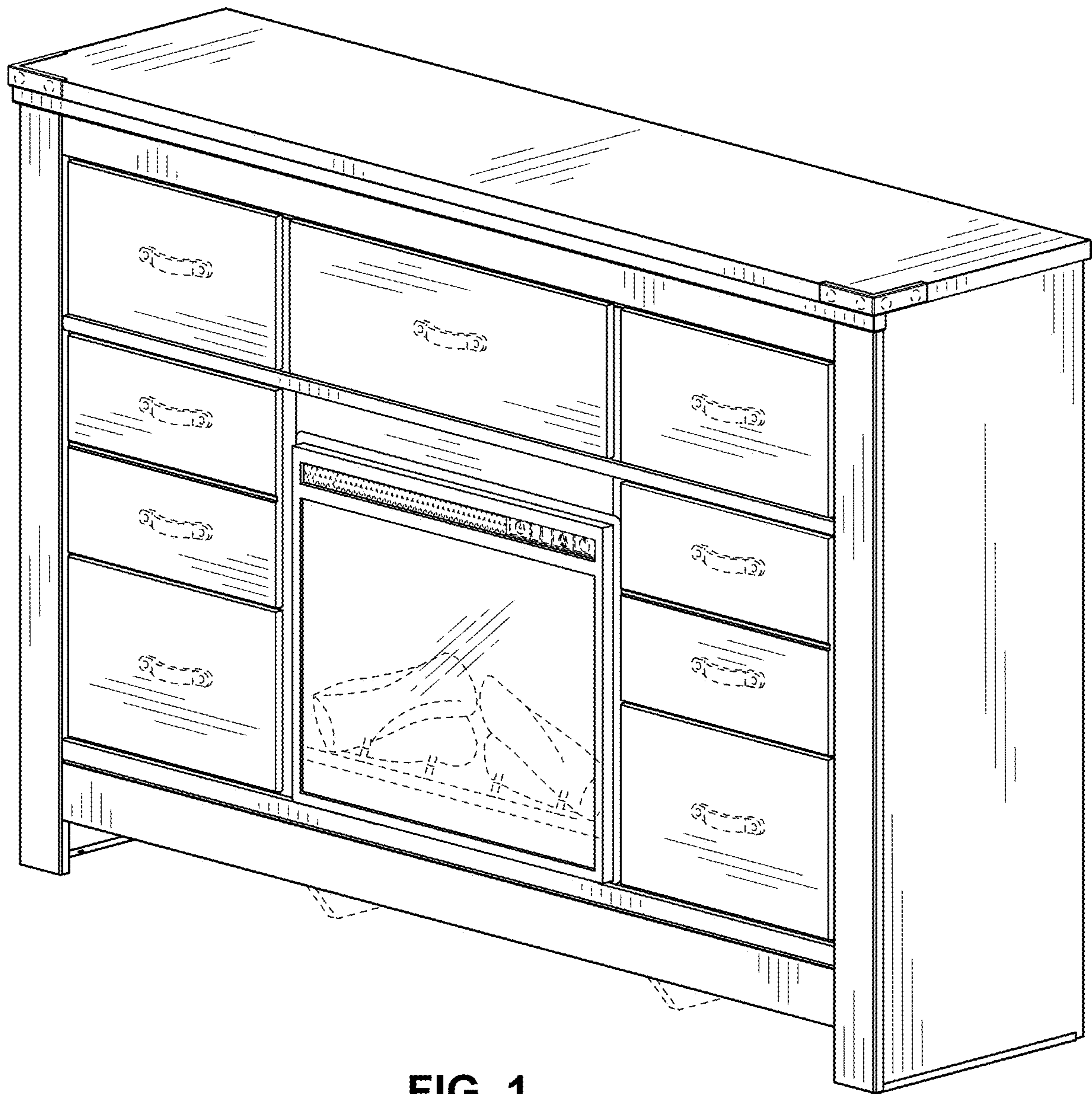


FIG. 1

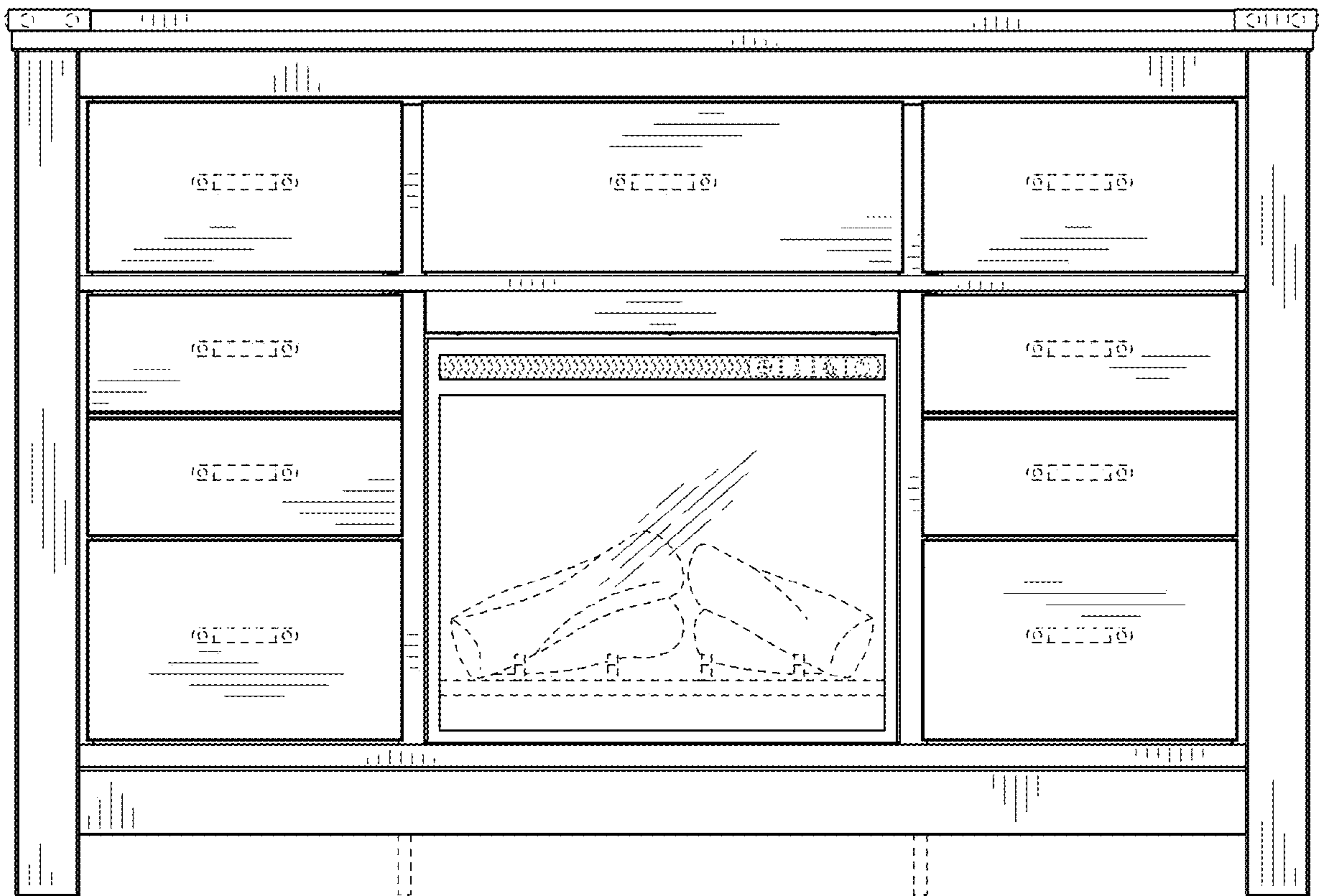


FIG. 2

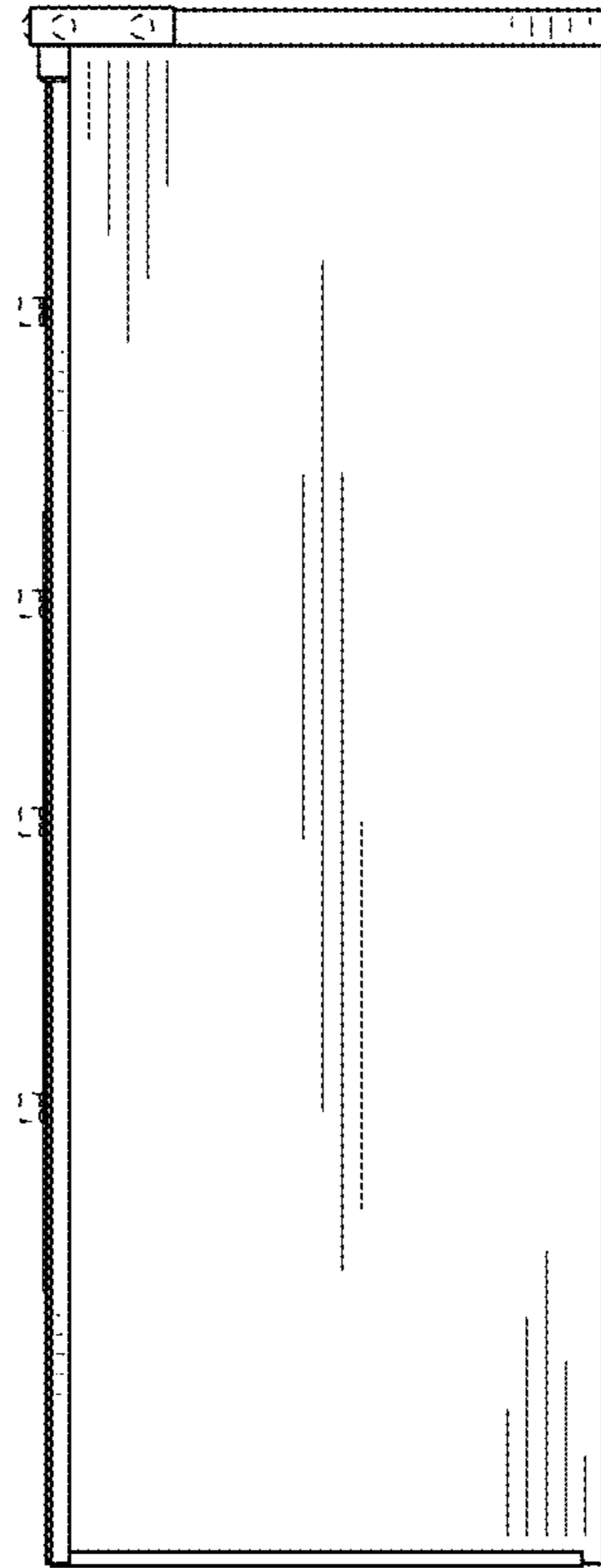


FIG. 3

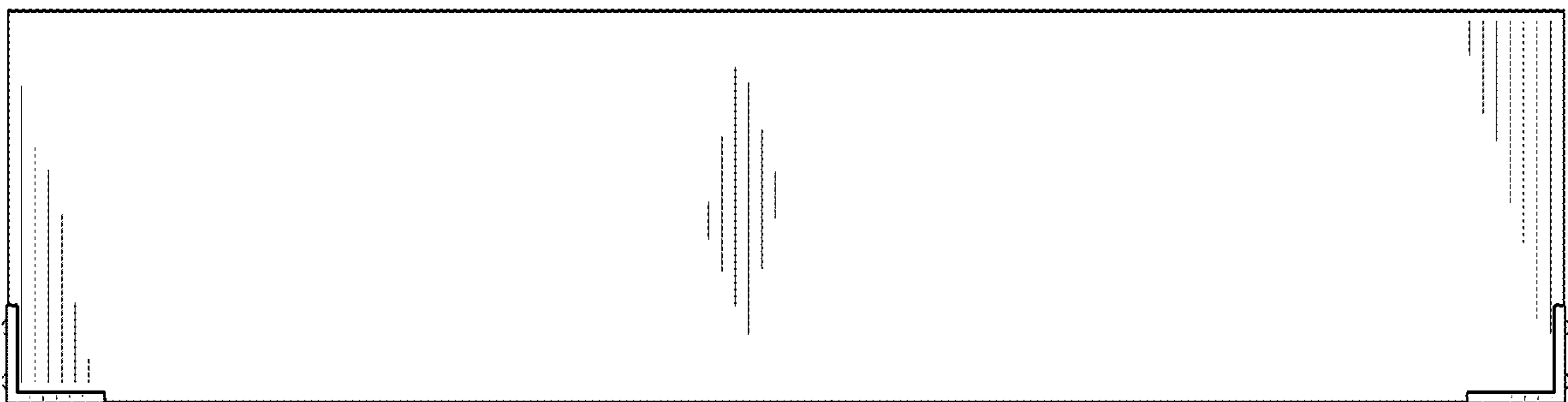


FIG. 4