



US00D880200S

(12) **United States Design Patent**
Sokol et al.

(10) **Patent No.:** **US D880,200 S**
(45) **Date of Patent:** **** Apr. 7, 2020**

(54) **TABLE**

(71) Applicant: **Seville Classics Inc.**, Torrance, CA (US)

(72) Inventors: **James Sokol**, Brea, CA (US); **Martin Avila**, Santa Clarita, CA (US); **Mark Bevan**, Pasadena, CA (US); **Albert Hsu**, Monterey Park, CA (US)

(73) Assignee: **Seville Classics Inc.**, Torrance, CA (US)

(**) Term: **15 Years**

(21) Appl. No.: **29/648,828**

(22) Filed: **May 24, 2018**

(51) **LOC (12) Cl.** **06-03**

(52) **U.S. Cl.**
USPC **D6/656.17**

(58) **Field of Classification Search**

USPC D6/641, 642, 656, 656.13-17, 656.19, D6/685, 686, 691, 691.1-691.9
CPC A47B 7/00; A47B 9/00; A47B 9/20; A47B 13/00; A47B 13/003; A47B 13/02; A47B 13/04; A47B 13/06; A47B 13/08; A47B 13/10; A47B 17/00; A47B 21/00; A47B 21/20; A47B 2200/0001; A47B 2200/0011; A47B 2200/002; A47B 2200/0029; A47B 2200/0035; A47B 2200/0051

See application file for complete search history.

(56) **References Cited**

U.S. PATENT DOCUMENTS

D644,044 S * 8/2011 Kitajima A47B 9/20 D6/656.17
D776,961 S * 1/2017 Yamamoto D6/656.16
D784,049 S * 4/2017 Labrosse A47B 9/20 D6/650

D862,129 S * 10/2019 Hu D6/656.17
2013/0199421 A1 * 8/2013 Hjelm A47B 21/06 108/50.11
2018/0103753 A1 * 4/2018 Davidsen A47B 1/08
(Continued)

OTHER PUBLICATIONS

Seville Classics AIRLIFT® Tempered Glass Electric Standing Desk—Walmart.com <https://www.walmart.com/ip/Seville-Classics-AIRLIFT-Tempered-Glass-Electric-Standing-Desk-Dual-2-4A-USB-Charging-Port-3-Memory-Buttons-Height-Display-Max-Height-47-3-Section-Ba/614344587> retrieved from the internet on Nov. 26, 2019.*

(Continued)

Primary Examiner — Mary Ann Calabrese
(74) *Attorney, Agent, or Firm* — Raymond Sun

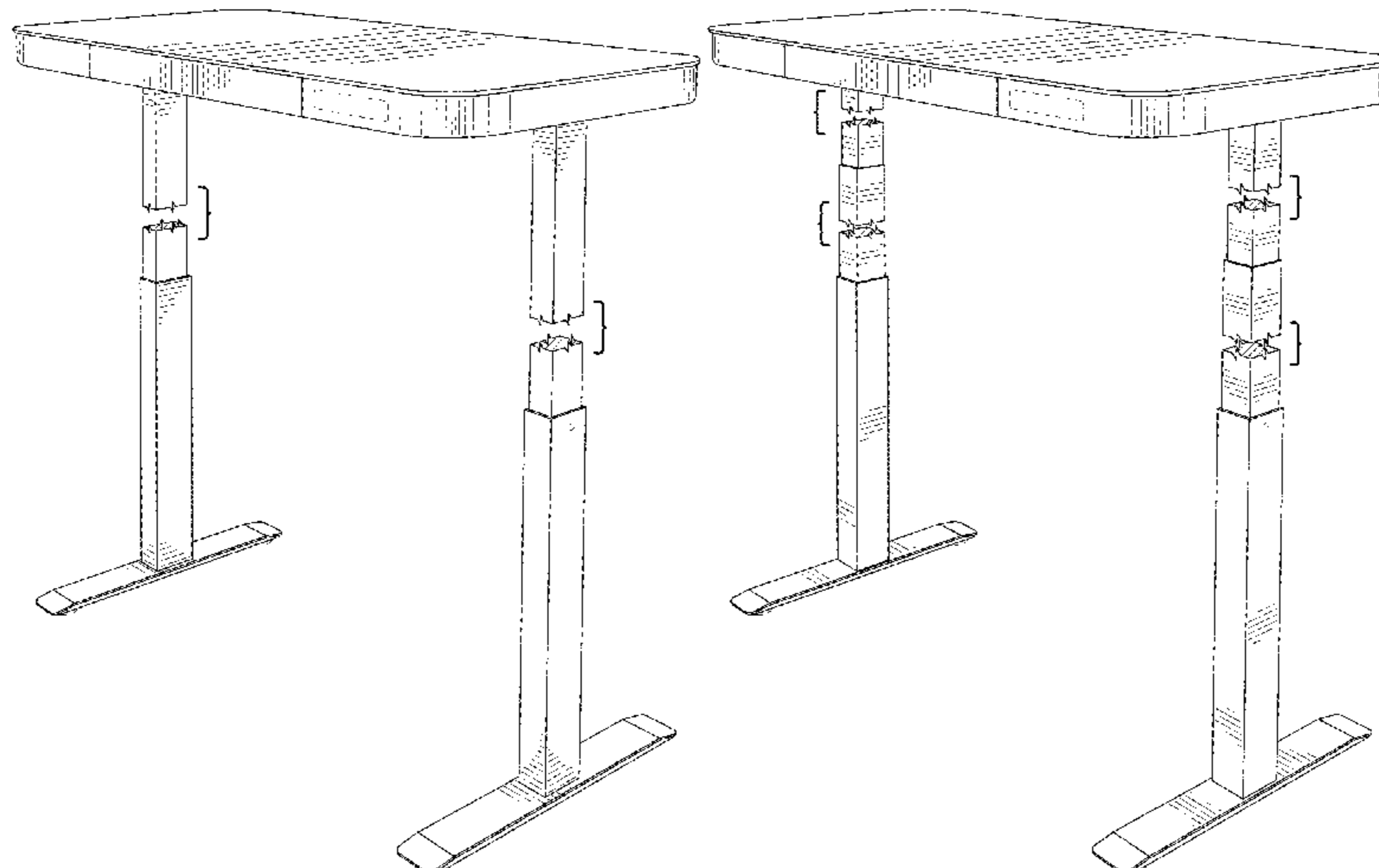
(57) **CLAIM**

The ornamental design for a table, as shown and described.

DESCRIPTION

FIG. 1 is a front perspective view of a table showing one embodiment of our new design.
FIG. 2 is a front view thereof.
FIG. 3 is a rear view thereof.
FIG. 4 is a left view thereof.
FIG. 5 is a right view thereof.
FIG. 6 is a top view thereof.
FIG. 7 is a front perspective view of a table showing another embodiment of our new design.
FIG. 8 is a front view thereof.
FIG. 9 is a rear view thereof.
FIG. 10 is a left view thereof.
FIG. 11 is a right view thereof; and,
FIG. 12 is a top view thereof.
The broken lines shown in the figures represent portions of the table that form no part of the claimed design.

(Continued)



The legs of the table is shown with a symbolic break in their length. The appearance of any portion of the article between the break lines forms no part of the claimed design.

1 Claim, 12 Drawing Sheets

(56)

References Cited

U.S. PATENT DOCUMENTS

2019/0200751 A1* 7/2019 Yamamoto A47B 9/00
2019/0246789 A1* 8/2019 Chen A47B 9/20
2019/0298055 A1* 10/2019 Yamamoto A47B 9/20
2019/0343272 A1* 11/2019 Smith F16M 11/24

OTHER PUBLICATIONS

Maple Sit Stand Desk—SitStandDesk.com <https://sitstanddesk.com/e21e-electric-sitstanddesk-with-rectangular-hpl-maple-top.html?gclid=available> Jun. 28, 2018.*

* cited by examiner

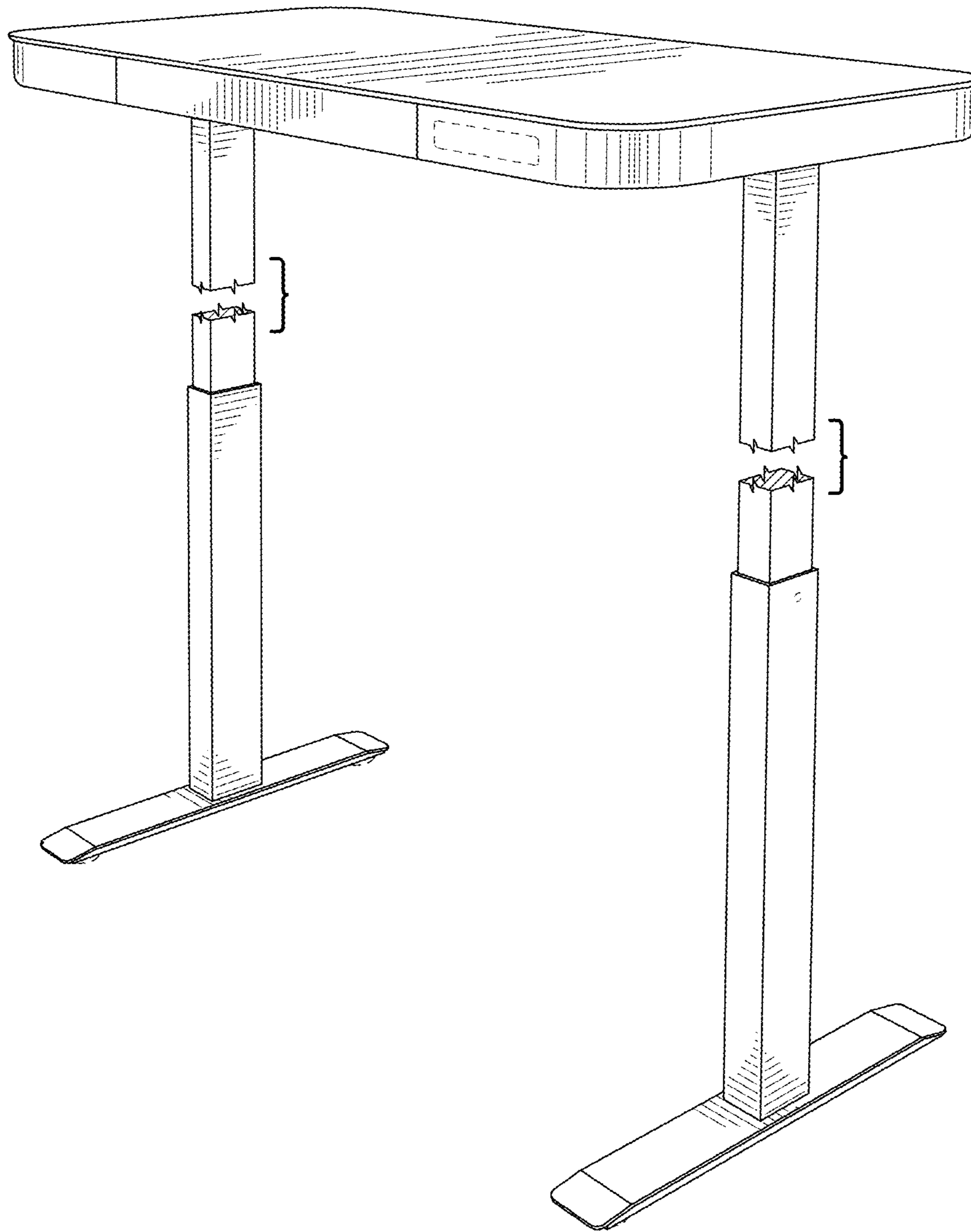


FIG. 1

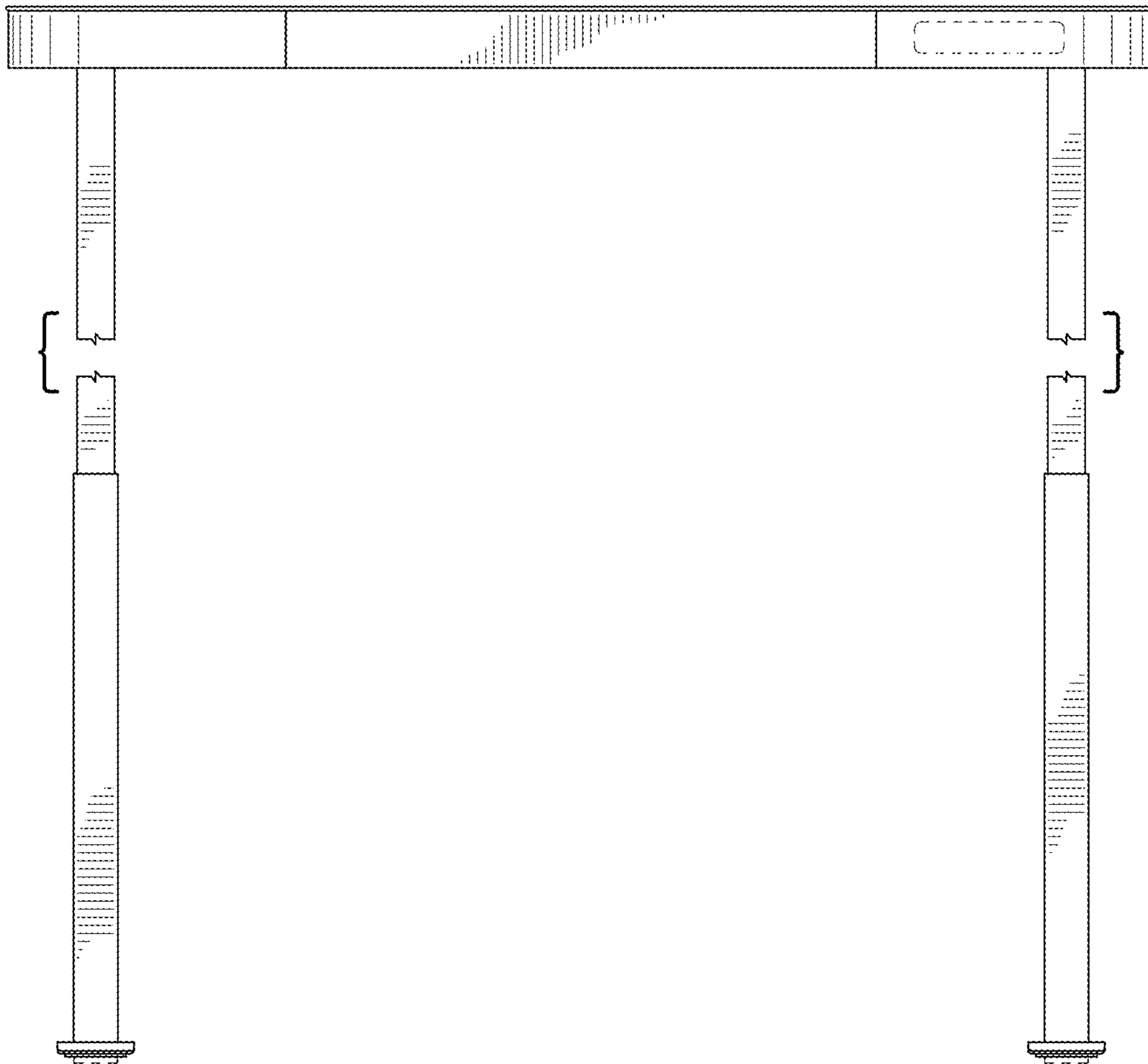


FIG. 2

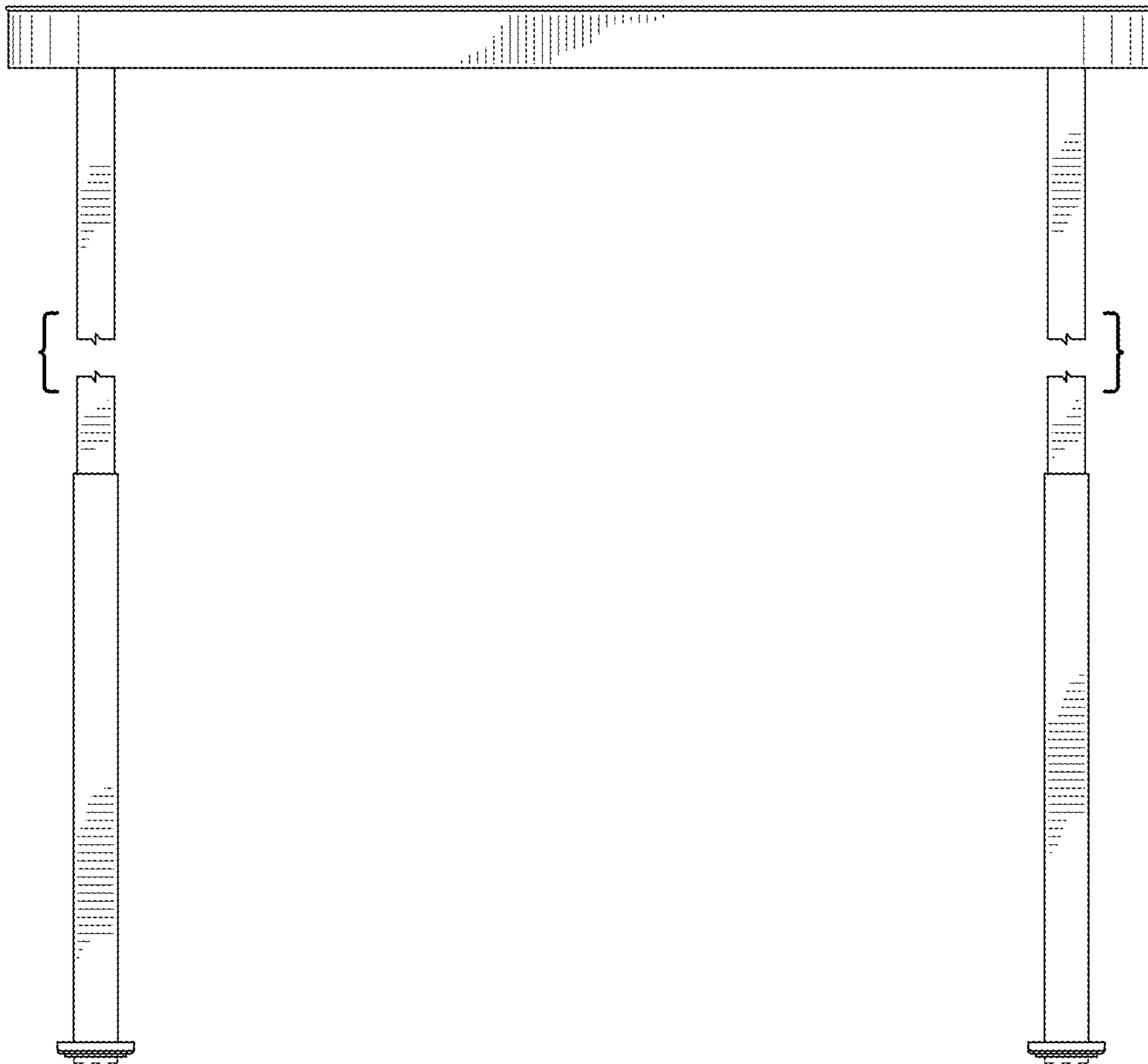


FIG. 3

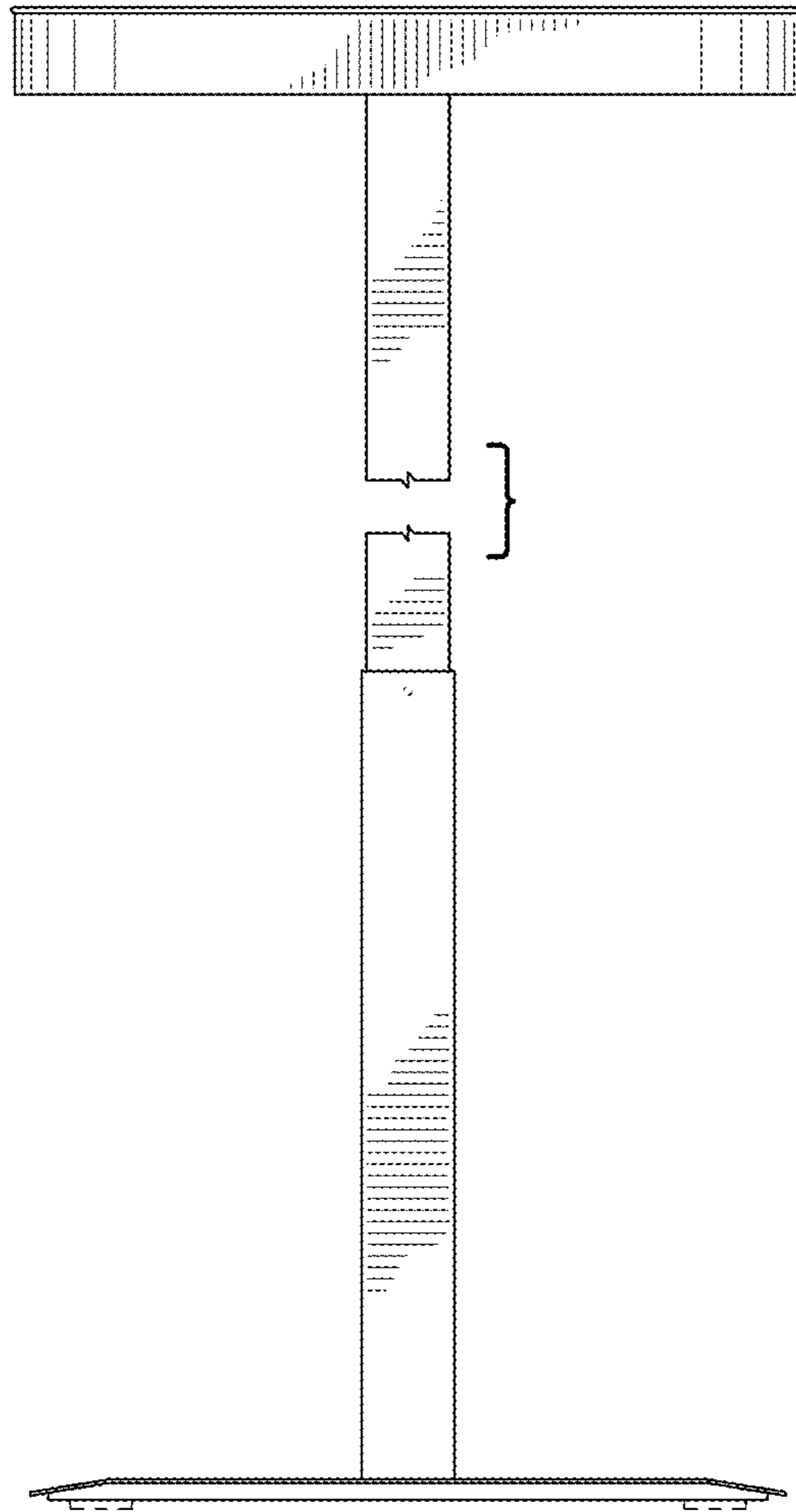


FIG.4

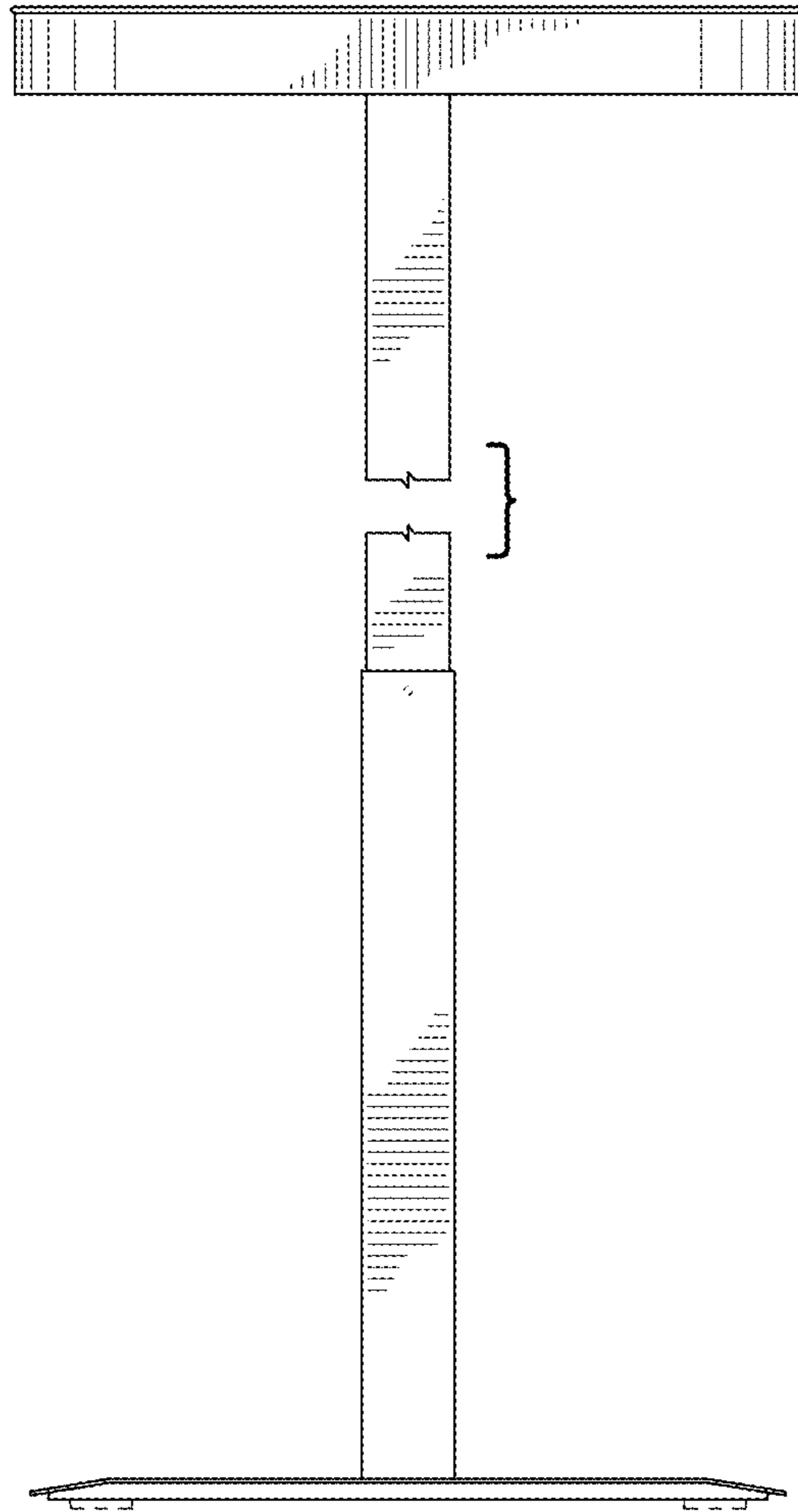


FIG. 5

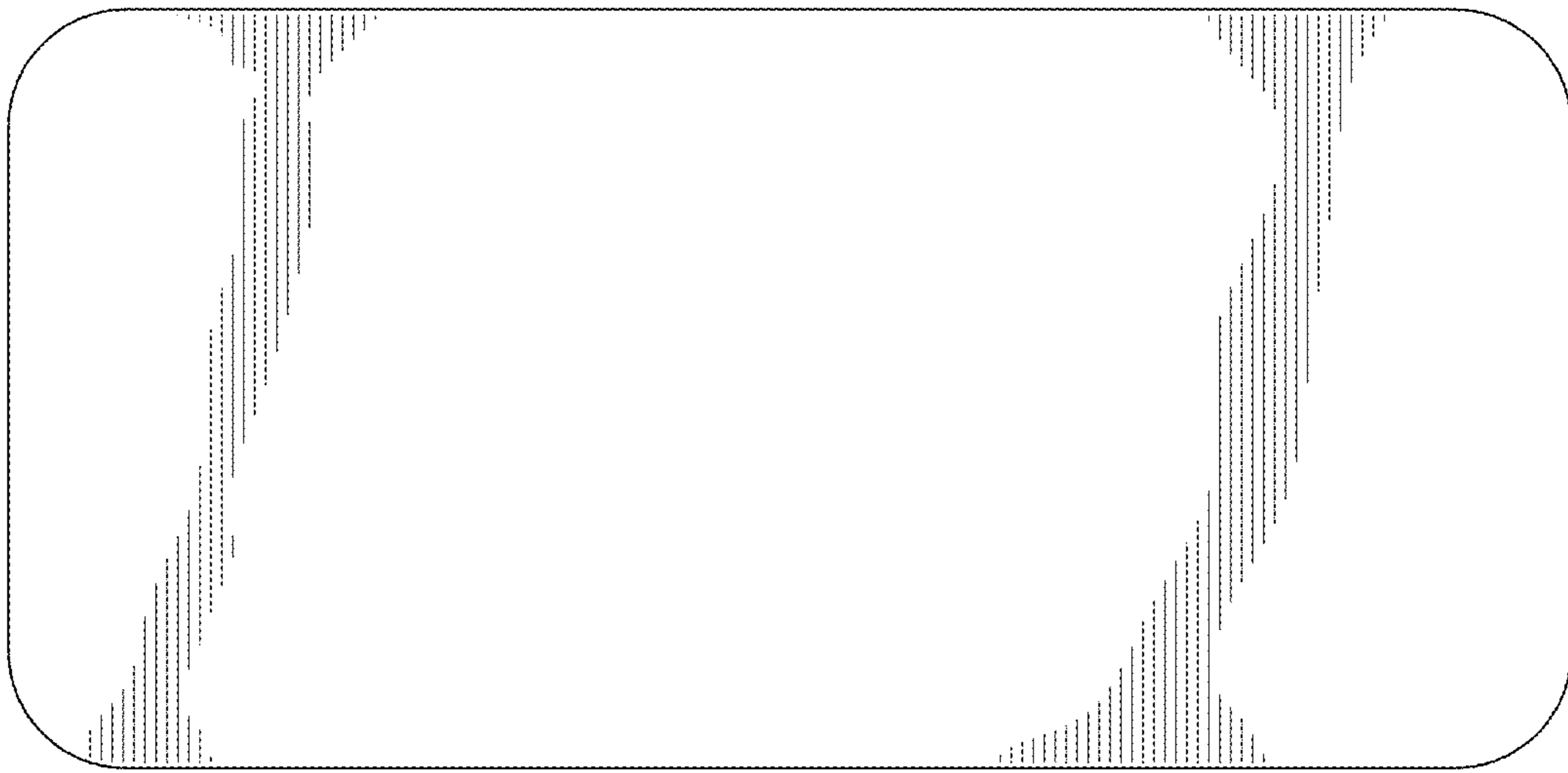


FIG. 6

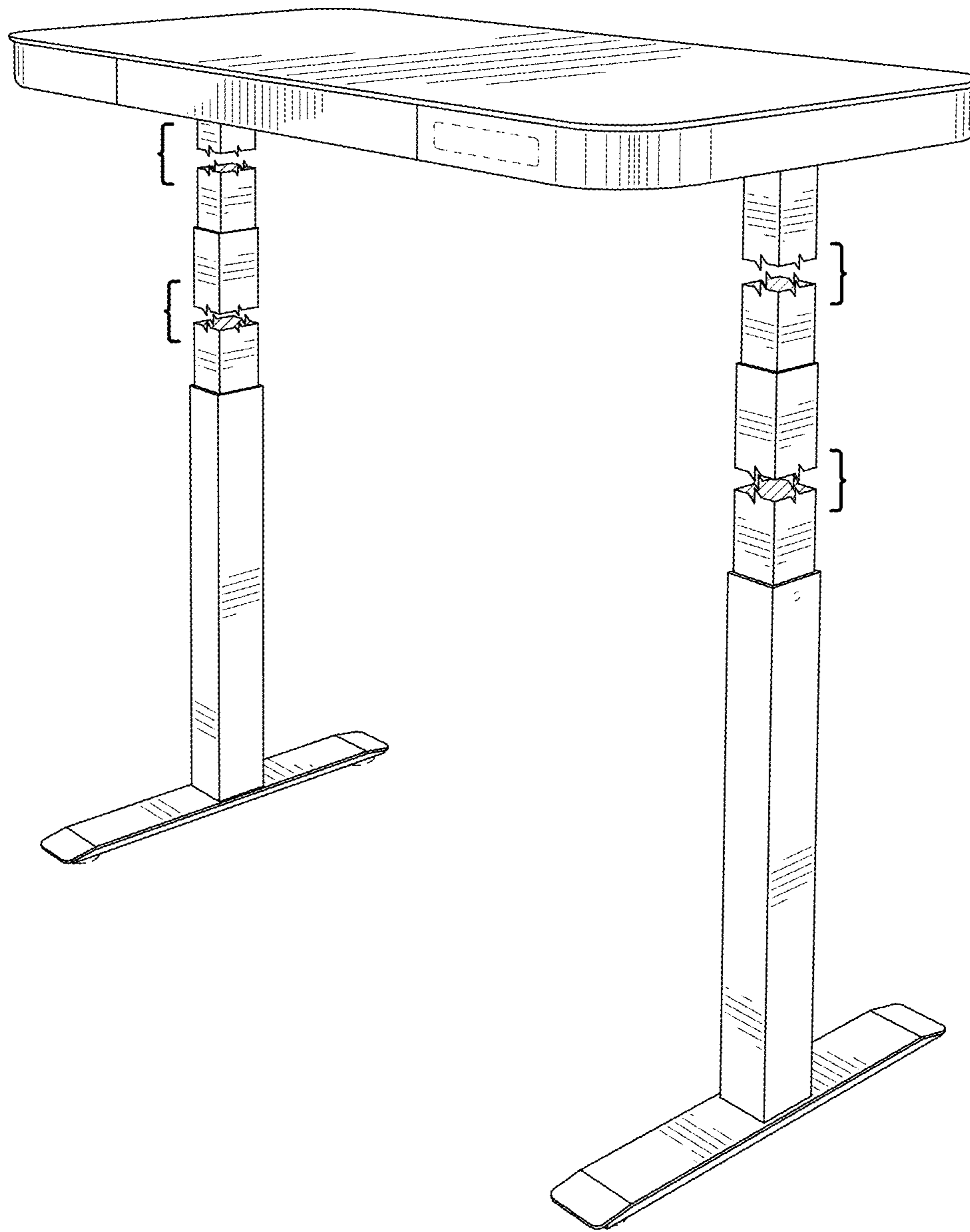


FIG. 7

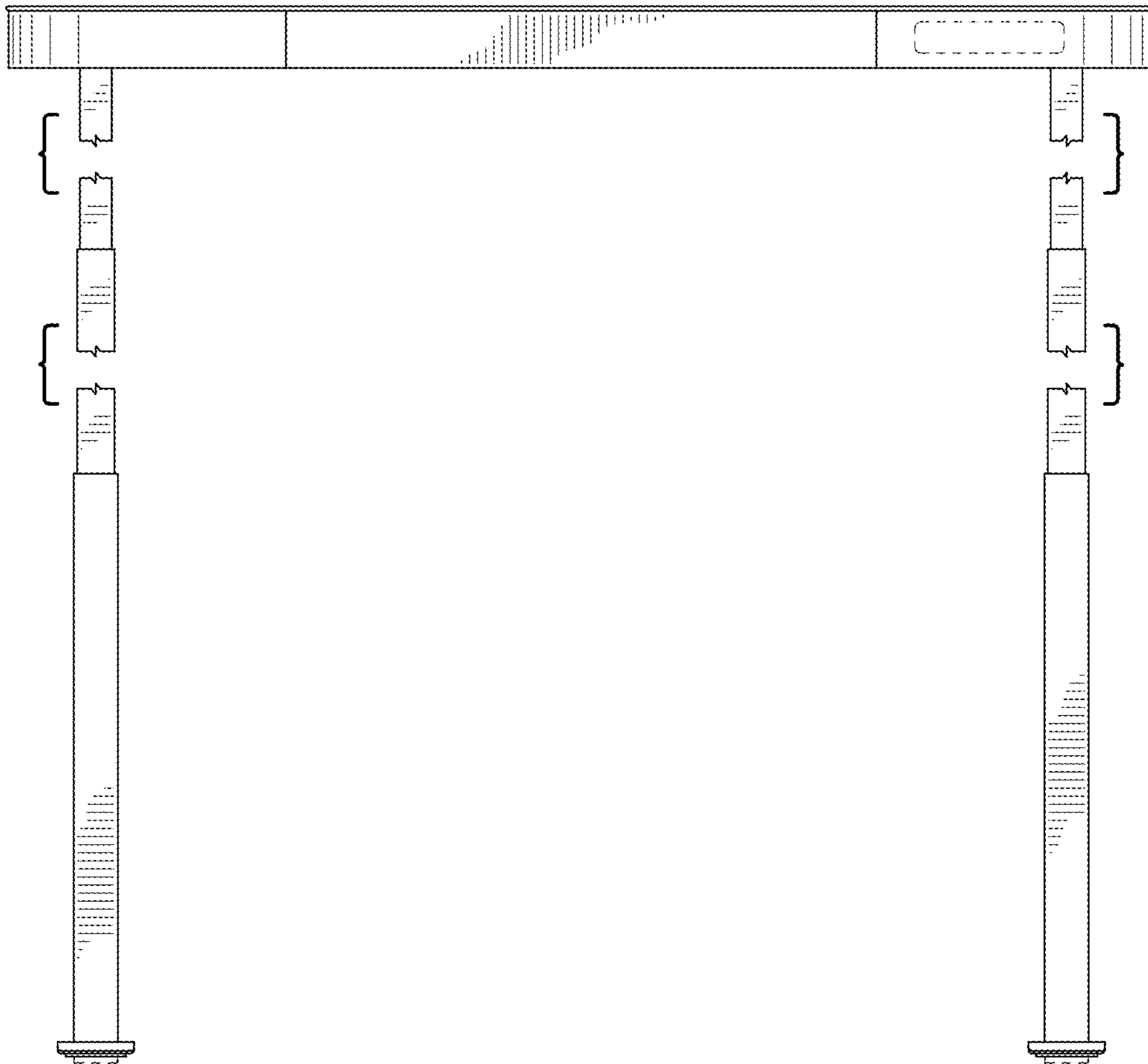


FIG.8

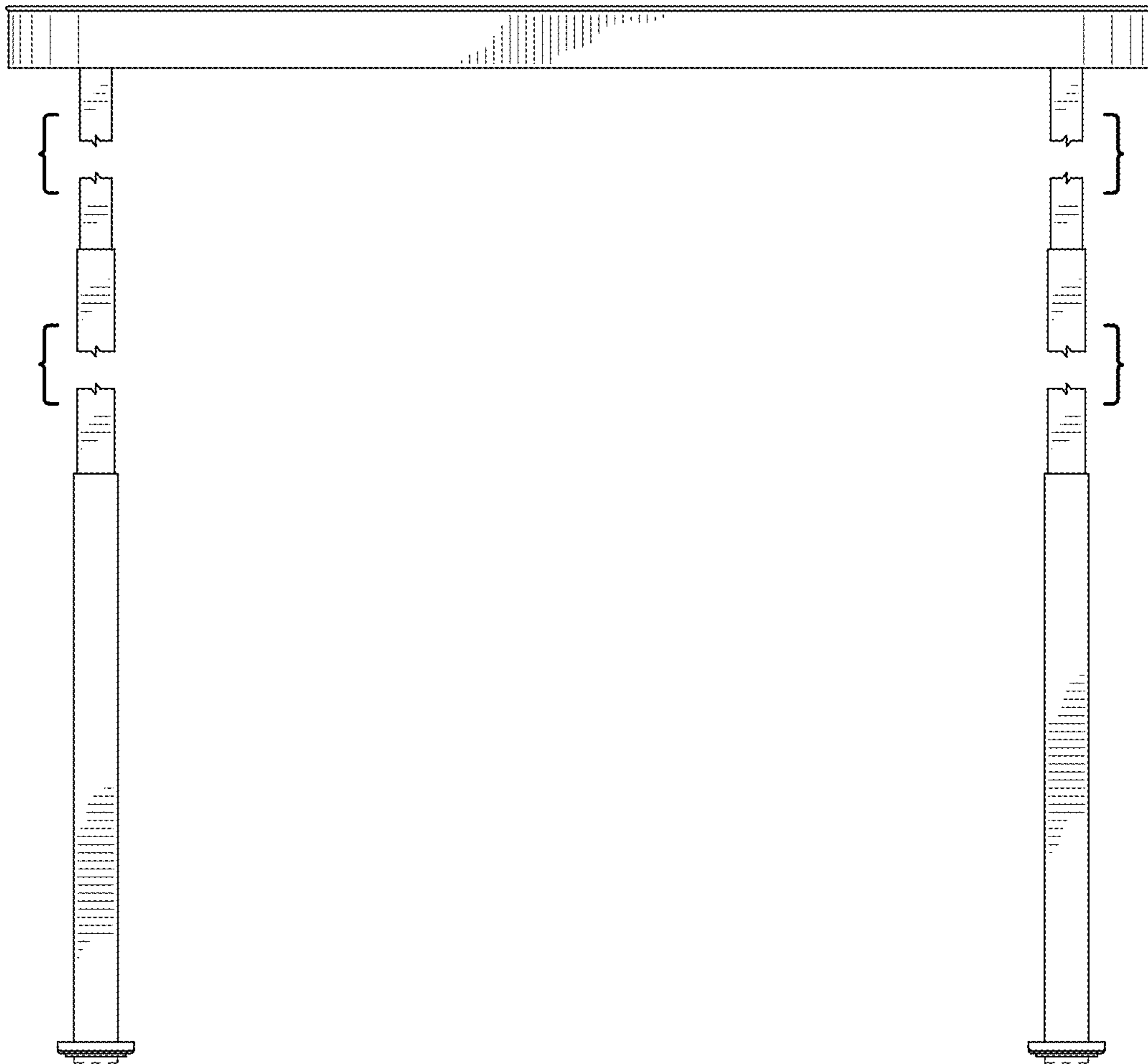


FIG. 9

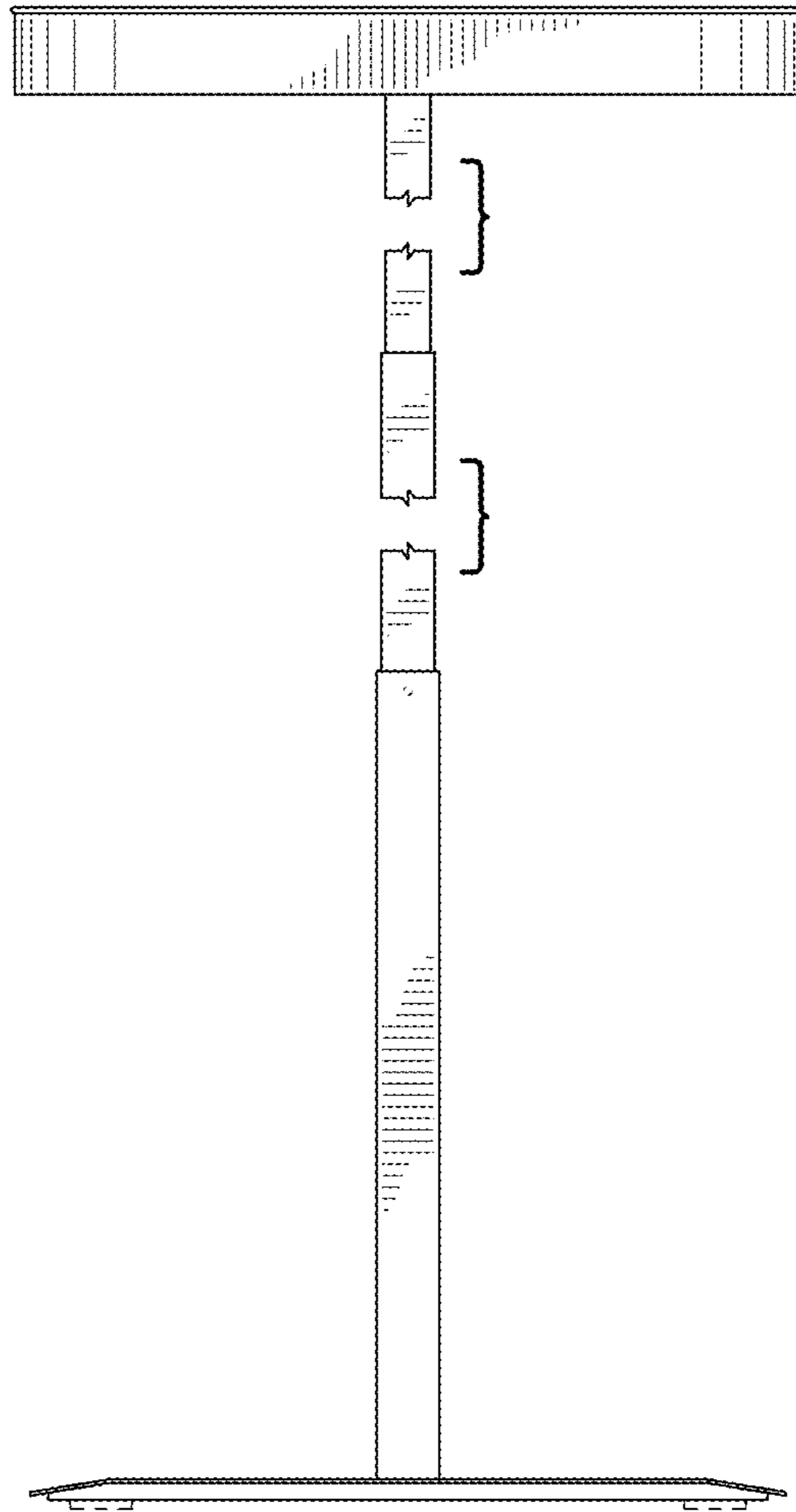


FIG. 10

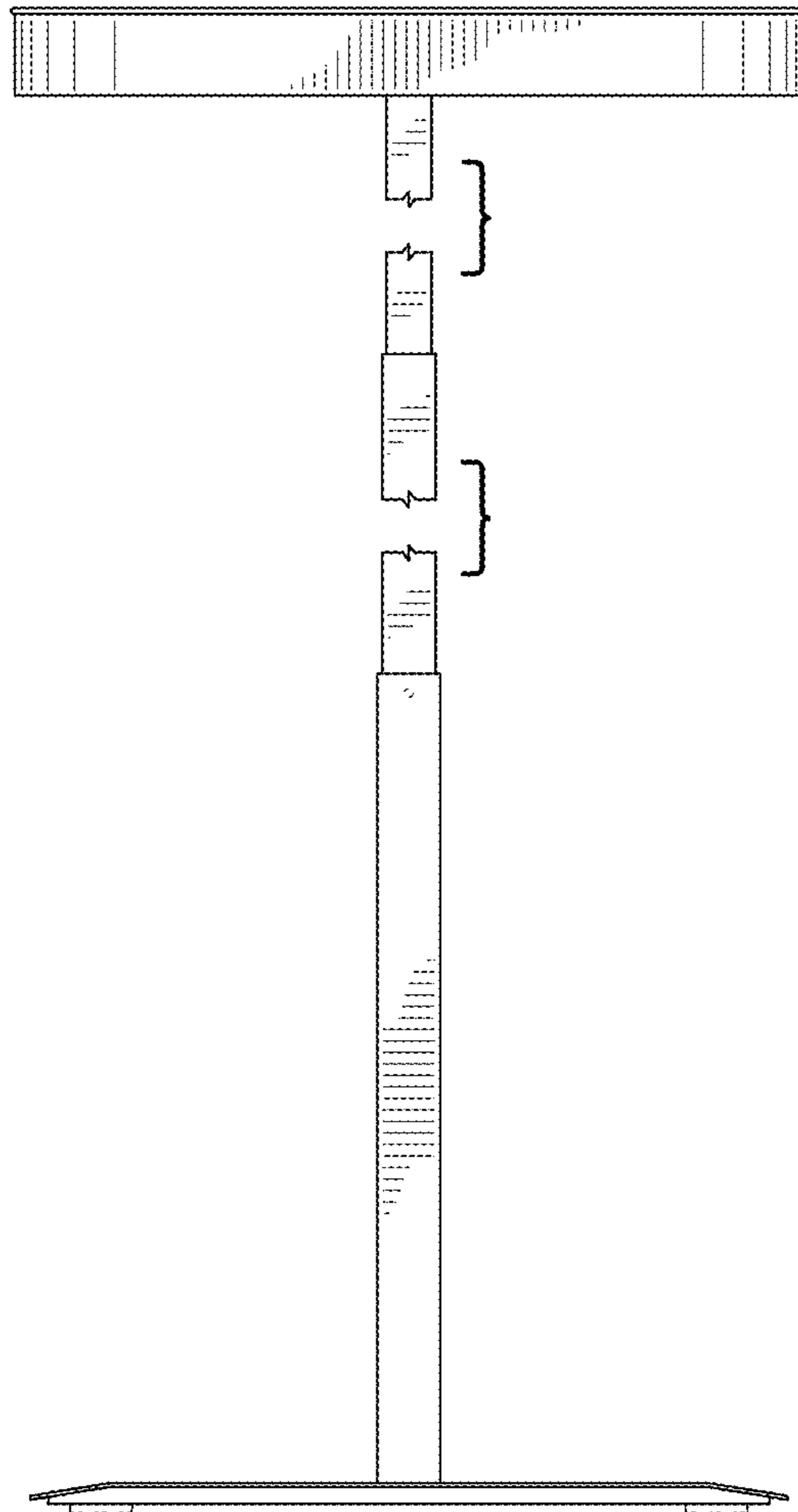


FIG. 11

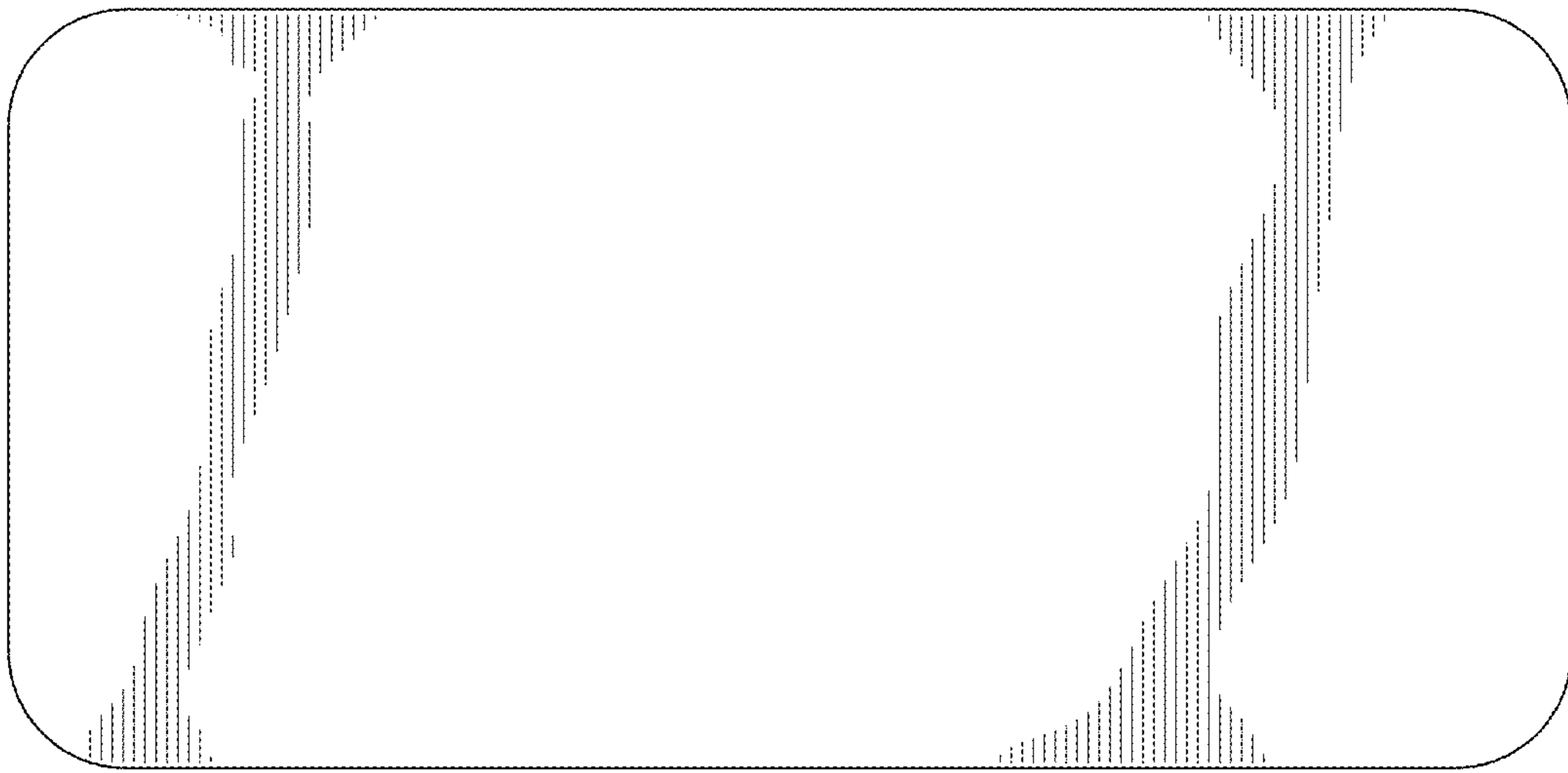


FIG. 12