



US00D880199S

(12) **United States Design Patent** (10) **Patent No.:** **US D880,199 S**  
**Xia** (45) **Date of Patent:** **\*\* Apr. 7, 2020**

(54) **ELEVATOR SHELF**  
(71) Applicant: **Changsha Lizu Office Supplies Co., Ltd.**, Changsha, Hunan Province (CN)  
(72) Inventor: **Yuehong Xia**, Changsha (CN)  
(73) Assignee: **CHANGSHA LIZU OFFICE SUPPLIES CO., LTD.**, Changsha, Hunan Province (CN)  
(\*\*) Term: **15 Years**  
(21) Appl. No.: **29/640,434**  
(22) Filed: **Mar. 14, 2018**  
(30) **Foreign Application Priority Data**

D267,699 S \* 1/1983 Prawl ..... D8/354  
4,646,656 A \* 3/1987 Marschak ..... A47F 5/103  
108/108  
4,809,941 A \* 3/1989 Sheridan ..... A47B 96/061  
248/235  
D304,112 S \* 10/1989 Bettess ..... D34/21  
D355,990 S \* 3/1995 Vincelli ..... D6/555  
5,644,993 A \* 7/1997 Dohnalik ..... A47B 21/02  
108/108  
D382,432 S \* 8/1997 Perelli ..... D6/555  
D406,476 S \* 3/1999 Boije ..... D6/574  
D418,341 S \* 1/2000 Carville ..... D6/561  
D456,169 S \* 4/2002 Ko ..... D6/655.14  
D490,633 S \* 6/2004 Kondoh ..... D6/518  
D538,093 S \* 3/2007 Lee ..... D6/555  
D545,604 S \* 7/2007 Eyman ..... D6/574  
D546,103 S \* 7/2007 Eyman ..... D6/574  
D622,527 S \* 8/2010 Wang ..... D6/570  
D781,619 S \* 3/2017 Flaherty ..... D6/655  
D785,386 S \* 5/2017 Flaherty ..... D6/707.15

(Continued)

Oct. 22, 2017 (CN) ..... 2017 3 0504661  
Oct. 22, 2017 (CN) ..... 2017 3 0504666

(51) **LOC (12) Cl.** ..... **06-30**  
(52) **U.S. Cl.**  
USPC ..... **D6/642; D6/654**  
(58) **Field of Classification Search**  
USPC ..... D6/641, 648, 648.2, 665, 655.1,  
D6/655.11-655.16, 655.21, 656, 702,  
D6/707.15, 707.19, 642, 707, 654, 654.1,  
D6/654.21, 698  
CPC .... A47B 1/00; A47B 7/00; A47B 9/00; A47B  
9/10; A47B 9/16; A47B 2009/006; A47B  
11/00; A47B 13/00; A47B 13/081; A47B  
21/0073; A47B 21/02; A47B 21/03; A47B  
2200/005; A47B 2200/0064  
See application file for complete search history.

*Primary Examiner* — Nathan M Johnston  
(74) *Attorney, Agent, or Firm* — Juan Carlos A. Marquez;  
Marquez IP Law Office, PLLC

(57) **CLAIM**

I claim the ornamental design for an elevator shelf, as shown and described.

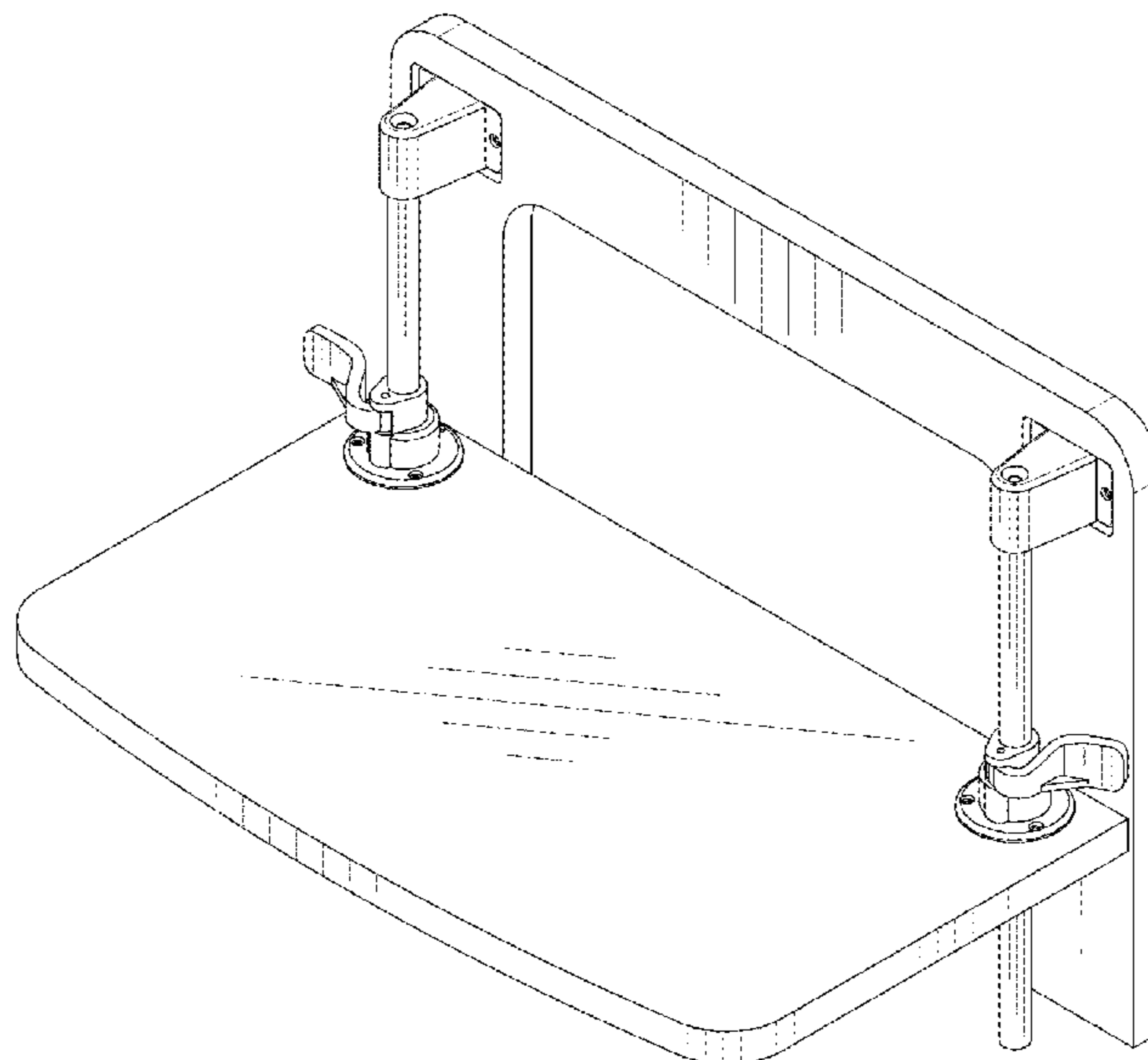
**DESCRIPTION**

FIG. 1 is a perspective view of an elevator shelf in accordance with my new design;  
FIG. 2 is a front elevation view thereof;  
FIG. 3 is a rear elevation view thereof;  
FIG. 4 is a right-side elevation view thereof;  
FIG. 5 is a left-side elevation view thereof;  
FIG. 6 is a top plan view thereof; and,  
FIG. 7 is a bottom plan view thereof.  
The broken lines show portions of the design that form no part of the claimed design.

(56) **References Cited**  
U.S. PATENT DOCUMENTS

D116,600 S \* 9/1939 Thorn ..... 211/126.1  
3,015,400 A \* 1/1962 Foster ..... A47F 5/103  
211/183

**1 Claim, 7 Drawing Sheets**



(56)

**References Cited**

U.S. PATENT DOCUMENTS

D794,358 S \* 8/2017 Yamamoto ..... D6/656  
D794,420 S \* 8/2017 Emmons ..... D8/349  
2014/0137773 A1\* 5/2014 Mandel ..... G06Q 10/109  
108/50.11  
2014/0238279 A1\* 8/2014 Maas ..... A47B 9/02  
108/146  
2016/0278514 A1\* 9/2016 Maas ..... A47B 9/14  
2017/0354245 A1\* 12/2017 Martin ..... A47B 21/02

\* cited by examiner

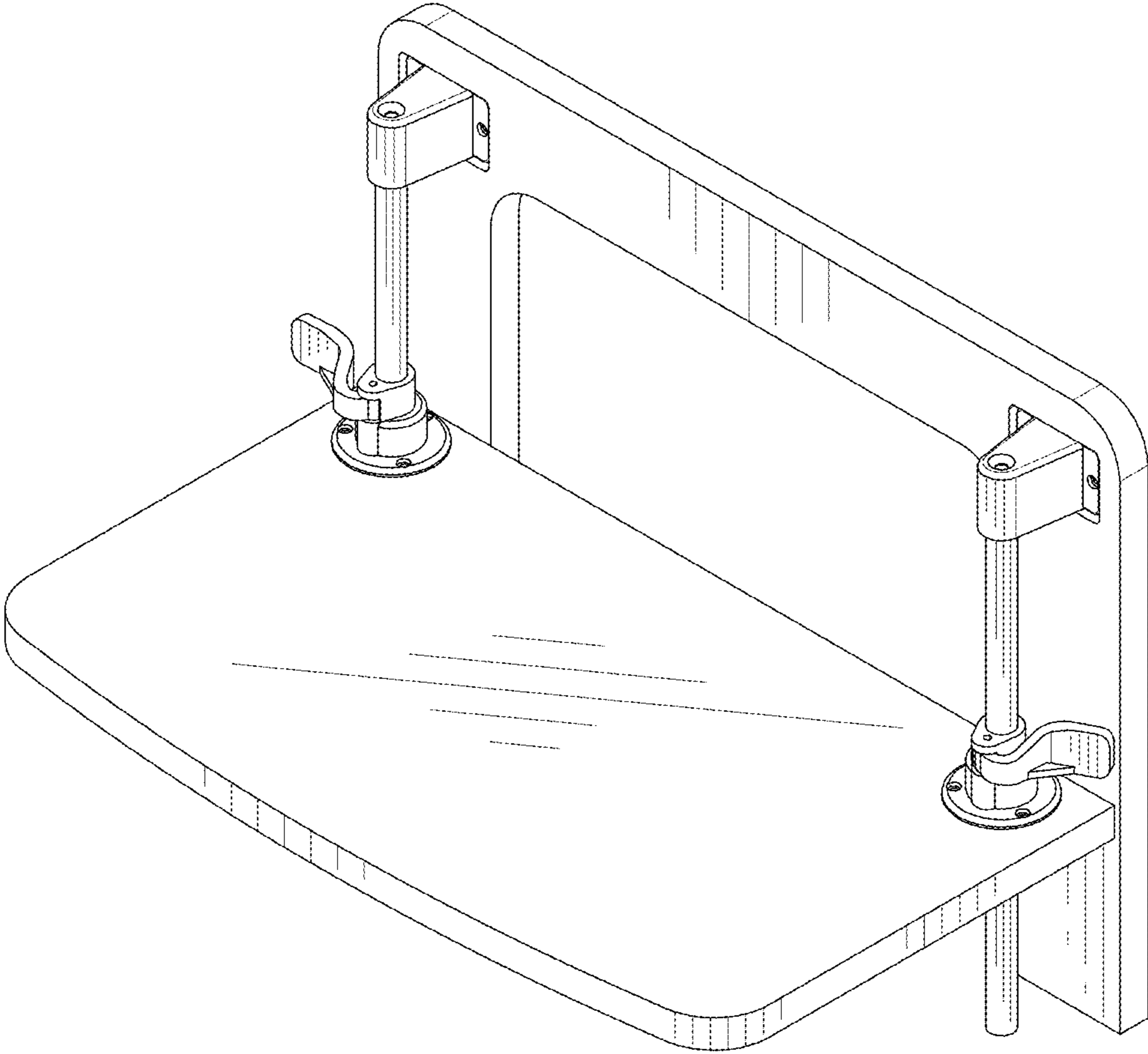


FIG. 1

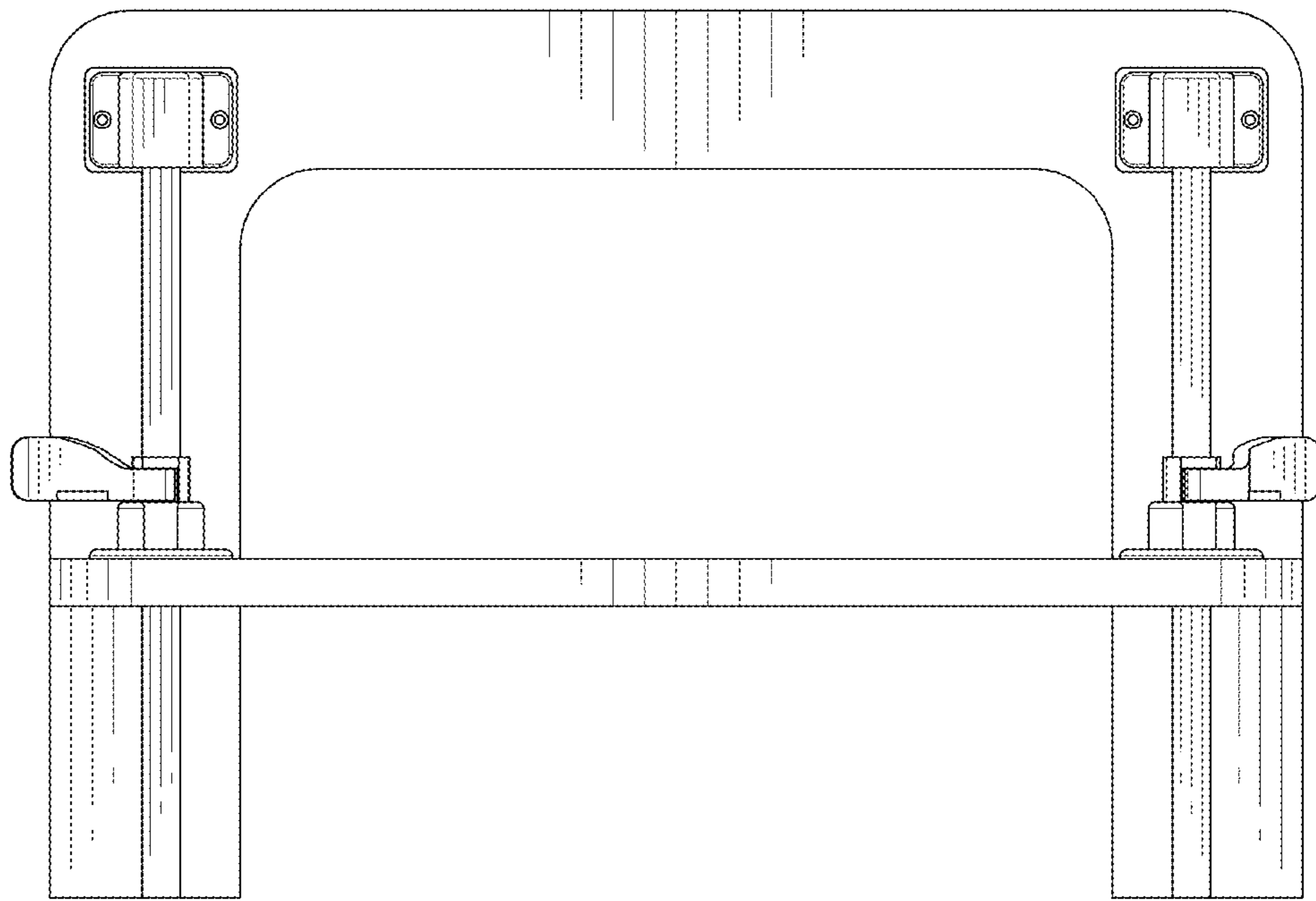


FIG. 2

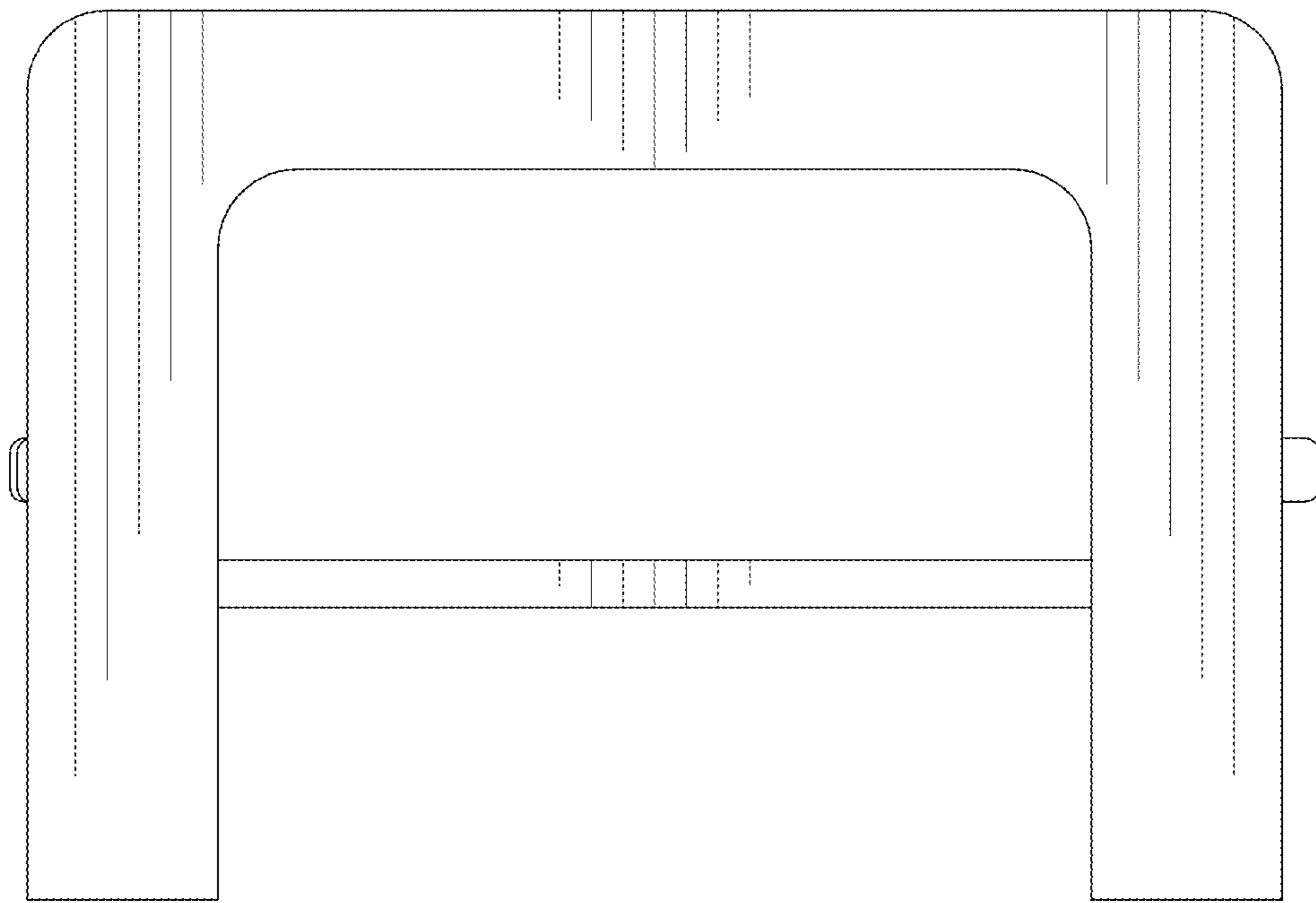


FIG. 3

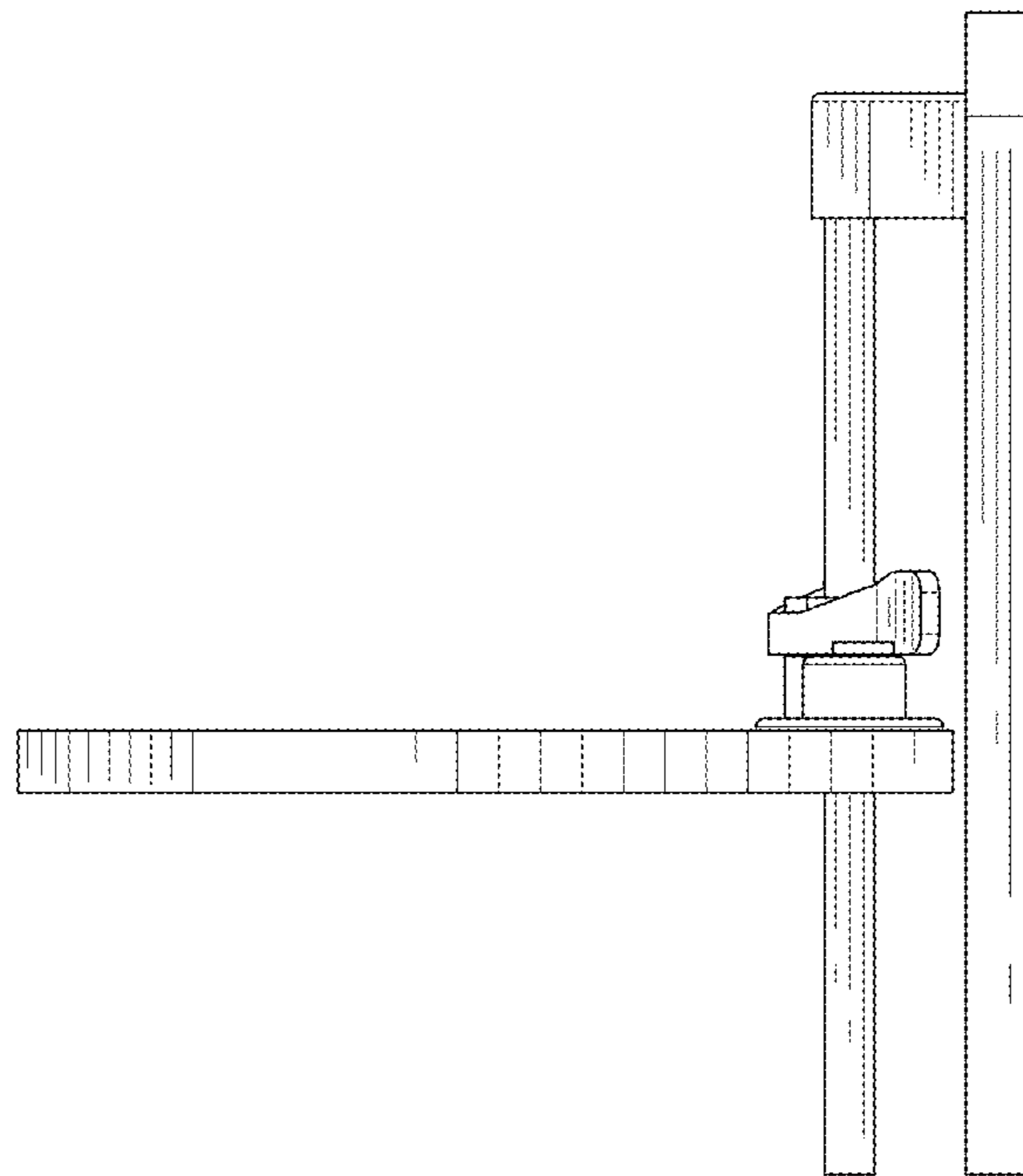


FIG. 4

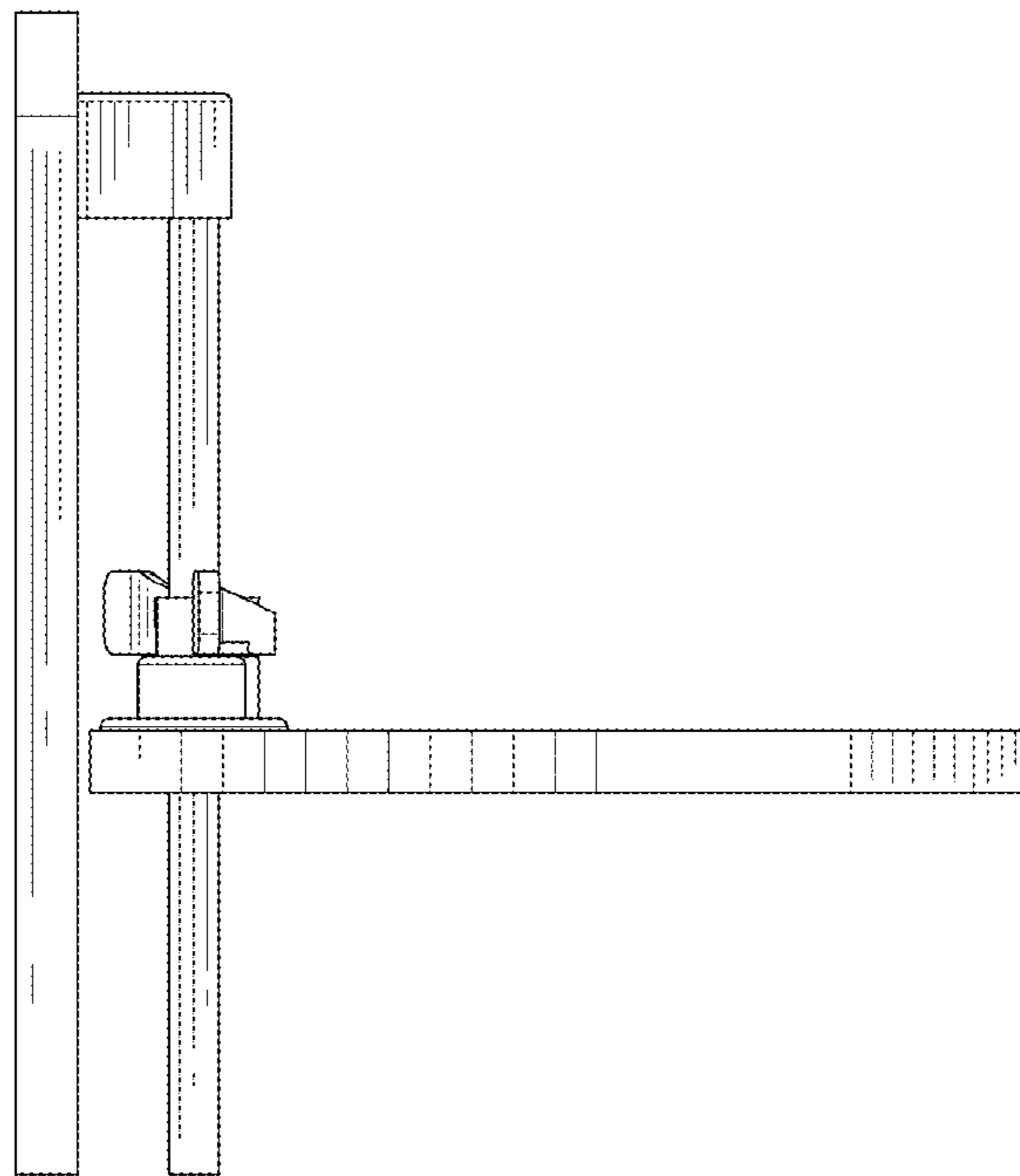


FIG. 5

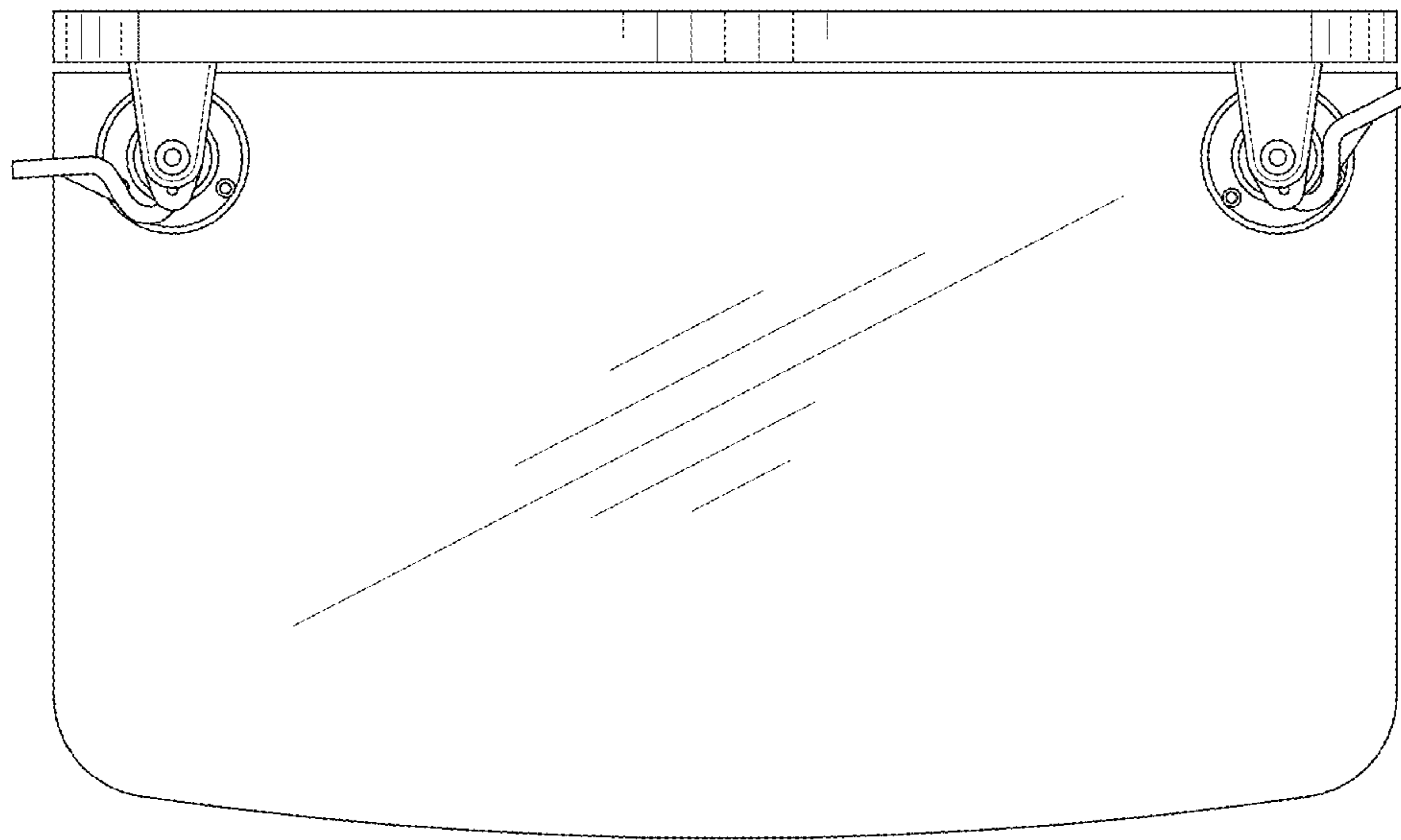


FIG. 6



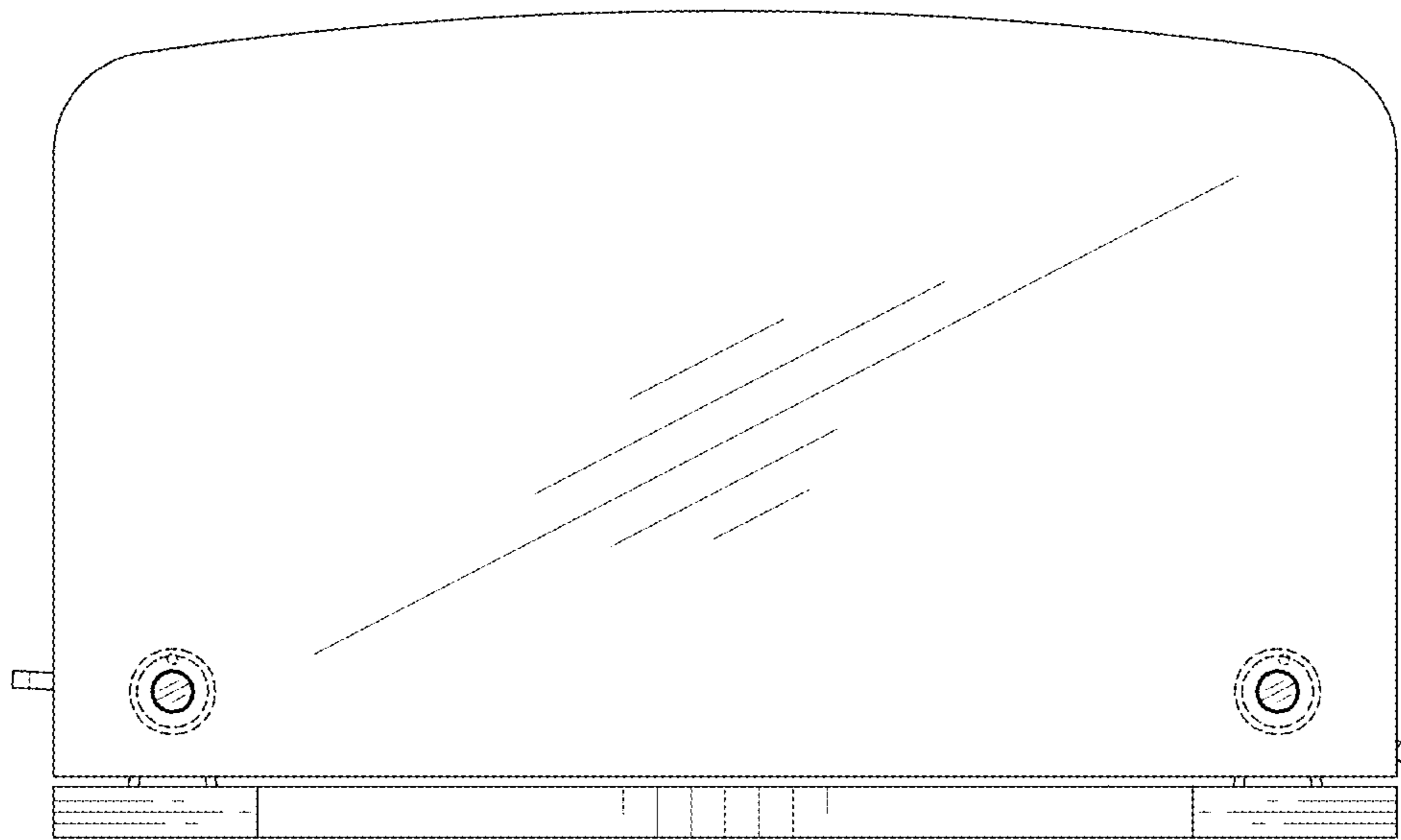


FIG. 7