



US00D880193S

(12) **United States Design Patent** (10) **Patent No.:** **US D880,193 S**
Clark (45) **Date of Patent:** **** Apr. 7, 2020**

(54) **LOUNGE CHAIR CUSHION**

FOREIGN PATENT DOCUMENTS

(71) Applicant: **Debra Clark**, West Islip, NY (US)

WO 1992004846 A1 4/1992
WO 2010093303 A1 8/2010

(72) Inventor: **Debra Clark**, West Islip, NY (US)

Primary Examiner — Michelle E. Wilson

(**) Term: **15 Years**

Assistant Examiner — Sanjeev Paul

(21) Appl. No.: **29/600,335**

(74) *Attorney, Agent, or Firm* — Olav M. Underdal; IDP Patent Services

(22) Filed: **Apr. 11, 2017**

(57) **CLAIM**

(51) **LOC (12) Cl.** **06-09**

The ornamental design for a lounge chair cushion, as shown and described.

(52) **U.S. Cl.**

DESCRIPTION

USPC **D6/601**

(58) **Field of Classification Search**

USPC D6/333, 349, 355, 375, 388, 512, 563,
D6/564, 595, 596, 601, 603, 605, 608,
D6/604, 611; D24/183–185, 234;
D21/803, 804, 805, 809; 5/401, 420,
5/600, 630, 631, 632, 633, 635, 636, 638,
5/639, 646, 652, 652.1, 655, 703, 730,
5/411, 705

CPC .. A47G 9/0238; A47G 9/0246; A47G 9/0261;
A47G 2009/0269; A47G 9/10; A47G
9/1018; A47G 9/1027; A47G 9/1063;
A47G 9/1072; A47G 9/1081; A47G
9/1054

See application file for complete search history.

FIG. 1 is a front view of a lounge chair cushion, in a folded-out state;

FIG. 2 is a bottom view thereof, in a folded-out state;

FIG. 3 is a right side view thereof, in a folded-out state;

FIG. 4 is a top view thereof, in a folded-out state;

FIG. 5 is a left side view thereof, in a folded-out state;

FIG. 6 is a rear view thereof, in a folded-out state;

FIG. 7 is a top front perspective view thereof, in a folded-out state;

FIG. 8 is a bottom back perspective view thereof, in a folded-out state;

FIG. 9 is a top front perspective view thereof, in a partially folded-out state;

FIG. 10 is a top front perspective view thereof, in a folded-out state with flaps partially hidden, shown in environmental use. The broken lines are to illustrate an environment only and form no part of the claimed design;

FIG. 11 is a perspective view thereof, in a folded-up state;

FIG. 12 is a top view thereof, in a folded-up state;

FIG. 13 is a bottom view thereof, in a folded-up state;

FIG. 14 is a front view thereof, in a folded-up state;

FIG. 15 is a rear view thereof, in a folded-up state;

FIG. 16 is a left side view thereof, in a folded-up state; and,

FIG. 17 is a right side view thereof, in a folded-up state.

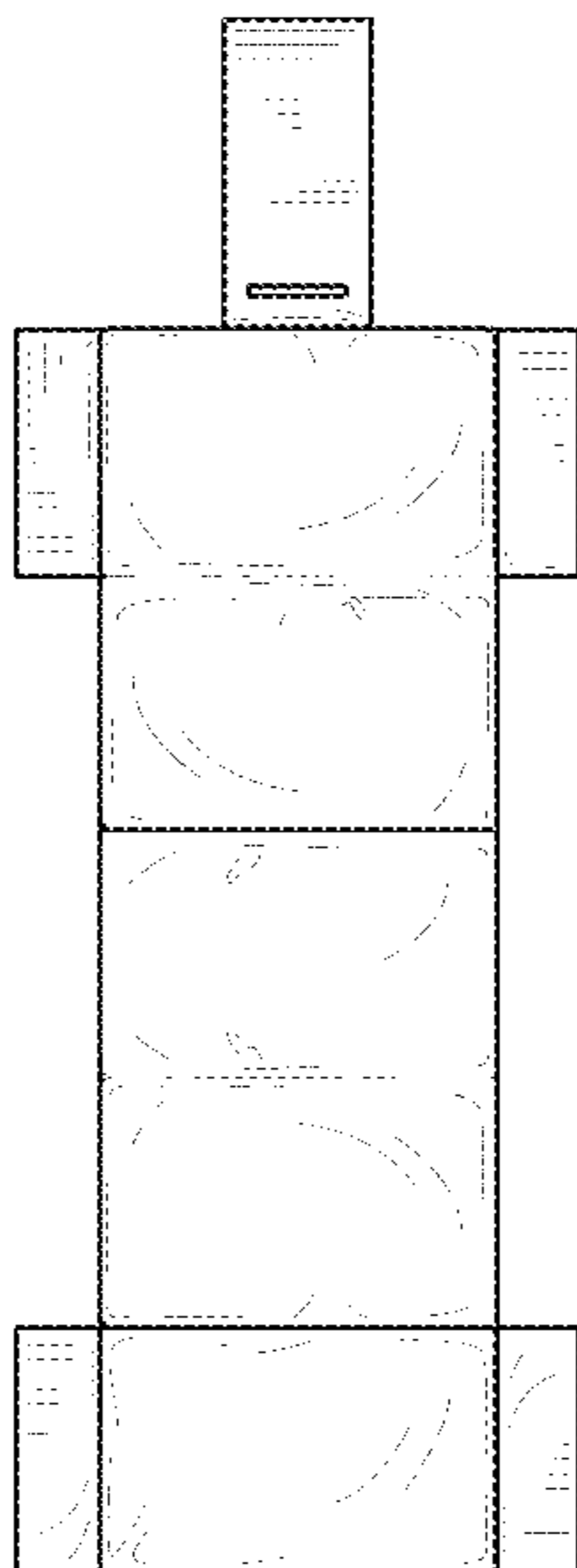
(56) **References Cited**

U.S. PATENT DOCUMENTS

2,103,553 A * 12/1937 Reynolds A47C 21/046
5/652.1
2,358,410 A * 9/1944 Matthesius A41B 13/06
2/69.5
2,528,768 A * 11/1950 Marsh A47C 3/16
297/109
2,788,533 A * 4/1957 Bornstein A47C 27/125
5/419

(Continued)

1 Claim, 10 Drawing Sheets



(56)

References Cited

U.S. PATENT DOCUMENTS

2,883,682 A * 4/1959 Kwake A47G 9/1045
5/419
3,336,610 A * 8/1967 Geddings A47D 15/00
5/420
3,339,913 A * 9/1967 Anderson A61G 13/12
5/600
D216,610 S * 2/1970 Stiver D6/596
D245,657 S * 9/1977 Welton D6/375
4,190,918 A * 3/1980 Harvell A47C 4/52
190/1
D255,523 S * 6/1980 Yarabinec D6/596
D255,524 S * 6/1980 Yarabinec D6/596
D258,482 S * 3/1981 Strock 5/653
D276,954 S * 1/1985 Kruger 5/653
D299,988 S * 2/1989 Parabita 5/420
D303,560 S * 9/1989 Scheurer D21/809
D306,472 S * 3/1990 Scheurer D21/809
D306,474 S * 3/1990 Scheurer D21/809
5,033,133 A 7/1991 Nissen
D319,365 S * 8/1991 Edelson D6/596
D321,742 S * 11/1991 Yu D21/804
D322,302 S * 12/1991 Yu D21/804
5,099,530 A * 3/1992 Scott A47G 9/02
5/419
D328,349 S * 7/1992 Waldrop D24/183
5,199,120 A 4/1993 Holmes
5,265,292 A 11/1993 Underell
5,466,039 A 11/1995 Umbrianna
D366,800 S * 2/1996 Moore, Jr. D6/596
5,491,851 A * 2/1996 Alonso A47C 27/001
5/420
D367,771 S * 3/1996 Julian 5/655
D376,689 S * 12/1996 Doppelt D3/274
D376,945 S * 12/1996 Bonaddio 5/420
D376,946 S * 12/1996 Maxim D6/596
D382,756 S * 8/1997 Ryan D6/596
D387,939 S * 12/1997 Tedesco D6/610
D403,548 S * 1/1999 Kachmar D6/601
6,062,930 A * 5/2000 Smith A47C 15/006
441/125
6,149,234 A * 11/2000 Daniels A47C 1/143
297/188.06
6,272,704 B1 * 8/2001 Cutler A47D 5/006
5/420
6,321,401 B1 * 11/2001 Fleming A47C 27/001
5/420
D474,934 S 5/2003 Ildstad et al.
6,618,883 B2 * 9/2003 Angland A47C 17/04
5/12.1

6,626,491 B1 * 9/2003 Blome A45F 4/08
297/188.2
D486,876 S * 2/2004 Wilbanks D21/809
6,691,356 B1 2/2004 Coma
6,711,766 B2 * 3/2004 Monk A47B 95/02
5/417
6,823,547 B1 * 11/2004 Harding A47C 27/081
5/655
D528,182 S * 9/2006 Rominger D21/809
D541,366 S * 4/2007 Rominger D21/803
D593,788 S * 6/2009 Thompson D6/602
7,861,340 B2 * 1/2011 Barthelt A61G 7/012
5/600
D653,485 S * 2/2012 Karp D6/596
8,347,431 B1 * 1/2013 Cohron, III A47G 9/0253
297/397
D685,211 S * 7/2013 Vega-Woller D6/596
8,578,526 B1 11/2013 Rosso
8,887,327 B2 * 11/2014 Davis, Jr. A61G 7/1074
5/420
8,899,677 B2 * 12/2014 Hurlburt A47C 13/00
297/217.1
D740,904 S * 10/2015 Santaw D21/803
D755,540 S 5/2016 Schueth
D799,857 S * 10/2017 Takagi D6/596
D807,665 S * 1/2018 Vega-Woller D6/596
10,264,888 B2 * 4/2019 Clark A47C 7/021
2005/0081297 A1 * 4/2005 Woodward A47D 5/006
5/655
2006/0282949 A1 * 12/2006 Karen A47C 1/146
5/419
2007/0122066 A1 * 5/2007 Landay A45C 11/26
383/16
2008/0028529 A1 * 2/2008 Abell A47G 9/0253
5/640
2008/0120780 A1 * 5/2008 Genaro A61G 7/05776
5/600
2008/0178391 A1 7/2008 Andrade
2013/0091629 A1 * 4/2013 Eaton A47G 9/0253
5/490
2013/0276238 A1 * 10/2013 Vega-Woller A47D 15/003
5/703
2015/0251046 A1 * 9/2015 Liu A63B 21/4037
5/420
2016/0000623 A1 * 1/2016 Koch A61G 7/012
5/608
2017/0238733 A1 * 8/2017 Saunier A47G 9/062
2017/0238735 A1 * 8/2017 Millar A47G 9/10
2018/0289163 A1 * 10/2018 Clark A47C 1/143

* cited by examiner

FIG. 1

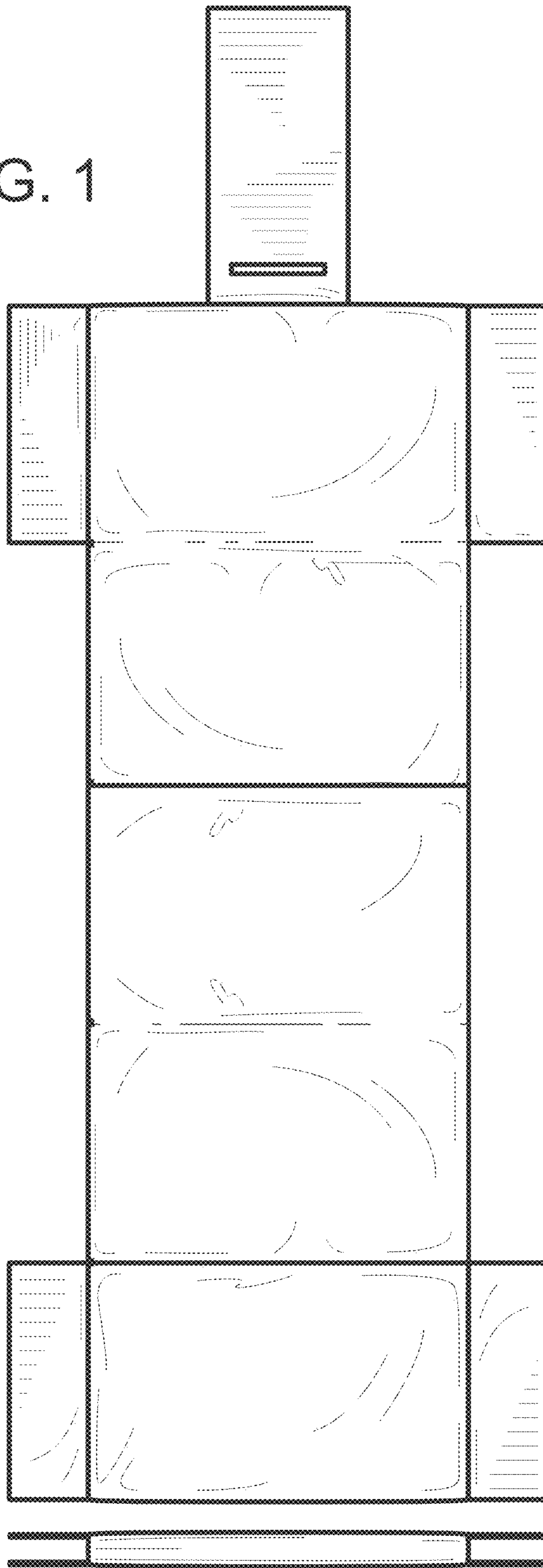


FIG. 2



FIG. 3

FIG. 4

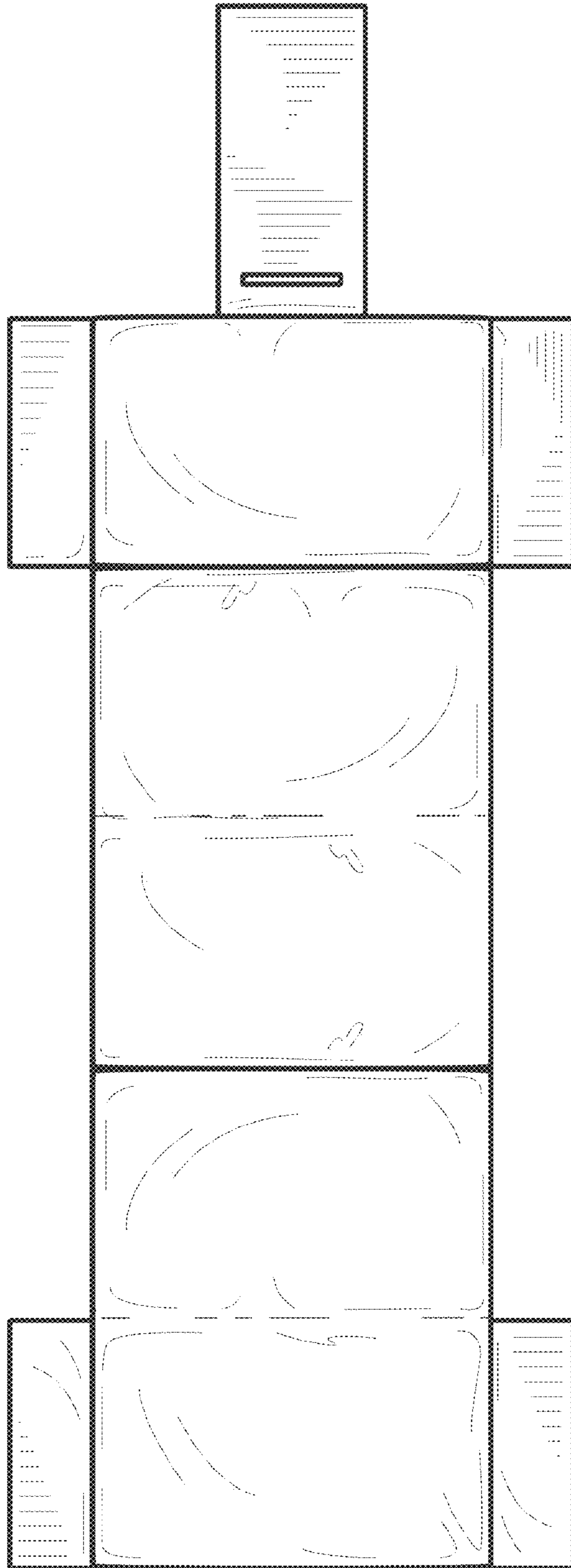


FIG. 6



FIG. 5

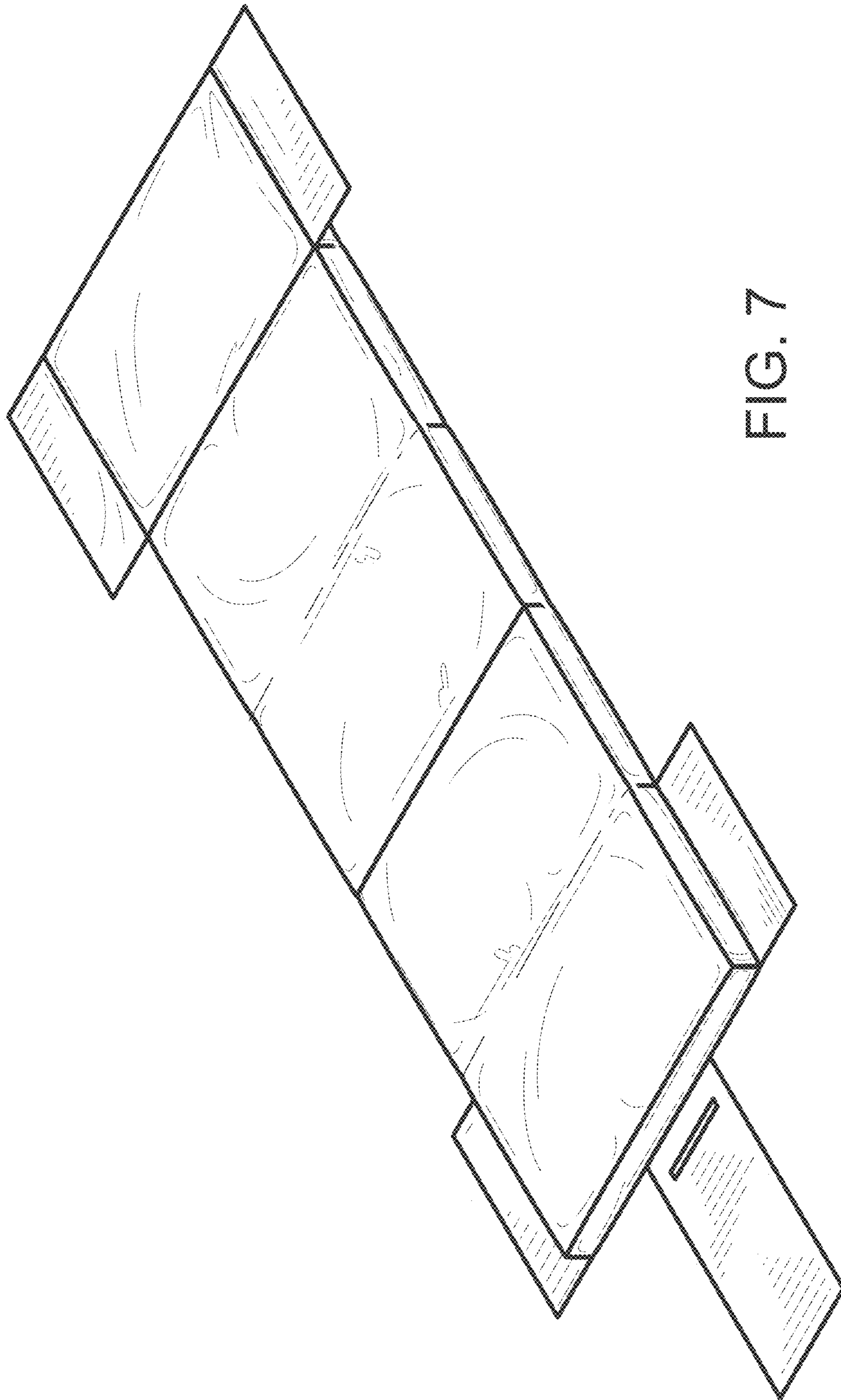


FIG. 7

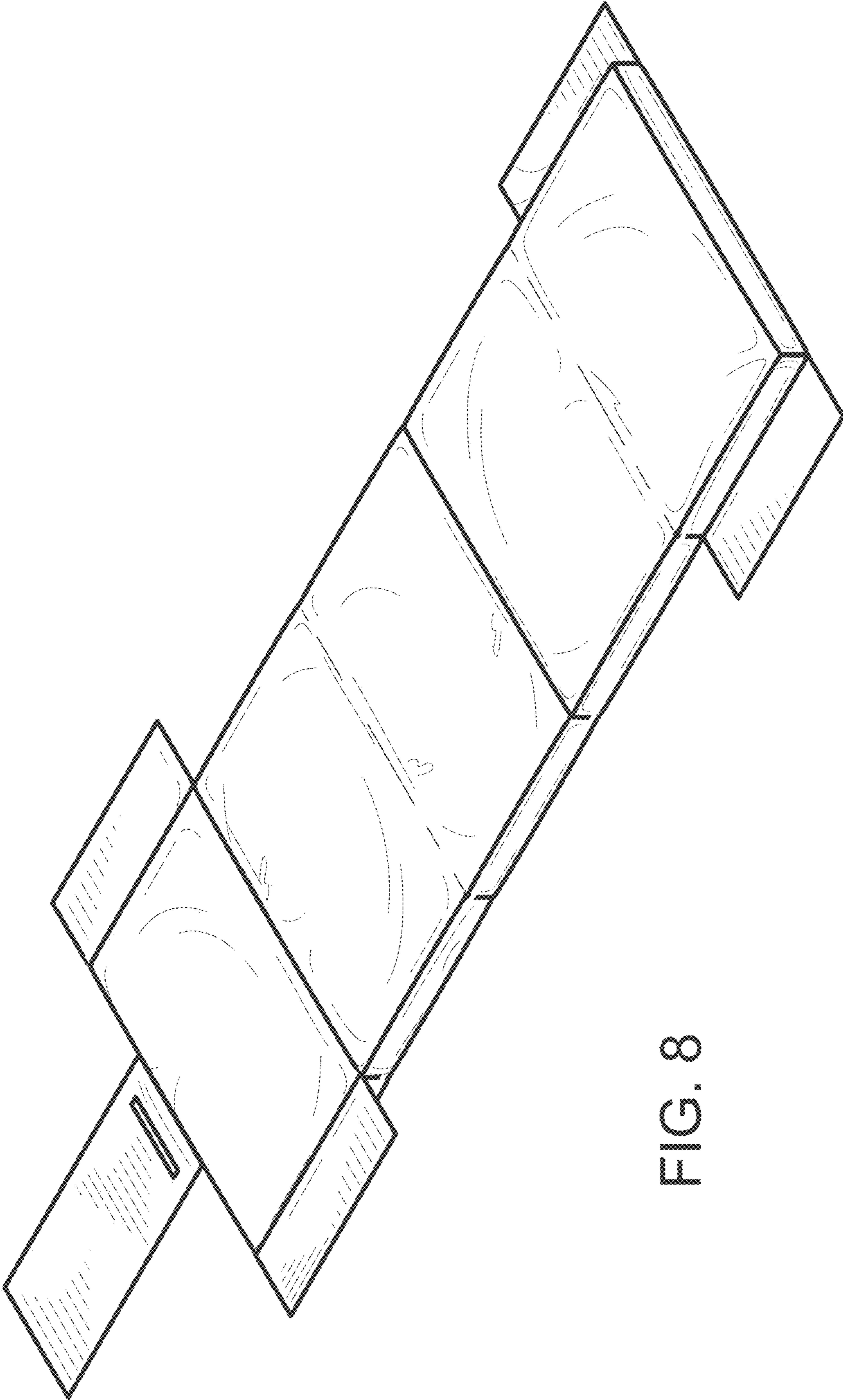


FIG. 8

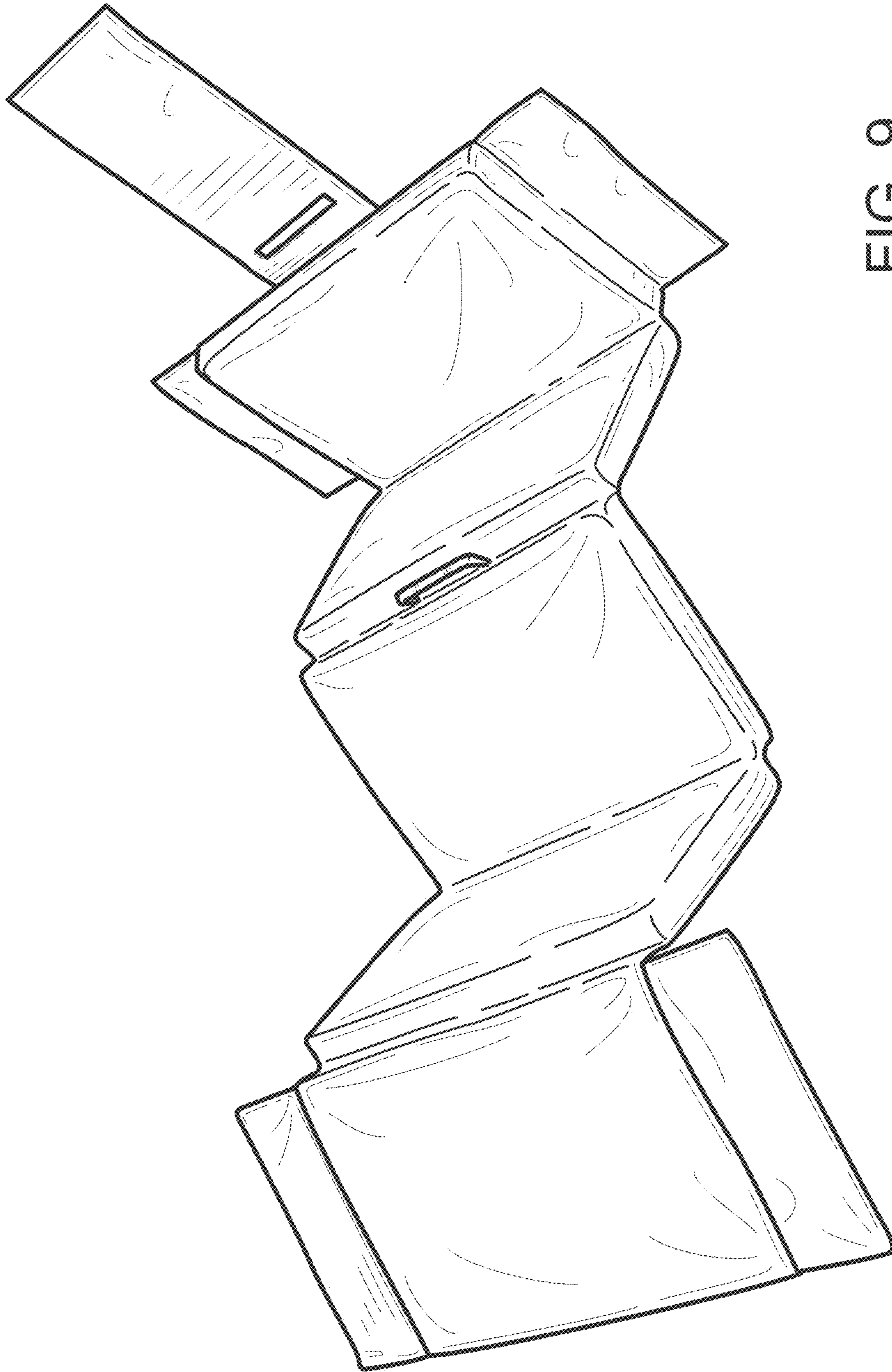


FIG. 9



FIG. 10

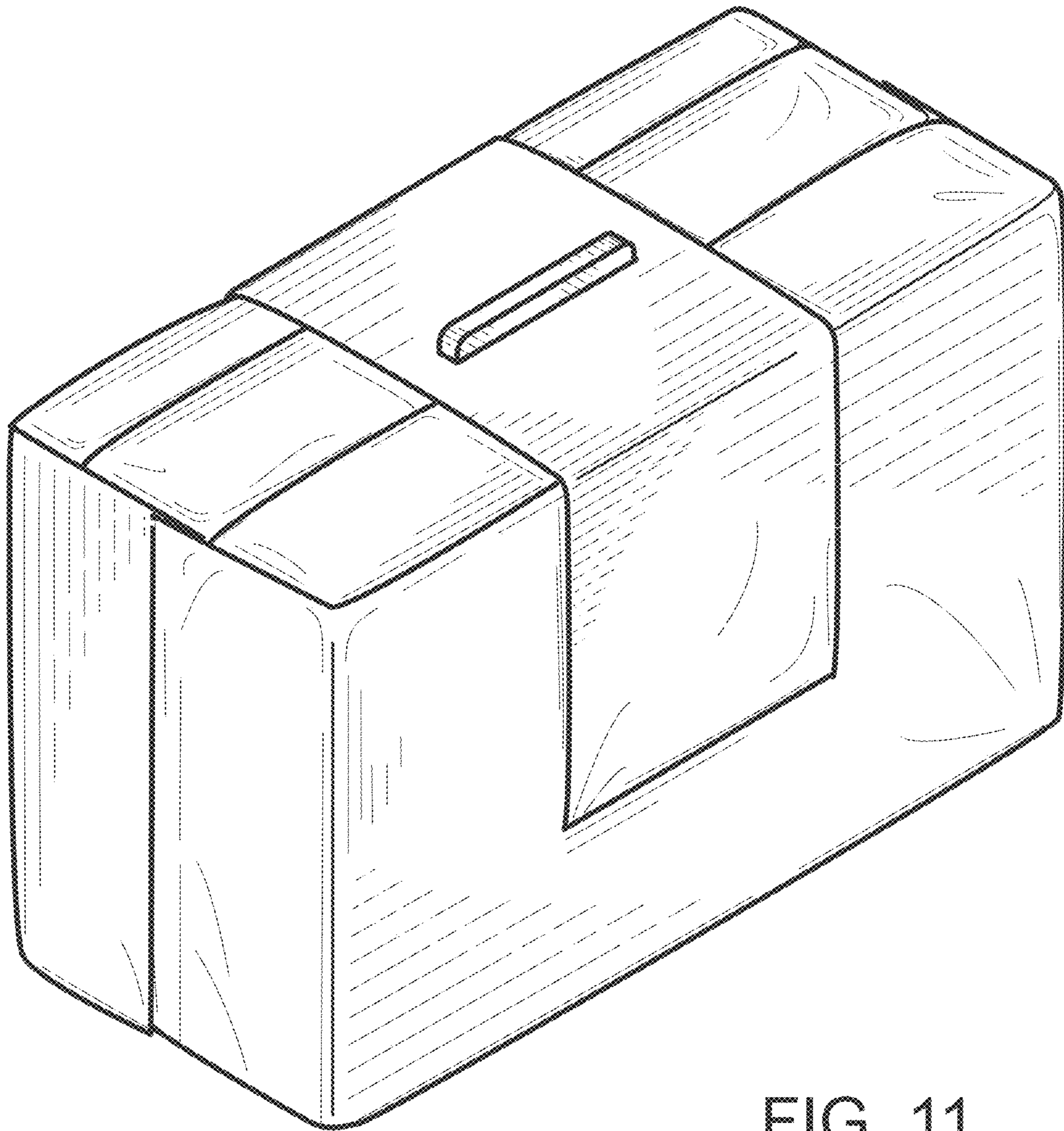


FIG. 11

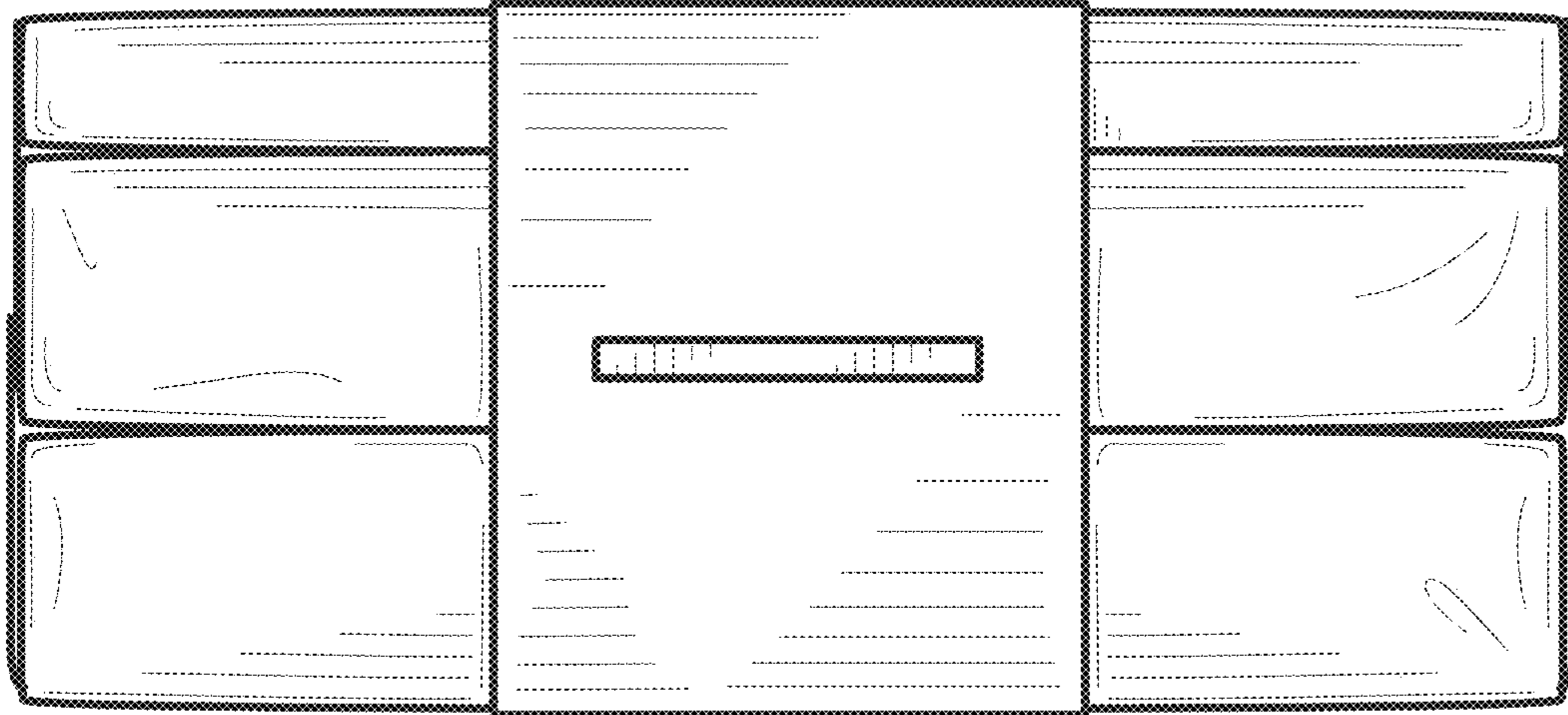


FIG. 12

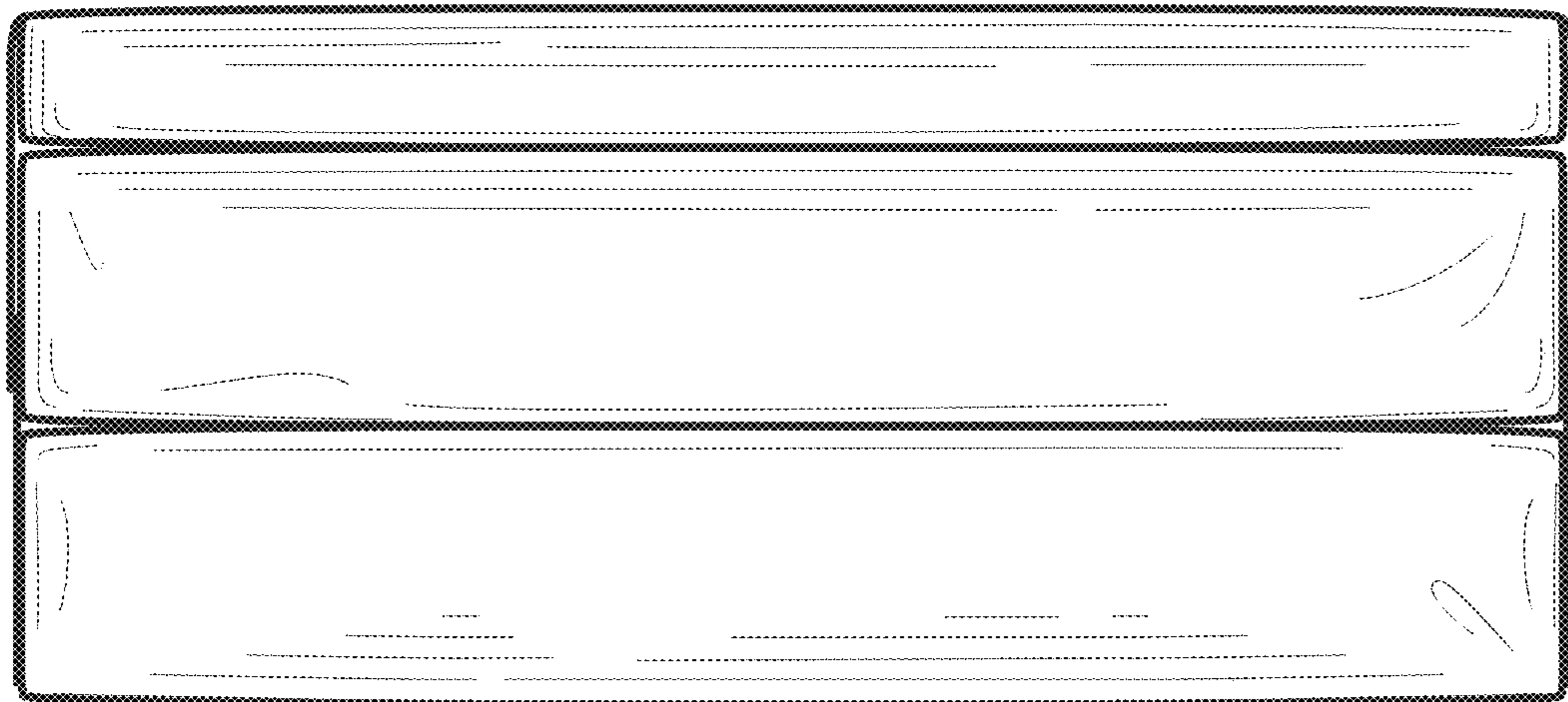


FIG. 13

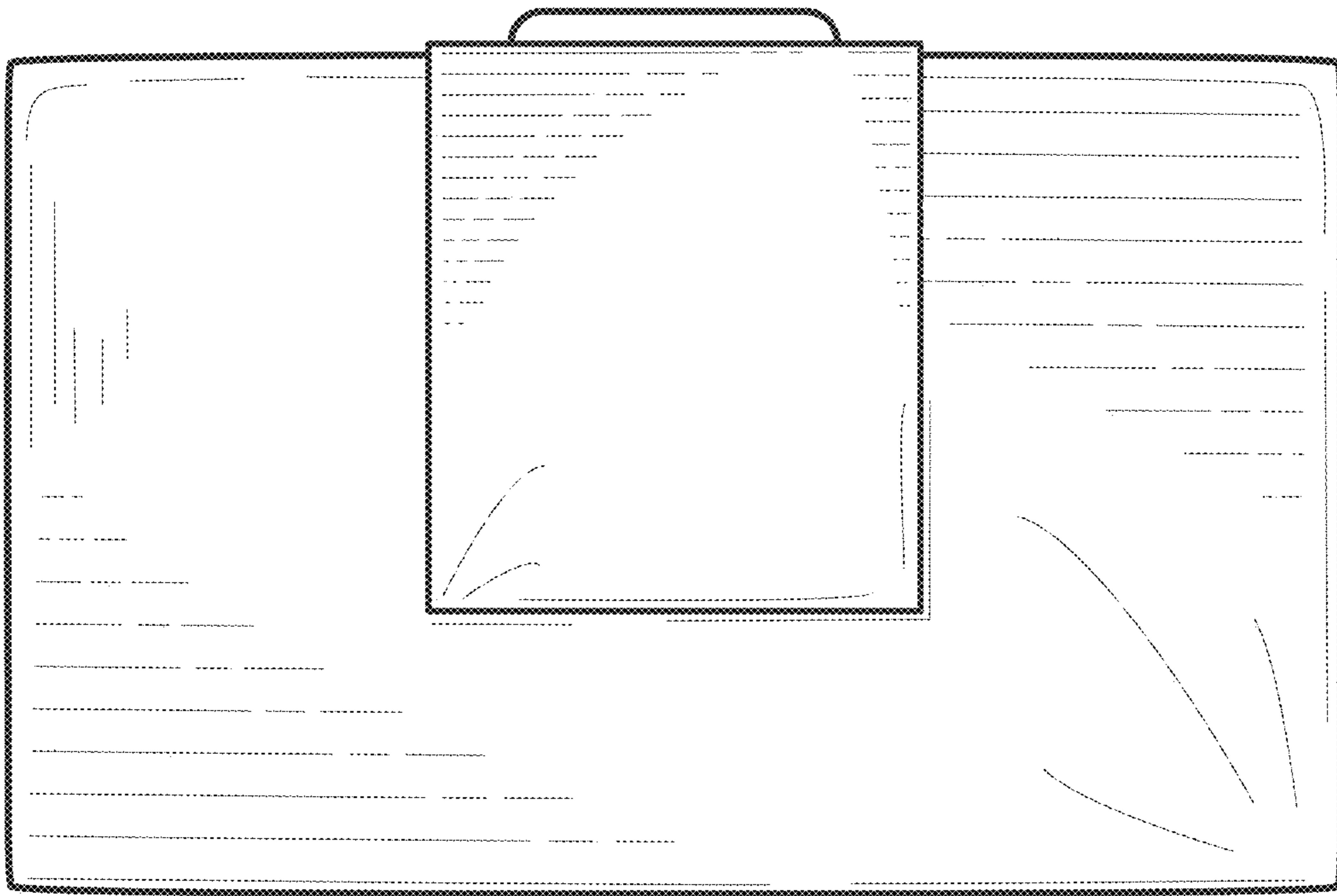


FIG. 14

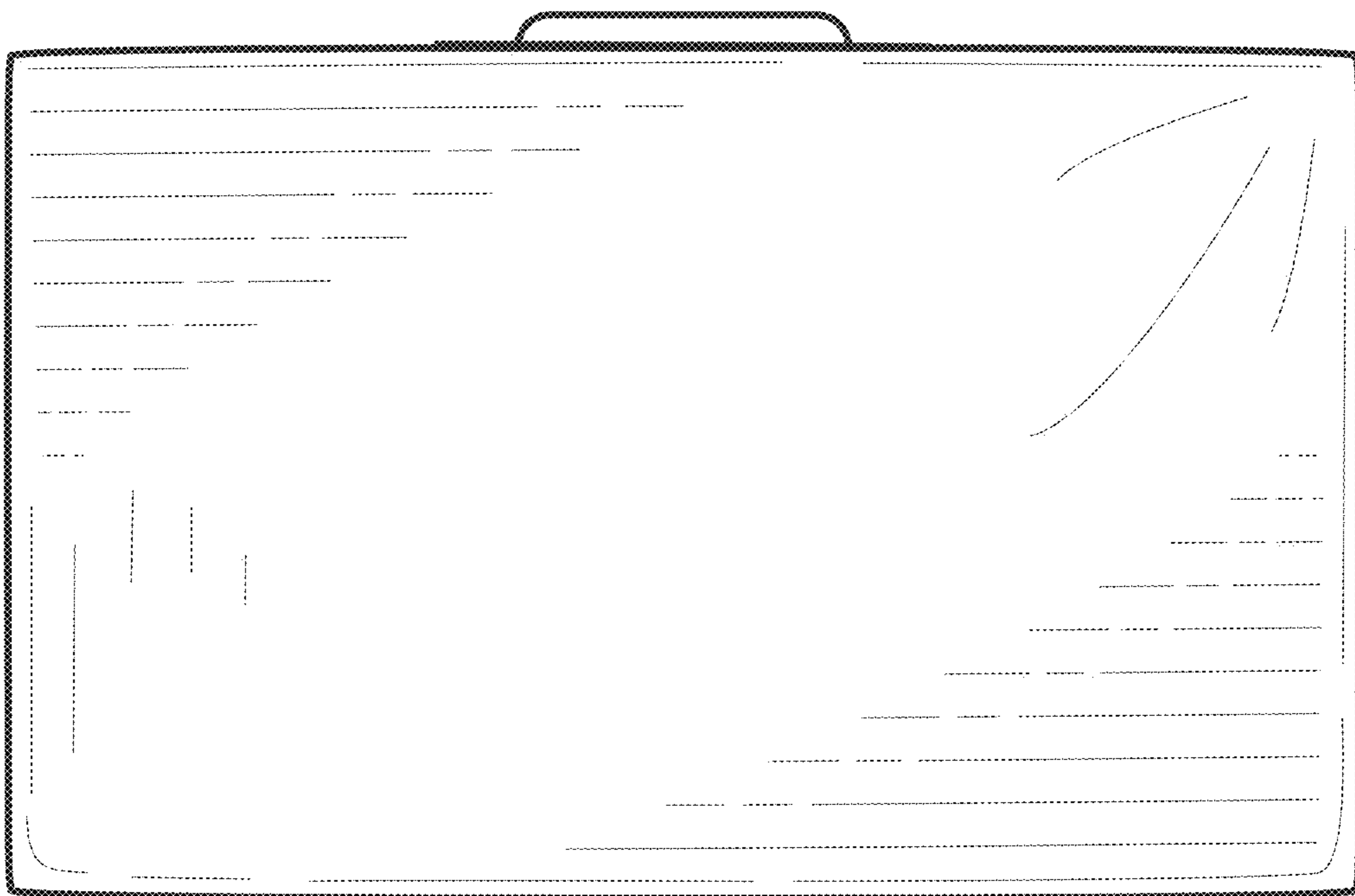


FIG. 15

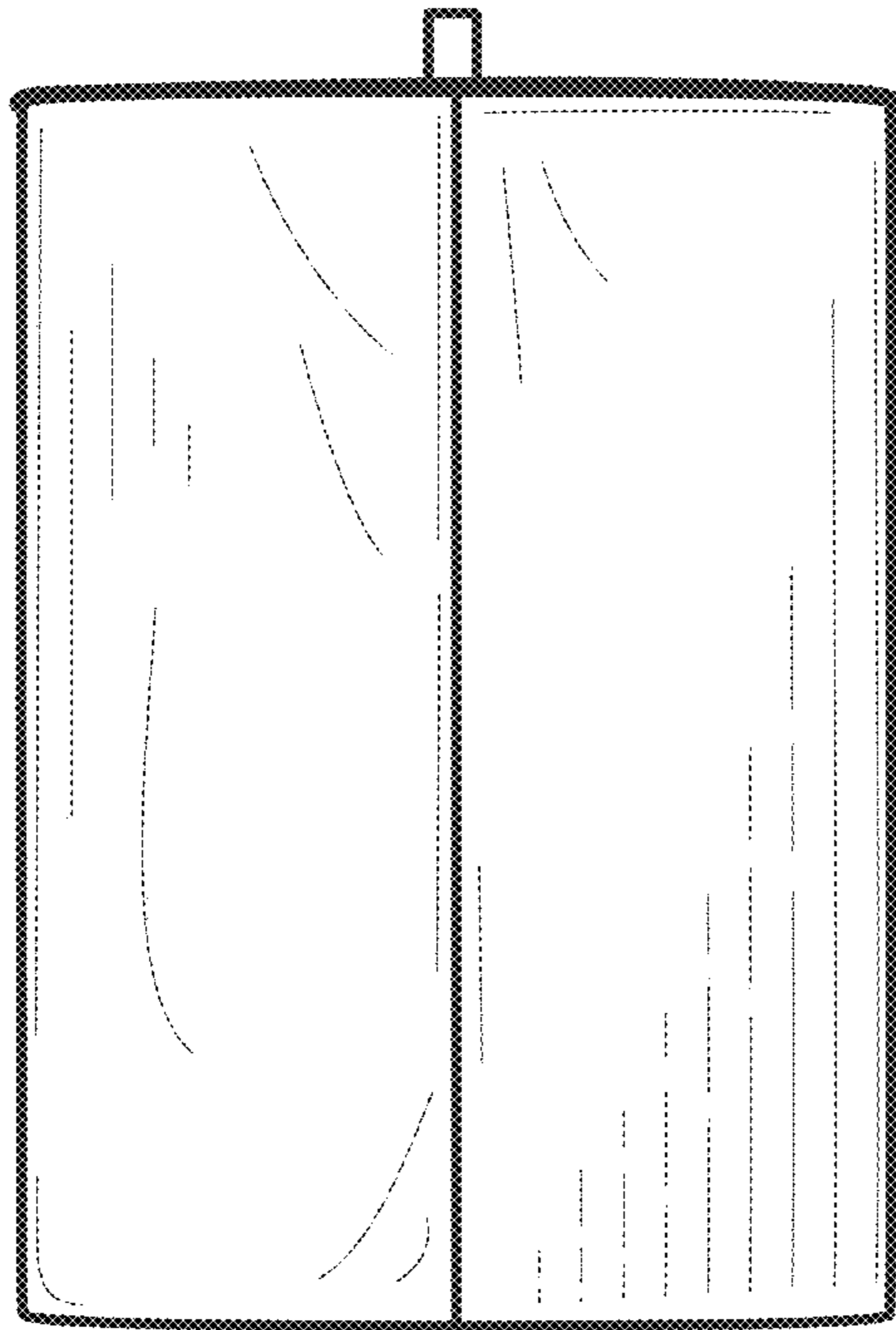


FIG. 16

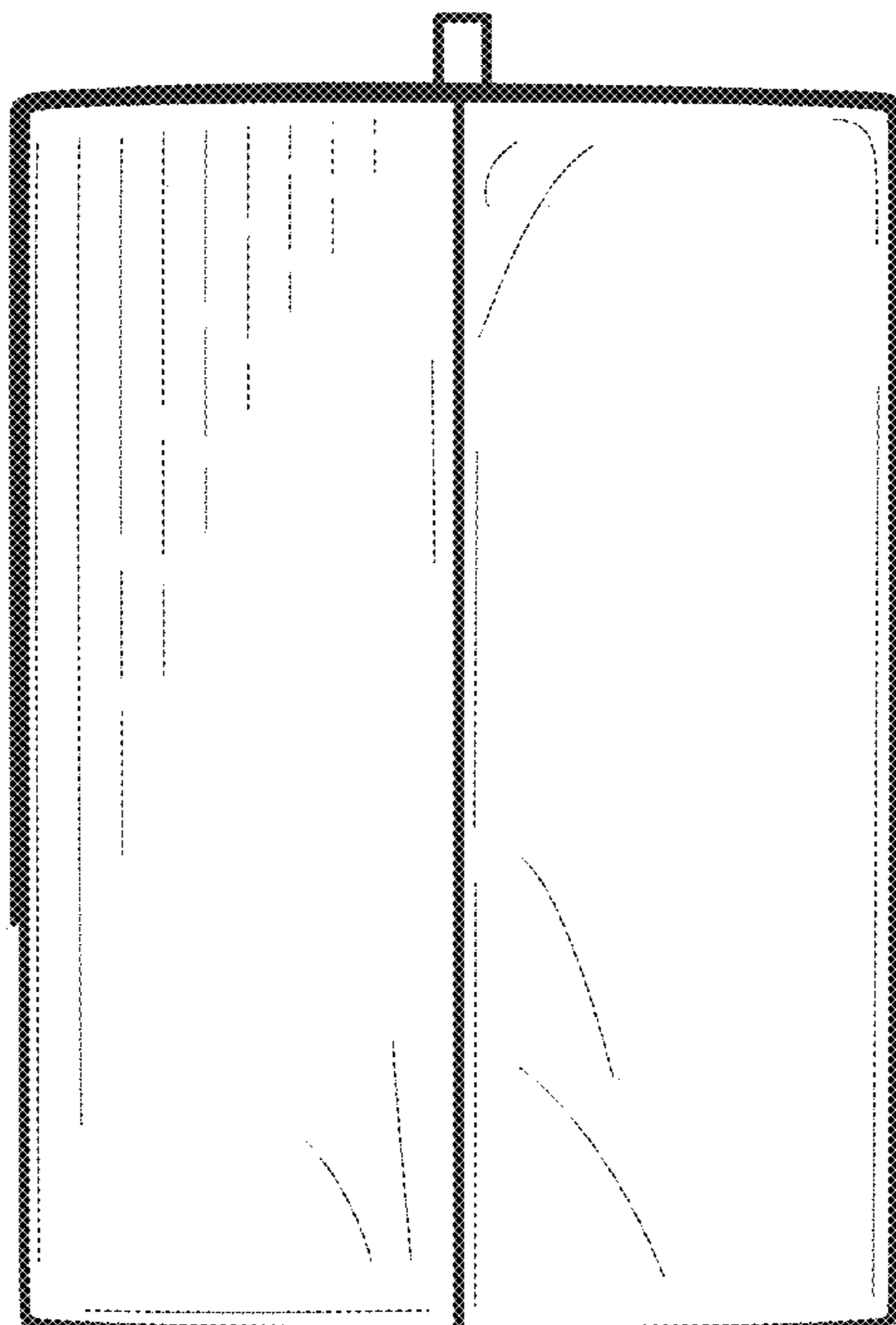


FIG. 17