



US00D880190S

(12) **United States Design Patent** (10) **Patent No.:** **US D880,190 S**  
**Williams et al.** (45) **Date of Patent:** **\*\* Apr. 7, 2020**

- (54) **CHARGING SHELF**
- (71) Applicant: **Tech Shelf, LLC**, Spartanburg, SC (US)
- (72) Inventors: **Jack D. Williams**, Talbott, TN (US);  
**Grant M. Wollam**, Leesburg, GA (US)
- (73) Assignee: **Tech Shelf, LLC**, Spartanburg, SC (US)
- (\*\*) Term: **15 Years**
- (21) Appl. No.: **29/655,394**
- (22) Filed: **Jul. 3, 2018**
- (51) **LOC (12) Cl.** ..... **06-04**
- (52) **U.S. Cl.**  
USPC ..... **D6/553; D14/253**
- (58) **Field of Classification Search**  
USPC ..... D6/320, 540, 552, 553, 555, 567, 574,  
D6/641, 642, 653.17, 654.17, 655.17,  
D6/656, 681, 705; D14/217, 251, 253  
CPC ..... A47B 83/00; A47B 83/001; A47B 5/00;  
A47B 5/006; A47B 57/00; A47B 57/30;  
A47B 57/54; A47B 87/02  
See application file for complete search history.

D377,432 S *	1/1997	McPeck	.....	D6/705
D784,745 S *	4/2017	Nilsson	.....	D6/705
D833,174 S *	11/2018	Belokin	.....	D6/574
D833,771 S *	11/2018	Gawlik	.....	D6/553
2019/0084461 A1*	3/2019	Le Corre	.....	B60N 3/001

**OTHER PUBLICATIONS**

Tech Shelf, posted at Facebook.com, posted on Nov. 6, 2018, site visited Jun. 27, 2019. online, available from internet: <https://www.facebook.com/techshelf.charging/photos/a.691453661201760/747904898889969/?type=3&theater> (Year: 2018).\*

\* cited by examiner

*Primary Examiner* — Mary Ann Calabrese

*Assistant Examiner* — Catherine Ho

(74) *Attorney, Agent, or Firm* — Burr & Forman LLP;  
Douglas L. Lineberry

(57) **CLAIM**

The ornamental design for a charging shelf, as shown and described.

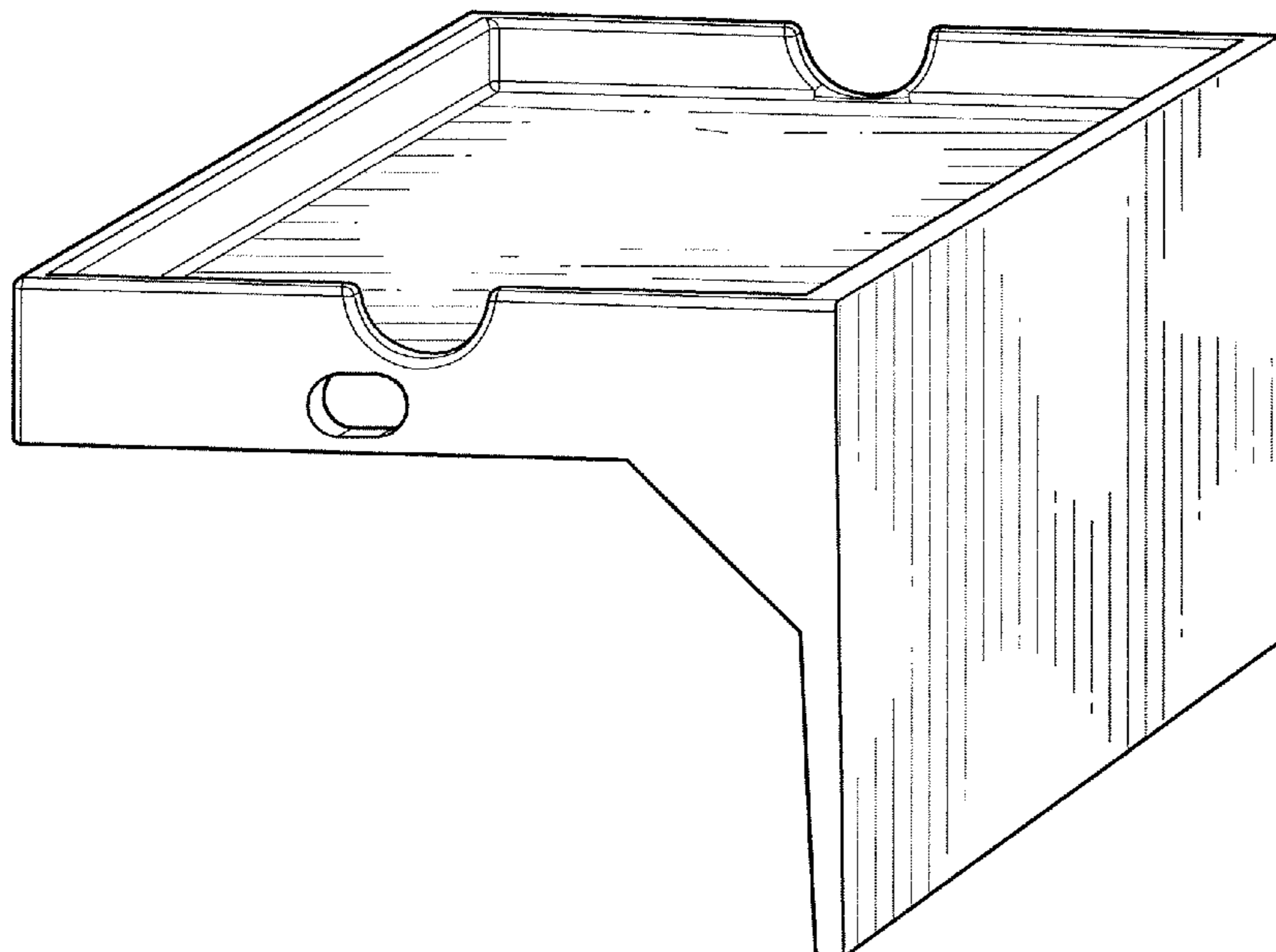
**DESCRIPTION**

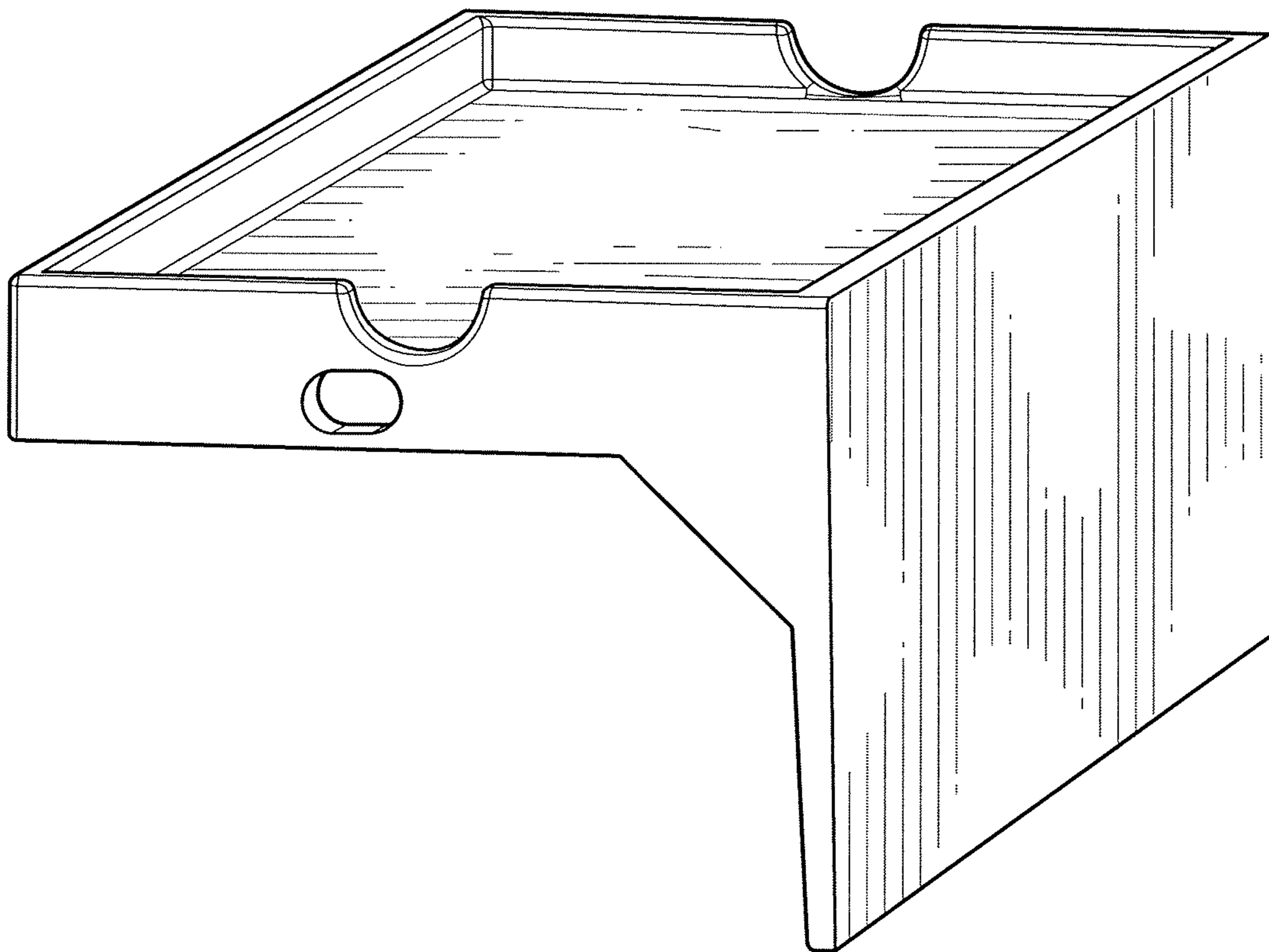
FIG. 1 is a front top perspective view of the charging shelf, showing our new design;  
FIG. 2 is a front view thereof;  
FIG. 3 is a back view thereof;  
FIG. 4 is a left view thereof;  
FIG. 5 is a right view thereof;  
FIG. 6 is a top view thereof;  
FIG. 7 is a bottom view thereof;  
FIG. 8 is a back view thereof with alternative environment; and,  
FIG. 9 is a bottom view thereof with alternative environment.  
The broken line portion of the figure drawings is included to show environment that forms no part of the claimed design.

**1 Claim, 5 Drawing Sheets**

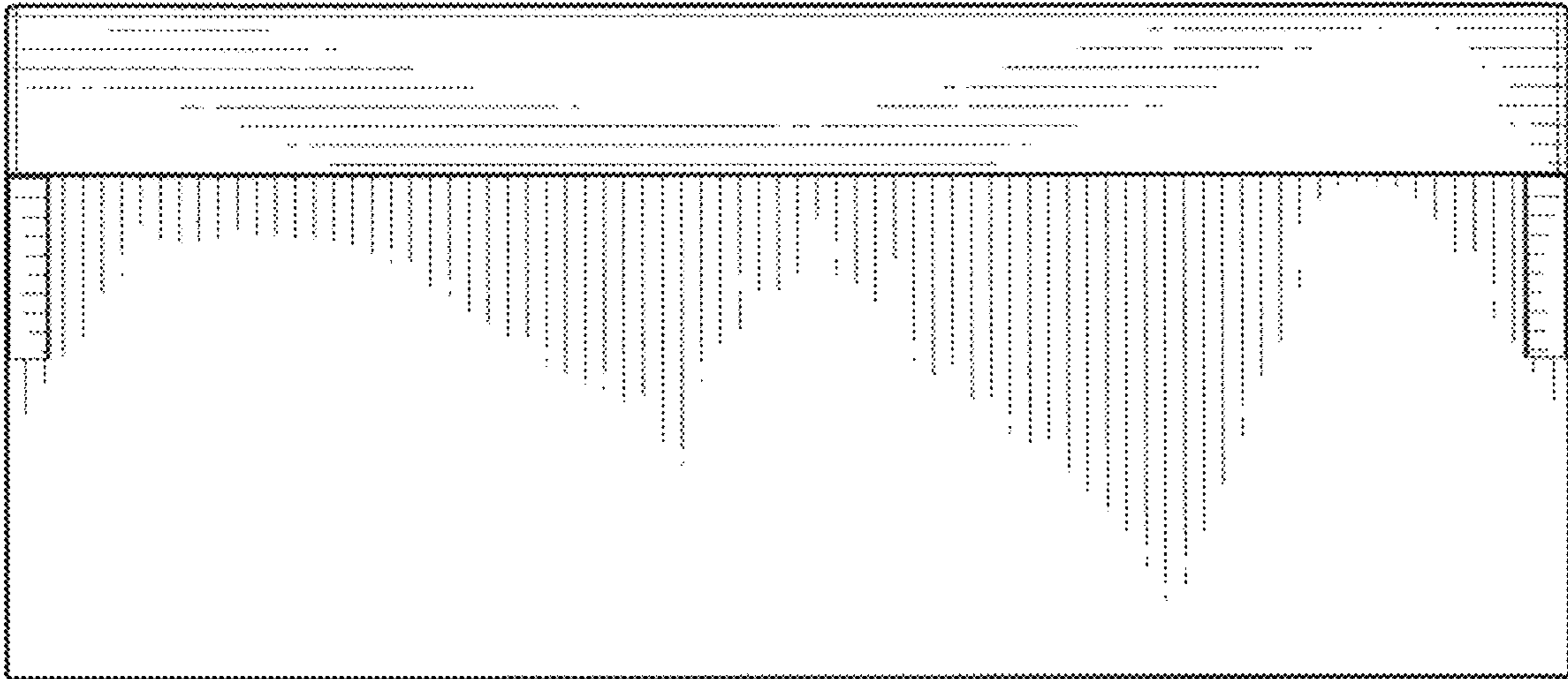
(56) **References Cited**  
U.S. PATENT DOCUMENTS

D160,279 S *	9/1950	Sindler	.....	D6/540
3,047,157 A *	7/1962	Bergman	.....	A47B 87/02 206/509
3,574,434 A *	4/1971	Propst	.....	A47B 5/00 312/245
D274,105 S *	6/1984	Brescia	.....	D6/555
D277,819 S *	3/1985	Crosslen	.....	D6/555
D293,531 S *	1/1988	Wright	.....	D6/705
D361,070 S *	8/1995	Wall	.....	D14/251
D365,105 S *	12/1995	Aubuchon	.....	D14/240

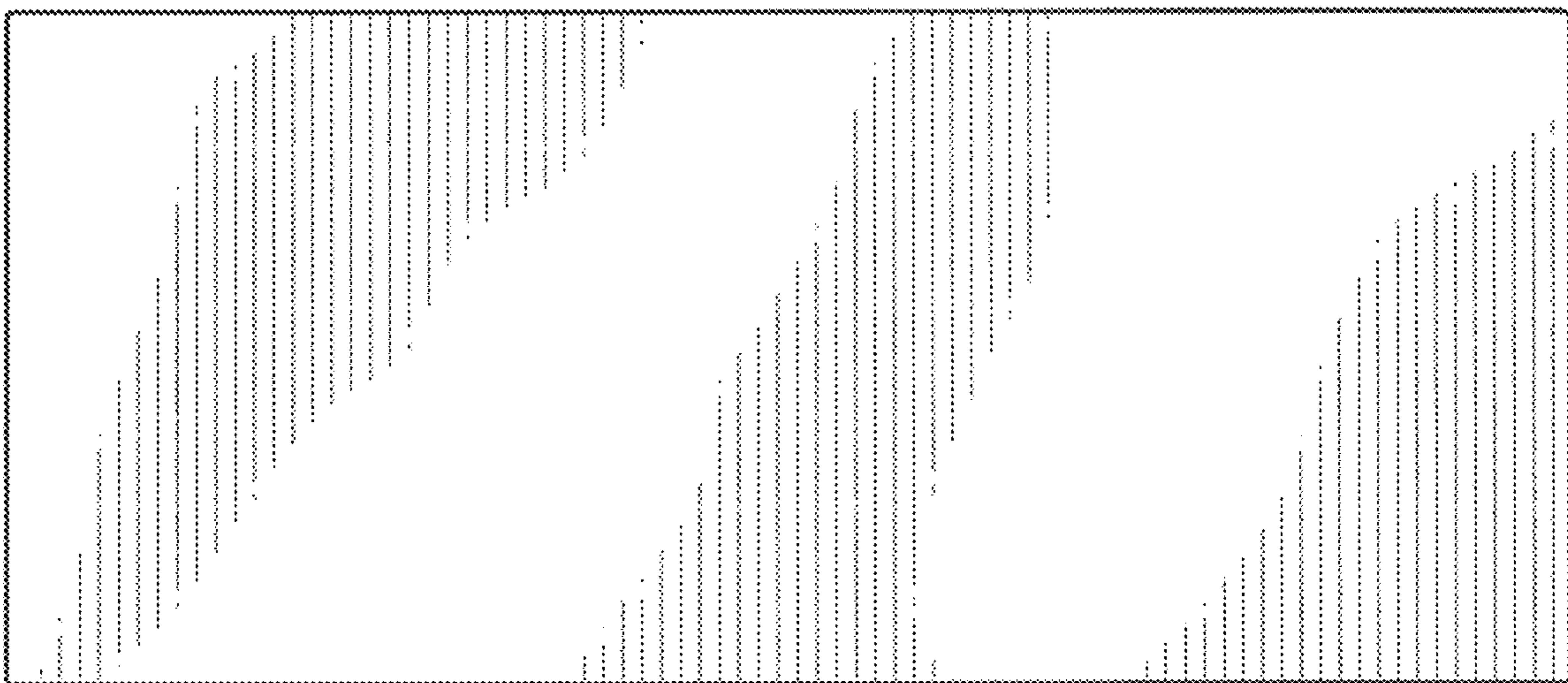




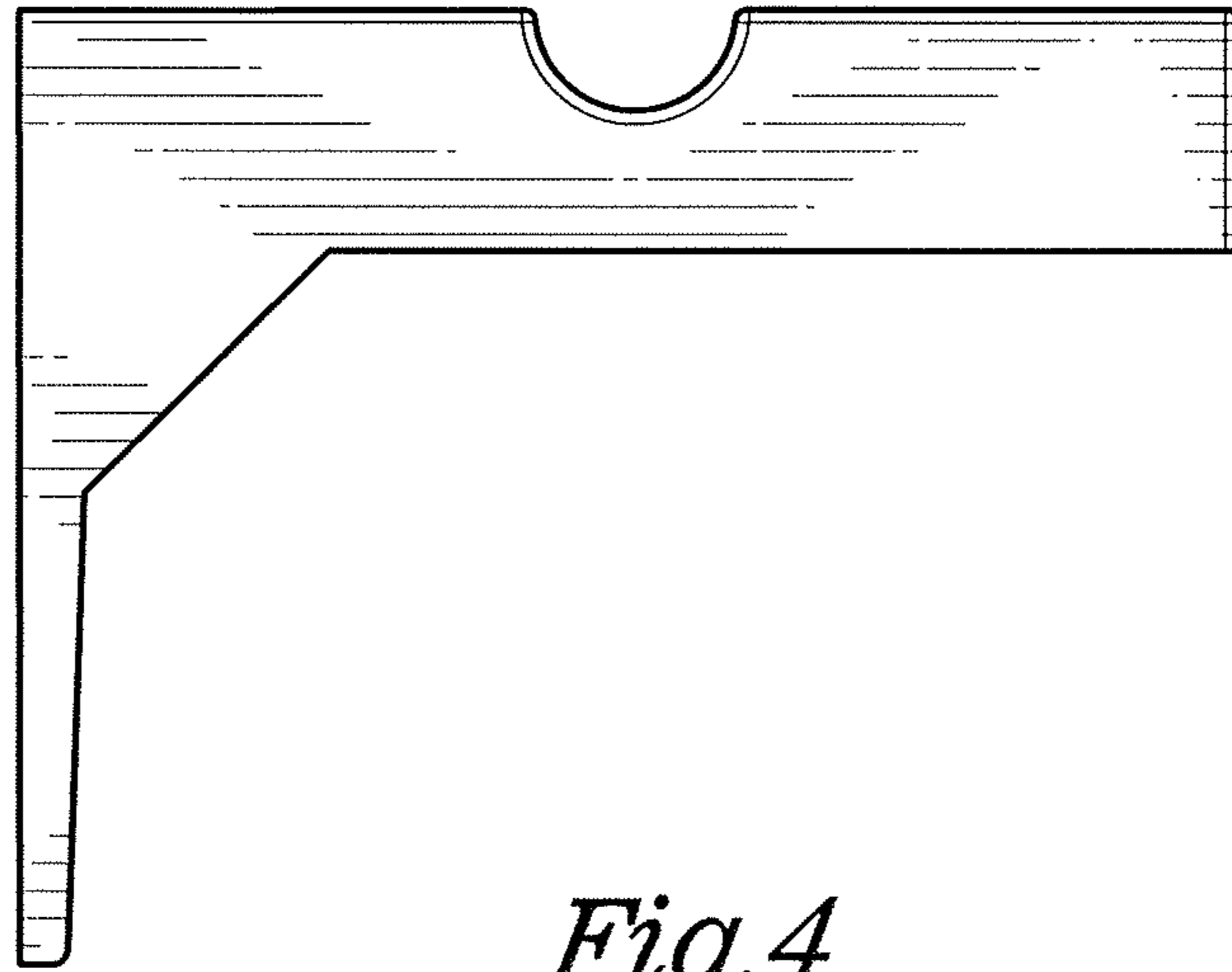
*Fig. 1*



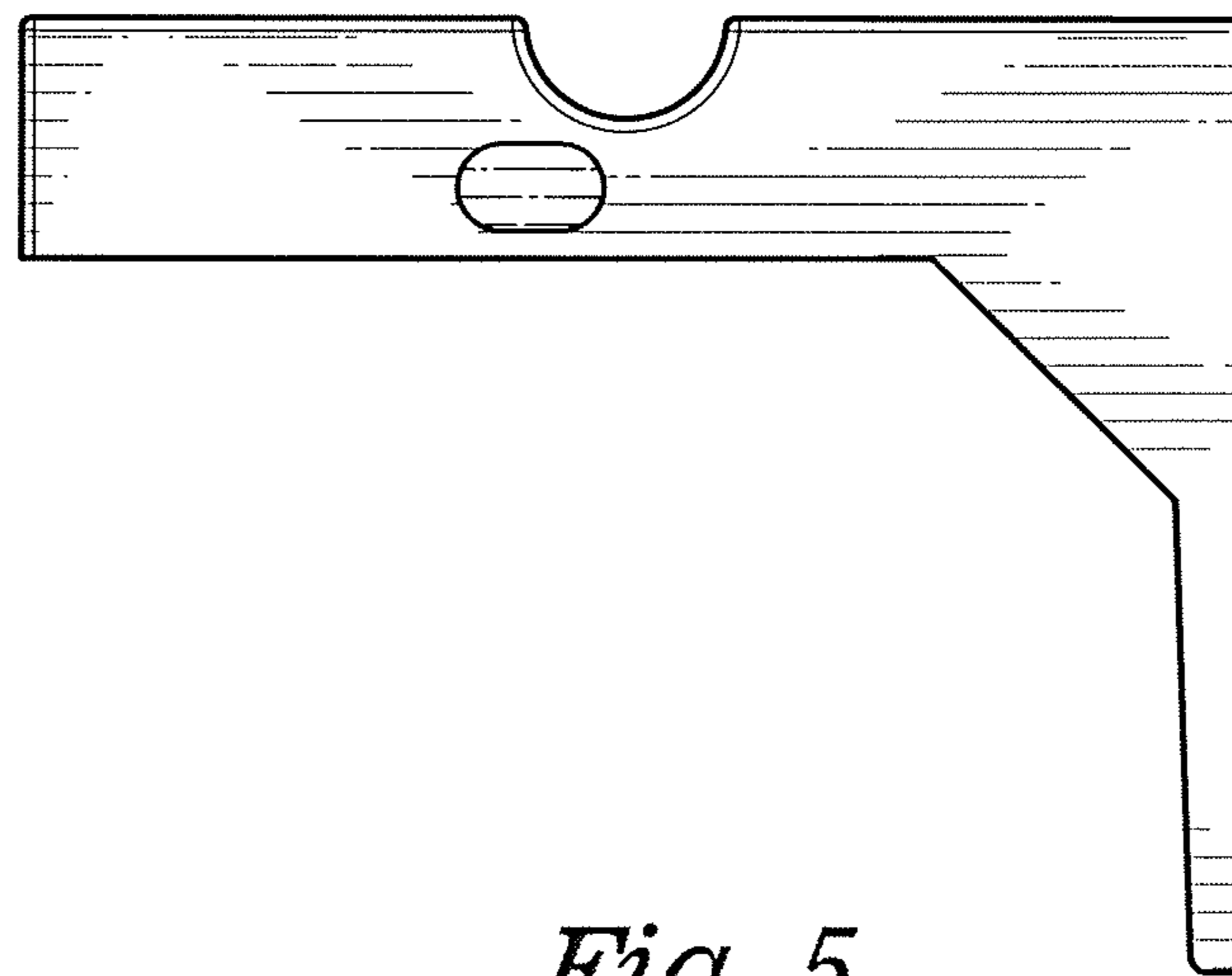
*Fig. 2*



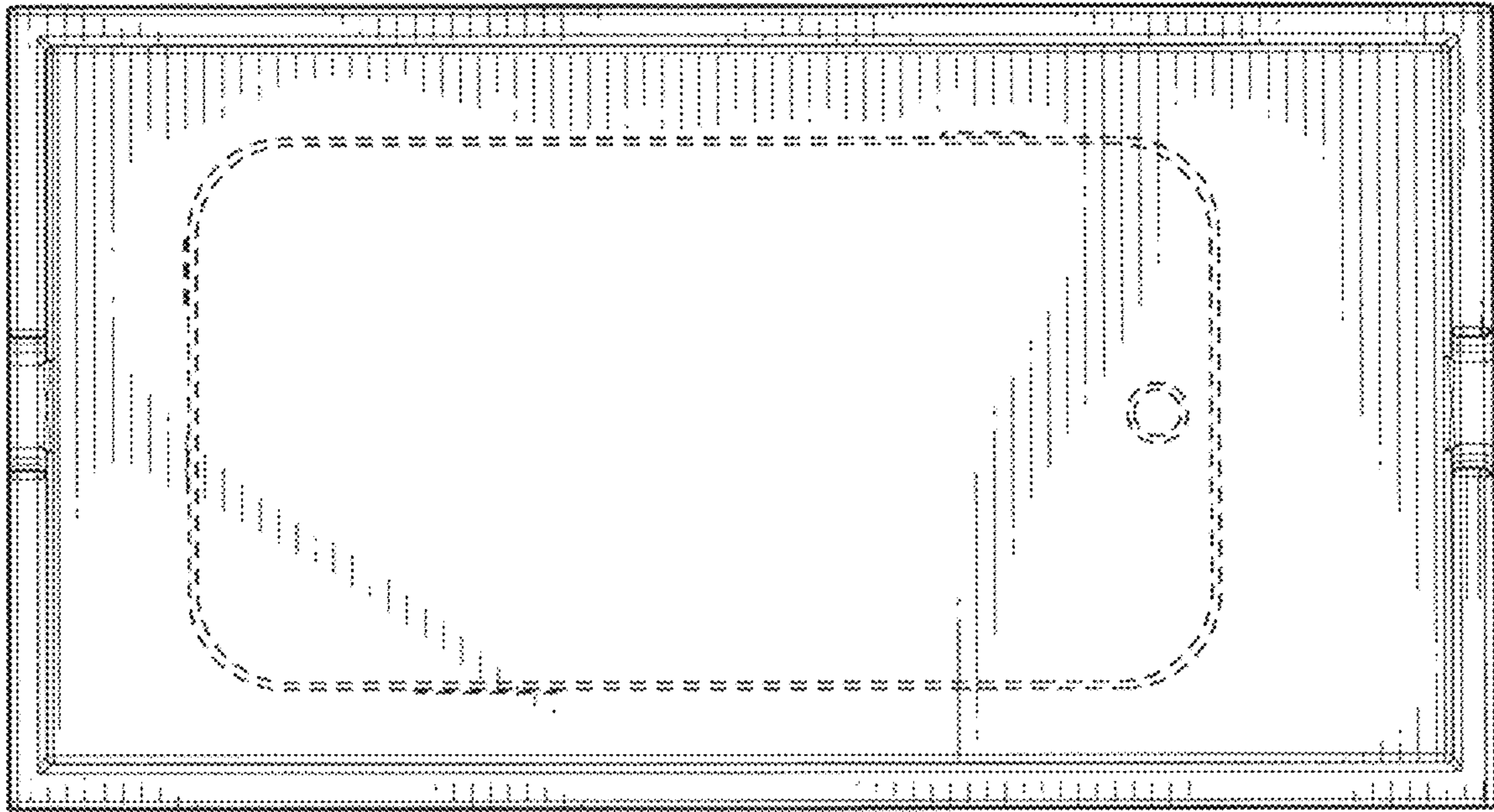
*Fig. 3*



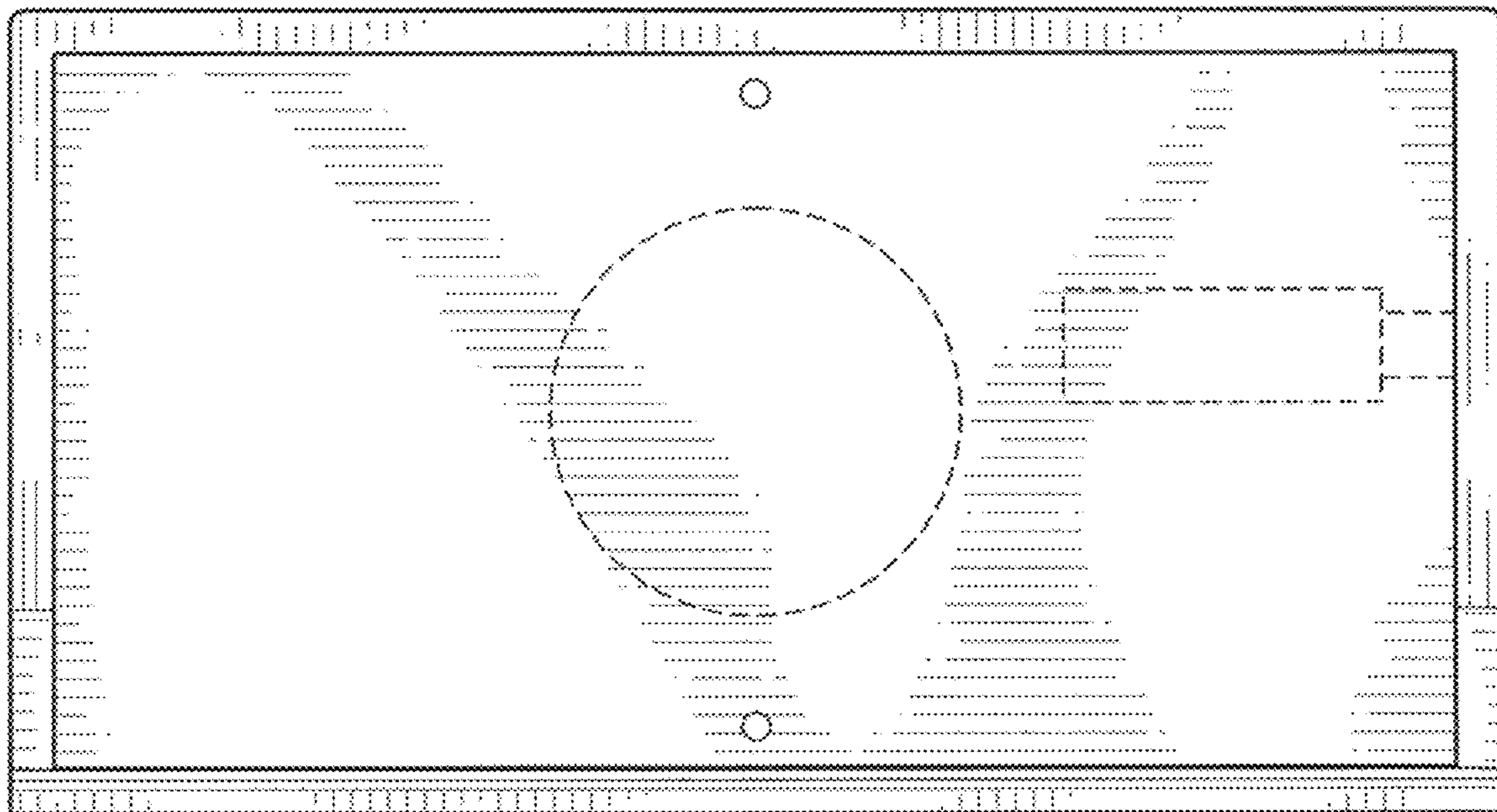
*Fig. 4*



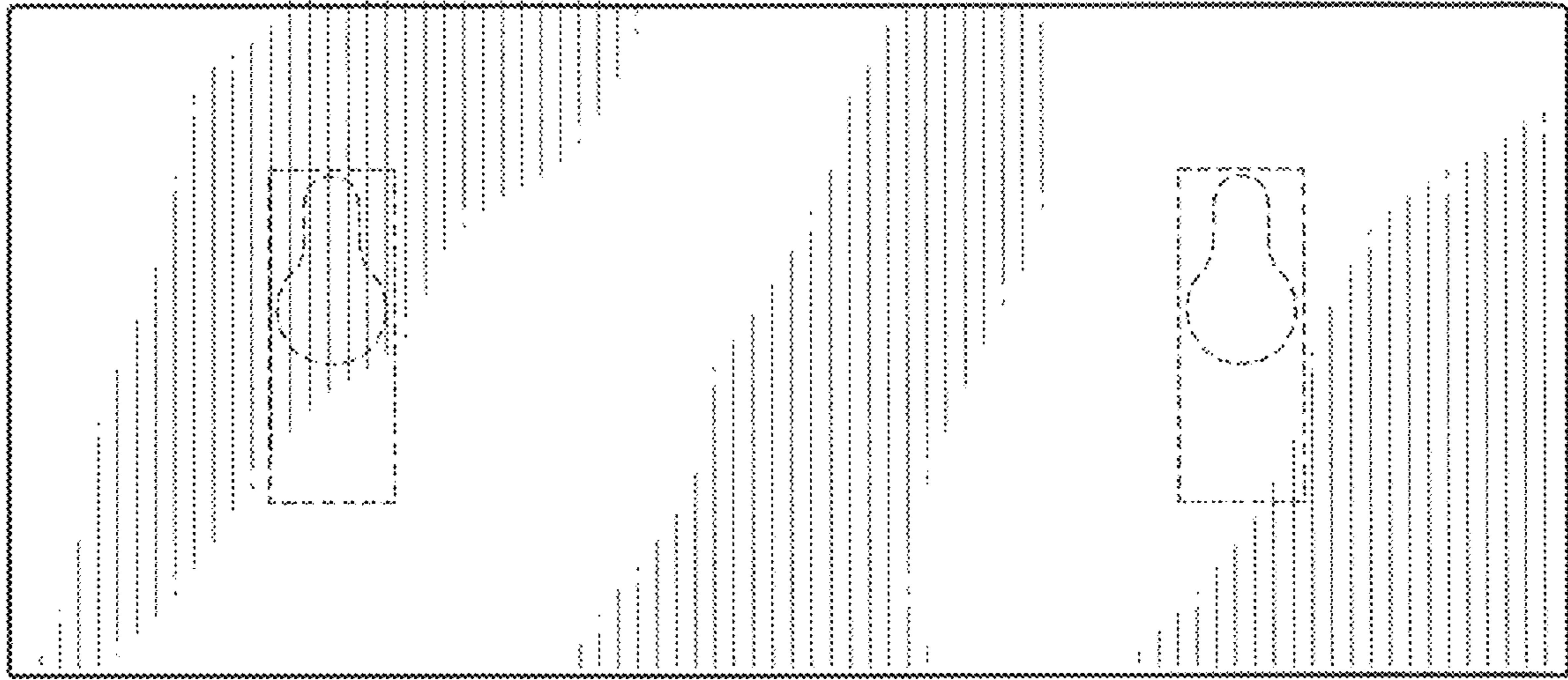
*Fig. 5*



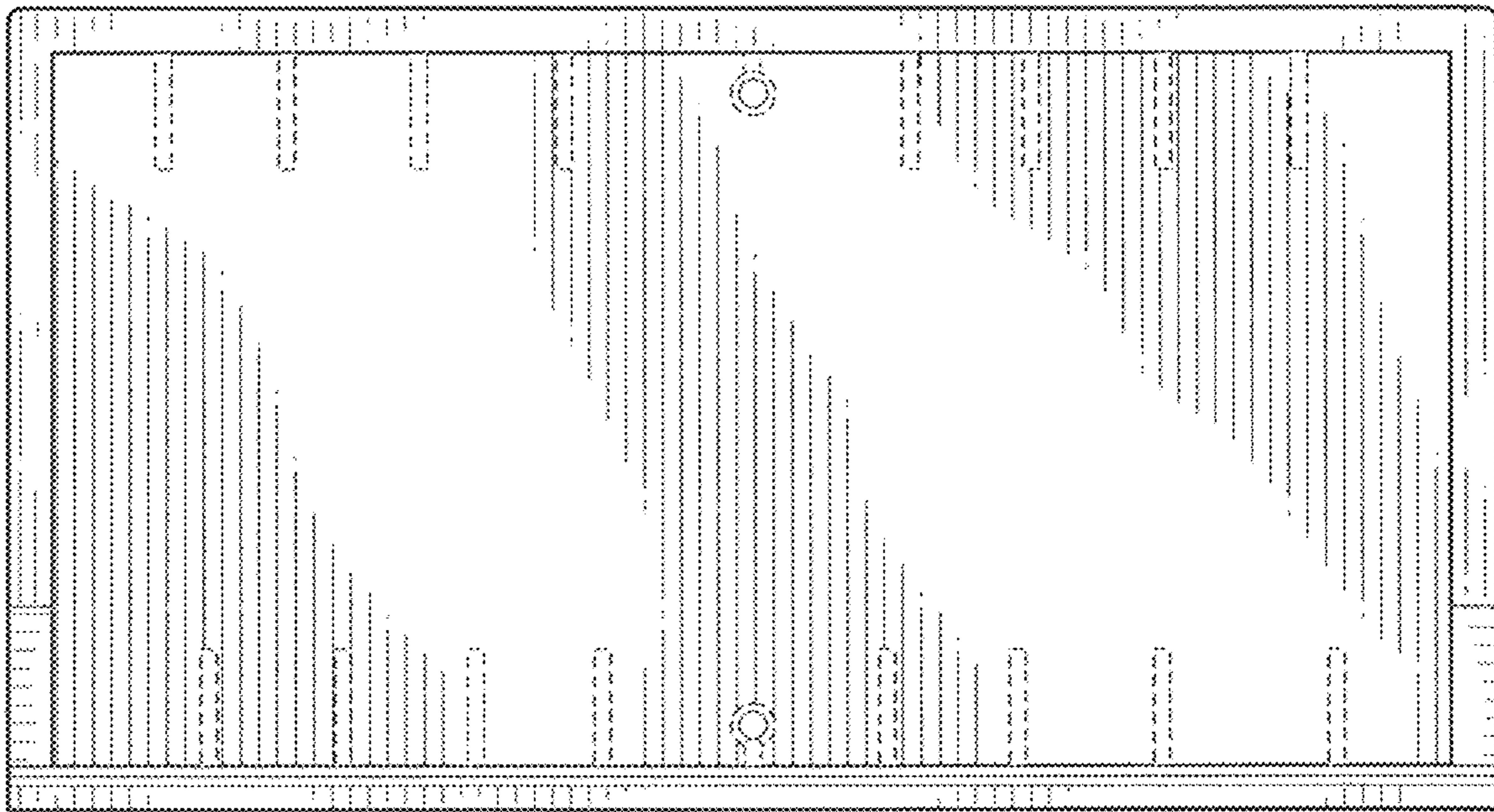
*Fig. 6*



*Fig. 7*



*Fig. 8*



*Fig. 9*