



US00D880187S

(12) **United States Design Patent** (10) **Patent No.:** **US D880,187 S**
Elliott (45) **Date of Patent:** **** Apr. 7, 2020**

(54) **OVER THE DOOR HOOK**
(71) Applicant: **Kenney Manufacturing Company**,
Warwick, RI (US)
(72) Inventor: **Timothy Elliott**, Attleboro, MA (US)
(73) Assignee: **Kenney Manufacturing Company**, RI
(US)
(**) Term: **15 Years**

D479,796 S	9/2003	Snell	
D480,624 S	10/2003	Dretzka	
D480,626 S	10/2003	Snell	
D483,655 S	12/2003	Dretzka	
D607,311 S *	1/2010	Snider	D8/367
D613,587 S	4/2010	Goodman et al.	
D616,232 S *	5/2010	Guindi	D6/514
D619,814 S	7/2010	Goodman et al.	
D707,538 S *	6/2014	Goodman	D8/372
D707,541 S	6/2014	Goodman et al.	
D707,542 S	6/2014	Goodman et al.	
D729,048 S	5/2015	Goodman et al.	
D816,467 S	5/2018	Goodman et al.	
2010/0224747 A1 *	9/2010	Adams	G09F 7/18 248/215

(21) Appl. No.: **29/670,428**
(22) Filed: **Nov. 15, 2018**
(51) **LOC (12) Cl.** **06-06**
(52) **U.S. Cl.**
USPC **D6/514**
(58) **Field of Classification Search**
USPC D6/514, 512-513, 553, 566, 567, 315,
D6/320, 327, 569; D8/349, 354, 367,
D8/372; D25/38; D26/51; 211/13.1, 30,
211/32, 56.01, 87.01, 70.6, 181.1;
248/301-304, 309.1, 309.2
CPC A47G 1/20; F16B 45/00; A47K 17/00;
A47K 3/281; A47K 3/001; B23P 17/04;
A47B 57/265; A47B 57/565; A47B 57/26
See application file for complete search history.

* cited by examiner

Primary Examiner — Wan Laymon
Assistant Examiner — Mark Booker
(74) *Attorney, Agent, or Firm* — Adler Pollock &
Sheehan P.C.

(57) **CLAIM**

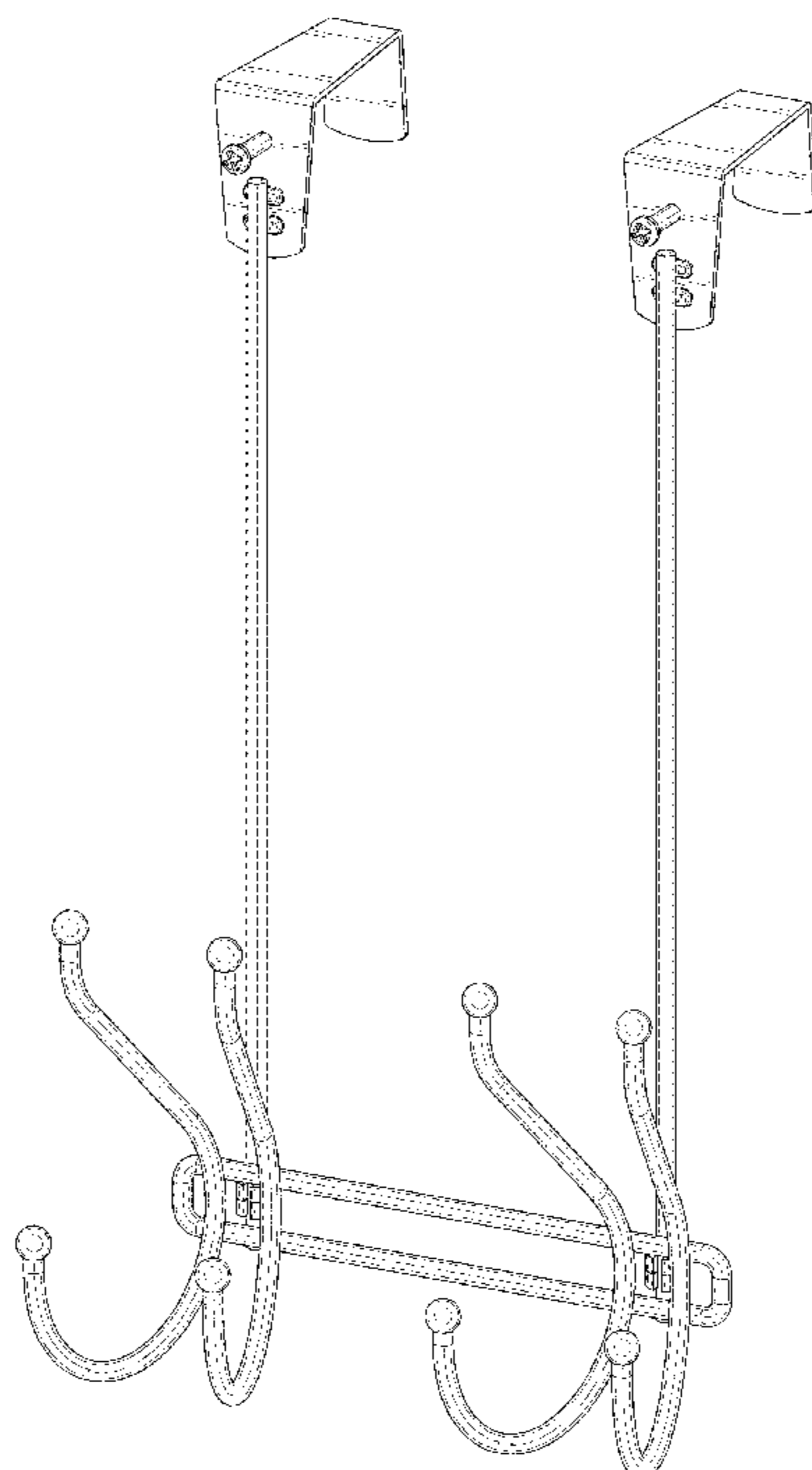
The ornamental design for an over the door hook, as shown and described.

DESCRIPTION

FIG. 1 is a right front perspective view of a over the door hook in accordance with the subject disclosure.
FIG. 2 is a front view thereof. Note the connectors at the end of each hook.
FIG. 3 is a rear view thereof.
FIG. 4 is a left side view thereof.
FIG. 5 is a right side view thereof.
FIG. 6 is a top view thereof; and,
FIG. 7 is a bottom view thereof.

(56) **References Cited**
U.S. PATENT DOCUMENTS
D317,742 S 6/1991 Miller
D326,564 S 6/1992 Emery
D390,012 S 2/1998 Goodman et al.
D433,316 S 11/2000 Snell
D456,695 S 5/2002 Goodman et al.

1 Claim, 6 Drawing Sheets



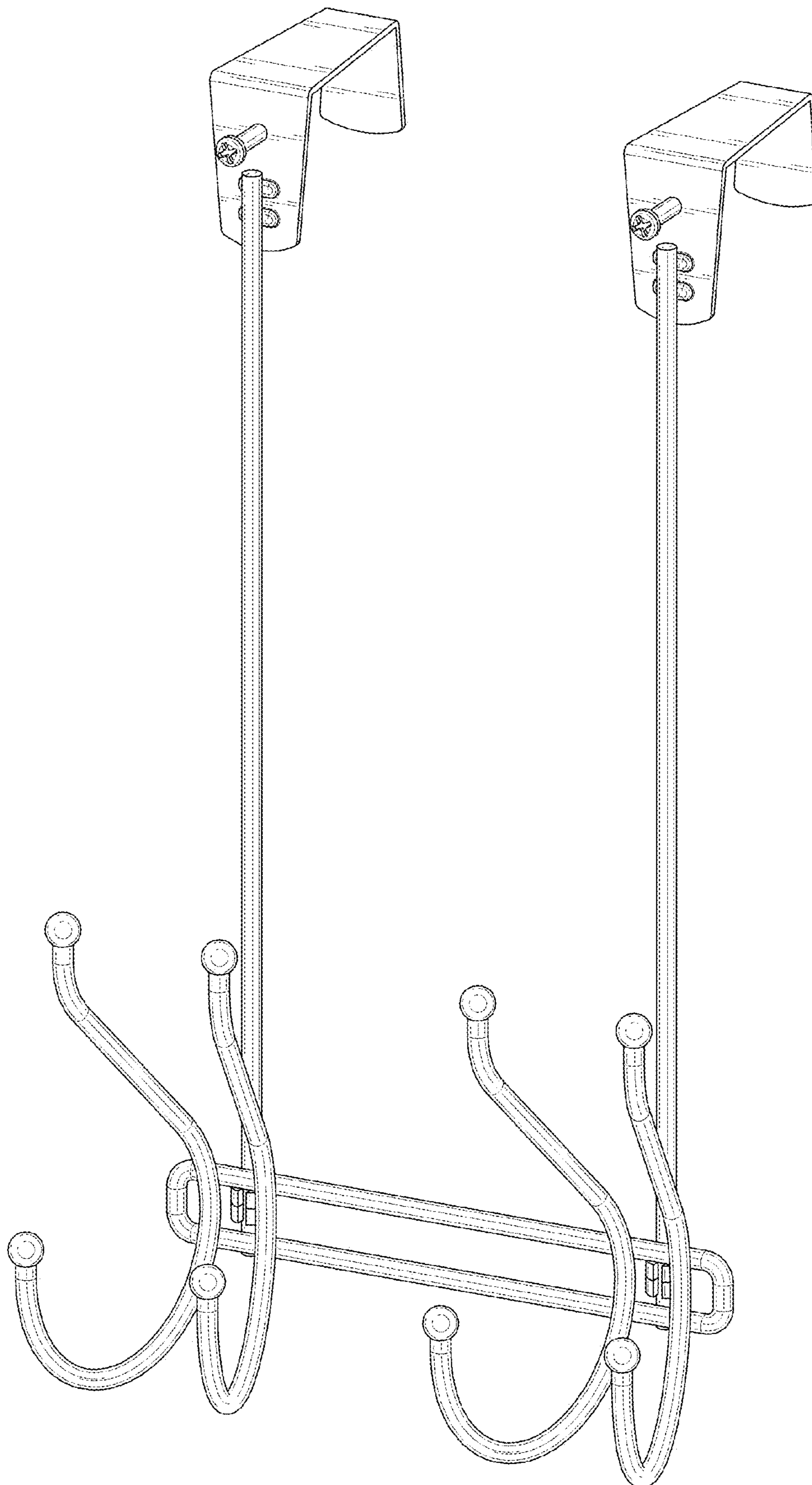


FIG. 1

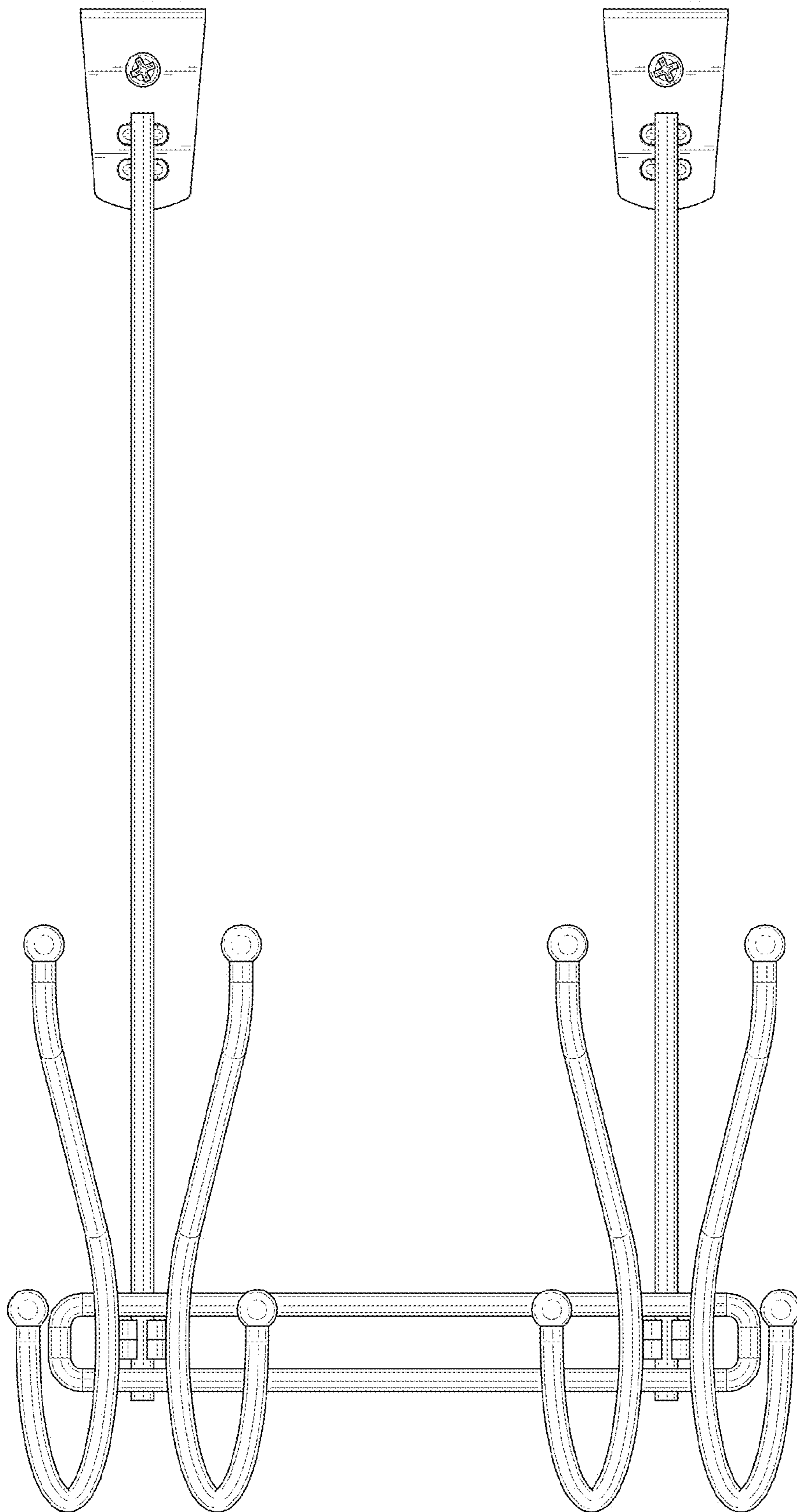


FIG. 2

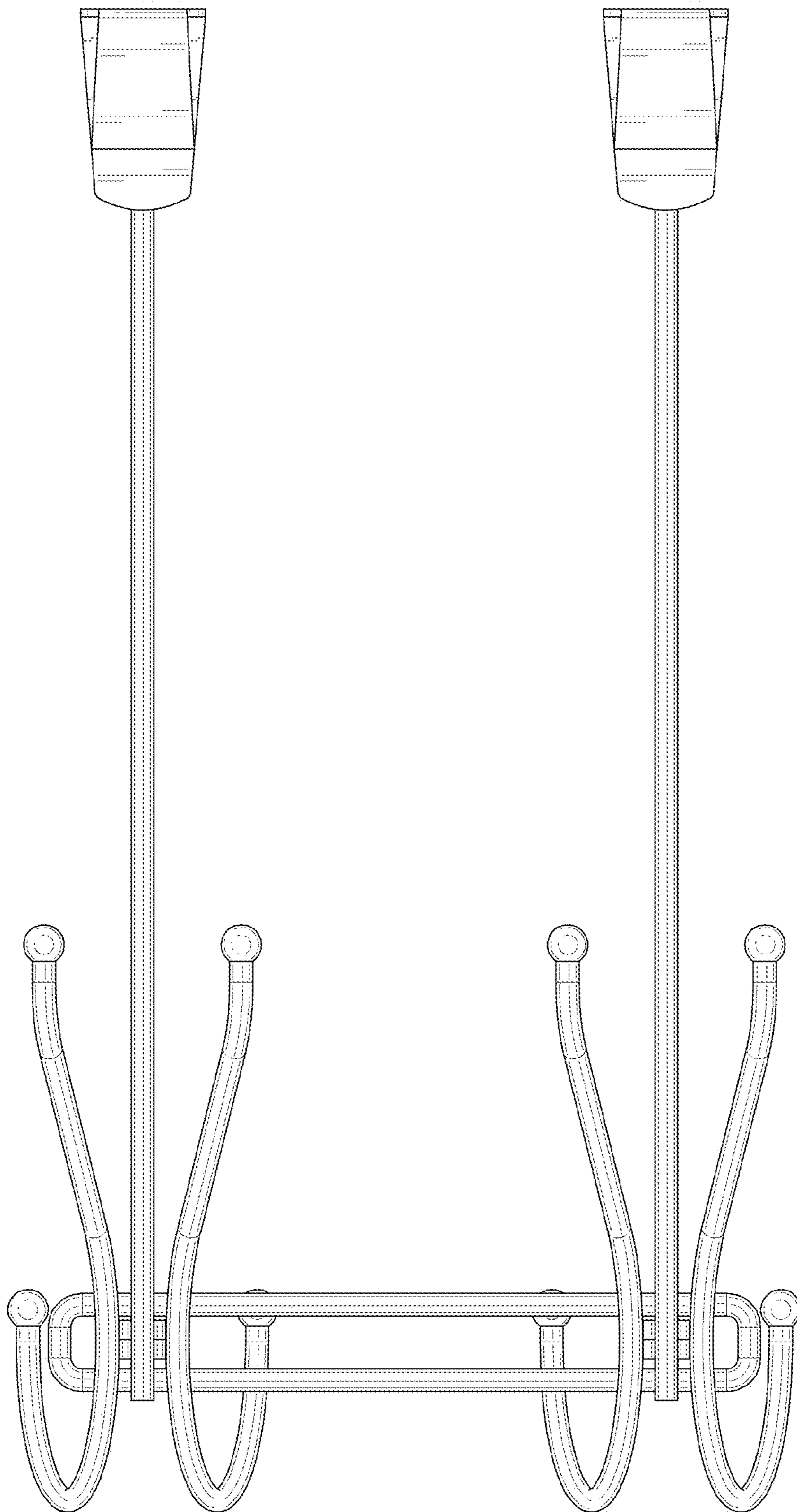


FIG. 3

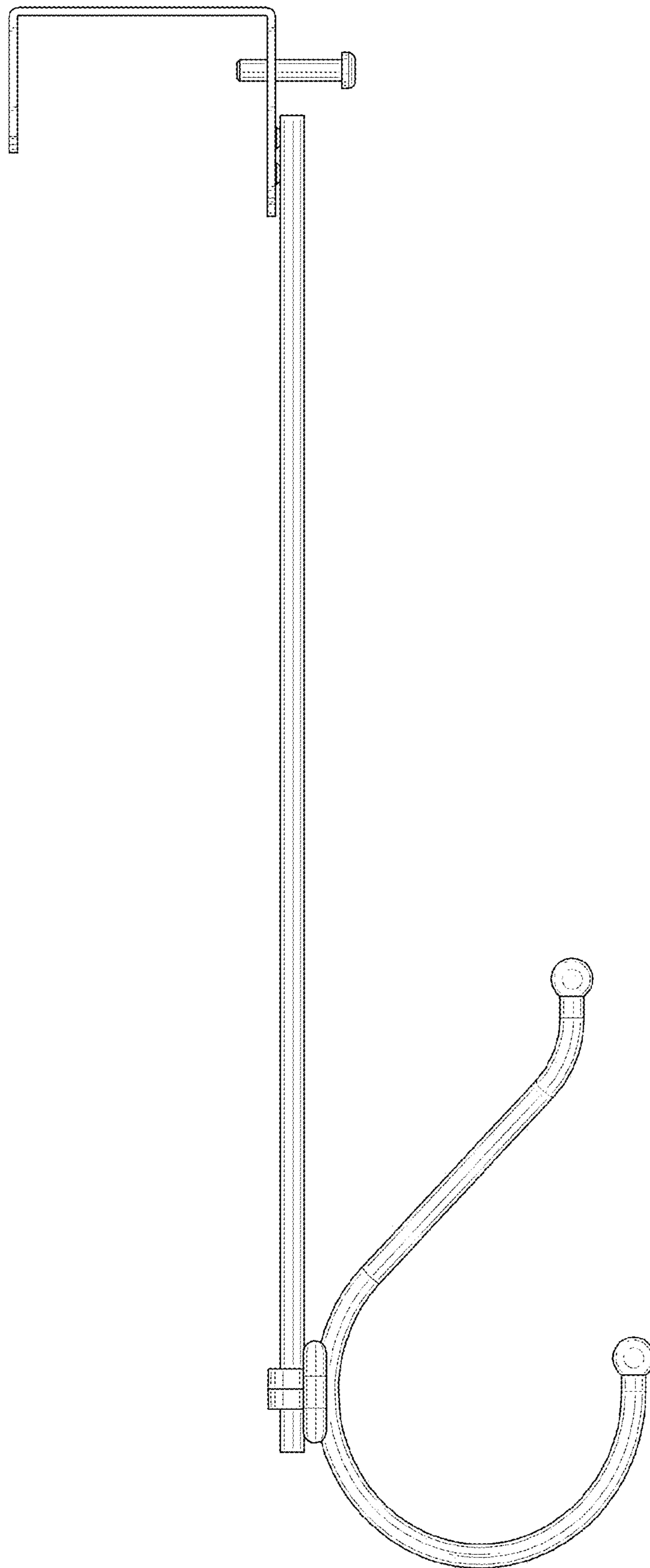


FIG. 4

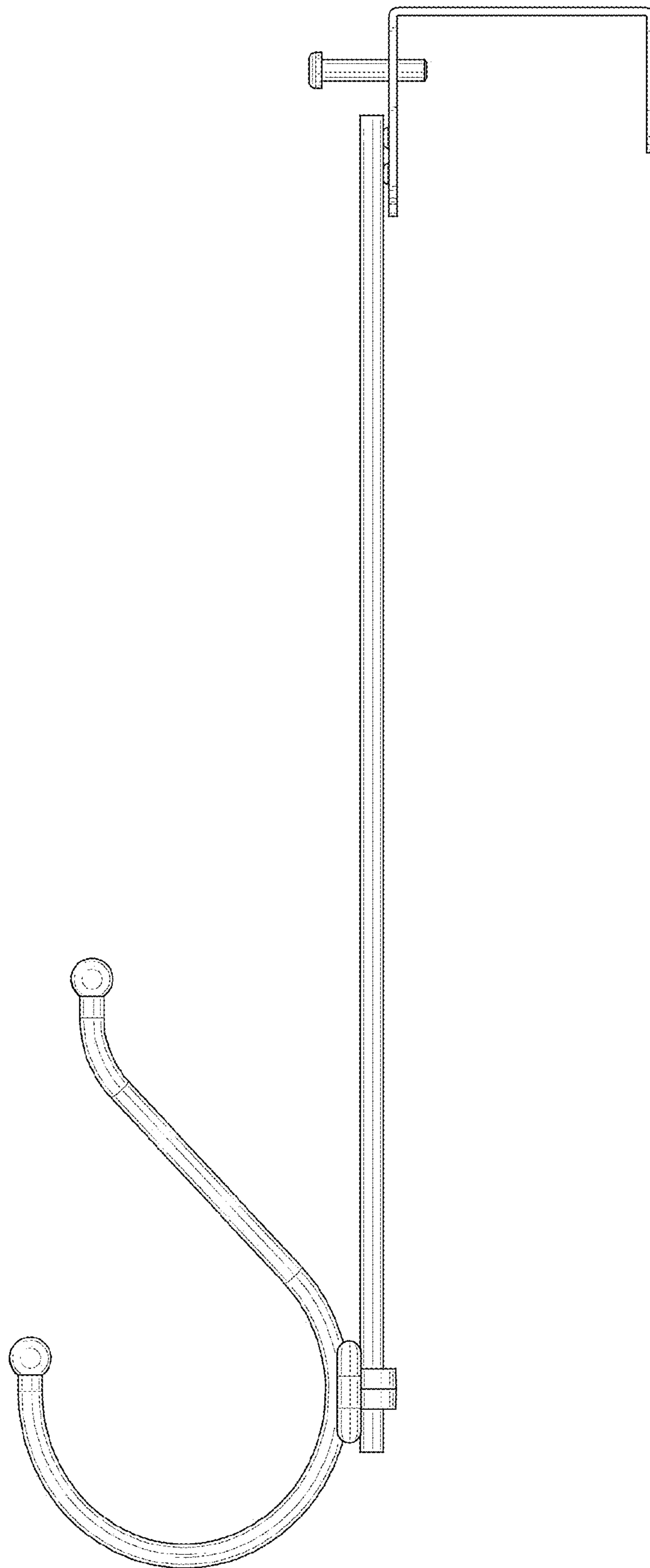


FIG. 5

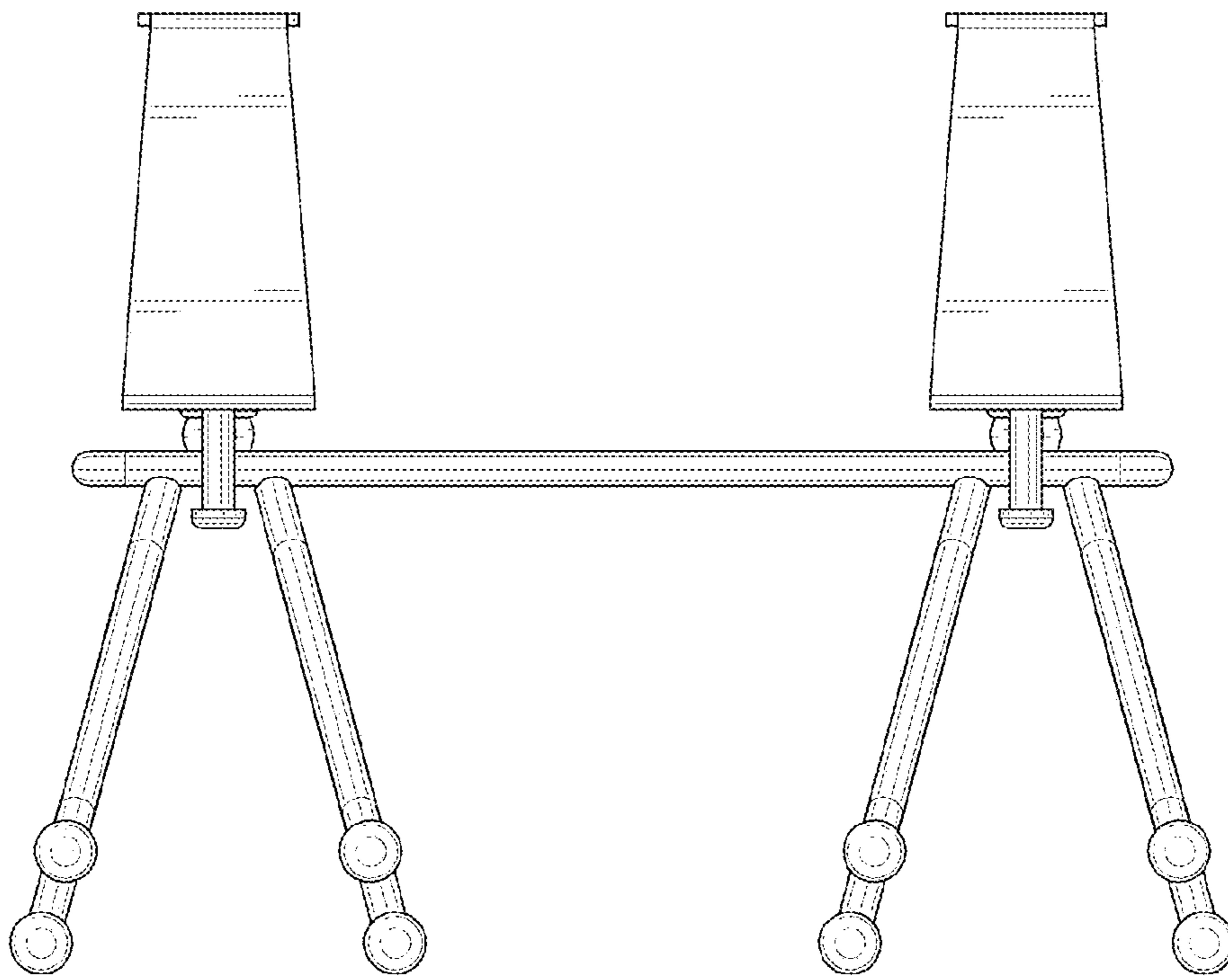


FIG. 6

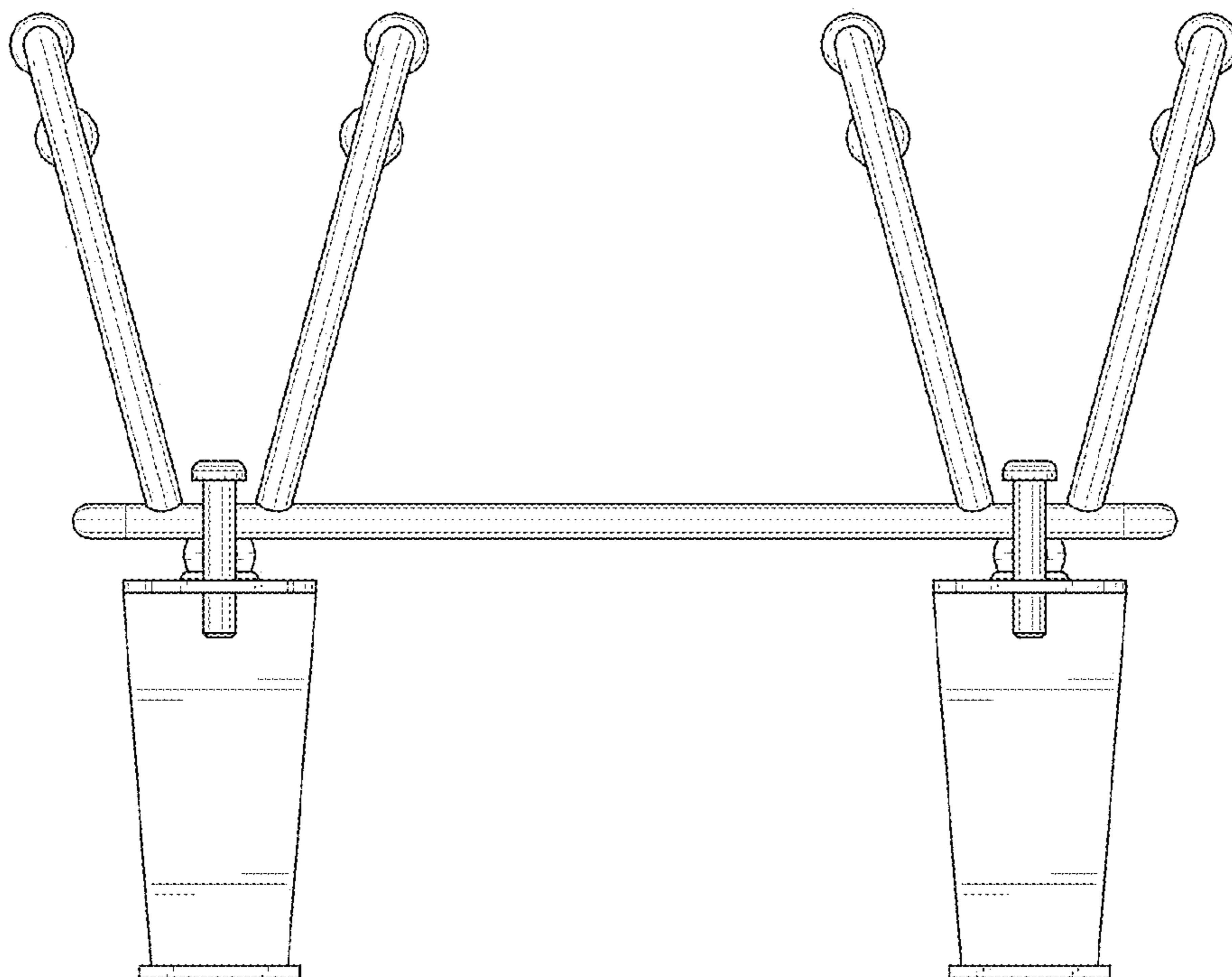


FIG. 7