



US00D880184S

(12) **United States Design Patent** (10) **Patent No.:** **US D880,184 S**
Coates et al. (45) **Date of Patent:** **** Apr. 7, 2020**

(54) **SEATING**

(71) Applicant: **Zoefitig Group Limited**, Cornwall (GB)

(72) Inventors: **Ian Charles Coates**, Cornwall (GB);
Simon Bilton, Warwick (GB)

(**) Term: **15 Years**

(21) Appl. No.: **29/663,743**

(22) Filed: **Sep. 18, 2018**

(30) **Foreign Application Priority Data**

Mar. 19, 2018 (EM) 004767010-001

(51) **LOC (12) Cl.** **06-01**

(52) **U.S. Cl.**
USPC **D6/379**

(58) **Field of Classification Search**
USPC D6/334, 335, 349, 352, 355, 363, 369,
D6/374-376, 378, 379-382, 601, 711,
D6/716-716.3
CPC A47C 1/16; A47C 3/04; A47C 3/12; A47C
5/02; A47C 5/04; A47C 5/14; A47C 7/02;
A47C 7/16; A47C 7/18; A47C 7/24;
A47C 7/40; A47C 7/56; A47C 11/00;
A47C 11/005; A47C 13/005; A47C
15/002; A47C 17/02

See application file for complete search history.

(56) **References Cited**

U.S. PATENT DOCUMENTS

D335,970	S	*	6/1993	Doughty	D6/375
D445,574	S	*	7/2001	Foster	D6/336
6,746,086	B1	*	6/2004	Foster	A47C 4/02 297/170
D498,079	S	*	11/2004	Messier	D6/370
D601,823	S	*	10/2009	Skalka	D6/381
D759,413	S	*	6/2016	Lade	D6/379
D759,989	S	*	6/2016	Lade	D6/379
D760,005	S	*	6/2016	Lade	D6/379

* cited by examiner

Primary Examiner — R. Johnson

(74) *Attorney, Agent, or Firm* — Legends Law Group,
PLLC; Stephen H. Bean, Esq.

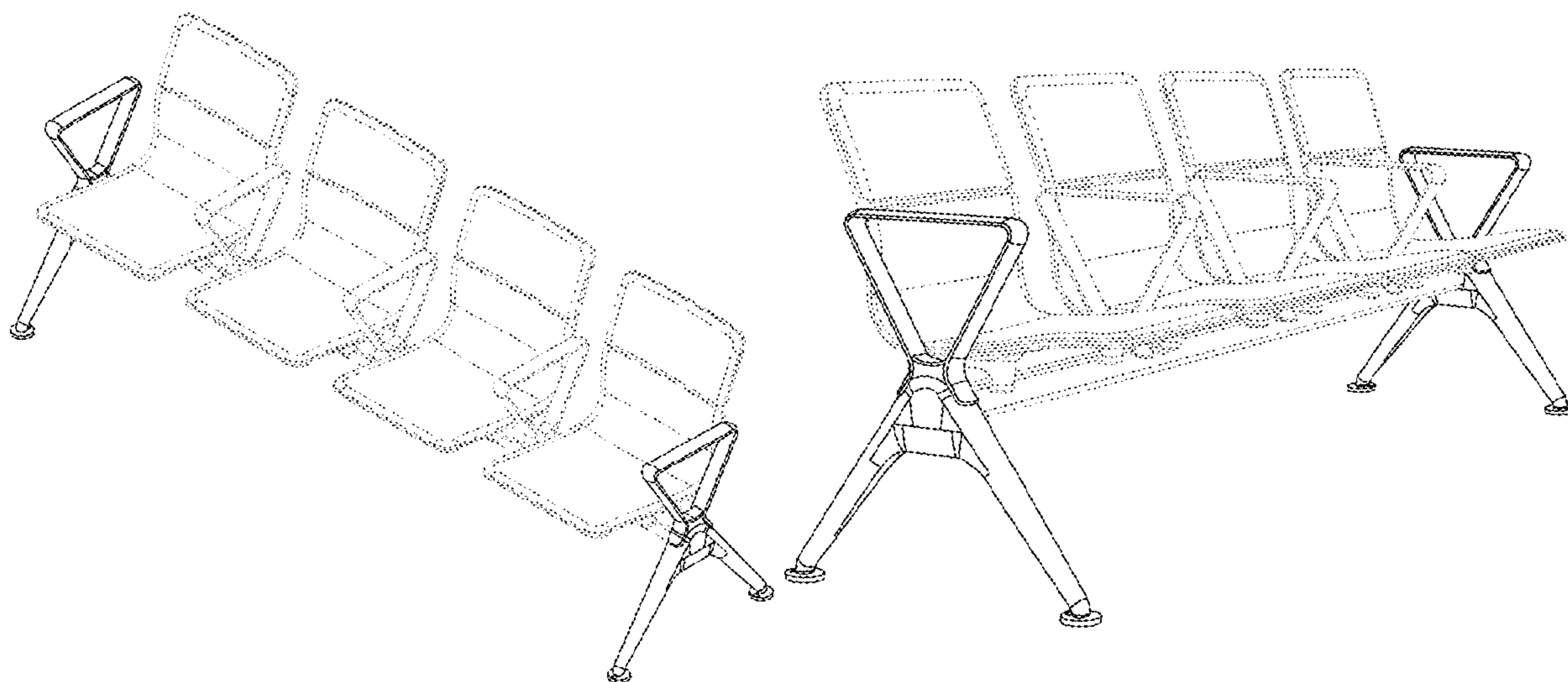
(57) **CLAIM**

We claim the ornamental design for the seating, as shown and described.

DESCRIPTION

FIG. 1 is a perspective view from the right side of the seating showing my new design; FIG. 2 is a left-side perspective view thereof; and, FIG. 3 is an end view thereof. The broken lines in FIGS. 1-3 depict environment and form no part of the claim.

1 Claim, 3 Drawing Sheets



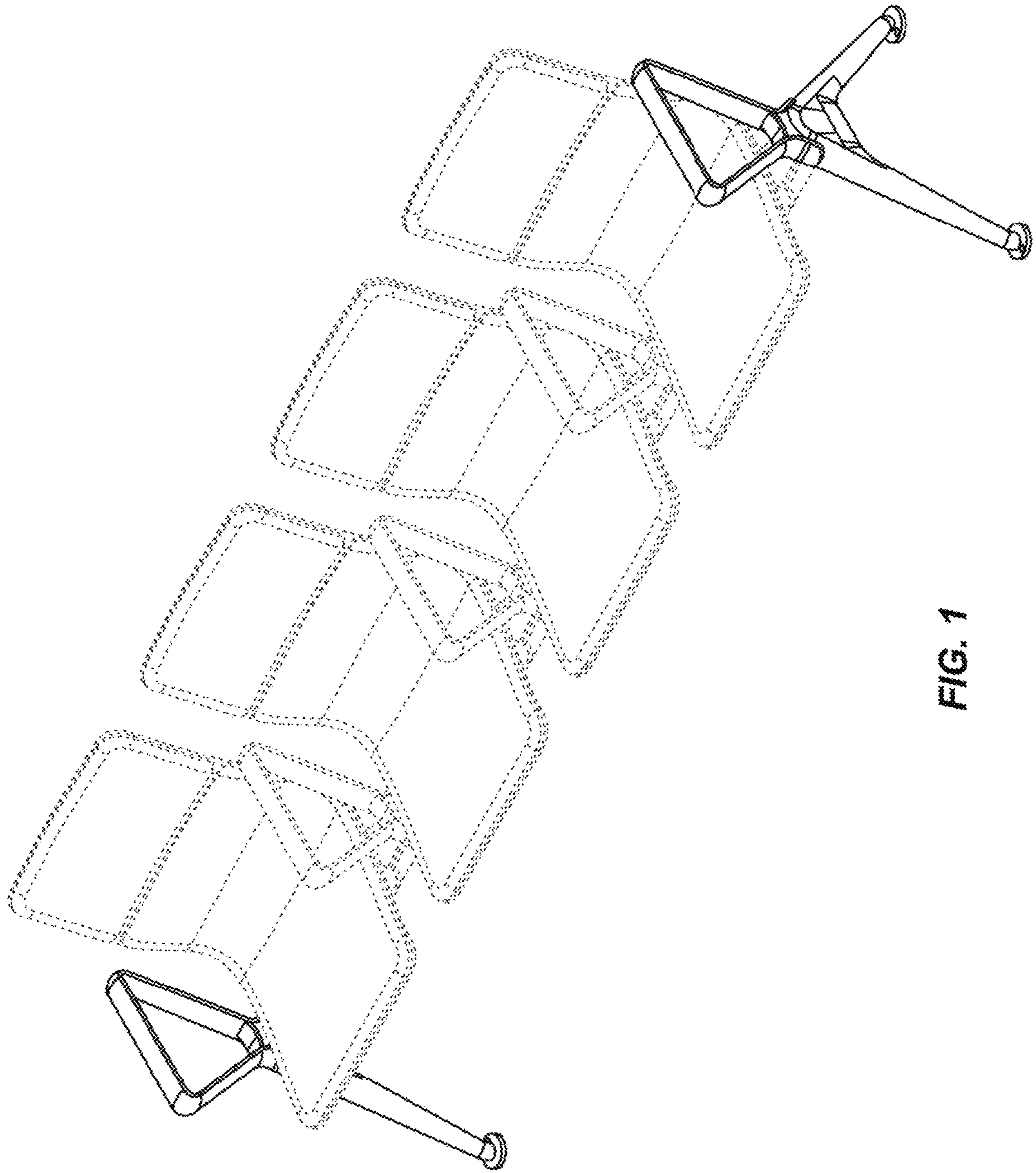


FIG. 1

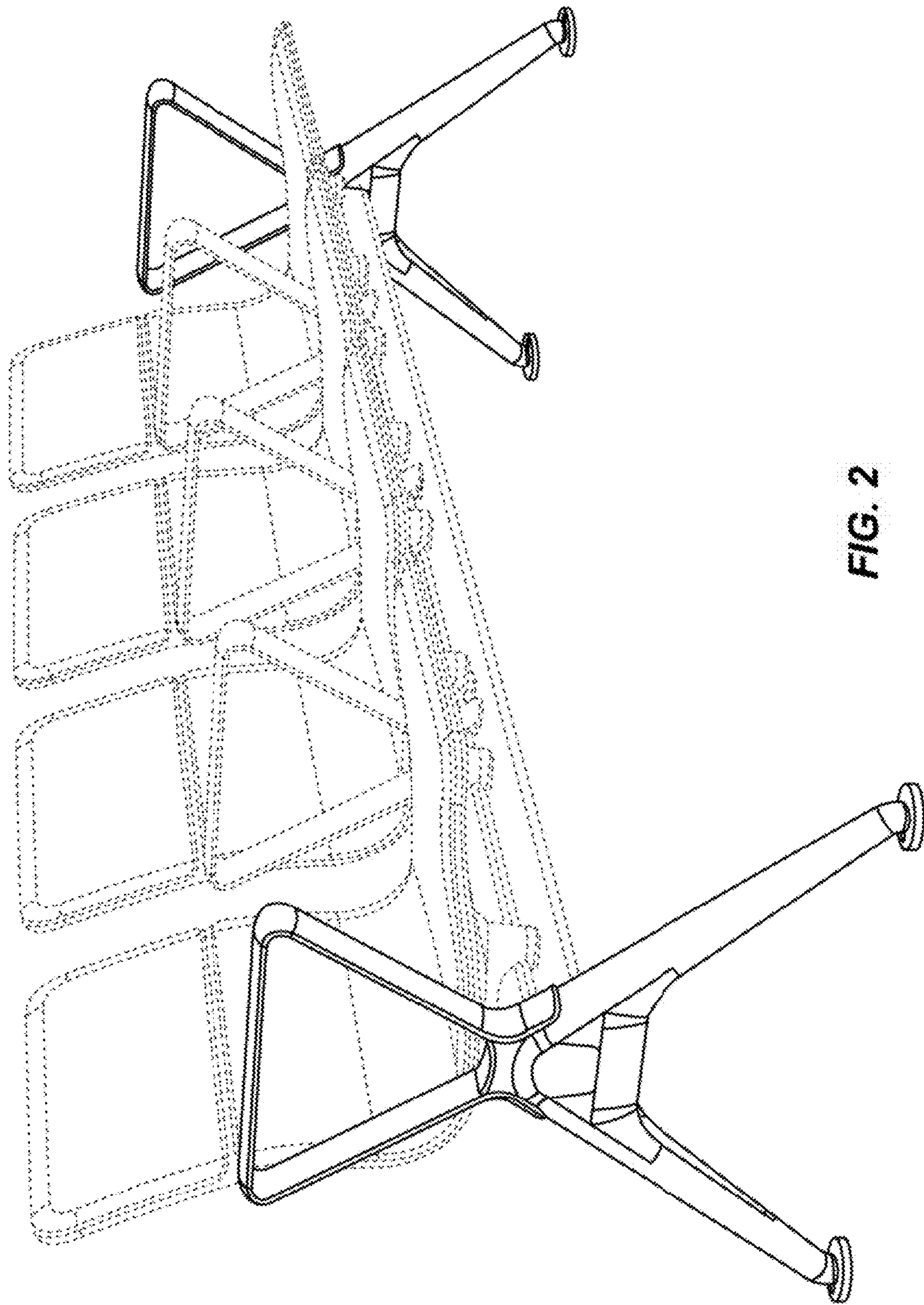


FIG. 2

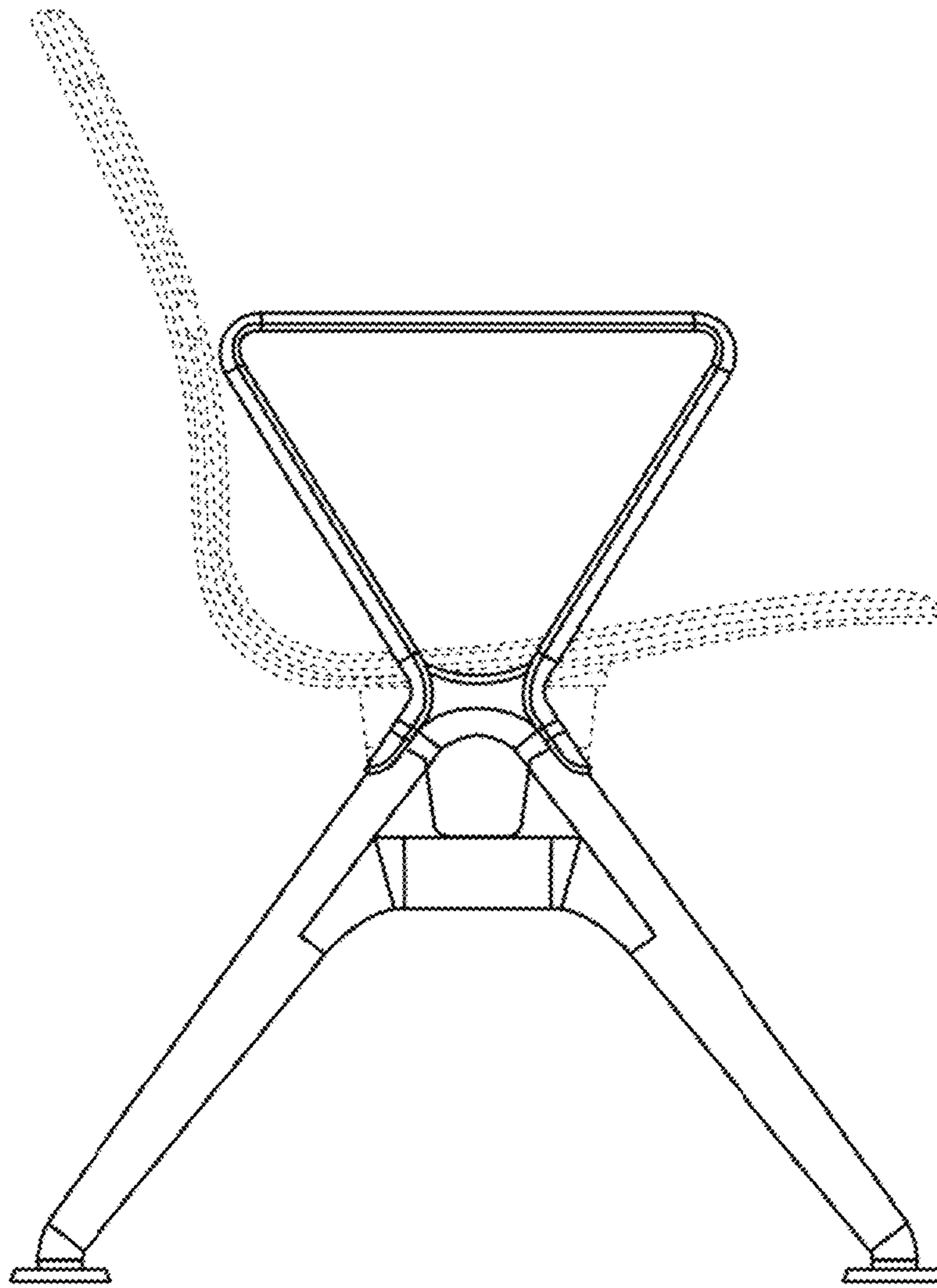


FIG. 3