



US00D880182S

(12) **United States Design Patent**  
**Wang**

(10) **Patent No.:** **US D880,182 S**

(45) **Date of Patent:** **\*\* Apr. 7, 2020**

(54) **CHAIR**

(71) Applicant: **ZHEJIANG HENGLIN CHAIR  
INDUSTRY CO., LTD., Zhejiang (CN)**

(72) Inventor: **Jianglin Wang, Zhejiang (CN)**

(73) Assignee: **ZHEJIANG HENGLIN CHAIR  
INDUSTRY CO., LTD., Zhejiang (CN)**

(\*\*) Term: **15 Years**

(21) Appl. No.: **29/671,326**

(22) Filed: **Nov. 26, 2018**

(51) **LOC (12) Cl.** ..... **06-01**

(52) **U.S. Cl.**  
USPC ..... **D6/366**

(58) **Field of Classification Search**  
USPC ..... D6/334-336, 364, 365, 366, 374, 379,  
D6/380, 716, 716.1, 716.2, 716.4  
CPC .. A47C 7/004; A47C 7/02; A47C 3/24; A47C  
7/282; A47C 7/40; A47C 7/46; A47C  
7/462; A47C 7/24; A47C 7/54  
See application file for complete search history.

(56) **References Cited**

**U.S. PATENT DOCUMENTS**

D548,992 S \* 8/2007 Koepke ..... D6/366  
D558,994 S \* 1/2008 Machael ..... D6/366  
D568,624 S \* 5/2008 Wen ..... D6/366

D570,624 S \* 6/2008 Kang ..... D6/716  
D572,948 S \* 7/2008 Wakasugi ..... D6/366  
D573,817 S \* 7/2008 Su ..... D6/716.4  
D576,416 S \* 9/2008 Su ..... D6/366  
D580,199 S \* 11/2008 Su ..... D6/366  
D708,882 S \* 7/2014 Hsuan-Chin ..... D6/716.4  
D714,069 S \* 9/2014 Cvek ..... D6/366  
9,237,811 B1 \* 1/2016 Cho ..... A47C 7/462  
10,477,973 B2 \* 11/2019 Gerbino ..... A47C 7/462

\* cited by examiner

*Primary Examiner* — Mimoso De

(74) *Attorney, Agent, or Firm* — JCIPRNET

(57) **CLAIM**

The ornamental design for a chair, as shown and described.

**DESCRIPTION**

FIG. 1 is a perspective view of a chair showing my new design;

FIG. 2 is a front view thereof;

FIG. 3 is a rear view thereof;

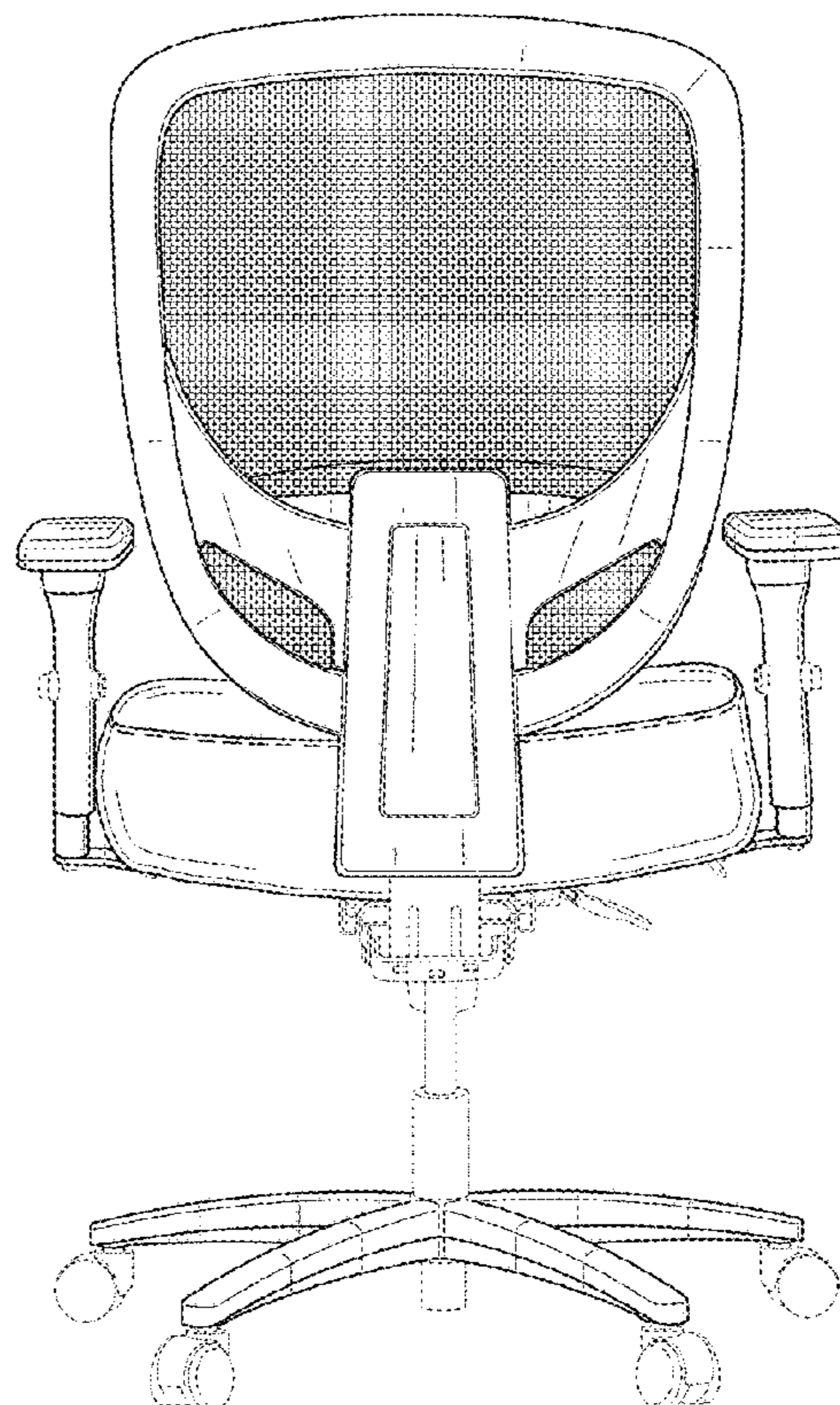
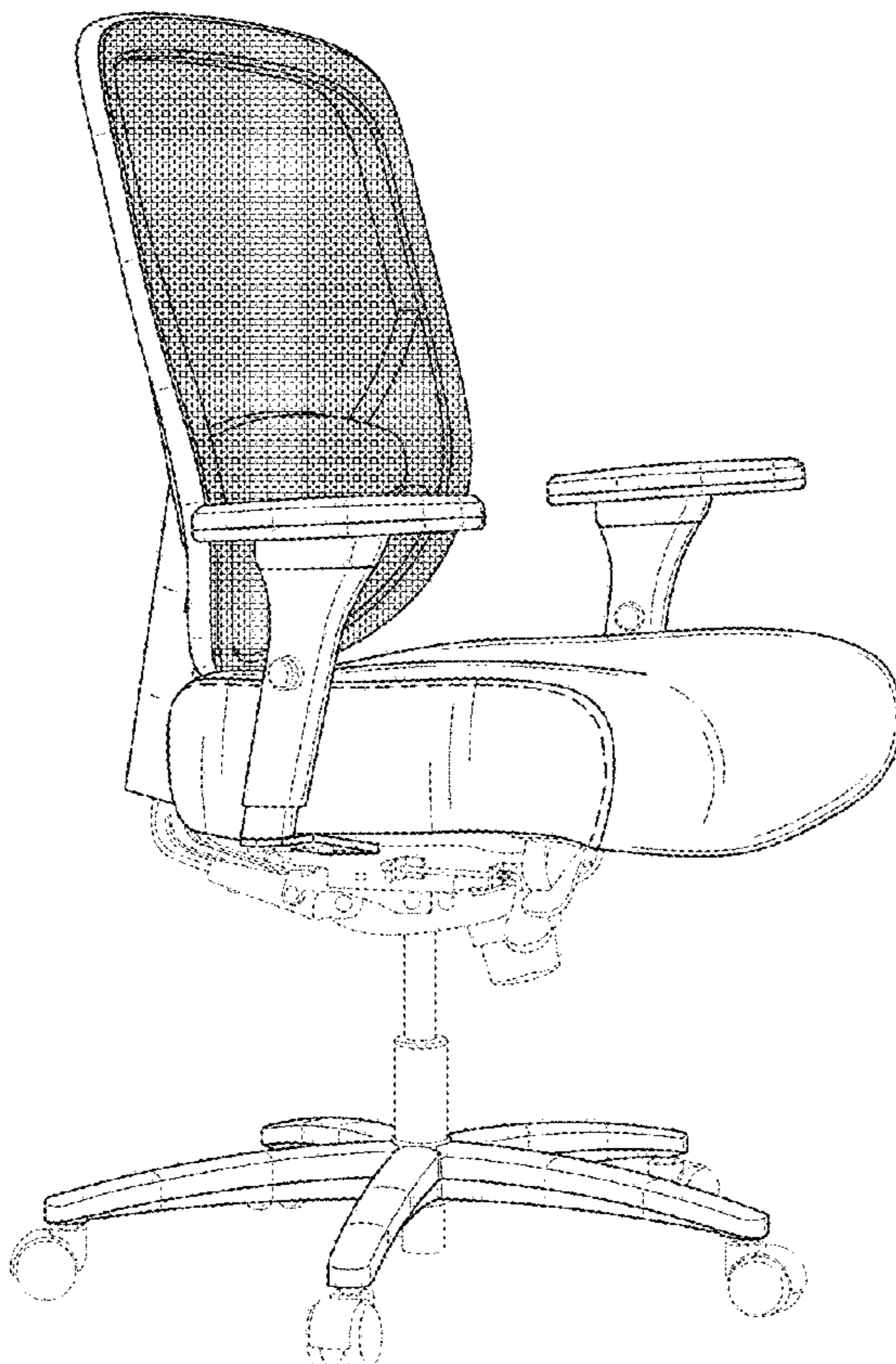
FIG. 4 is a left side view thereof;

FIG. 5 is a right side view thereof; and,

FIG. 6 is a top view thereof.

A bottom view thereof is omitted since it does not contain ornamental features. The heavy broken line showing of stitch lines in FIG. 3 forms portions of the claimed design, while the light broken line showing of portions of the chair in all of the drawings forms no part of the claimed design.

**1 Claim, 6 Drawing Sheets**



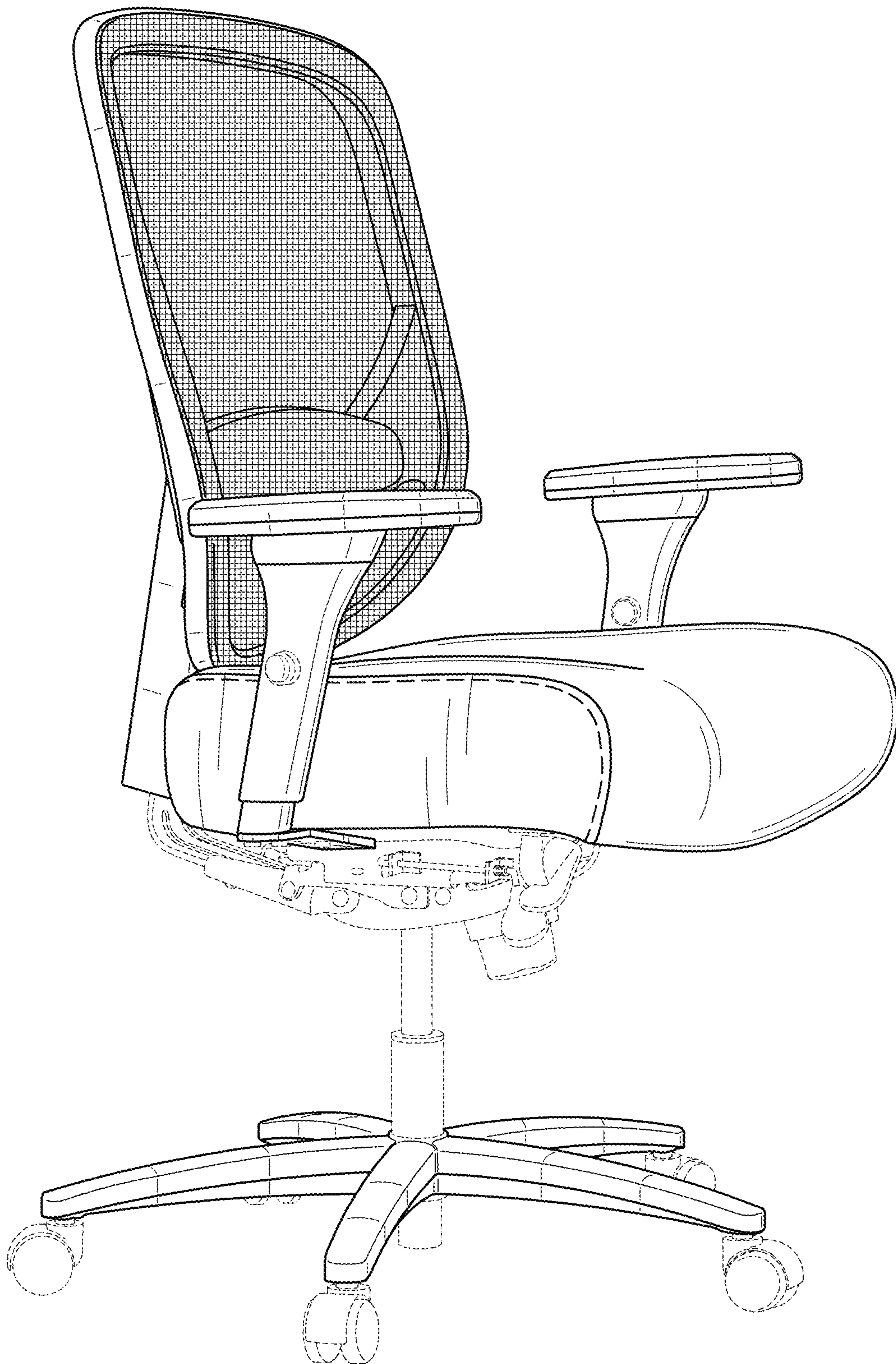


FIG. 1

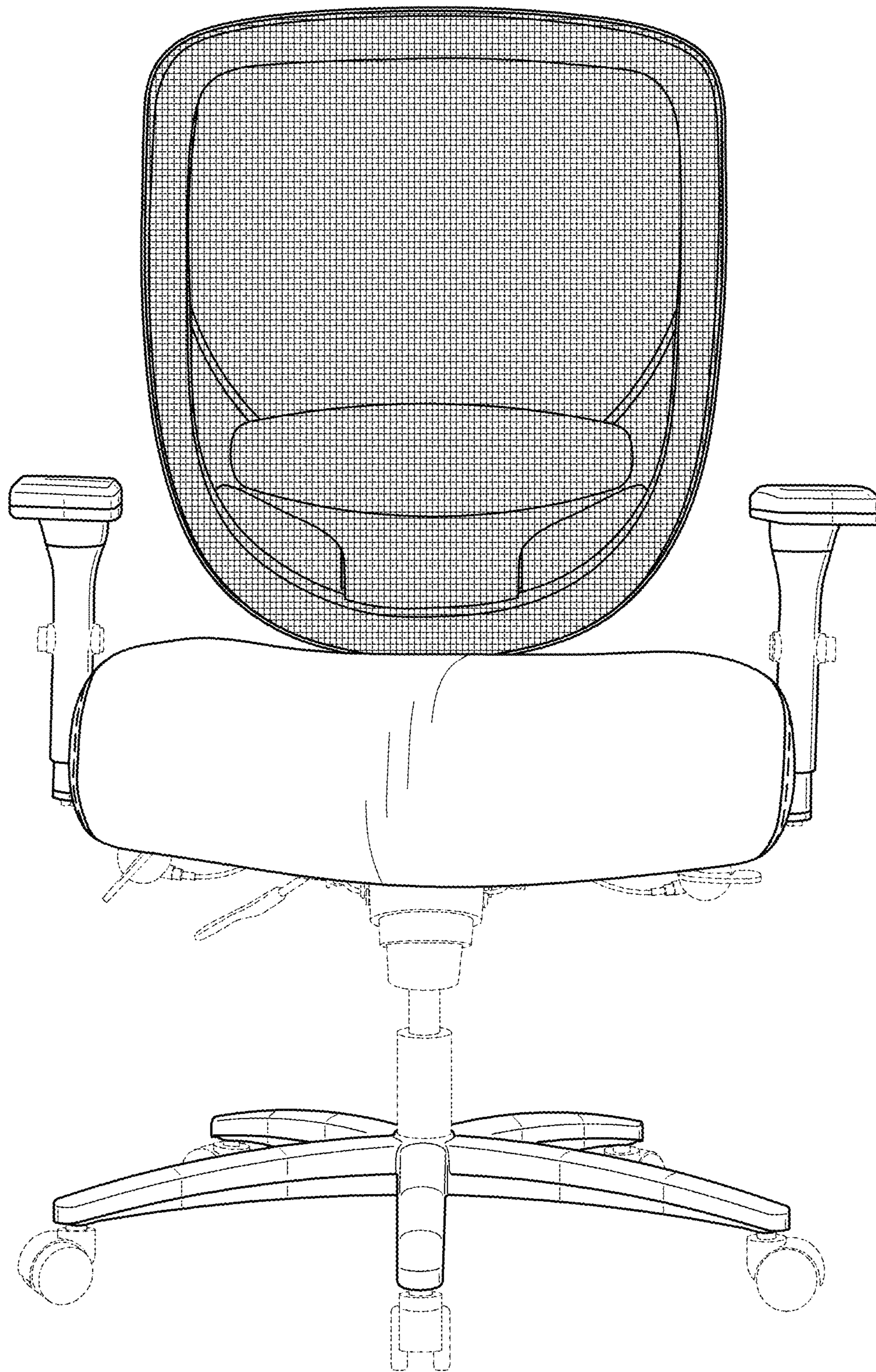


FIG. 2

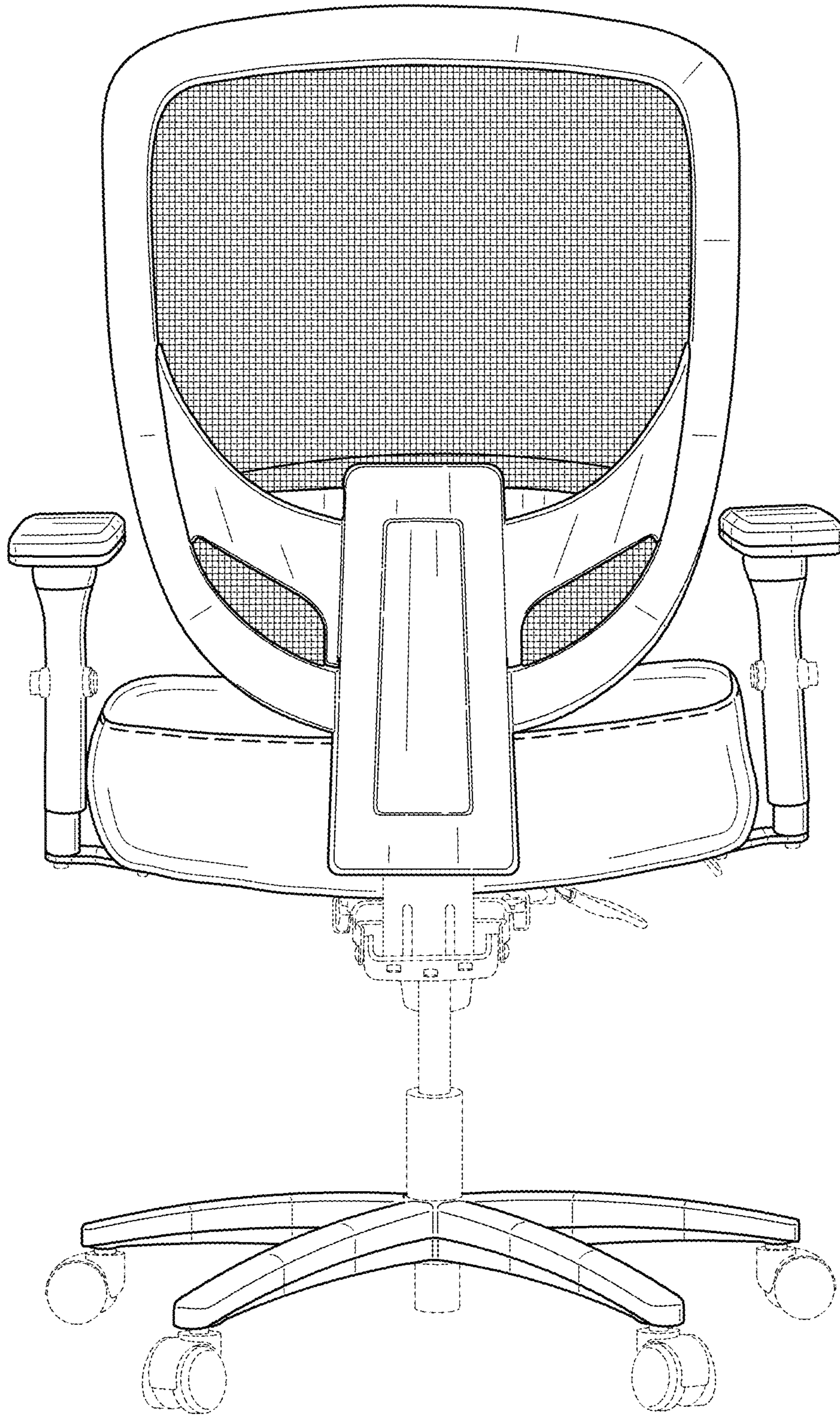


FIG. 3

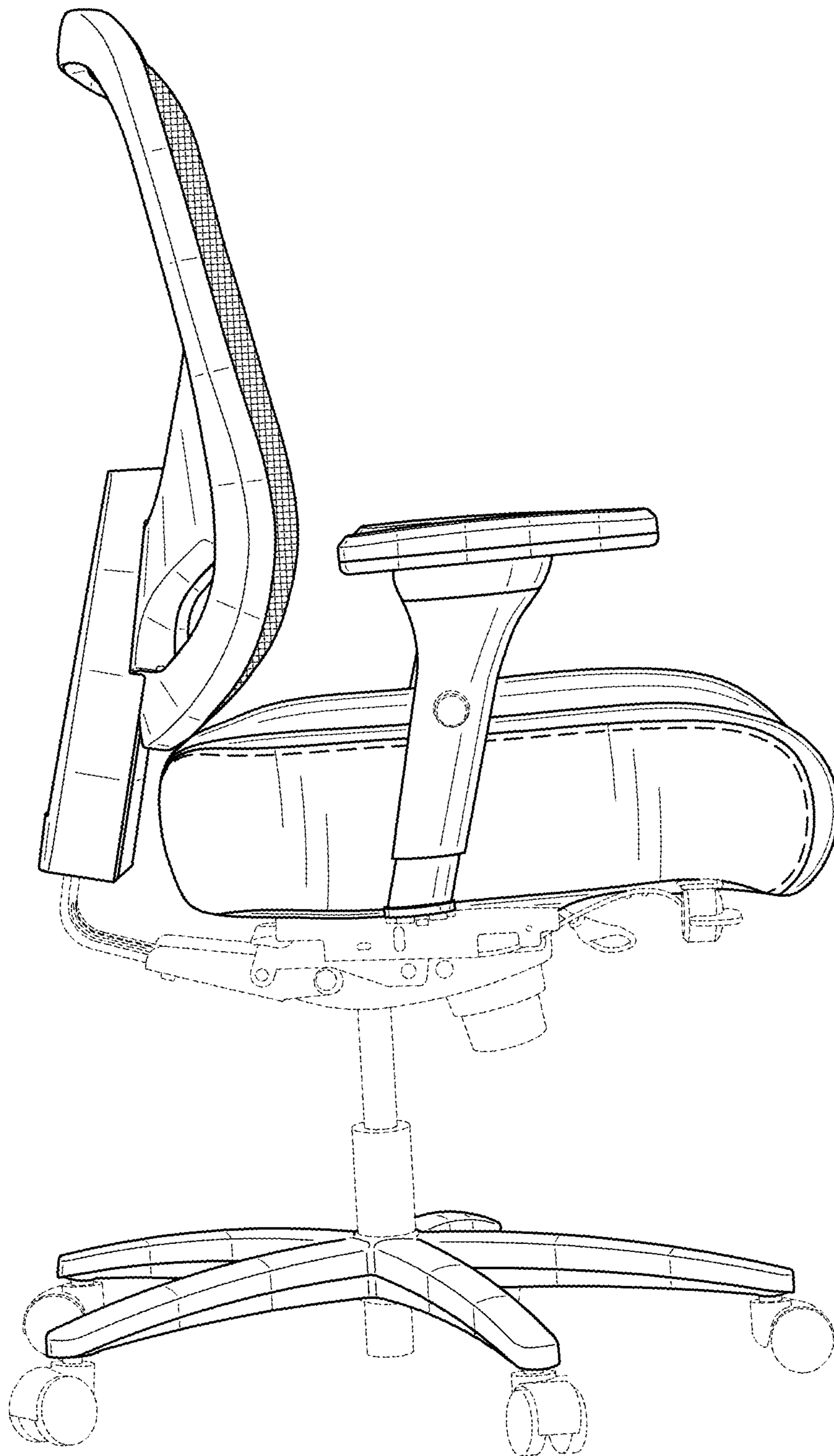


FIG. 4

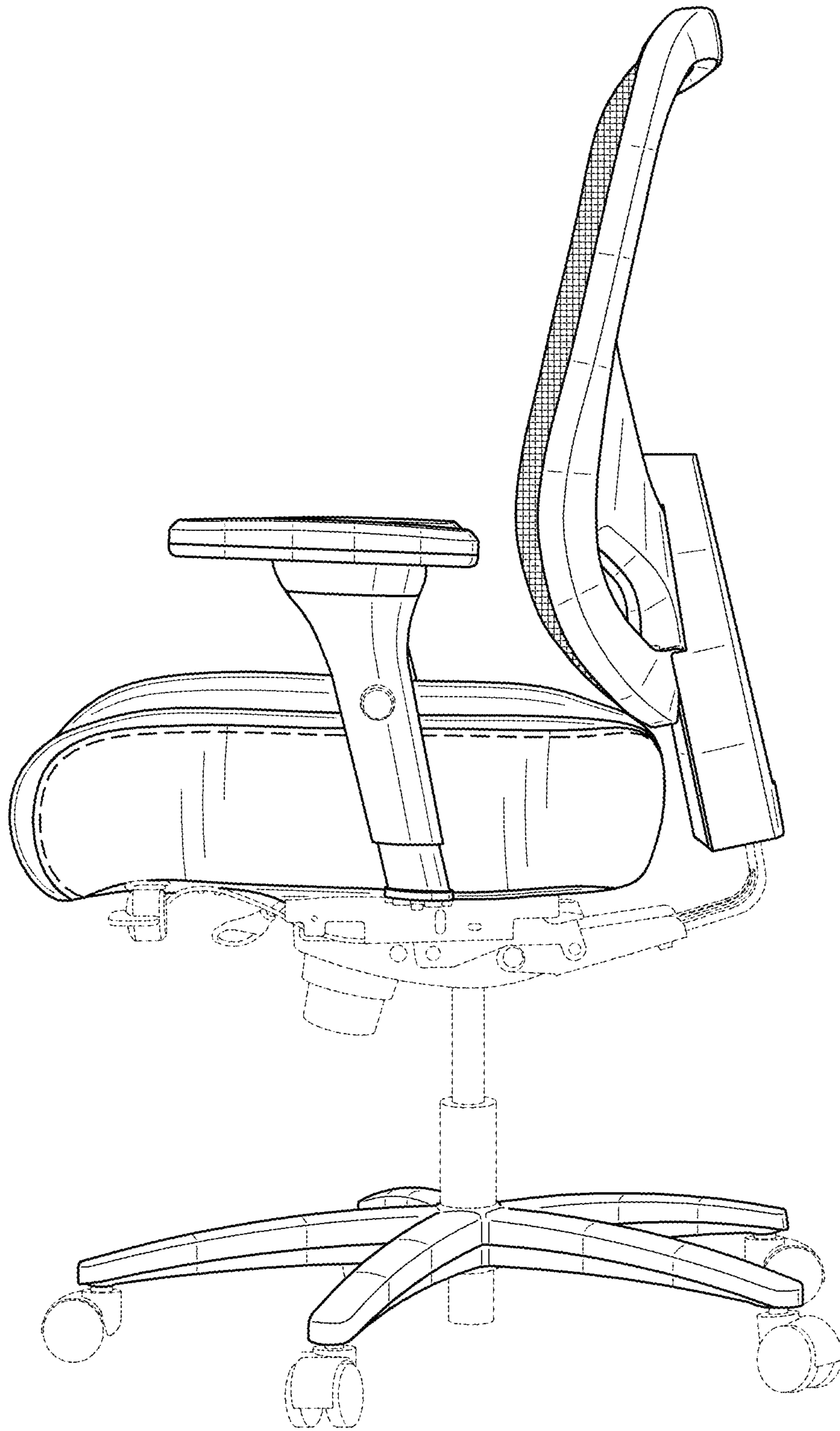


FIG. 5

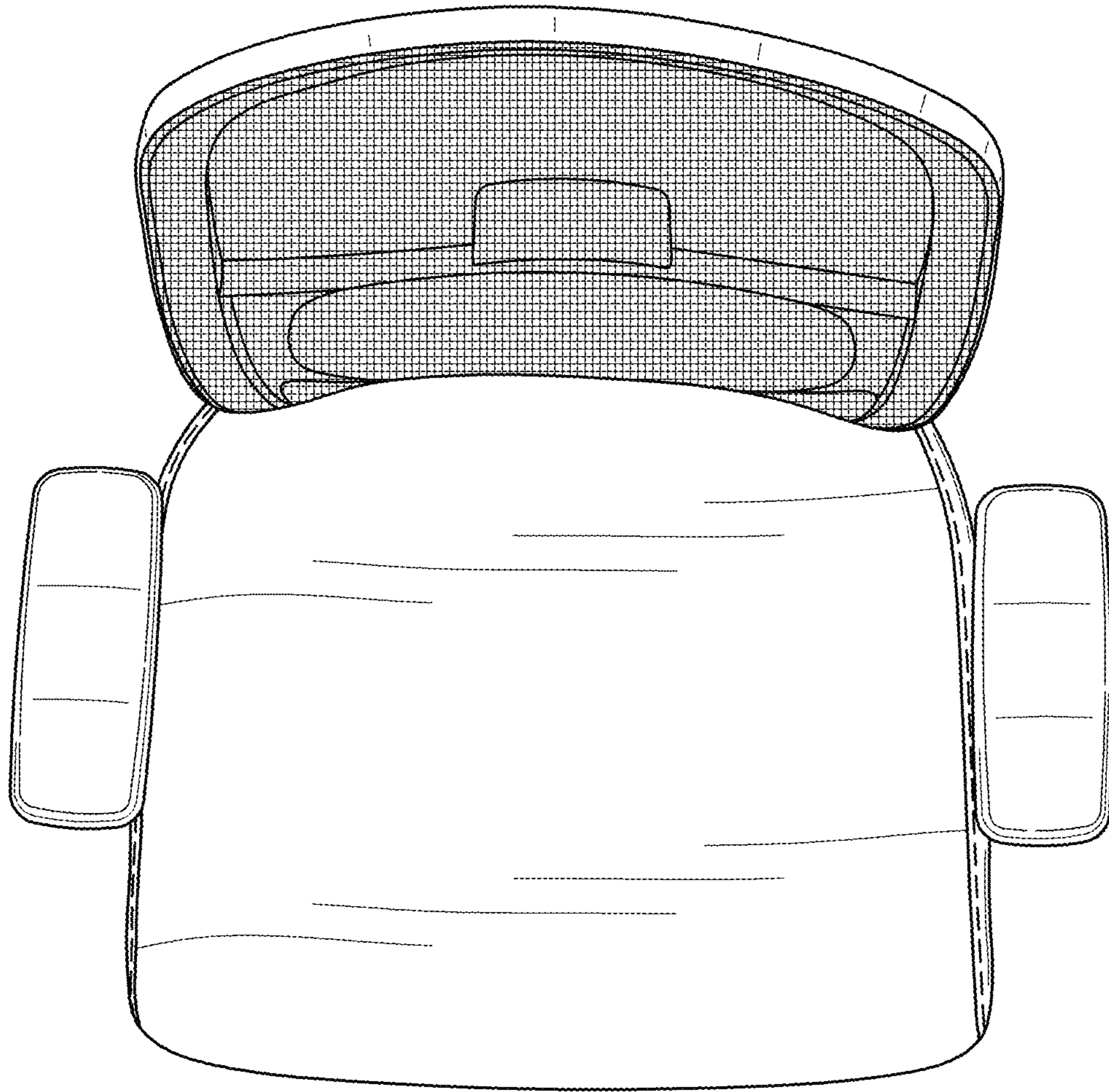


FIG. 6