



US00D880181S

(12) **United States Design Patent** (10) **Patent No.:** **US D880,181 S**
Wang et al. (45) **Date of Patent:** **** Apr. 7, 2020**

(54) **CHAIR**
(71) Applicant: **ZHEJIANG HENGLIN CHAIR INDUSTRY CO., LTD.**, Zhejiang (CN)

D657,580 S * 4/2012 Zhou D6/366
D769,634 S * 10/2016 Mezzera D6/366
D770,820 S * 11/2016 Mezzera D6/716
D809,841 S * 2/2018 Mao D6/716

* cited by examiner

(72) Inventors: **Jianglin Wang**, Zhejiang (CN); **Lei Wang**, Zhejiang (CN)

Primary Examiner — Mimoso De
(74) *Attorney, Agent, or Firm* — JCIPRNET

(73) Assignee: **ZHEJIANG HENGLIN CHAIR INDUSTRY CO., LTD.**, Zhejiang (CN)

(**) Term: **15 Years**

(57) **CLAIM**

The ornamental design for a chair, as shown and described.

(21) Appl. No.: **29/667,038**

(22) Filed: **Oct. 18, 2018**

DESCRIPTION

(30) **Foreign Application Priority Data**

Apr. 18, 2018 (CN) 2018 3 0160645

(51) **LOC (12) Cl.** **06-01**

(52) **U.S. Cl.**
USPC **D6/366**

(58) **Field of Classification Search**
USPC D6/334-336, 356, 364, 365, 366, 367,
D6/374, 379, 716, 716.1, 716.2, 716.3,
D6/716.4
CPC .. A47C 4/028; A47C 7/02; A47C 7/18; A47C
7/24; A47C 7/38; A47C 7/40; A47C 7/54;
B60N 2/02; B60N 2/22
See application file for complete search history.

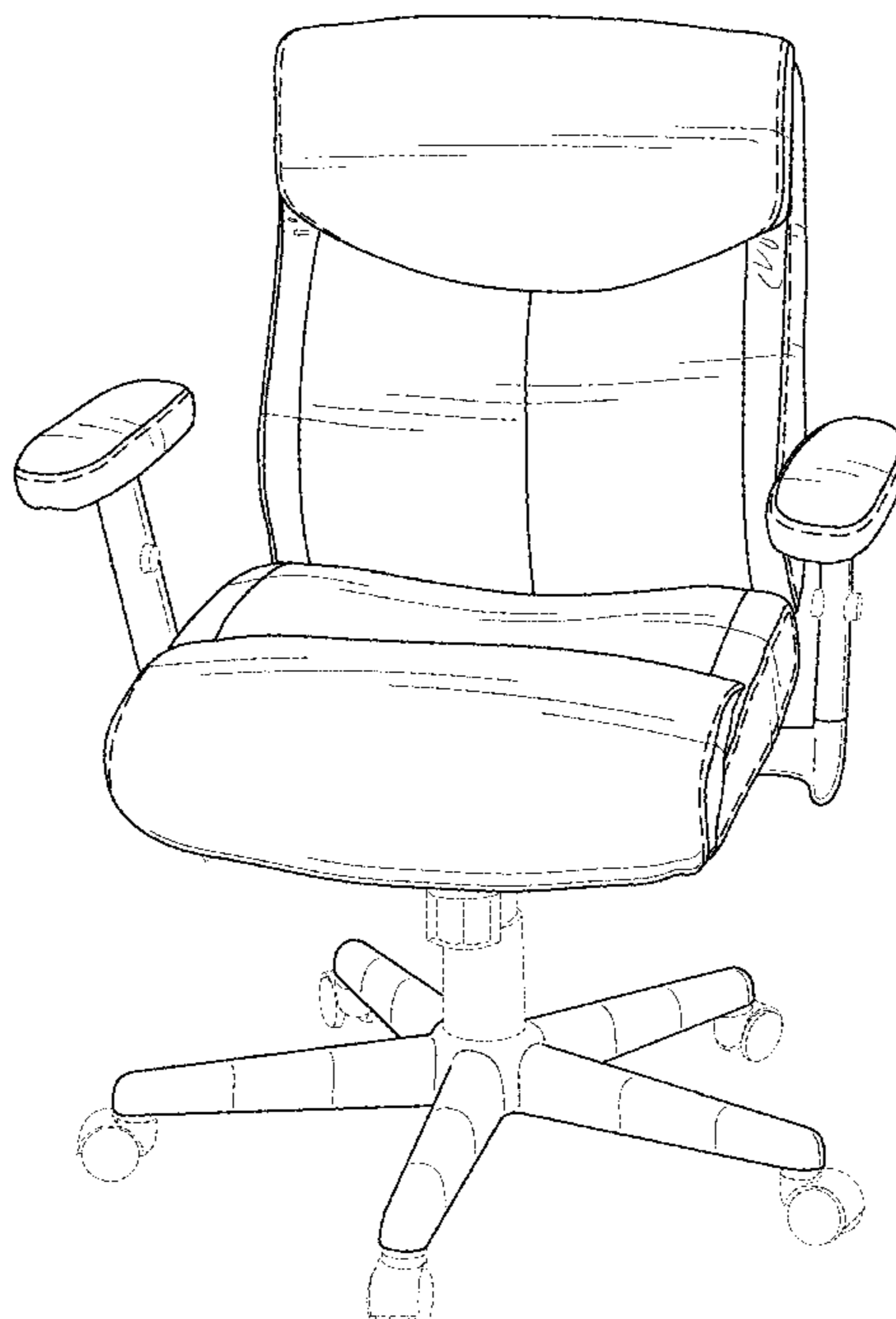
FIG. 1 is a perspective view of a chair showing a first embodiment of our new design;
FIG. 2 is a front view of the first embodiment;
FIG. 3 is a rear view of the first embodiment;
FIG. 4 is a left side view of the first embodiment;
FIG. 5 is a right side view of the first embodiment;
FIG. 6 is a top view of the first embodiment;
FIG. 7 is a perspective view of a chair showing a second embodiment of our new design;
FIG. 8 is a front view of the second embodiment;
FIG. 9 is a rear view of the second embodiment;
FIG. 10 is a left side view of the second embodiment;
FIG. 11 is a right side view of the second embodiment; and,
FIG. 12 is a top view of the second embodiment.
A bottom view of each of the embodiments is omitted since it does not contain ornamental features. The heavy broken line showing of stitch lines forms portions of the claimed design, while the light broken line showing of portions of the chair forms no part of the claimed design.

(56) **References Cited**

U.S. PATENT DOCUMENTS

D538,072 S * 3/2007 McDiarmid D6/366
D611,717 S * 3/2010 Huang D6/366

1 Claim, 12 Drawing Sheets



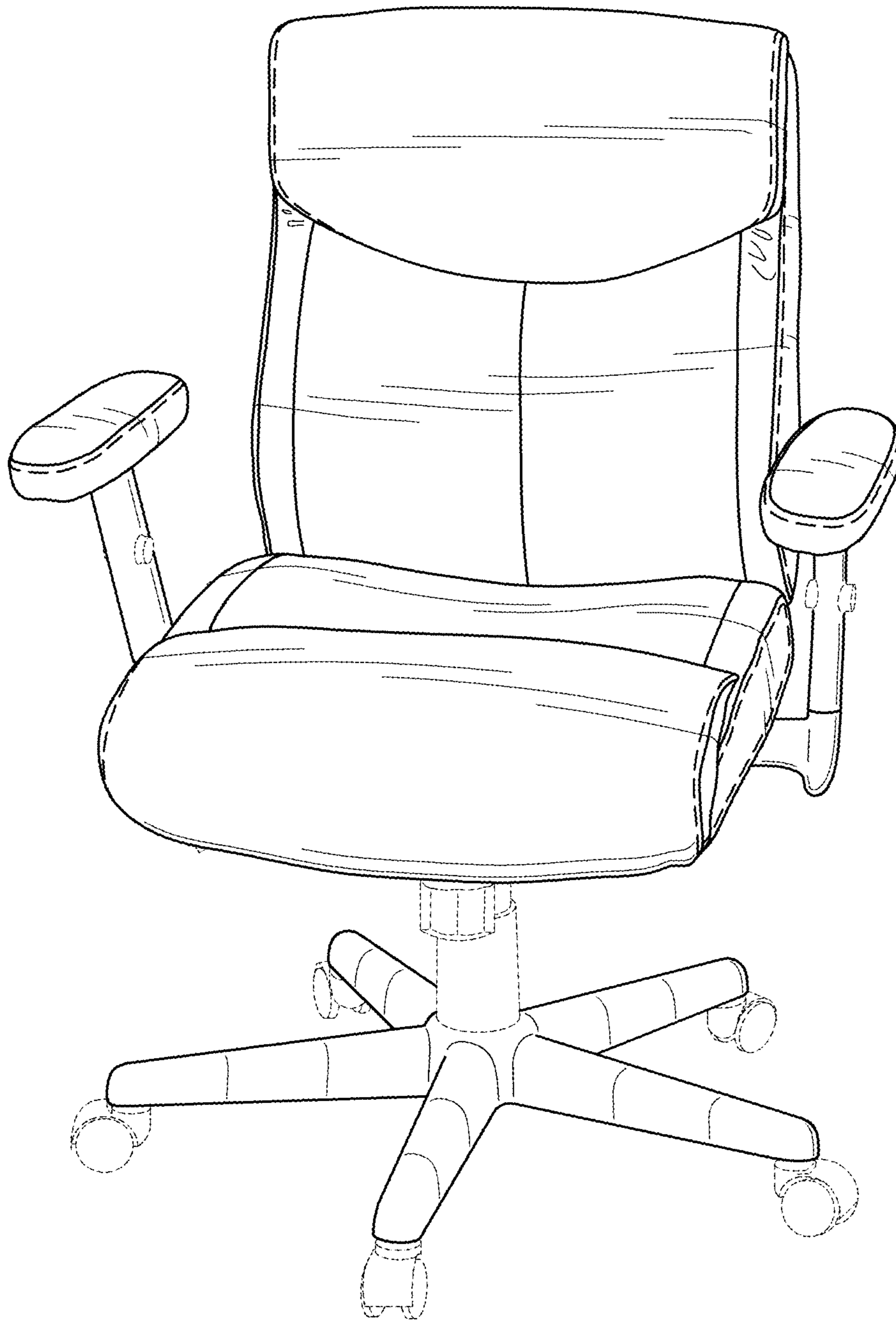


FIG. 1

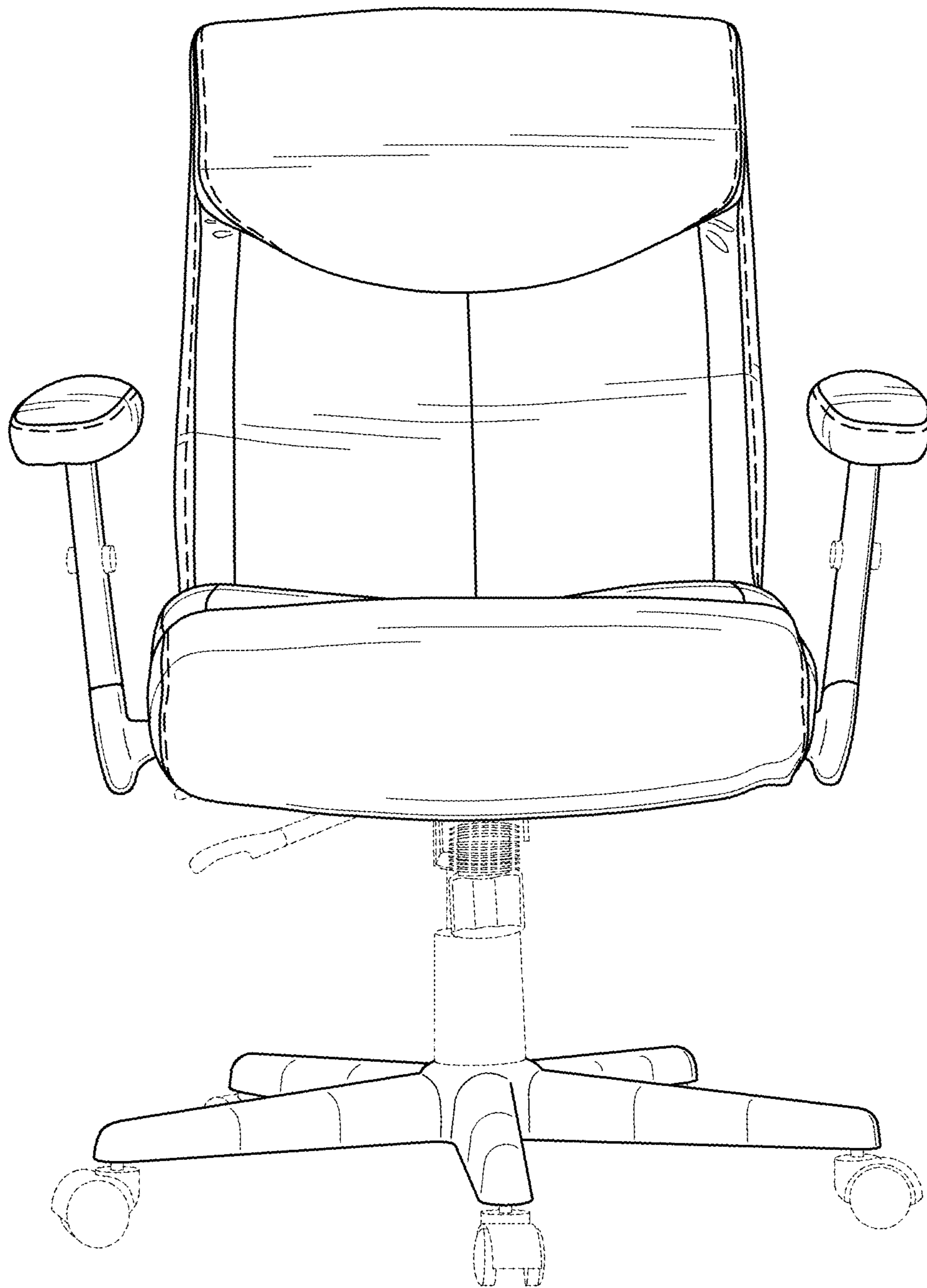


FIG. 2

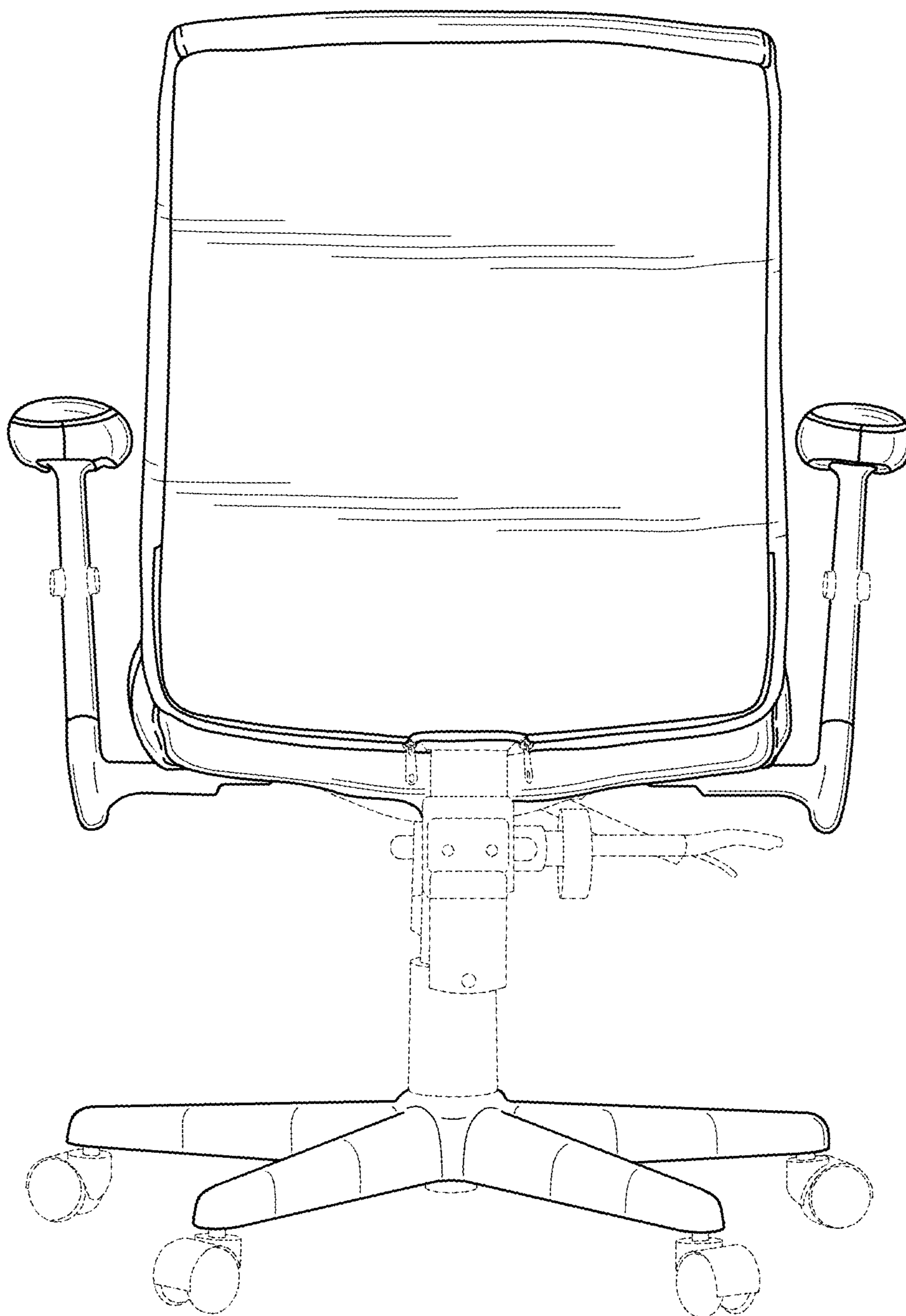


FIG. 3

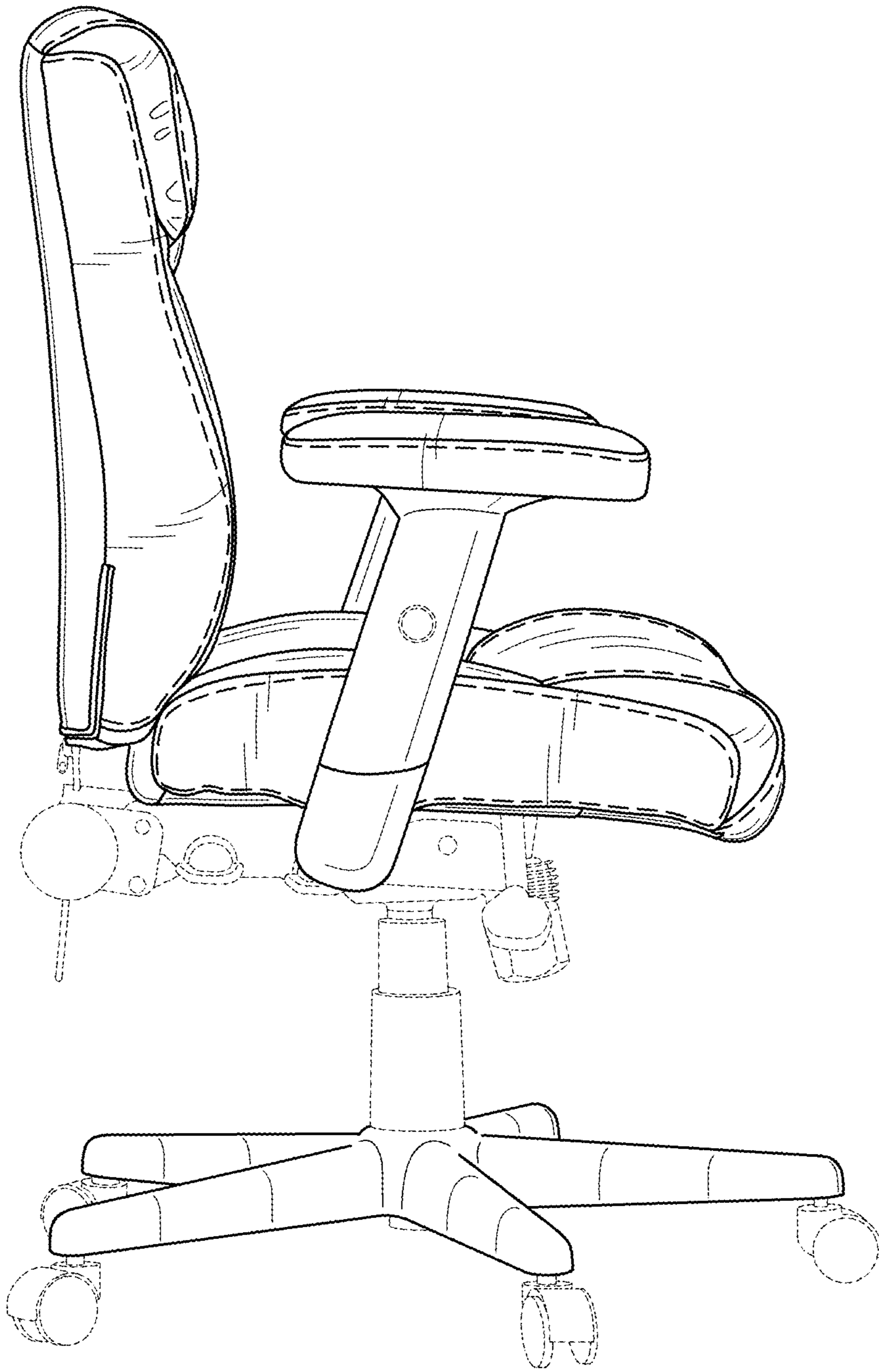


FIG. 4

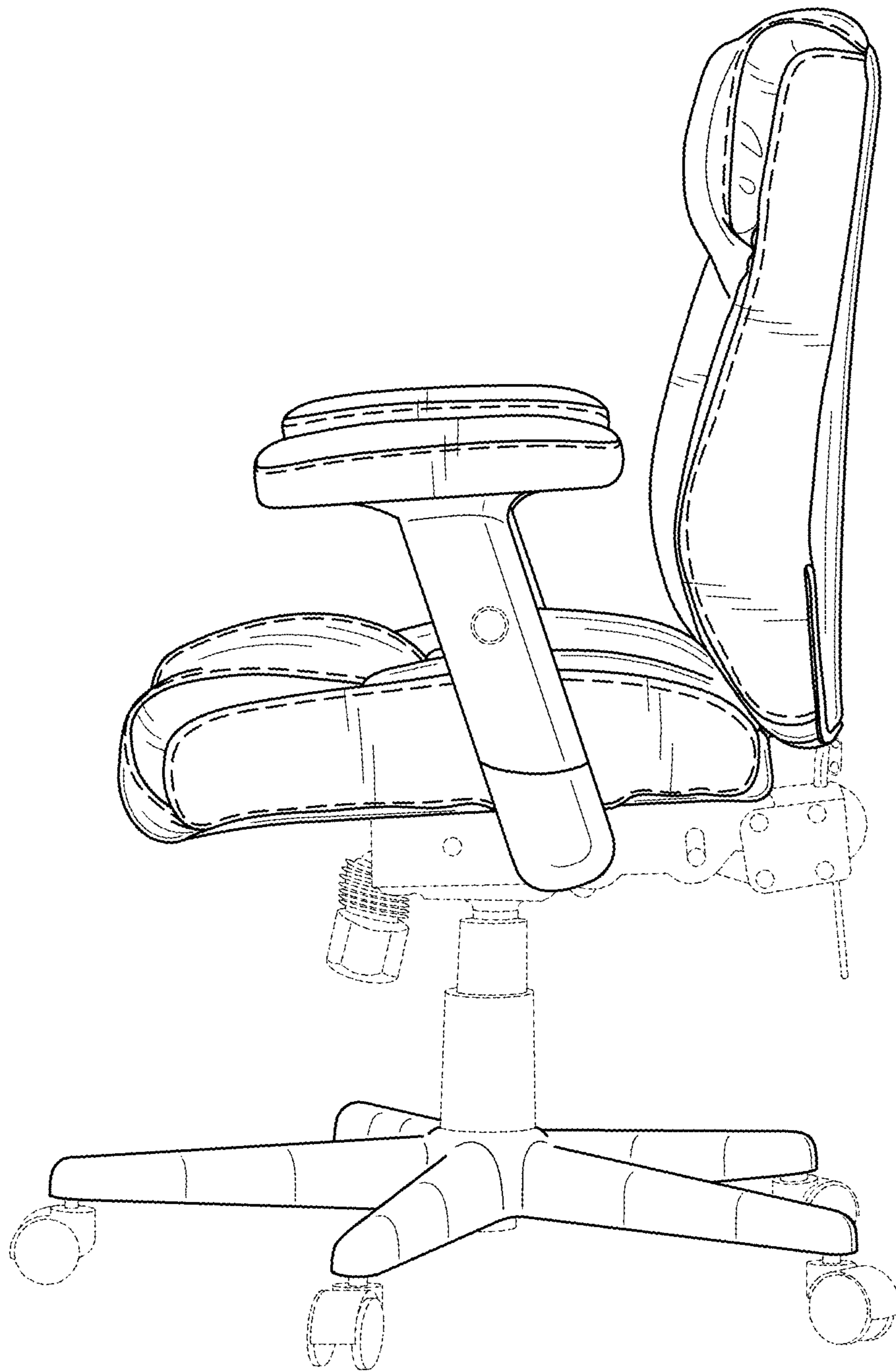


FIG. 5

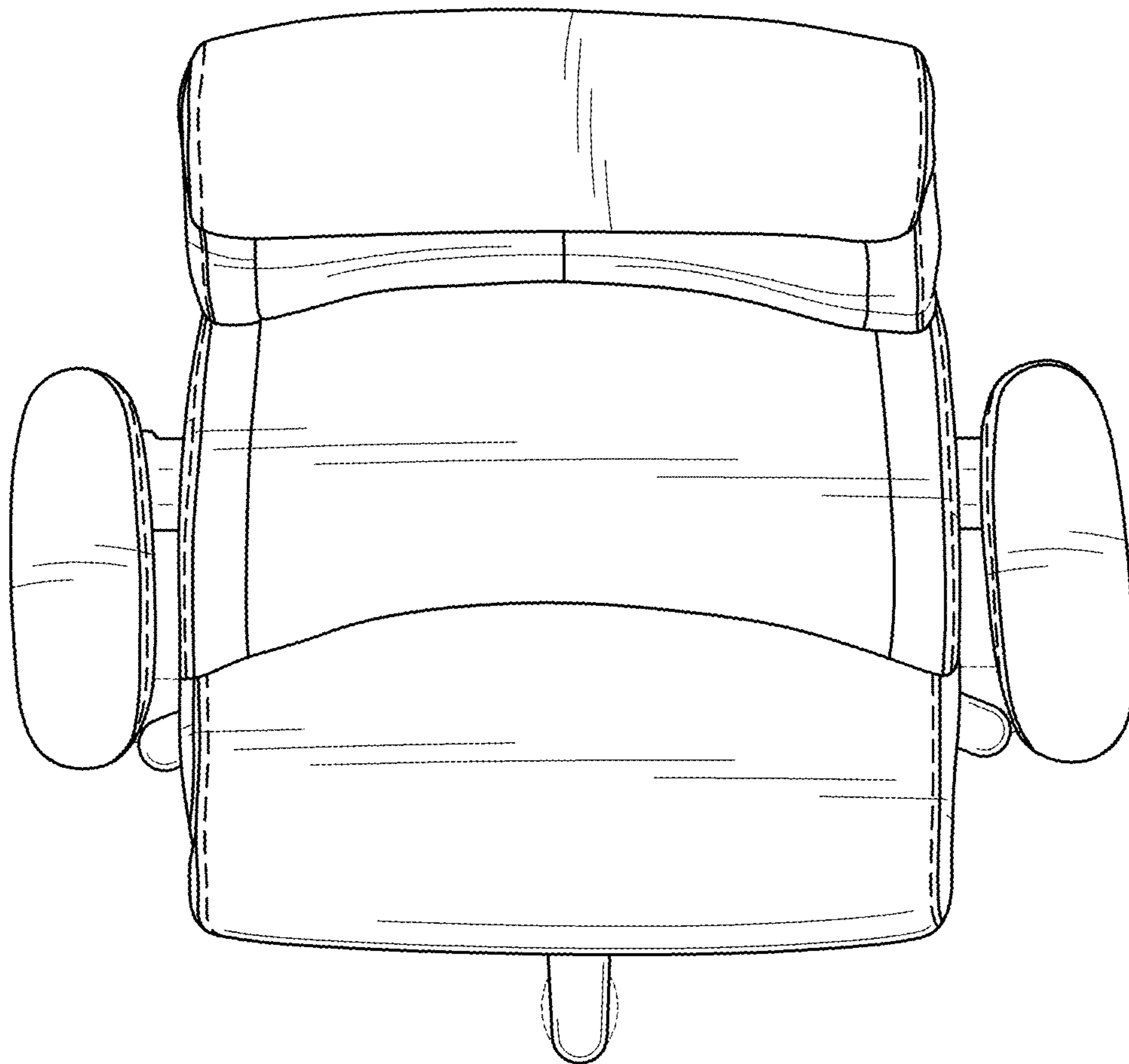


FIG. 6

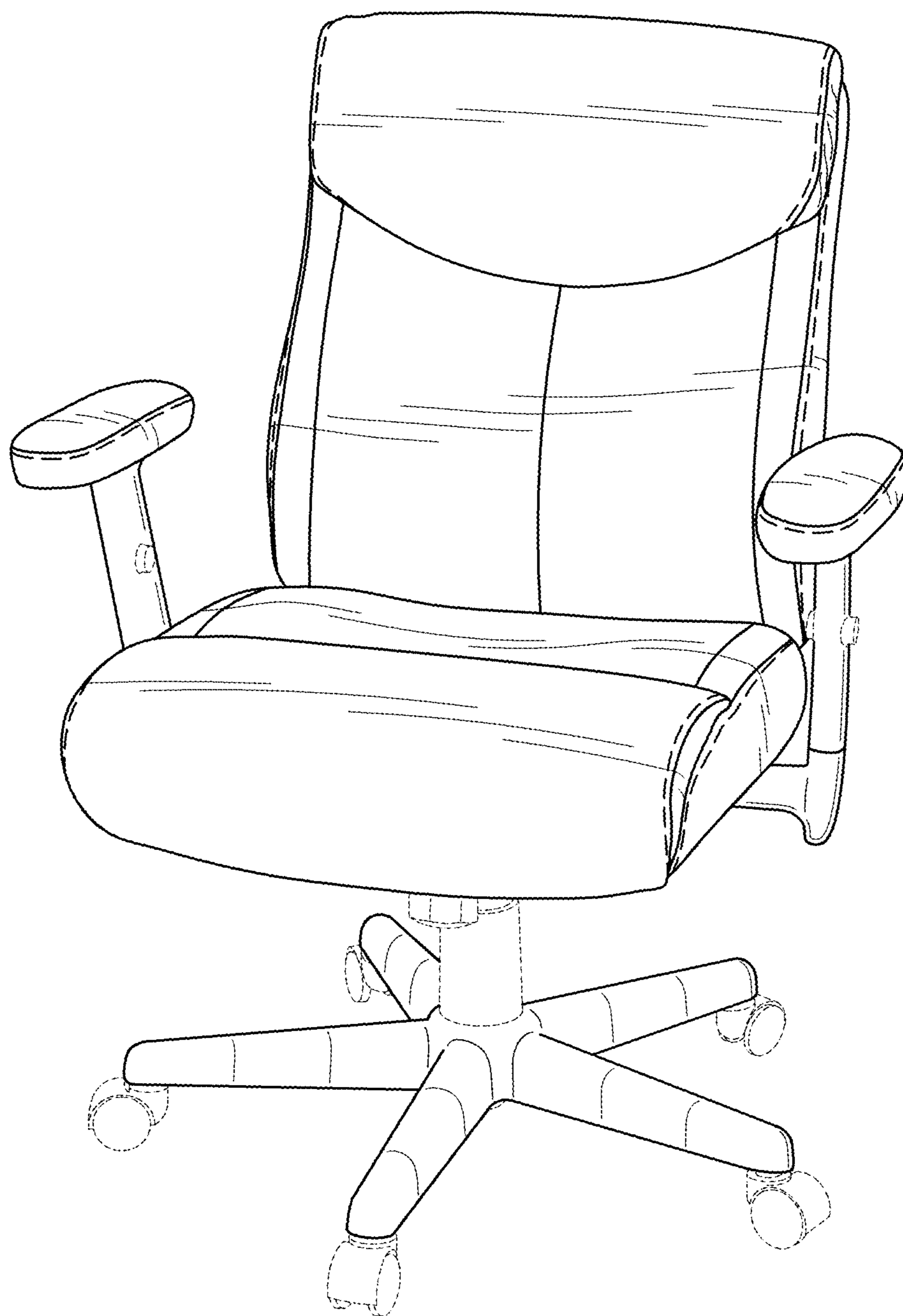


FIG. 7

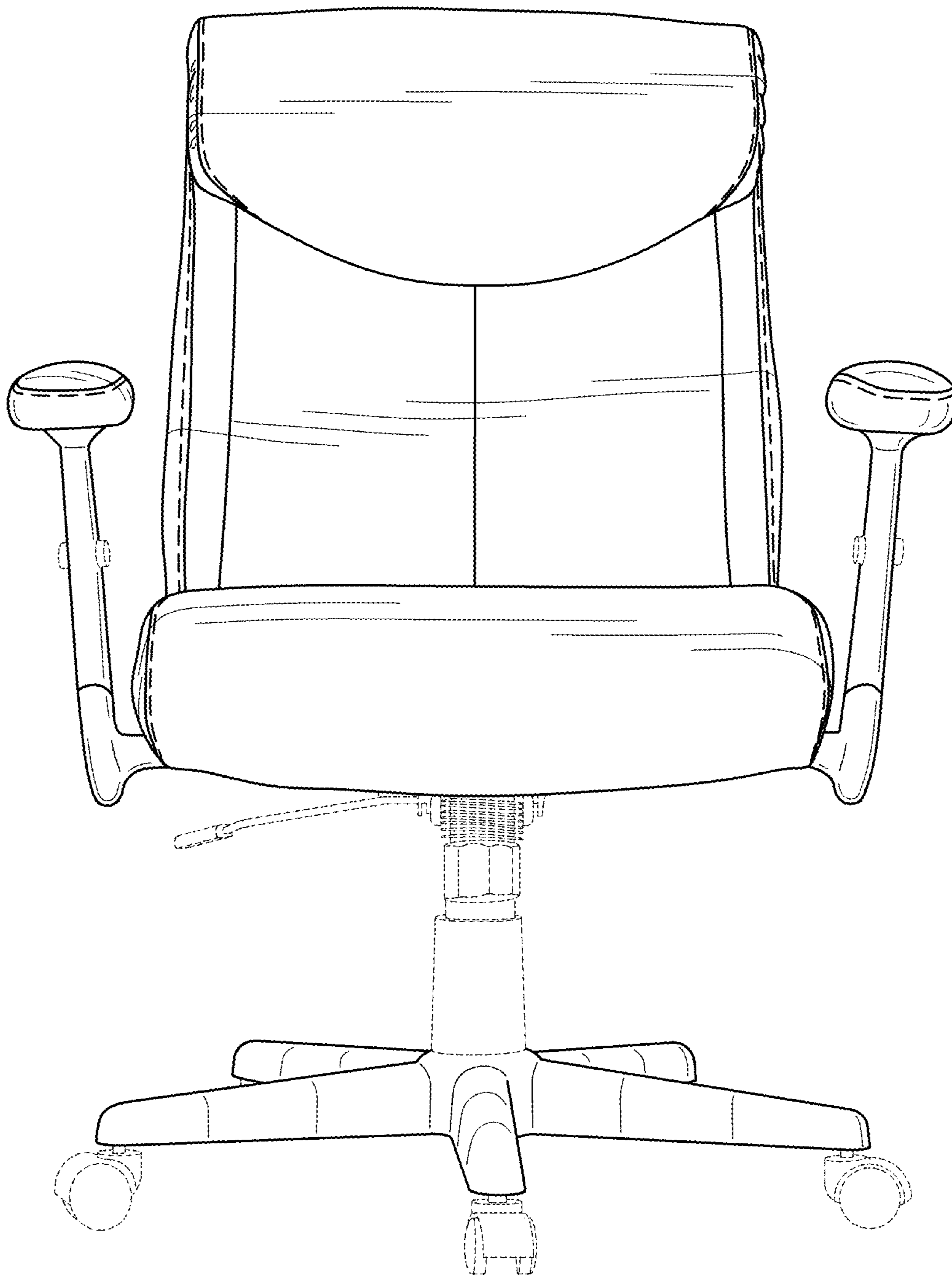


FIG. 8

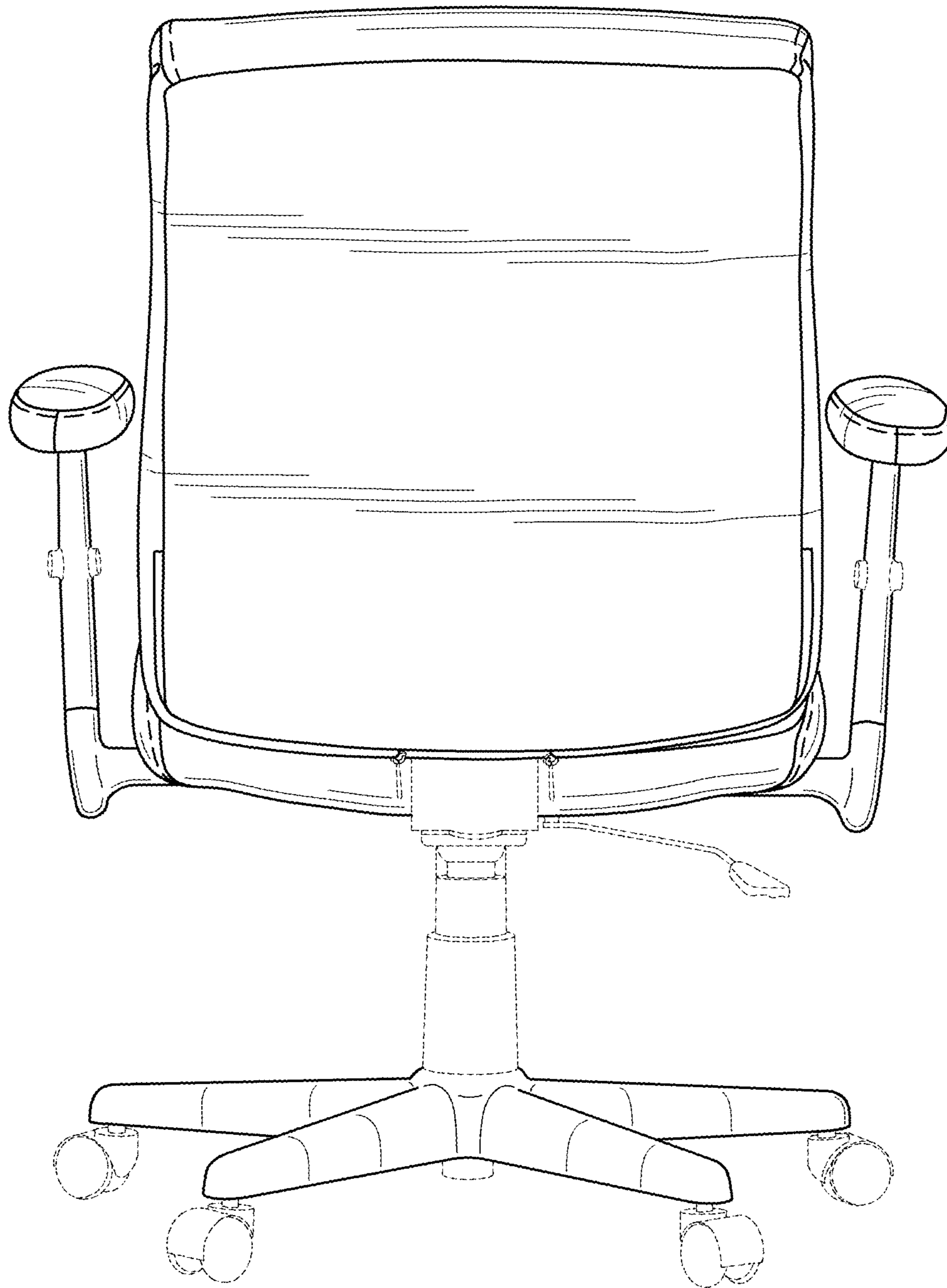


FIG. 9

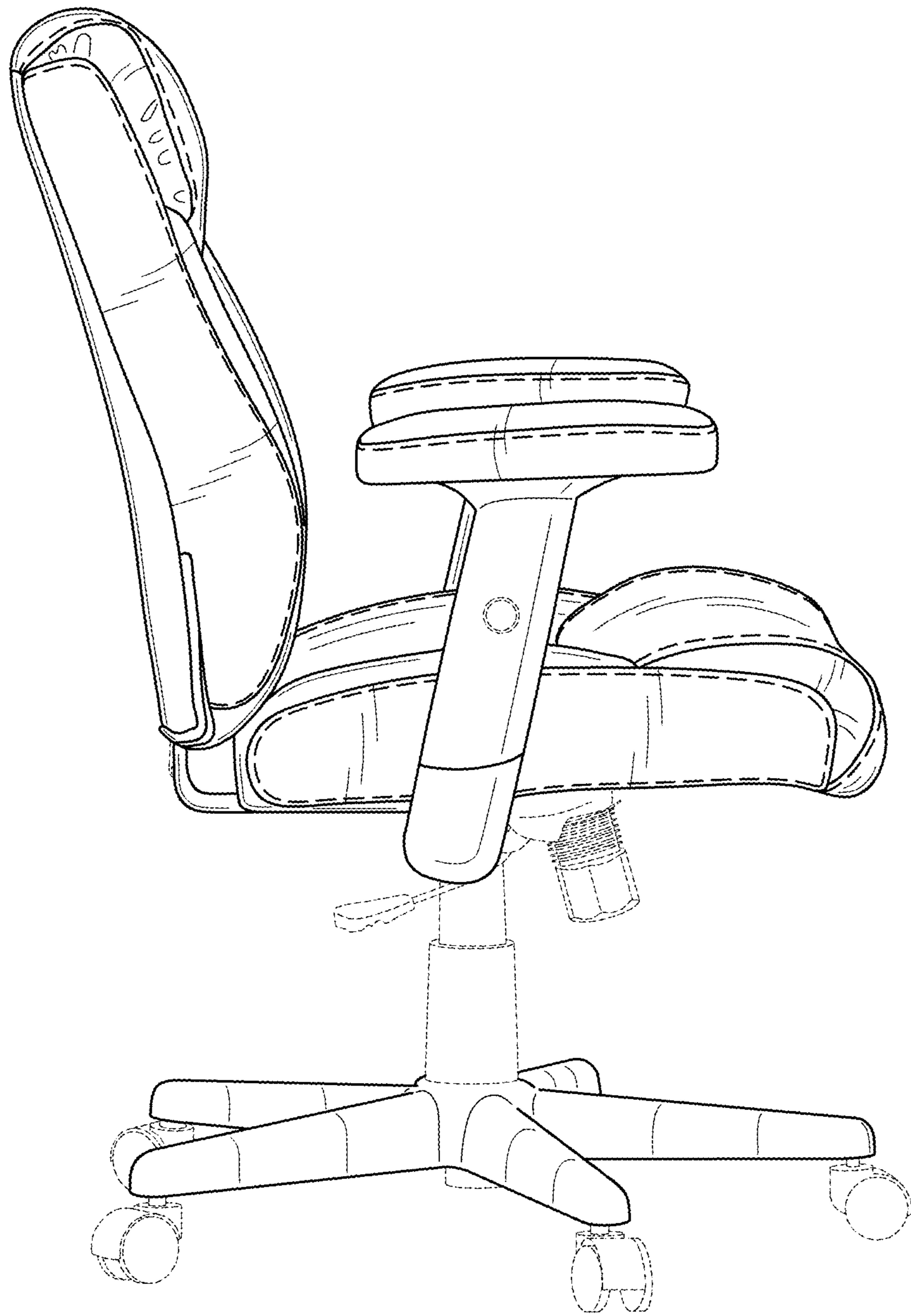


FIG. 10

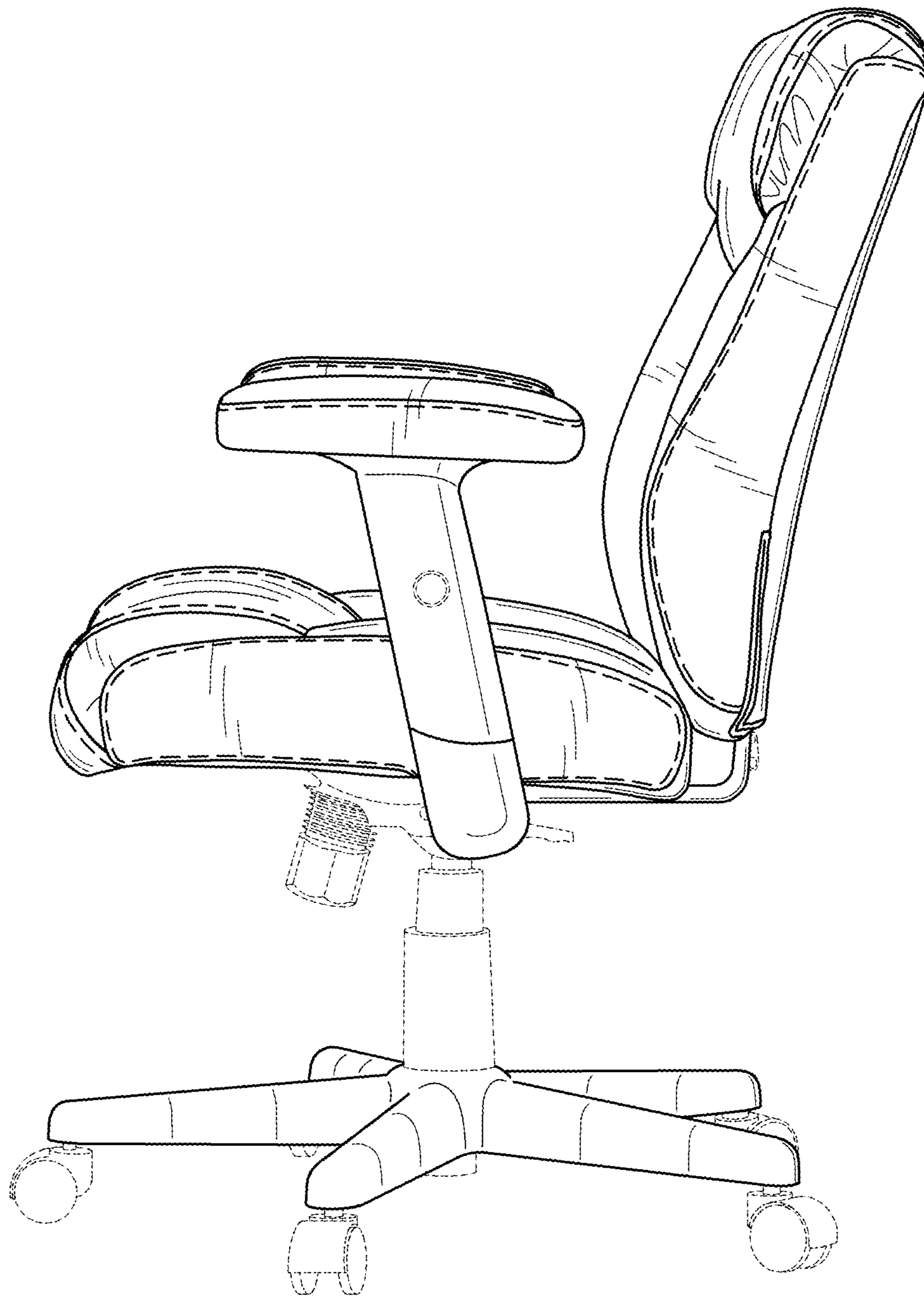


FIG. 11

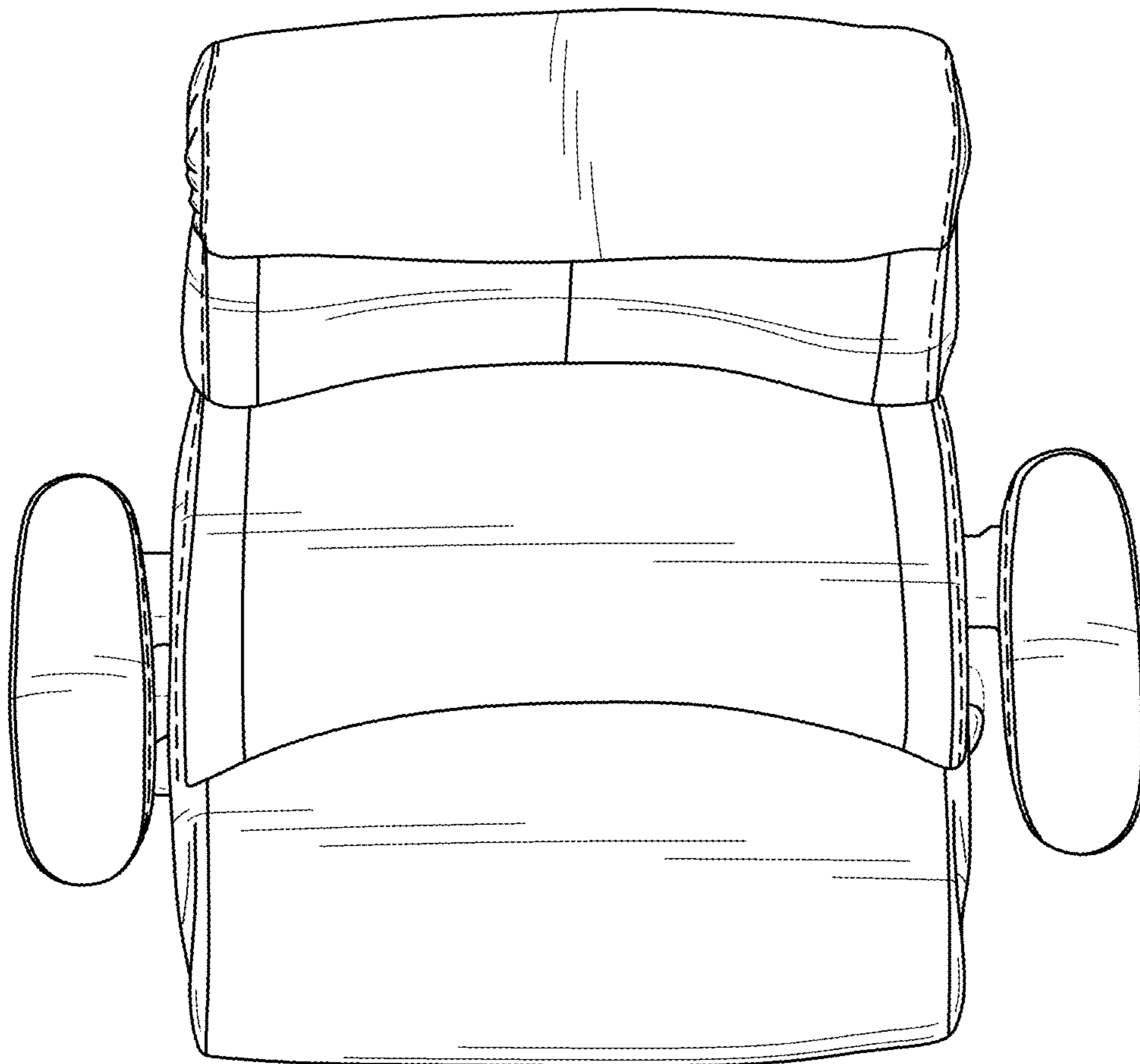


FIG. 12