



US00D880180S

(12) **United States Design Patent** (10) **Patent No.:** **US D880,180 S**
Czaja (45) **Date of Patent:** **** Apr. 7, 2020**

(54) **CHAIR**
(71) Applicant: **Williams-Sonoma, Inc.**, San Francisco, CA (US)
(72) Inventor: **Megan Czaja**, Brooklyn, NY (US)
(73) Assignee: **Williams-Sonoma, Inc.**, San Francisco, CA (US)
(**) Term: **15 Years**

D426,713 S * 6/2000 Peterson D30/118
D431,914 S * 10/2000 Lewis D6/334
D530,527 S * 10/2006 Jourdan D6/334
D596,414 S * 7/2009 Natuzzi D6/334
D600,029 S * 9/2009 Paulin D6/334
D628,400 S * 12/2010 Duchaufour Lawrance .. D6/334
D716,064 S * 10/2014 George, II D6/334
D741,077 S * 10/2015 George, II D6/371
D741,611 S * 10/2015 Lee D6/364
D746,075 S * 12/2015 Lievore D6/364
D815,449 S * 4/2018 Hannoosh D6/374
D821,773 S * 7/2018 Hale D6/375
D821,774 S * 7/2018 Hale D6/375

(21) Appl. No.: **29/651,461**

* cited by examiner

(22) Filed: **Aug. 16, 2018**

Primary Examiner — Kevin K Rudzinski

(51) **LOC (12) Cl.** **06-01**

Assistant Examiner — Paul D Bohannon

(52) **U.S. Cl.**
USPC **D6/364**

(74) *Attorney, Agent, or Firm* — Cook Alex Ltd.; R. Blake Johnston

(58) **Field of Classification Search**
USPC D6/333, 334, 344, 348, 361, 364, 377, D6/369, 370, 371, 381, 708; D30/118; D12/52; D21/521, 534–539, 674, 676, D21/687, 688, 690, 828

(57) **CLAIM**

The ornamental design for a chair, as shown and described.

CPC .. A47C 1/16; A47C 1/02; A47C 1/146; A47C 3/16; A47C 3/14; A47C 4/54; A47C 4/00; A47C 5/12; A47C 7/18; A47C 7/62; A47C 7/54; A47C 7/185; A47C 27/086; A47D 1/10; B65B 31/04; B29C 44/00; B29D 99/0092; B29D 2031/751
See application file for complete search history.

DESCRIPTION

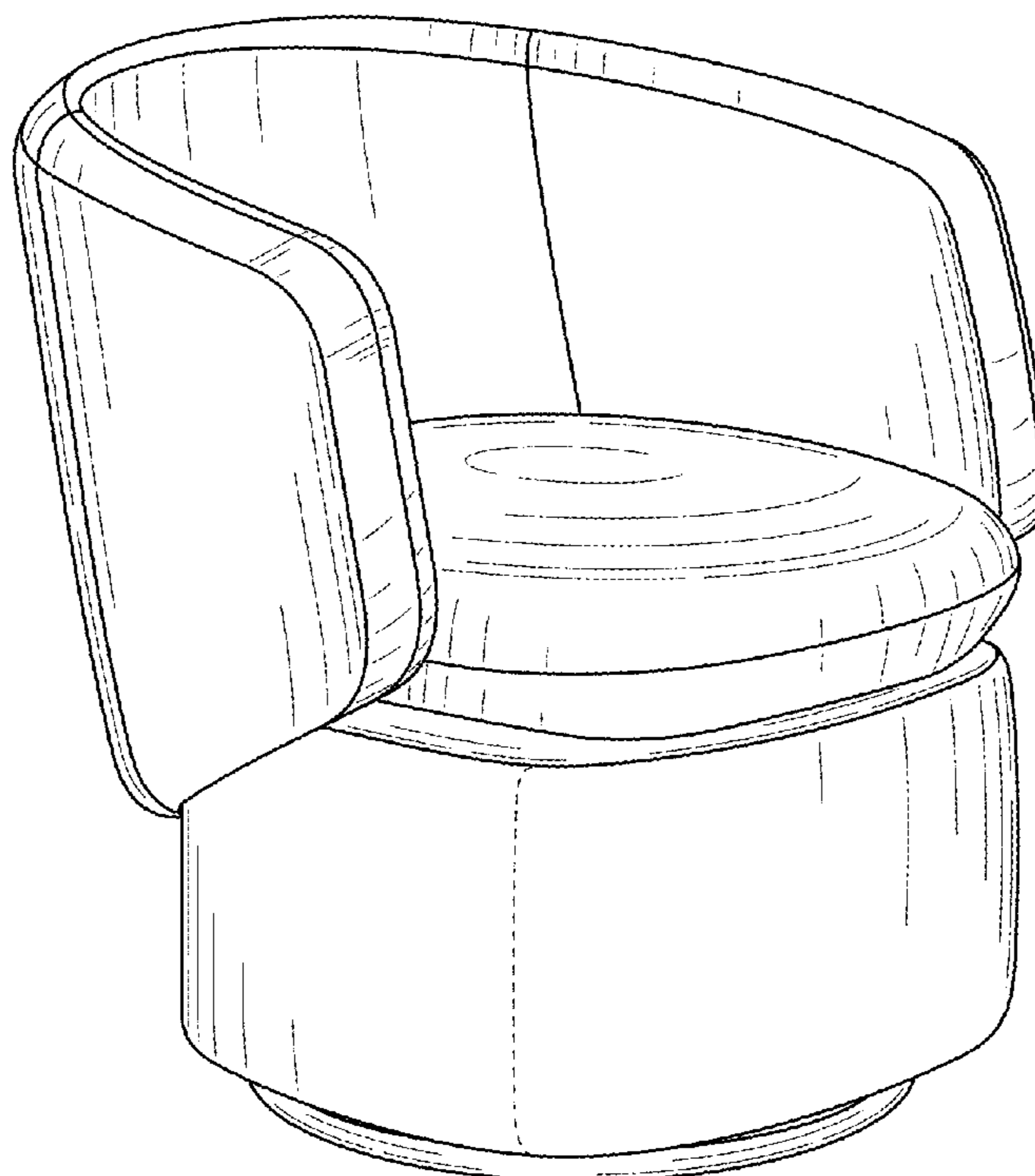
FIG. 1 is a perspective view of the chair; FIG. 2 is a front elevational view of the chair; FIG. 3 is a rear elevational view of the chair; FIG. 4 is a left side elevational view of the chair, the opposite side of which is a mirror image; FIG. 5 is a top plan view of the chair; and, FIG. 6 is a bottom plan view of the chair. The broken lines in FIGS. 1, 2 and 4 depict portions of the front surface that form no part of the claimed design.

(56) **References Cited**

U.S. PATENT DOCUMENTS

D227,835 S * 7/1973 Kuhlmann D6/364
D287,551 S * 1/1987 Lewis D6/334

1 Claim, 4 Drawing Sheets



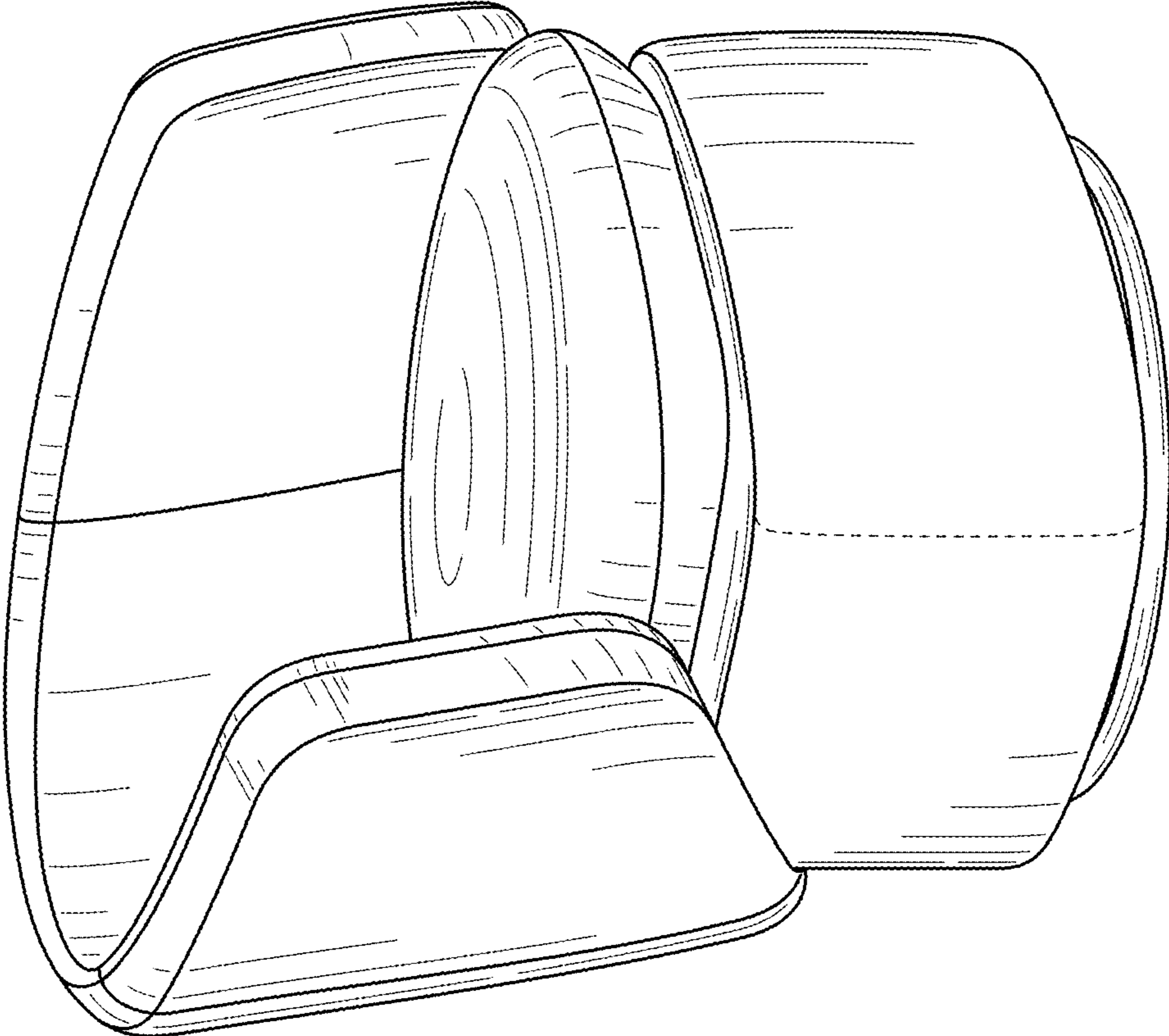


FIG. 1

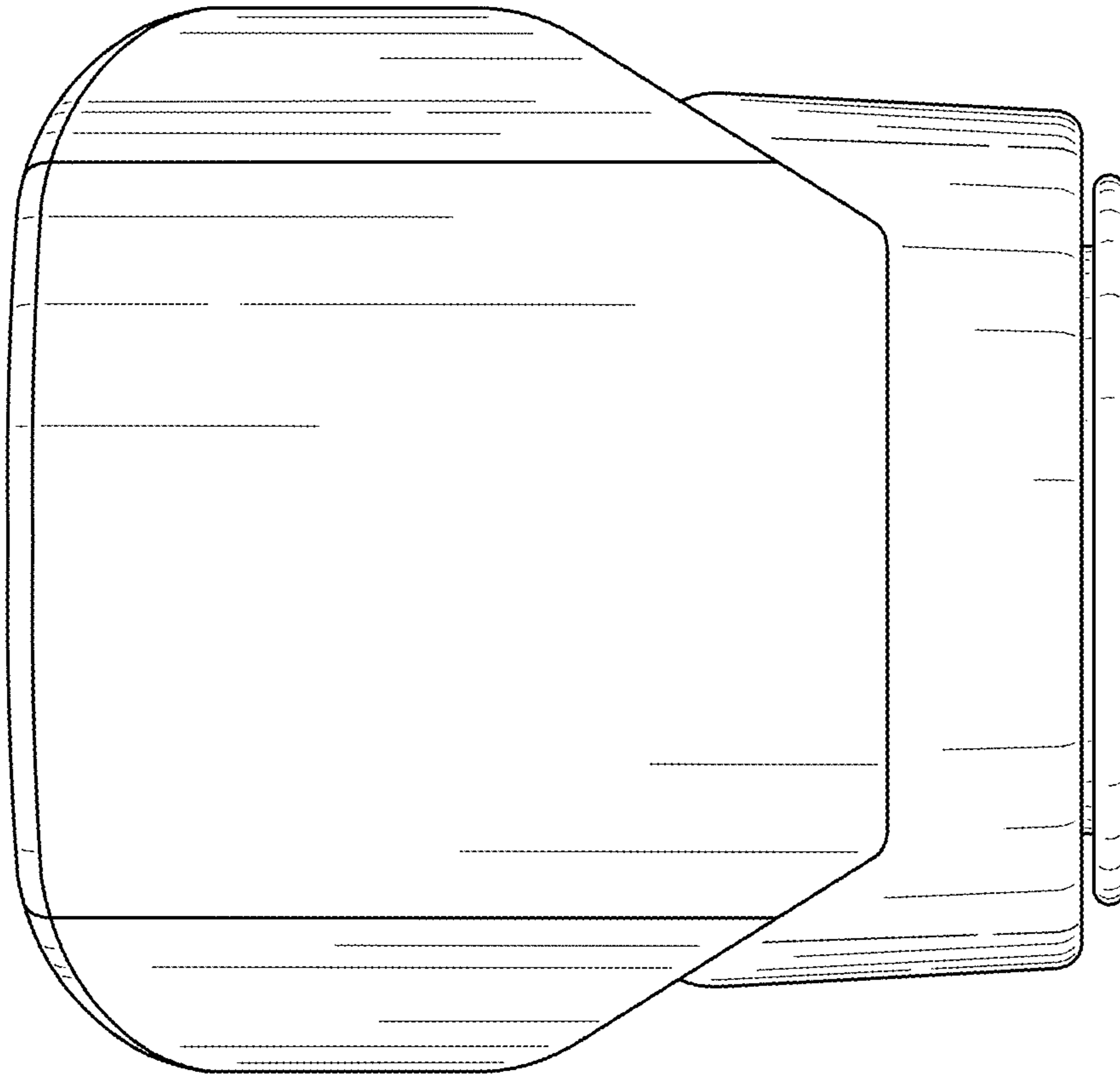


FIG. 3

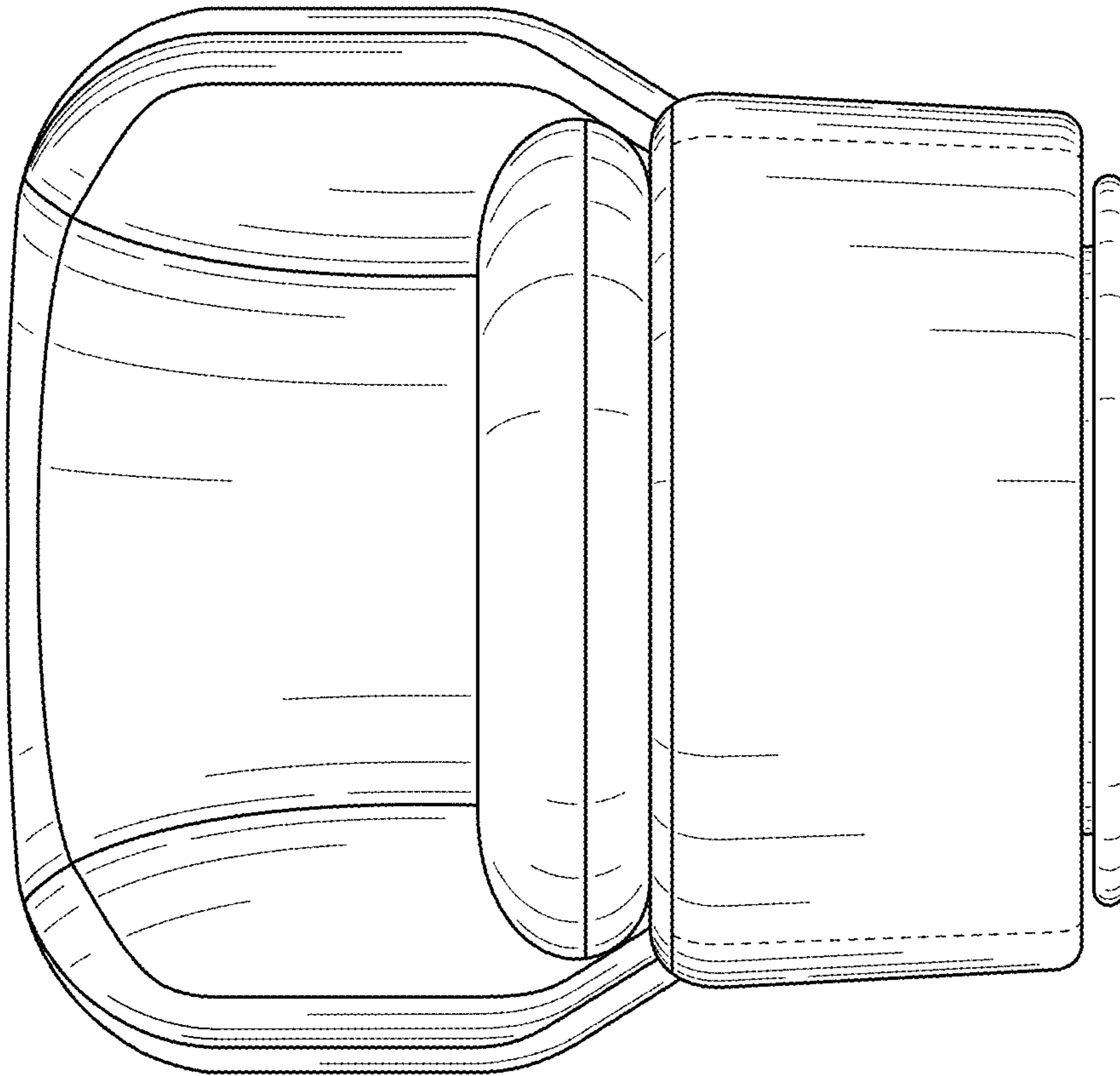


FIG. 2

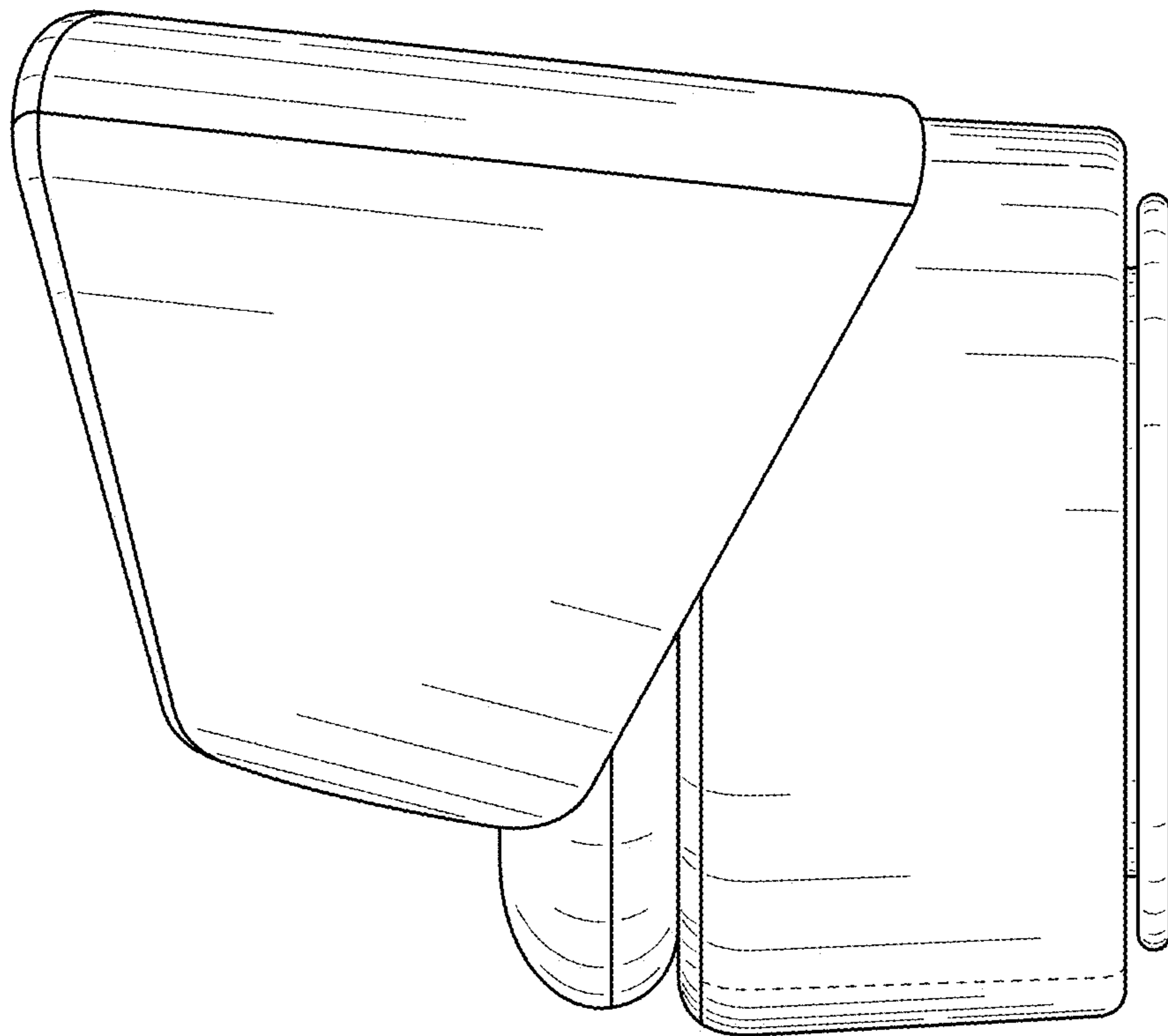


FIG. 4

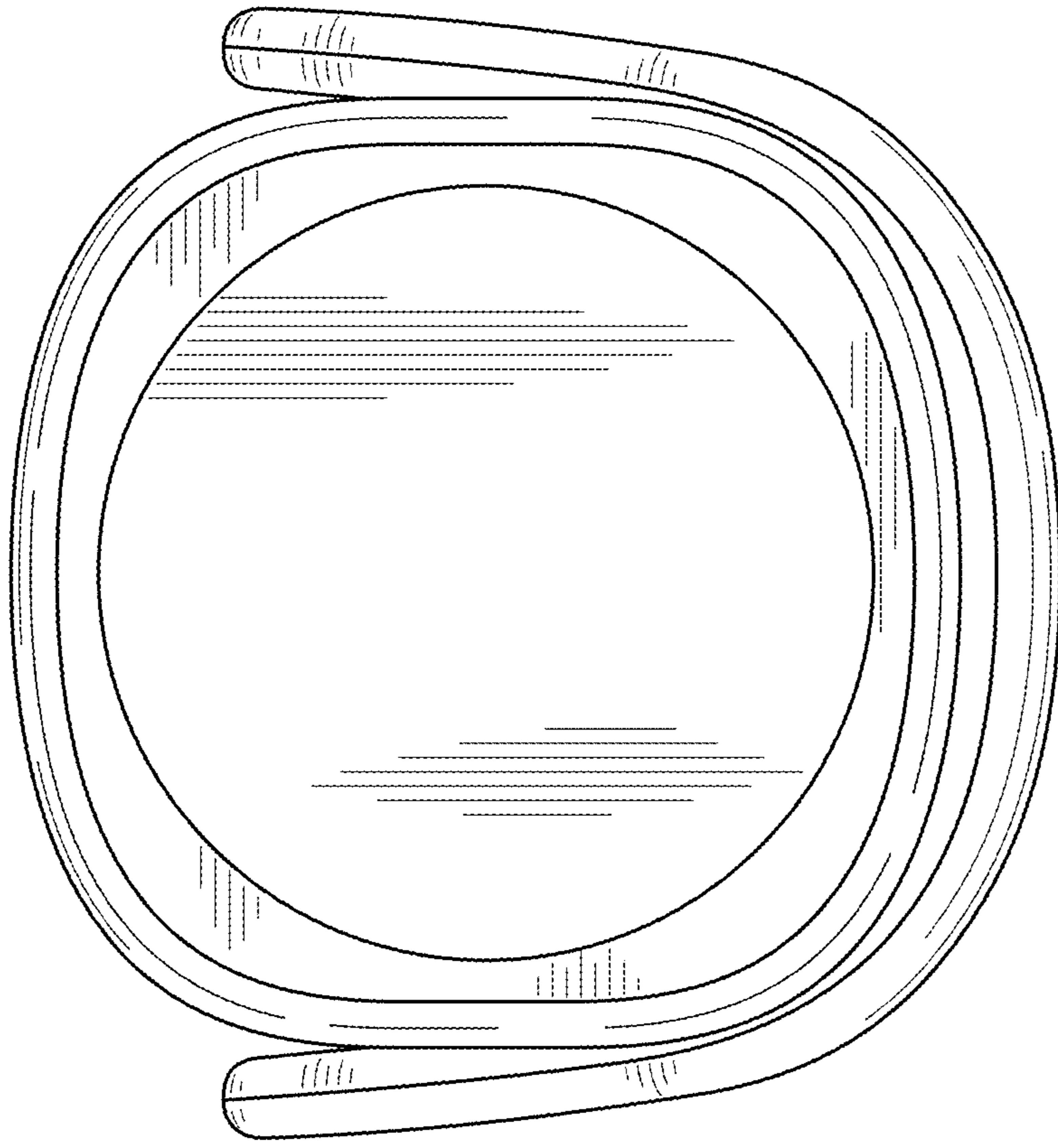


FIG. 6

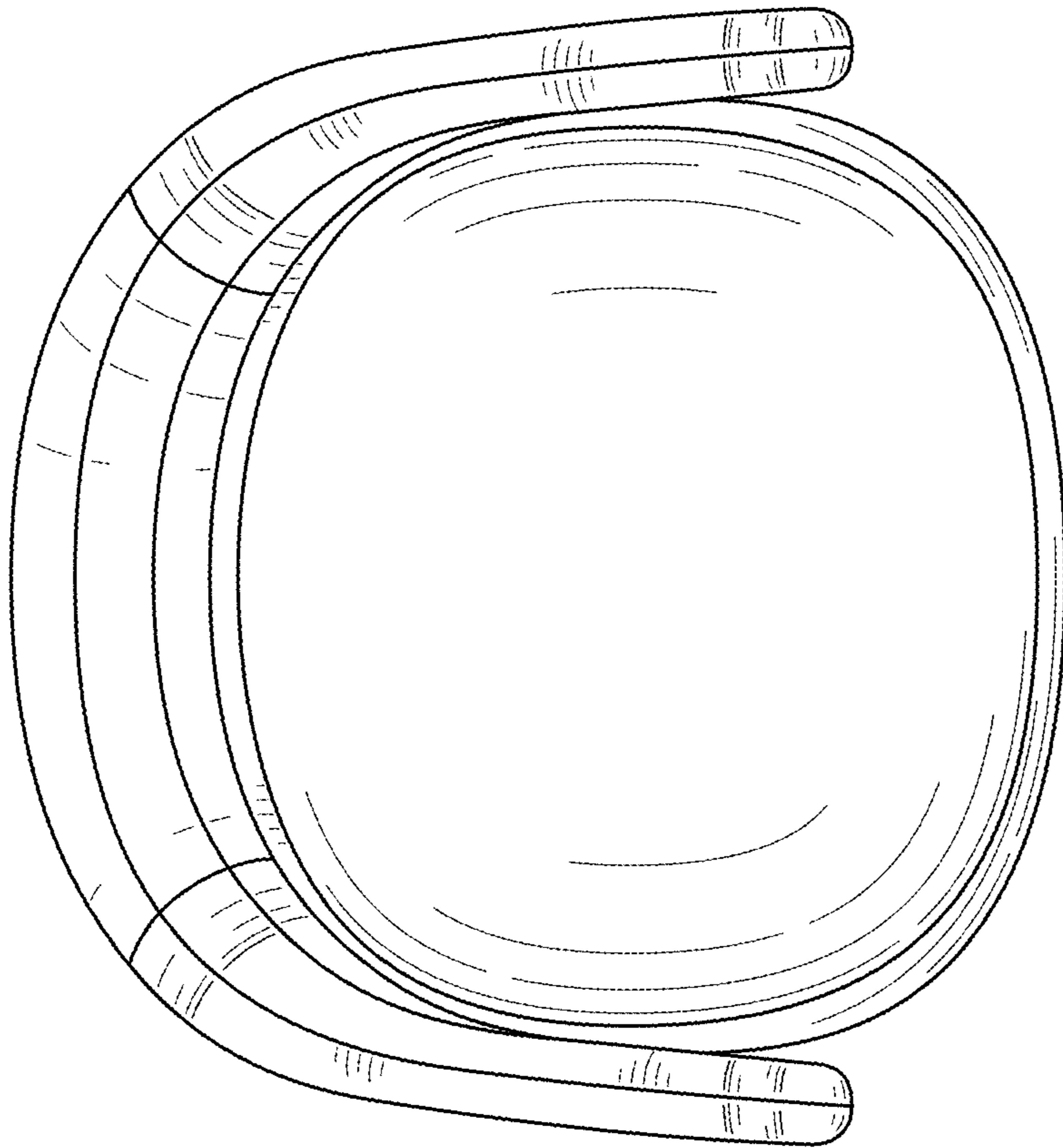


FIG. 5