



US00D880175S

(12) **United States Design Patent**
Gyllang

(10) **Patent No.:** **US D880,175 S**

(45) **Date of Patent:** **** Apr. 7, 2020**

(54) **WORK STATION FURNITURE**

(71) Applicant: **Olle Gyllang**, Stockholm (SE)

(72) Inventor: **Olle Gyllang**, Stockholm (SE)

(**) Term: **15 Years**

(21) Appl. No.: **29/633,205**

(22) Filed: **Jan. 12, 2018**

Related U.S. Application Data

(62) Division of application No. 35/502,027, filed on Jul. 20, 2016 (U.S. filing date under 35 U.S.C. 384), and having an international filing date of Jul. 20, 2016, now Pat. No. Des. 840,700.

(30) **Foreign Application Priority Data**

Feb. 1, 2016 (EP) 002967307-0020

(51) **LOC (12) Cl.** **06-01**

(52) **U.S. Cl.**
USPC **D6/338**

(58) **Field of Classification Search**

USPC D6/329, 334-338, 642, 643, 643.1

CPC A47B 9/12; A47B 21/00; A47B 37/00;

A47C 15/00; A47C 15/004; E04B 2/7437

See application file for complete search history.

(56) **References Cited**

U.S. PATENT DOCUMENTS

D208,413 S * 8/1967 Ball D6/643.1

5,134,826 A * 8/1992 La Roche E04B 2/7437

52/239

D568,062 S * 5/2008 Newhouse D6/336

D720,160 S * 12/2014 Lloyd D6/643

D726,424 S * 4/2015 Nguyen E04B 2/7405

D6/332

D740,039 S * 10/2015 Bouroullec E04B 2/7437

D6/335

D740,040 S * 10/2015 Bouroullec D6/338

D761,577 S * 7/2016 Agati D6/338

9,622,570 B1 * 4/2017 Holdredge E04B 2/7405

D786,571 S * 5/2017 Webb D6/337

D796,871 S * 9/2017 Bouroullec A47B 9/12

D6/643

D840,700 S * 2/2019 Gyllang D6/335

2017/0360189 A1 * 12/2017 Keller A47B 9/12

* cited by examiner

Primary Examiner — Mary Ann Calabrese

(74) *Attorney, Agent, or Firm* — Bachman & LaPointe, P.C.

(57) **CLAIM**

The ornamental design for work station furniture, as shown and described.

DESCRIPTION

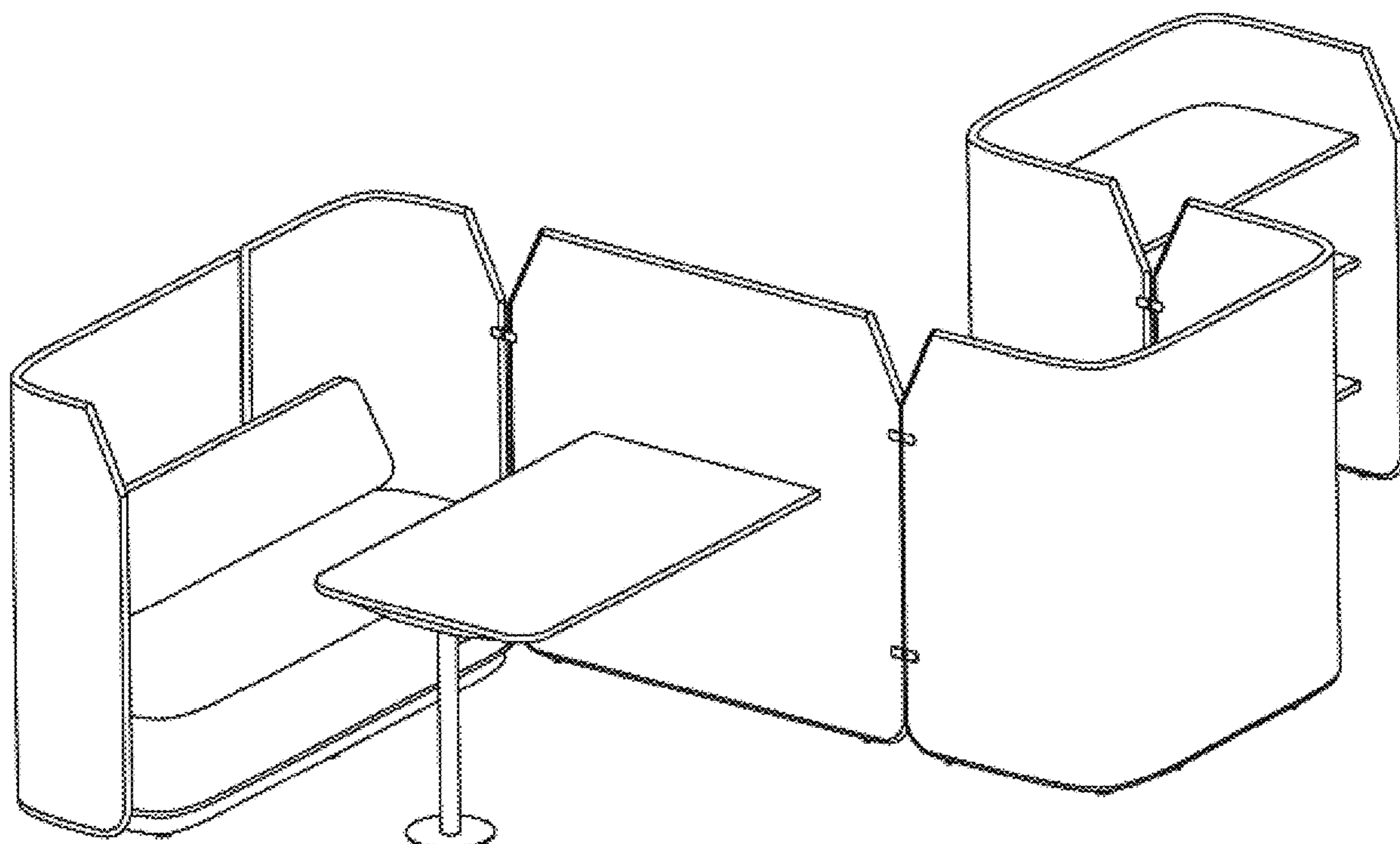
FIG. 1 is a perspective view of work station furniture showing my new design;

FIG. 2 is a left side elevation view thereof;

FIG. 3 is a right side elevation view thereof; and,

FIG. 4 is a top plan view thereof.

1 Claim, 4 Drawing Sheets



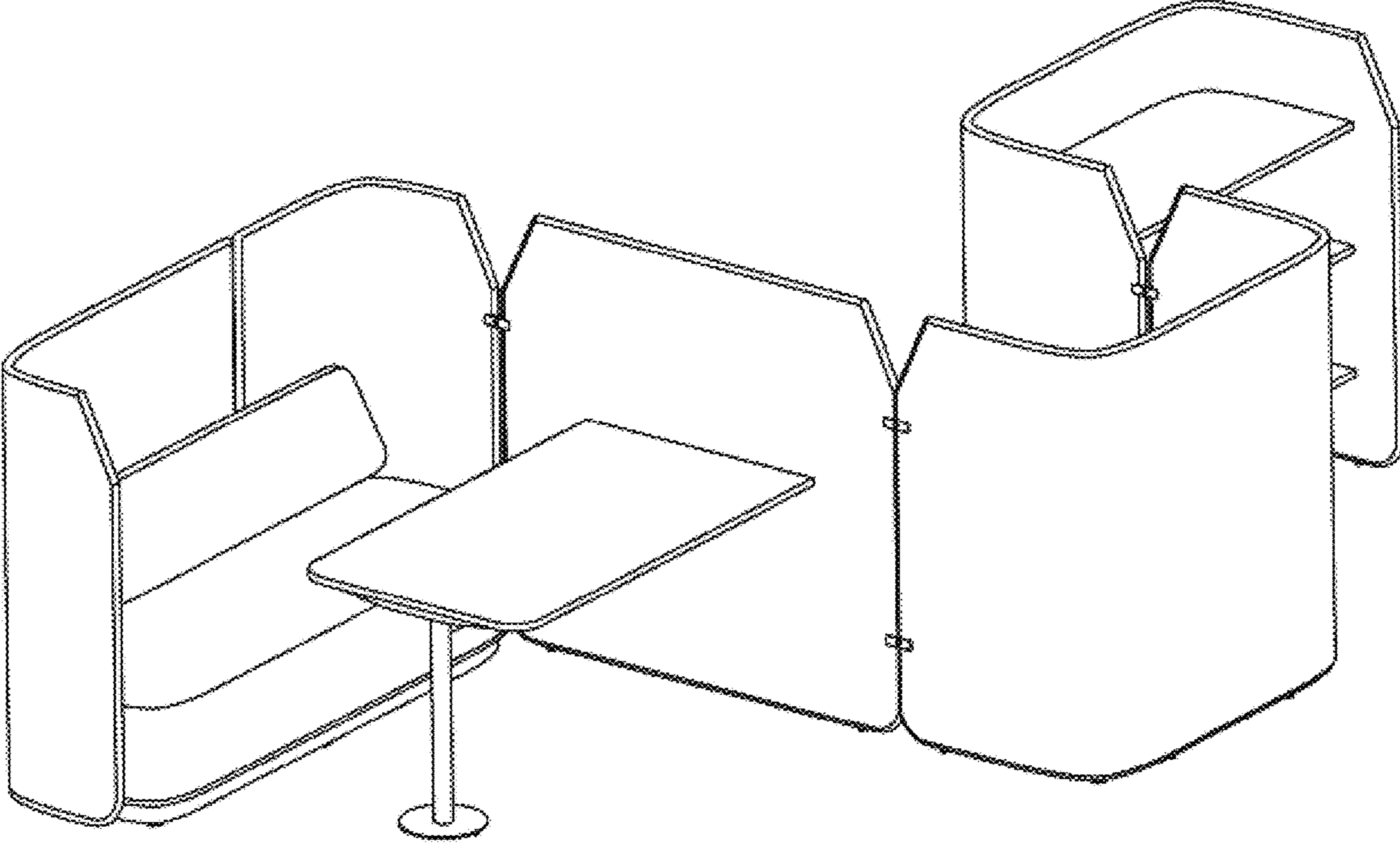


FIG. 1

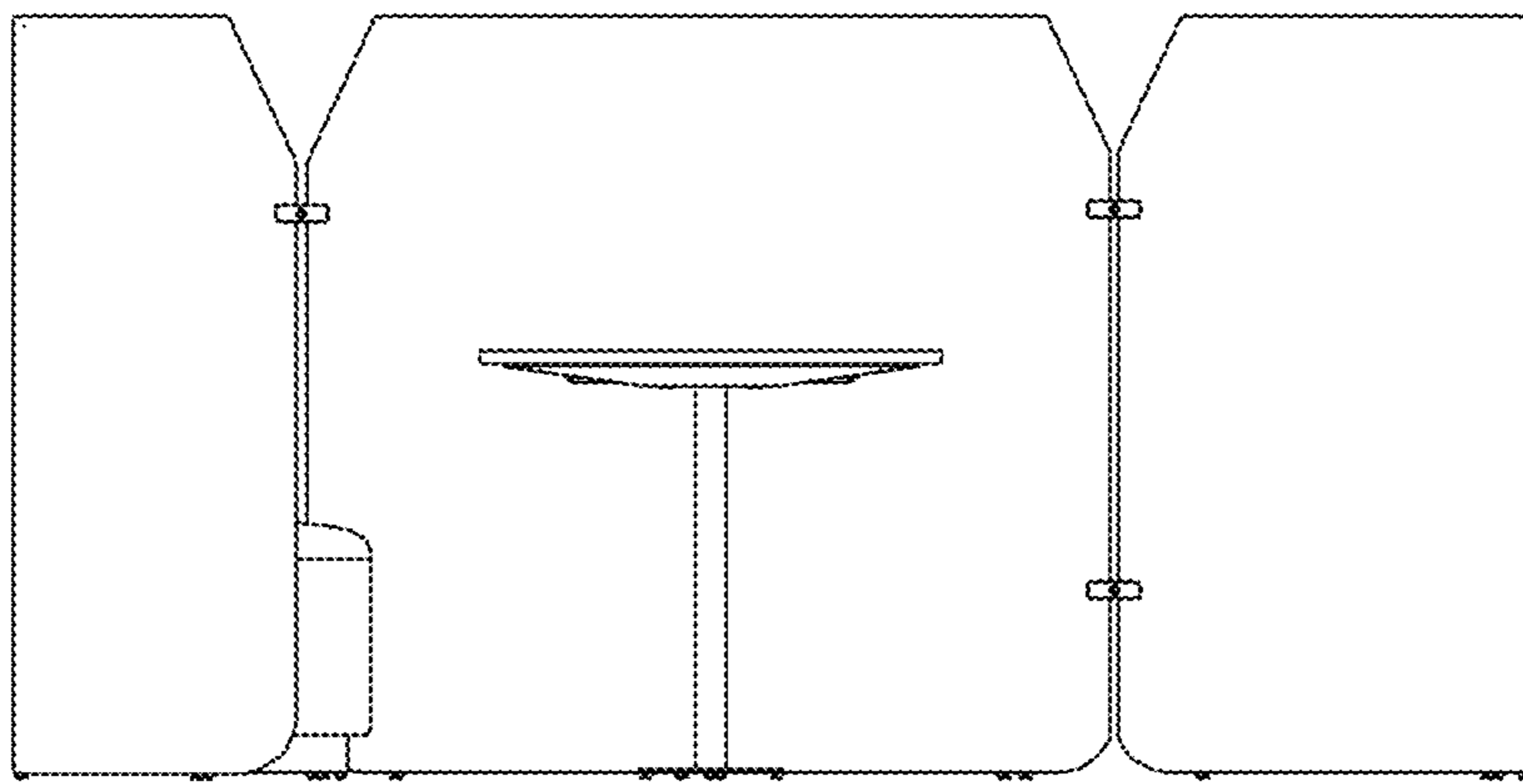


FIG. 2

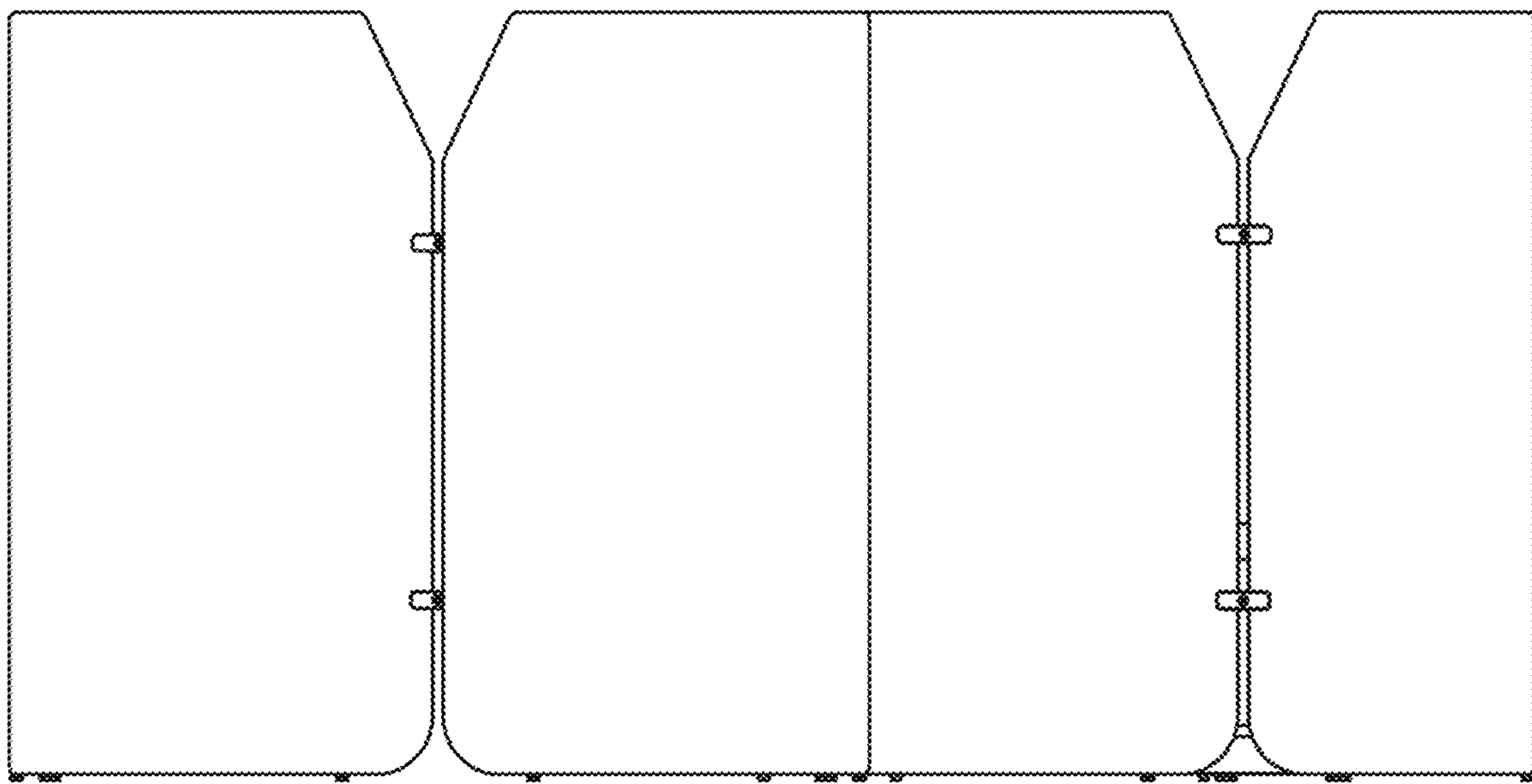


FIG. 3

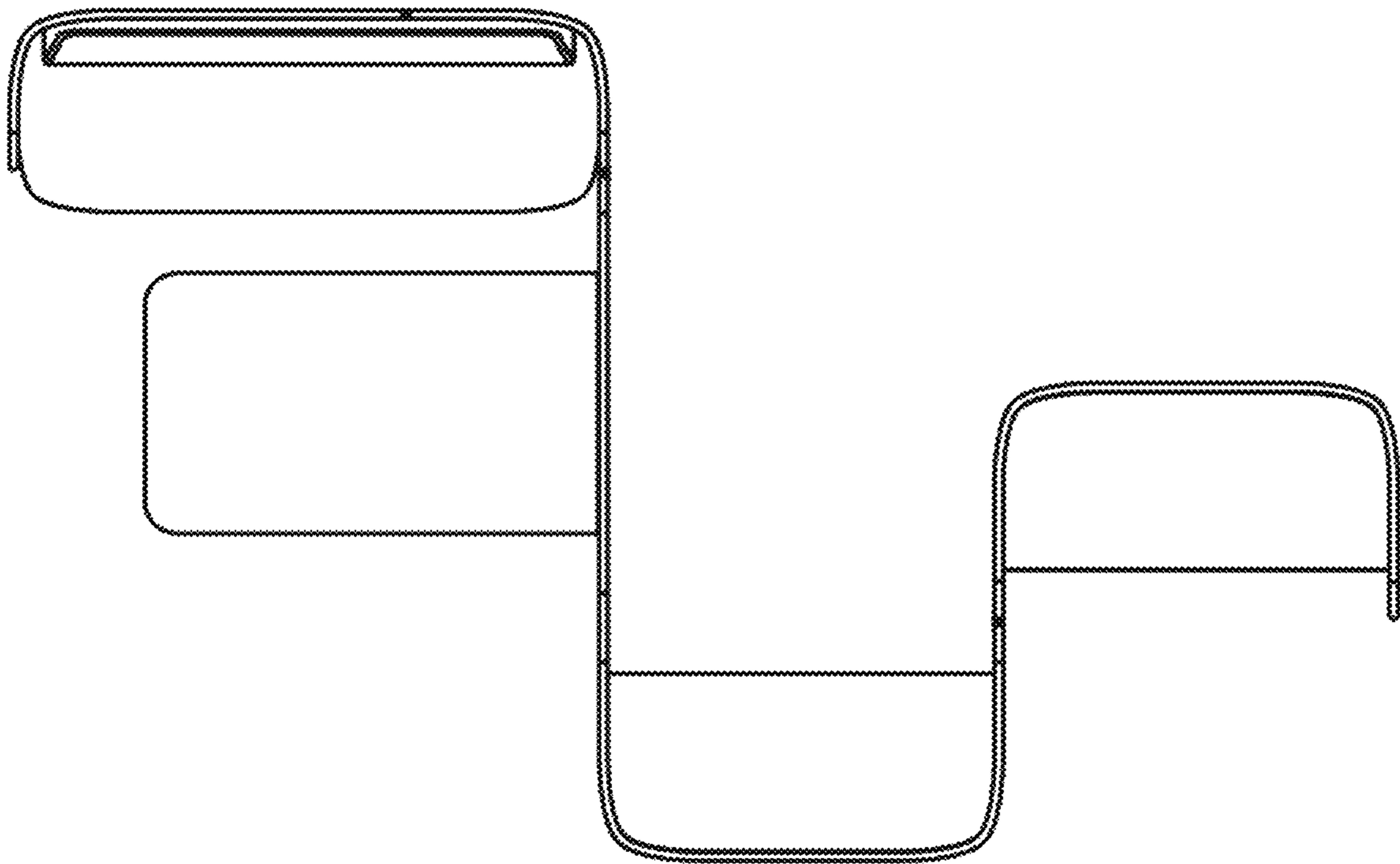


FIG. 4