



US00D880174S

(12) **United States Design Patent** (10) **Patent No.:** **US D880,174 S**
Larson (45) **Date of Patent:** **** Apr. 7, 2020**

(54) **FURNITURE ITEM**
 (71) Applicant: **Ori Inc.**, Boston, MA (US)
 (72) Inventor: **Kent Larson**, Boston, MA (US)
 (73) Assignee: **Ori Inc.**, Boston, MA (US)
 (**) Term: **15 Years**
 (21) Appl. No.: **29/669,577**
 (22) Filed: **Nov. 9, 2018**
 (51) **LOC (12) Cl.** **06-05**
 (52) **U.S. Cl.**
 USPC **D6/335**
 (58) **Field of Classification Search**
 USPC D6/329, 334–338, 383, 384, 389
 CPC A47C 13/00; A47C 19/20; A47C 19/207;
 A47C 19/22
 See application file for complete search history.

2007/0074342 A1* 4/2007 Kaempfen A47C 17/84
 5/11
 2014/0159410 A1* 6/2014 Rasmussen A47C 19/20
 296/24.33
 2018/0027978 A1* 2/2018 Johnson A47C 17/84

OTHER PUBLICATIONS

<https://www.espace-loggia.com/en/> accessed on Jan. 17, 2019.
<http://www.bumblebeespaces.com>> accessed on Jan. 17, 2019.

* cited by examiner

Primary Examiner — Cathron C Brooks
 (74) *Attorney, Agent, or Firm* — Goodwin Procter LLP

(57) **CLAIM**

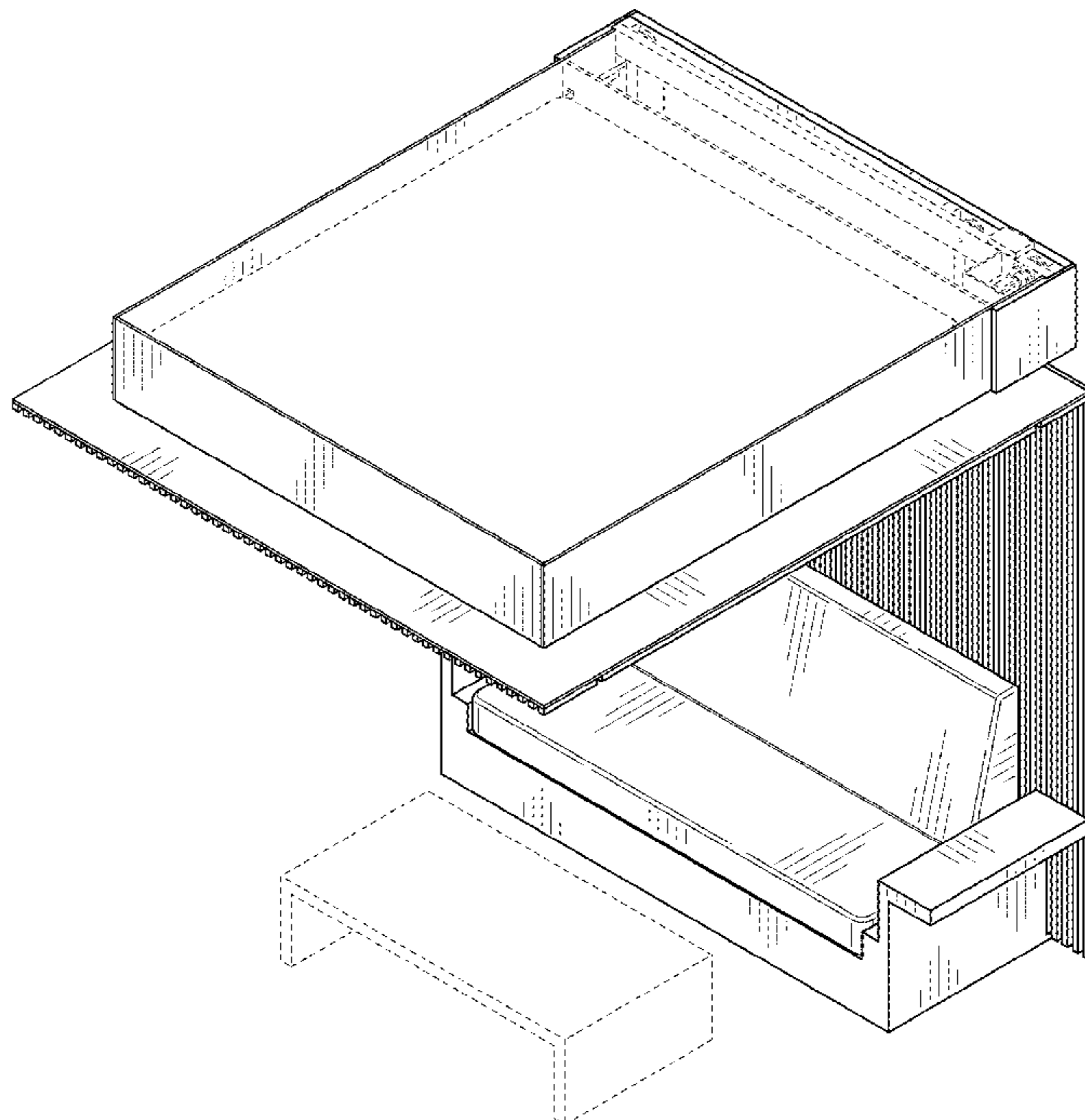
The ornamental design for the furniture item, as shown and described.

DESCRIPTION

FIG. 1 is a top front perspective view of a furniture item;
 FIG. 2 is a front view of the furniture item;
 FIG. 3 is a rear view of the furniture item;
 FIG. 4 is a right side view of the furniture item;
 FIG. 5 is a left side view of the furniture item;
 FIG. 6 is a top view of the furniture item;
 FIG. 7 is a bottom view of the furniture item;
 FIG. 8 is a bottom front perspective view of the furniture item; and,
 FIG. 9 is an enlarged view of the portion labeled as FIG. 9 in FIG. 8.
 The broken lines shown in the drawings illustrate the environment of the claimed design and form no part thereof.

(56) **References Cited**
 U.S. PATENT DOCUMENTS
 D241,094 S * 8/1976 Olko D6/335
 5,461,735 A * 10/1995 Danton A47C 17/84
 5/10.2
 D583,586 S * 12/2008 Gudenkauf D6/384
 7,874,026 B2 * 1/2011 Gudenkauf A47C 17/84
 5/10.1
 D719,367 S * 12/2014 Karasek D6/370
 D740,042 S * 10/2015 Murray D6/357
 D809,808 S * 2/2018 Sarkkinen D6/337
 D829,009 S * 9/2018 MacAllen D6/335
 D851,954 S * 6/2019 Glaser D6/381
 10,463,161 B2 * 11/2019 Johnson A47C 17/86
 2004/0143901 A1 * 7/2004 Roepke A47C 17/84
 5/10.2

1 Claim, 9 Drawing Sheets



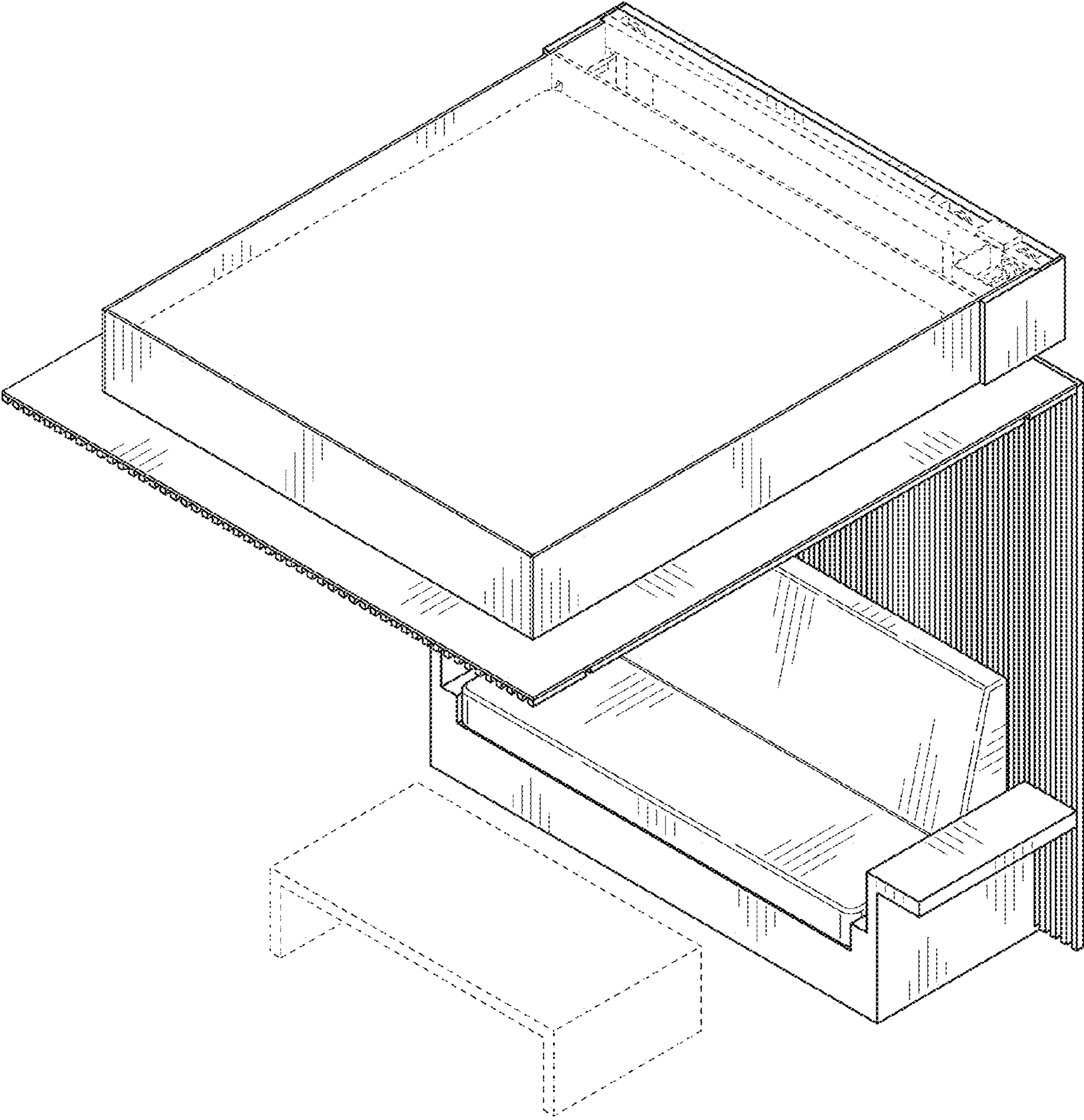


FIG. 1

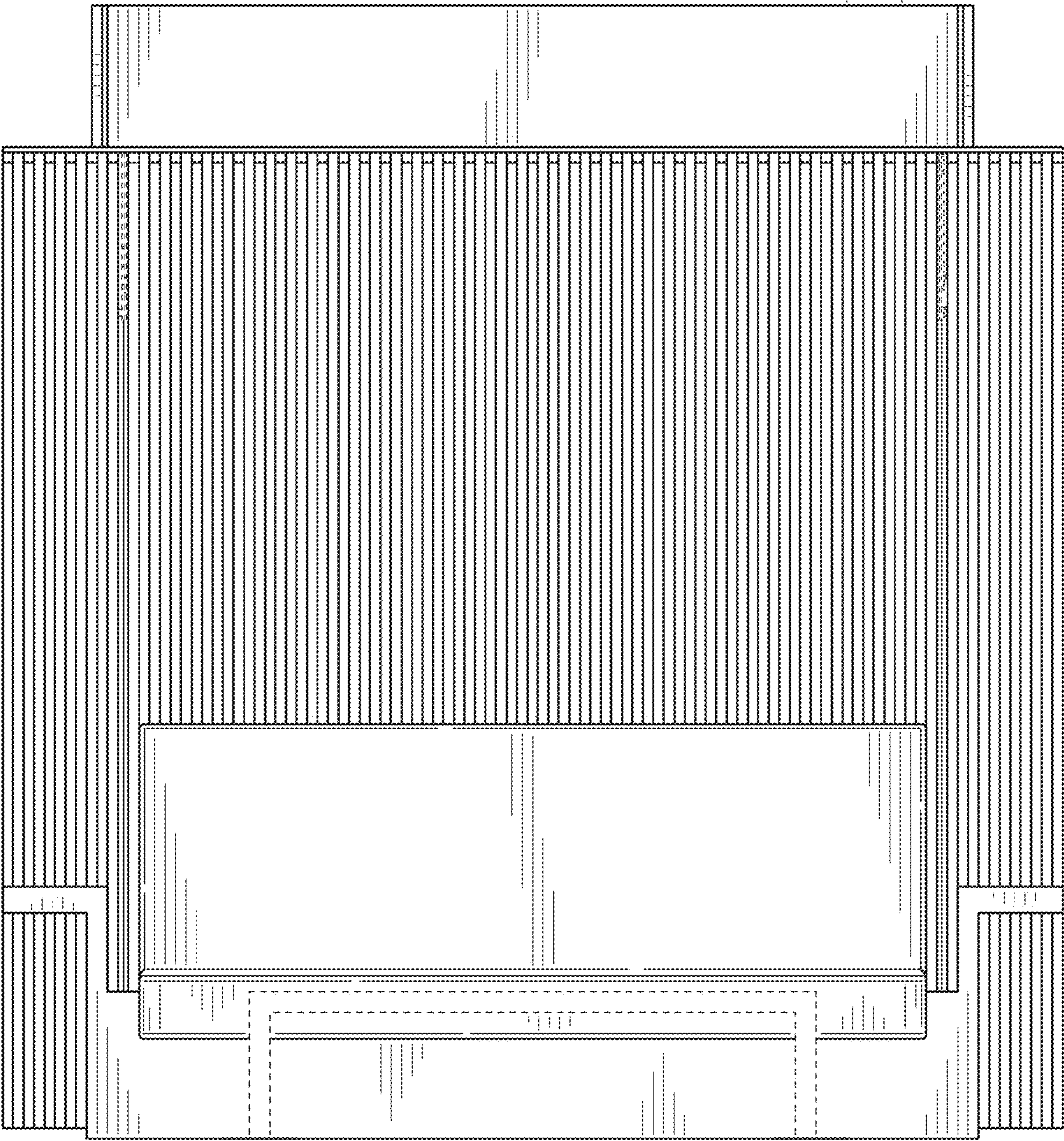


FIG. 2

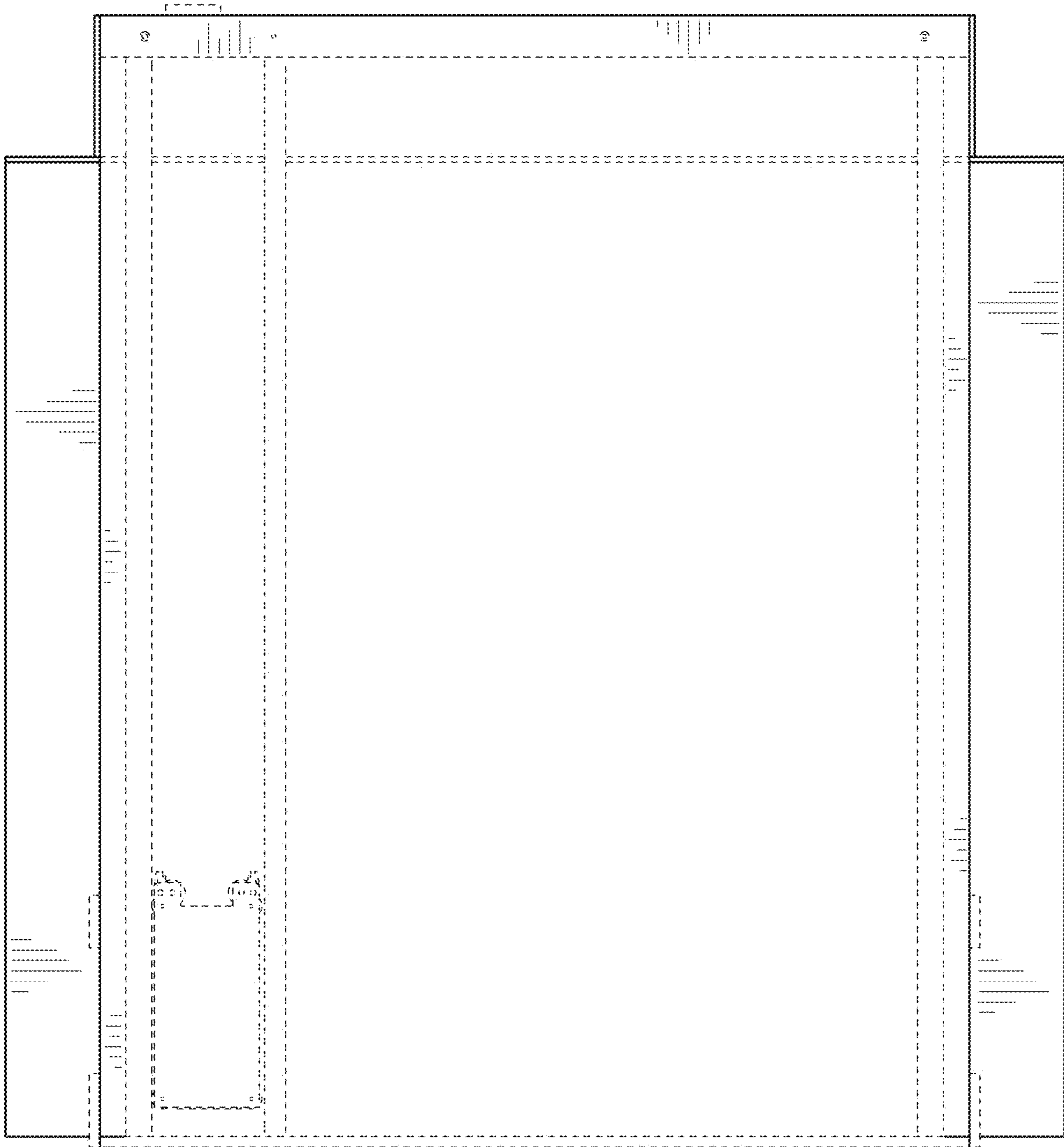


FIG. 3

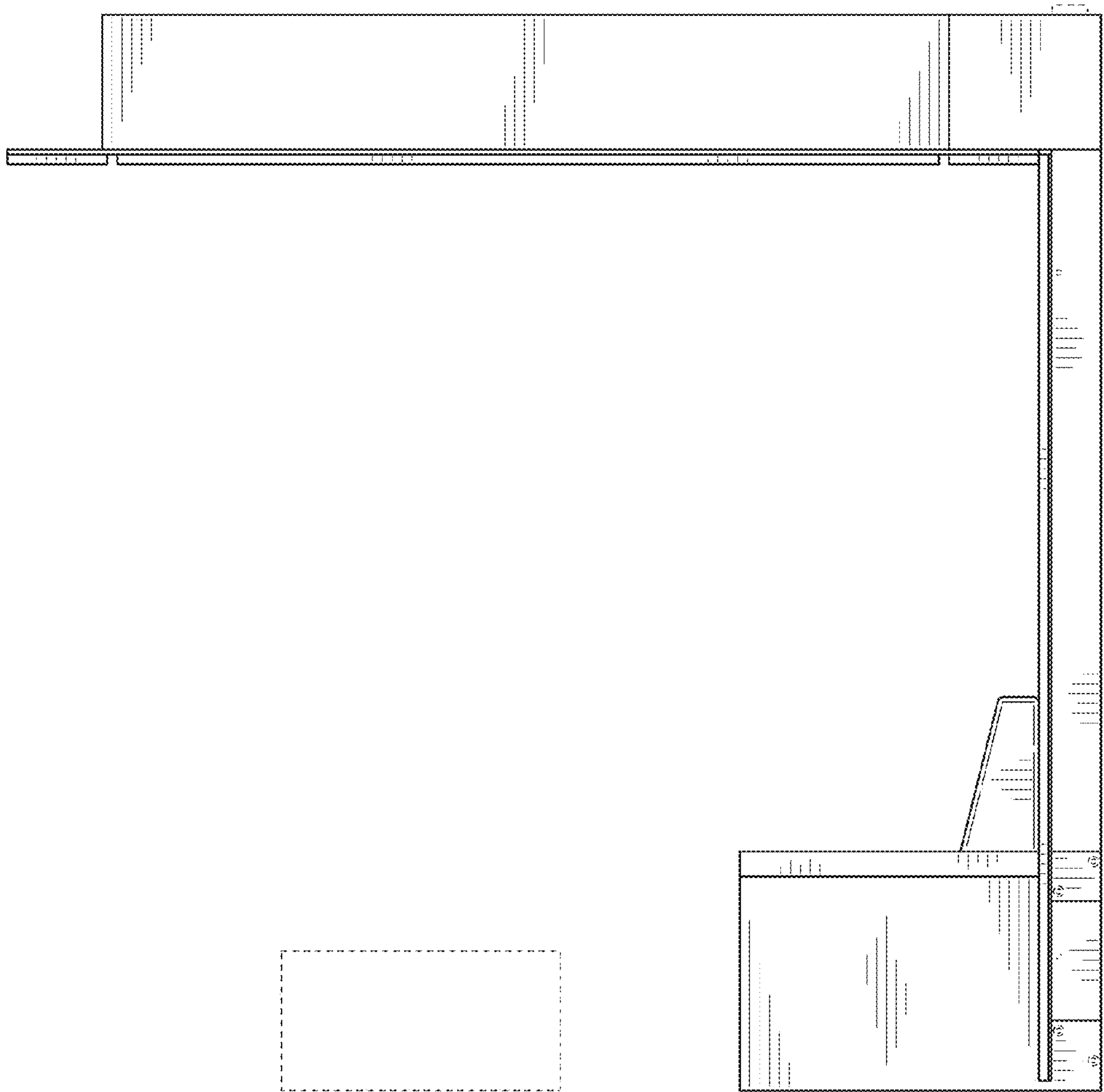


FIG. 4

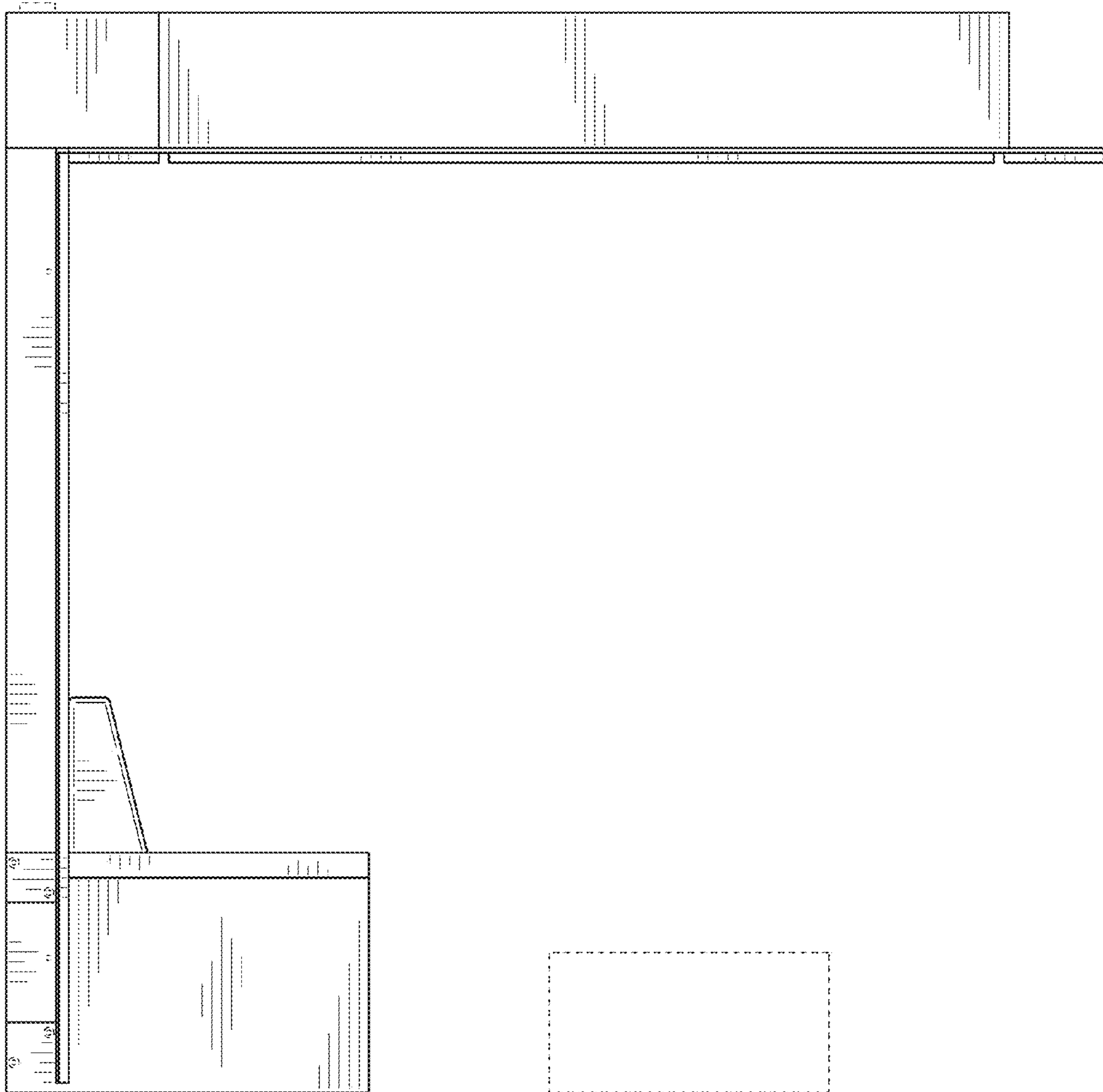


FIG. 5

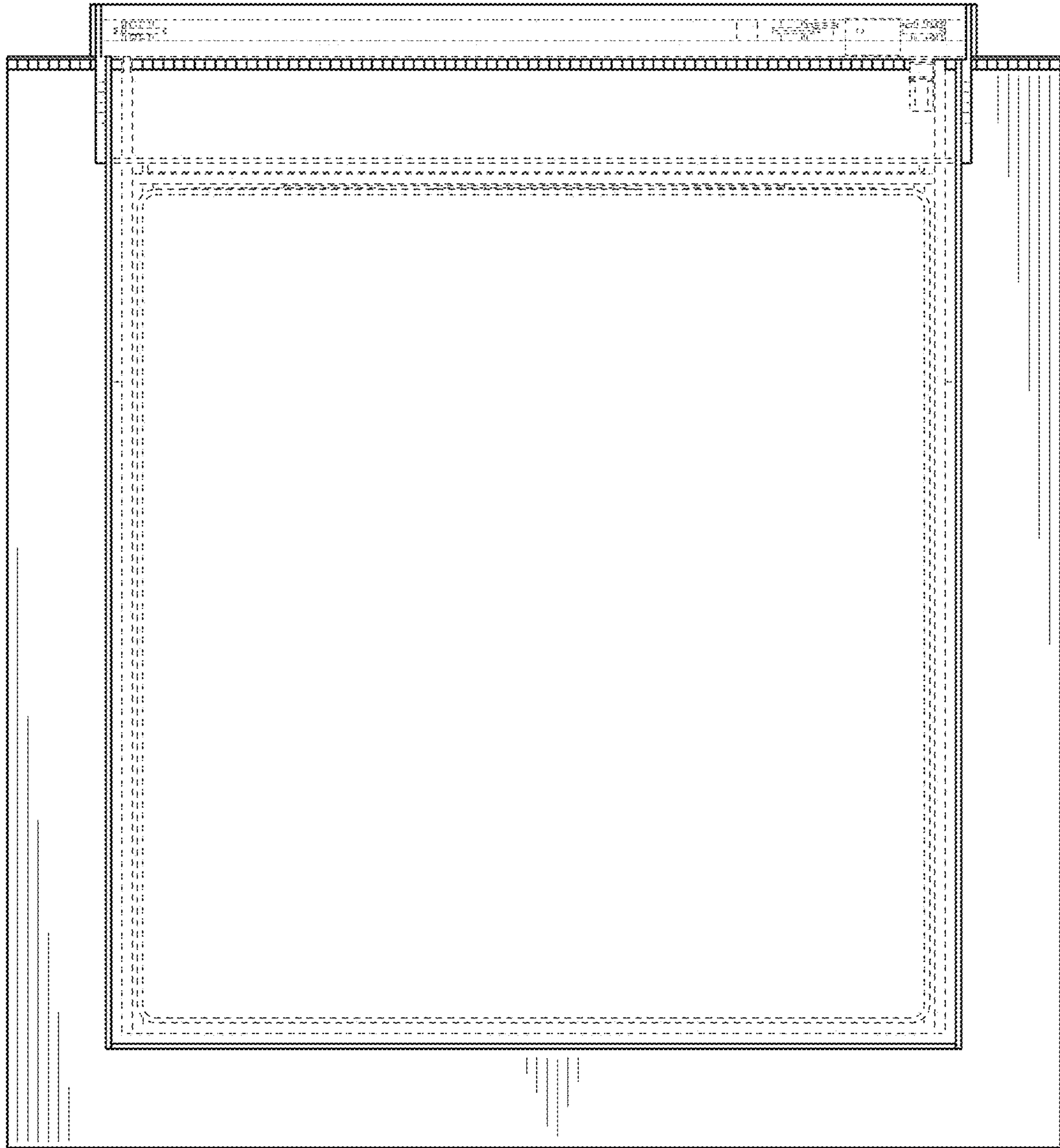


FIG. 6

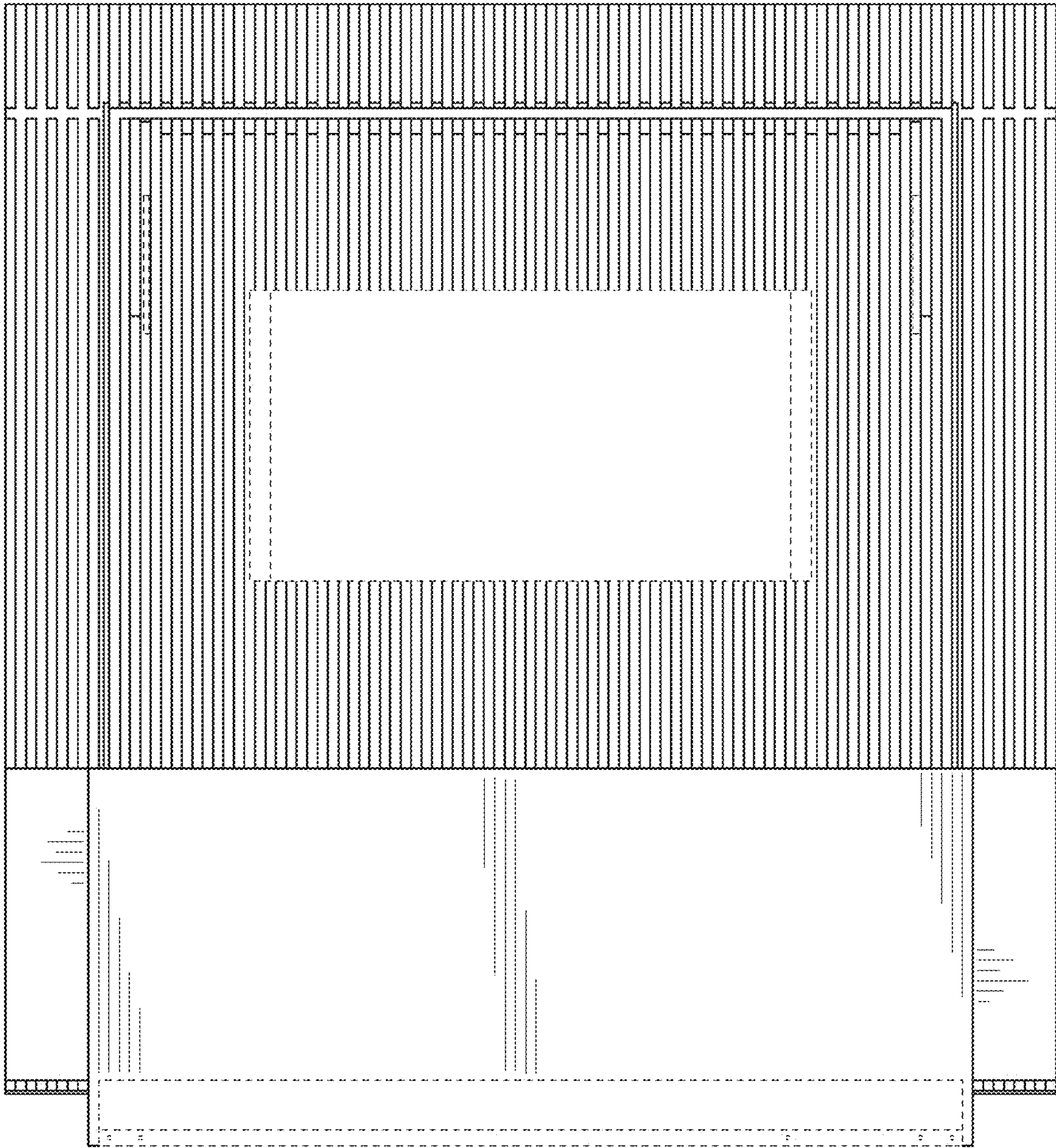


FIG. 7

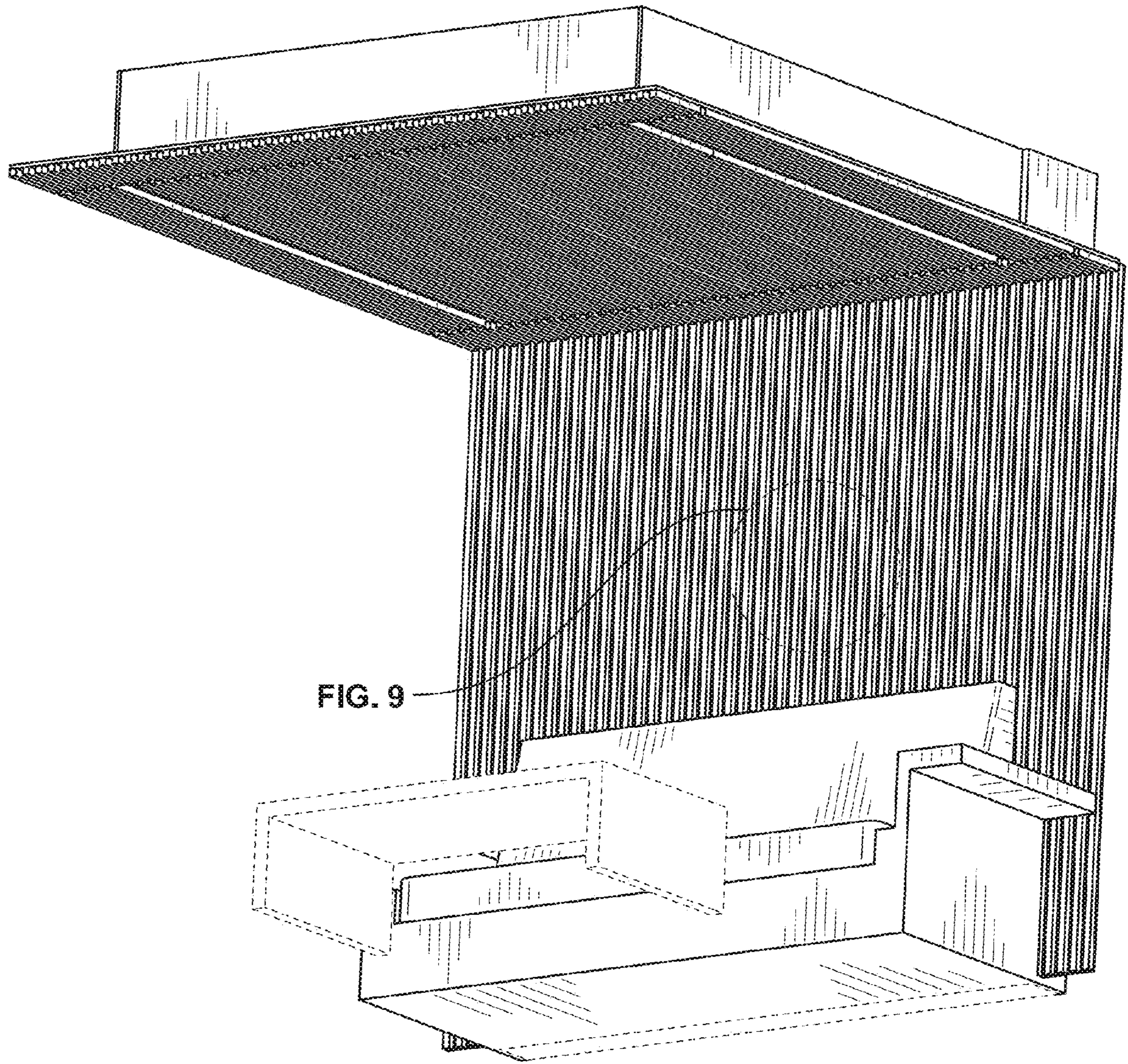


FIG. 8

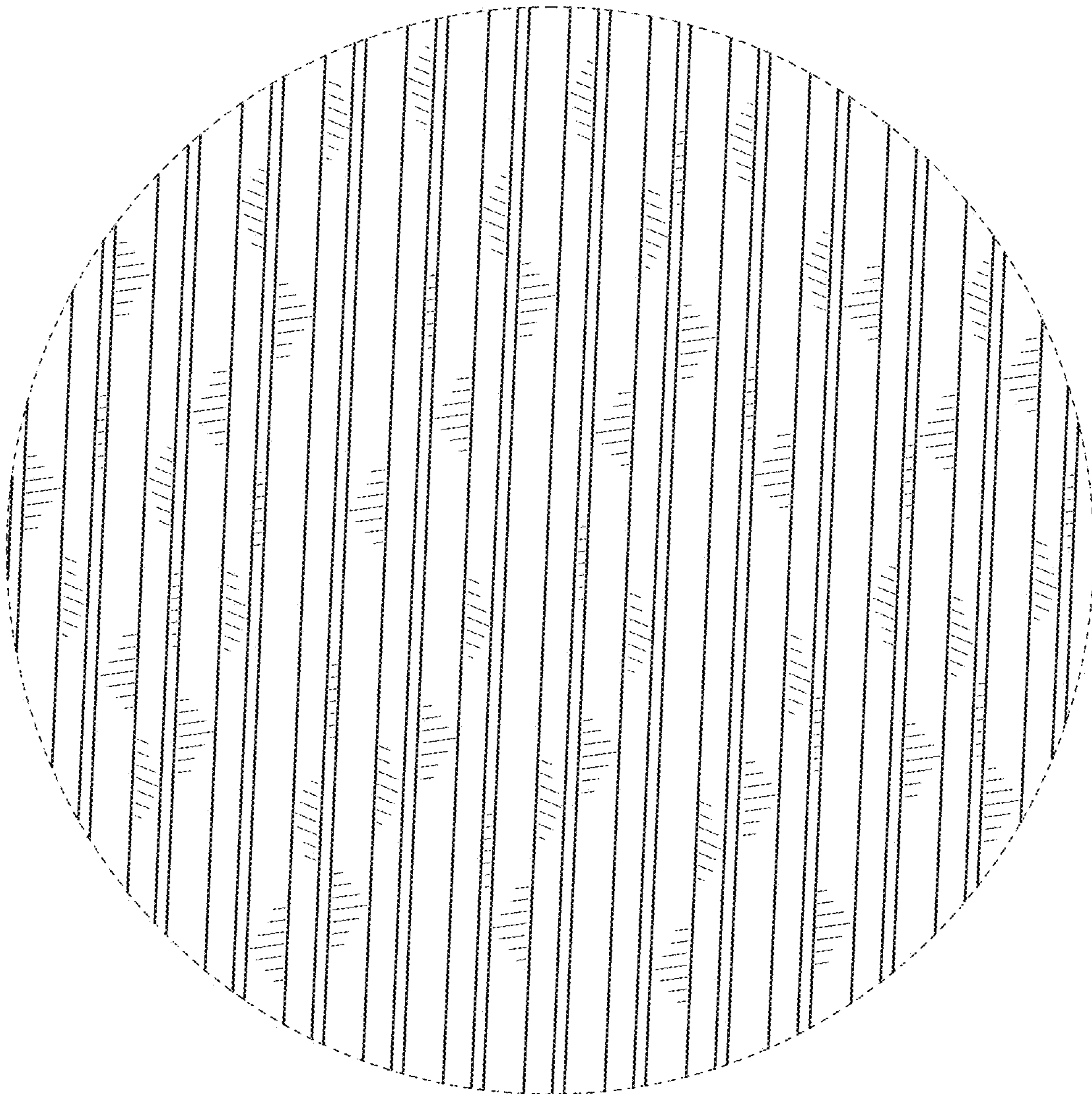


FIG. 9