



US00D880172S

(12) **United States Design Patent**
Wright et al.

(10) **Patent No.:** **US D880,172 S**
(45) **Date of Patent:** **** Apr. 7, 2020**

- (54) **PORTABLE PLAYPEN**
- (71) Applicant: **The California Beach Co., LLC**,
Burbank, CA (US)
- (72) Inventors: **Austin L. Wright**, Burbank, CA (US);
David Shoham, Los Angeles, CA (US)
- (73) Assignee: **THE CALIFORNIA BEACH CO., LLC**,
Burbank, CA (US)

D382,618 S *	8/1997	Gift	D21/814
5,871,026 A *	2/1999	Lin	E04H 15/28
				135/120.3
D423,624 S *	4/2000	Motosko	D21/814
D587,775 S *	3/2009	Adams	D21/814
8,429,858 B1 *	4/2013	Robinson	E04H 1/005
				52/79.5
9,320,363 B1 *	4/2016	Beaver	A47D 13/06
D778,382 S *	2/2017	Weber	D21/834
10,077,573 B1 *	9/2018	Slaughter	E04H 15/48
D858,676 S *	9/2019	Xu	D21/834

(Continued)

(**) Term: **15 Years**

(21) Appl. No.: **29/659,929**

(22) Filed: **Aug. 14, 2018**

(51) **LOC (12) Cl.** **06-06**

(52) **U.S. Cl.**
USPC **D6/331**

(58) **Field of Classification Search**
USPC D6/331, 389, 718.29; D21/814, 834, 838
CPC E04H 15/44; E04H 15/006; E04H 15/54;
E04H 1/1205; A47D 13/06; A47D
13/063; A47D 13/066; A63H 33/008;
E04B 2001/0092

See application file for complete search history.

(56) **References Cited**

U.S. PATENT DOCUMENTS

2,771,087 A *	11/1956	Simonson	E04H 15/28
				135/126
3,169,543 A *	2/1965	McGerty	E04H 15/48
				135/152
3,693,641 A *	9/1972	Moss	E04H 15/28
				135/127
D229,799 S *	1/1974	Suzuki	D6/331
3,794,054 A *	2/1974	Watts	E04H 15/28
				135/98
4,074,682 A *	2/1978	Yoon	E04H 15/48
				135/135
4,739,527 A *	4/1988	Kohus	A47D 13/066
				5/99.1

OTHER PUBLICATIONS

“Kickstarter—Pop ‘N Go—The World’s Best Kids Playpen.” Found online Jan. 18, 2020 at www.kickstarter.com. Project launched Mar. 6, 2018. Retrieved from URL: <https://www.kickstarter.com/projects/1985753335/pop-n-go-the-worlds-best-kids-playpen/posts> (Year: 2018).*

(Continued)

Primary Examiner — Mary Ann Calabrese
Assistant Examiner — Katelin G Kloberg
(74) *Attorney, Agent, or Firm* — Mollborn Patents, Inc.;
Fredrik Mollborn

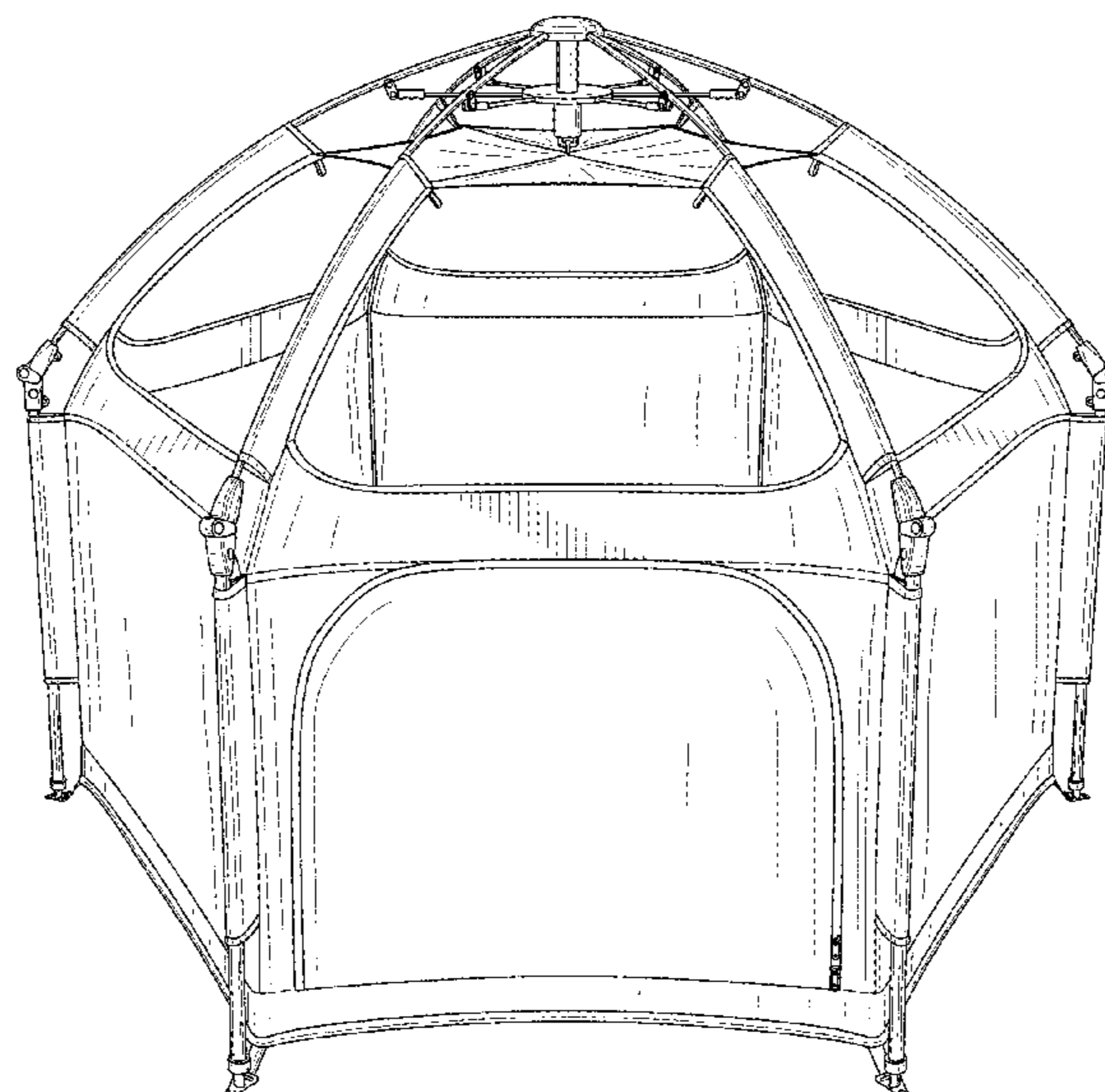
(57) **CLAIM**

The ornamental design for a portable playpen, as shown and described.

DESCRIPTION

FIG. 1 is a top, front perspective view of a portable playpen, showing our new design;
FIG. 2 is a front elevation view thereof;
FIG. 3 is a rear elevation view thereof;
FIG. 4 is a left side elevation view thereof;
FIG. 5 is a right side elevation view thereof;
FIG. 6 is a top plan view thereof; and,
FIG. 7 is a bottom plan view thereof.

1 Claim, 7 Drawing Sheets



(56)

References Cited

U.S. PATENT DOCUMENTS

D862,913 S * 10/2019 Jin D6/331
D864,333 S * 10/2019 Wu D21/834
D870,978 S * 12/2019 Pomerantz D30/112
2006/0236952 A1 * 10/2006 King A01K 1/03
119/499
2007/0215192 A1 * 9/2007 Hoffman E04H 15/38
135/135
2007/0227571 A1 * 10/2007 Youn E04H 15/44
135/135
2008/0314427 A1 * 12/2008 Lai A63H 33/008
135/96

OTHER PUBLICATIONS

“The California Beach Co.—Introducing Pop 'N Go.” Found online Jan. 18, 2020 at thecaliforniabeachco.com. Page archived Jan. 18, 2018. Retrieved from URL: <https://web.archive.org/web/20180118065018/https://thecaliforniabeachco.com/> (Year: 2018).*

“Baby Playpen Automatic Kids Play Tent.” Found online Jan. 18, 2020 at www.amazon.com. Product reviewed Dec. 14, 2019. Retrieved from URL: https://www.amazon.com/dp/B07FFPRR4V/ref=psdc_166434011_t3_B07DMNN1GR (Year: 2019).*

“Spacious Padded Playpen.” Found online Jan. 18, 2020 at alvantor.com. Product reviewed Jul. 30, 2019. Retrieved from URL: <https://www.alvantor.com/collections/play-tents/products/spacious-padded-playpen?variant=20125307502665> (Year: 2019).*

* cited by examiner

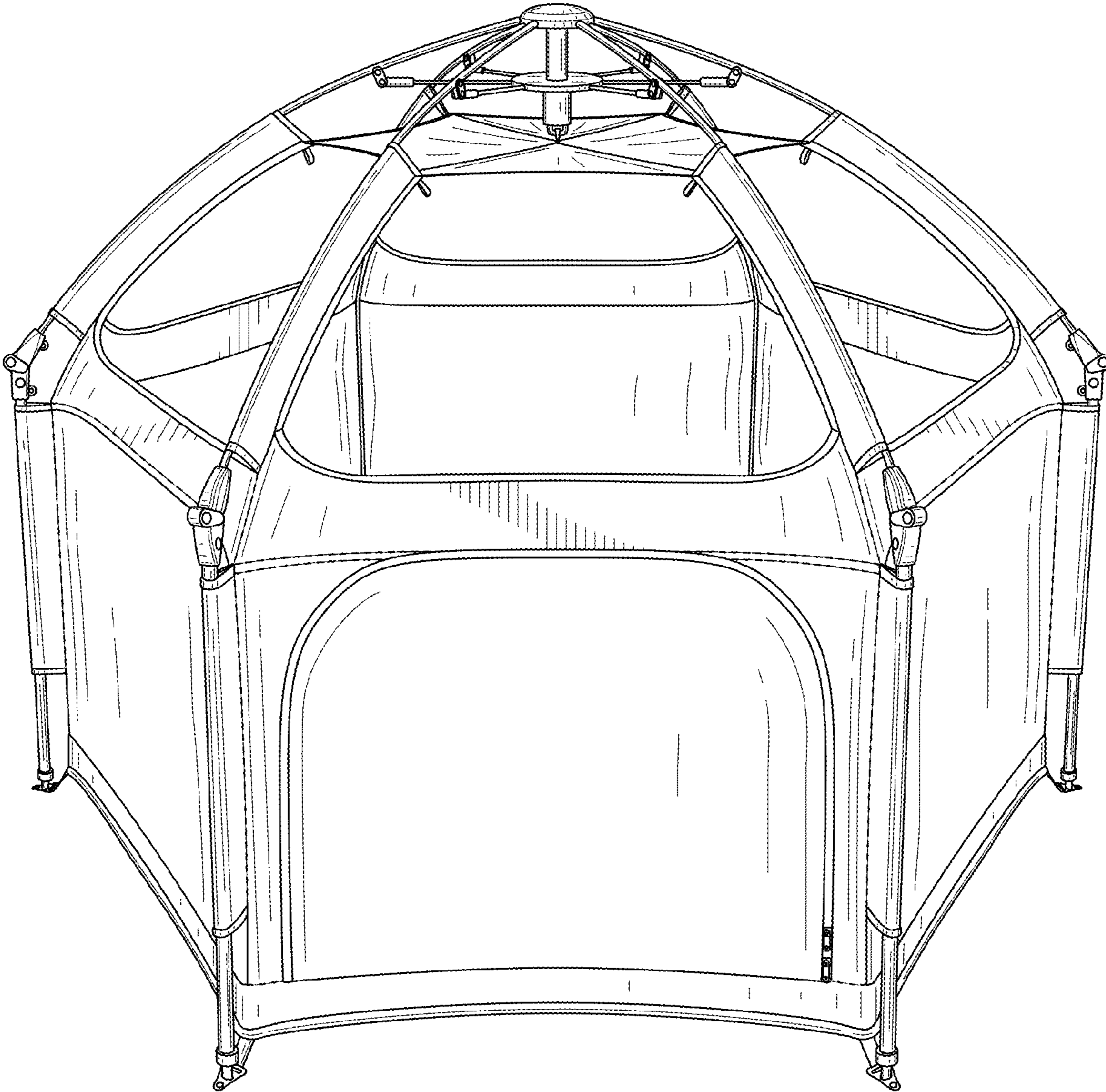


FIG. 1

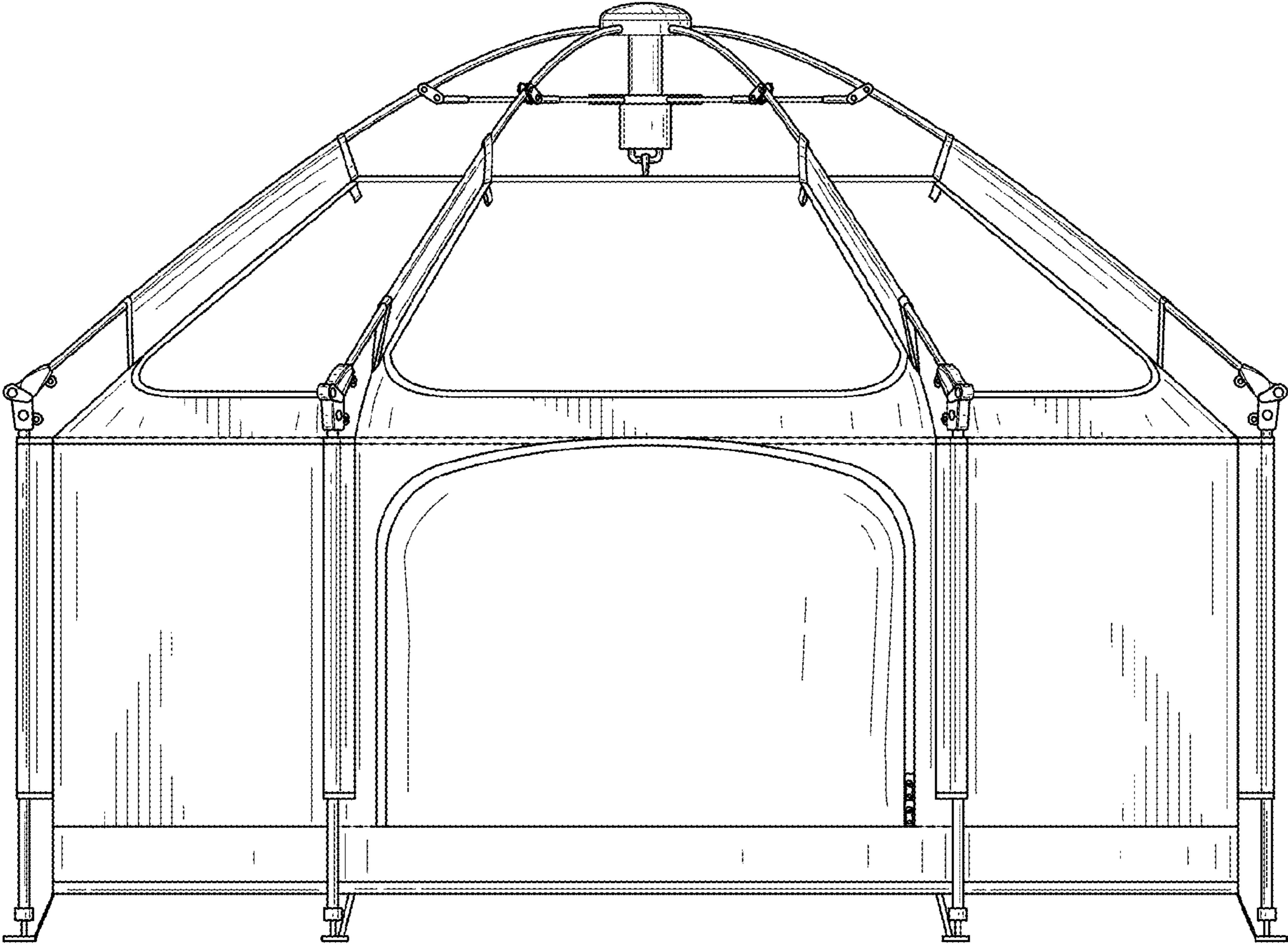


FIG. 2

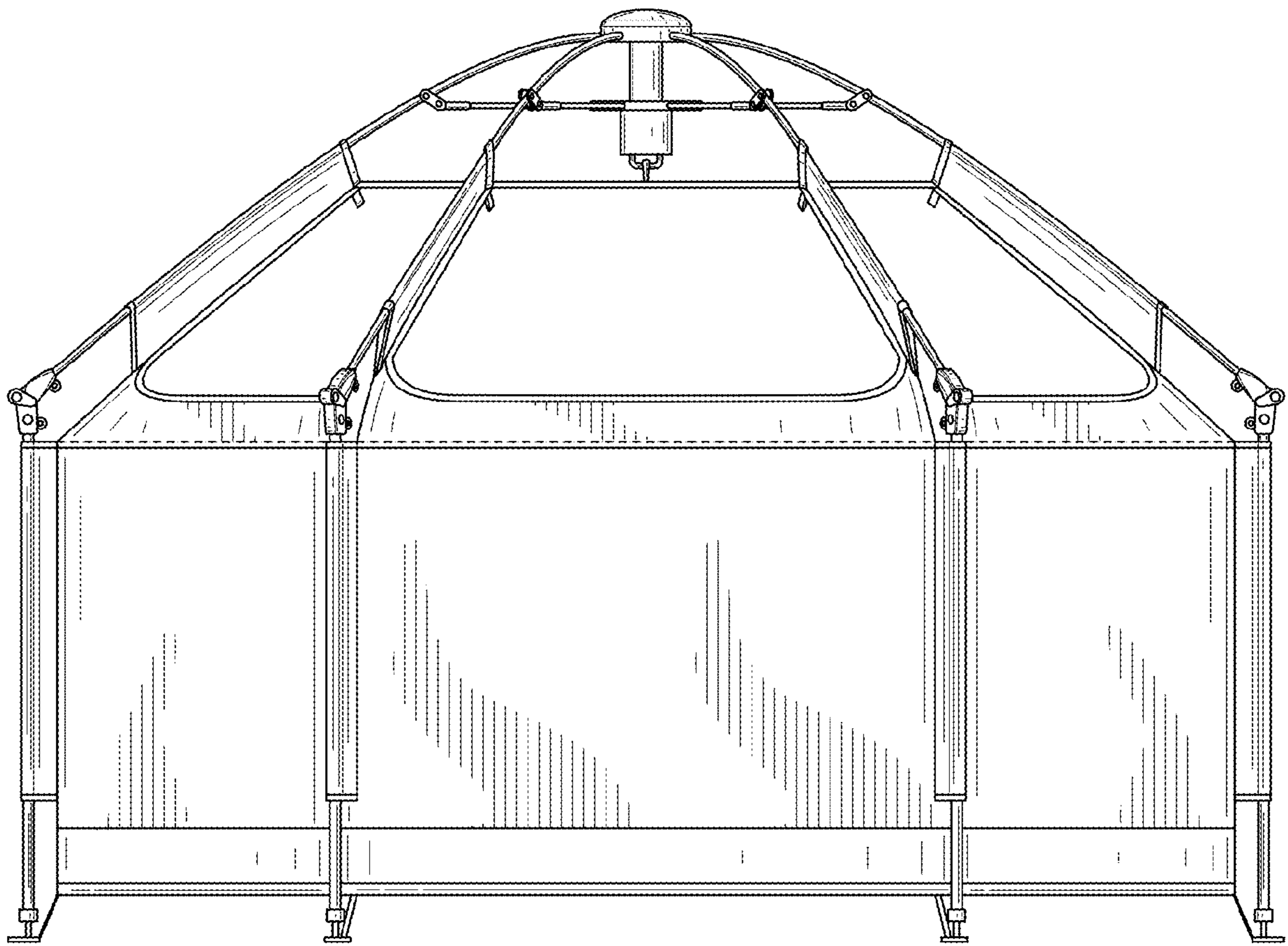


FIG. 3

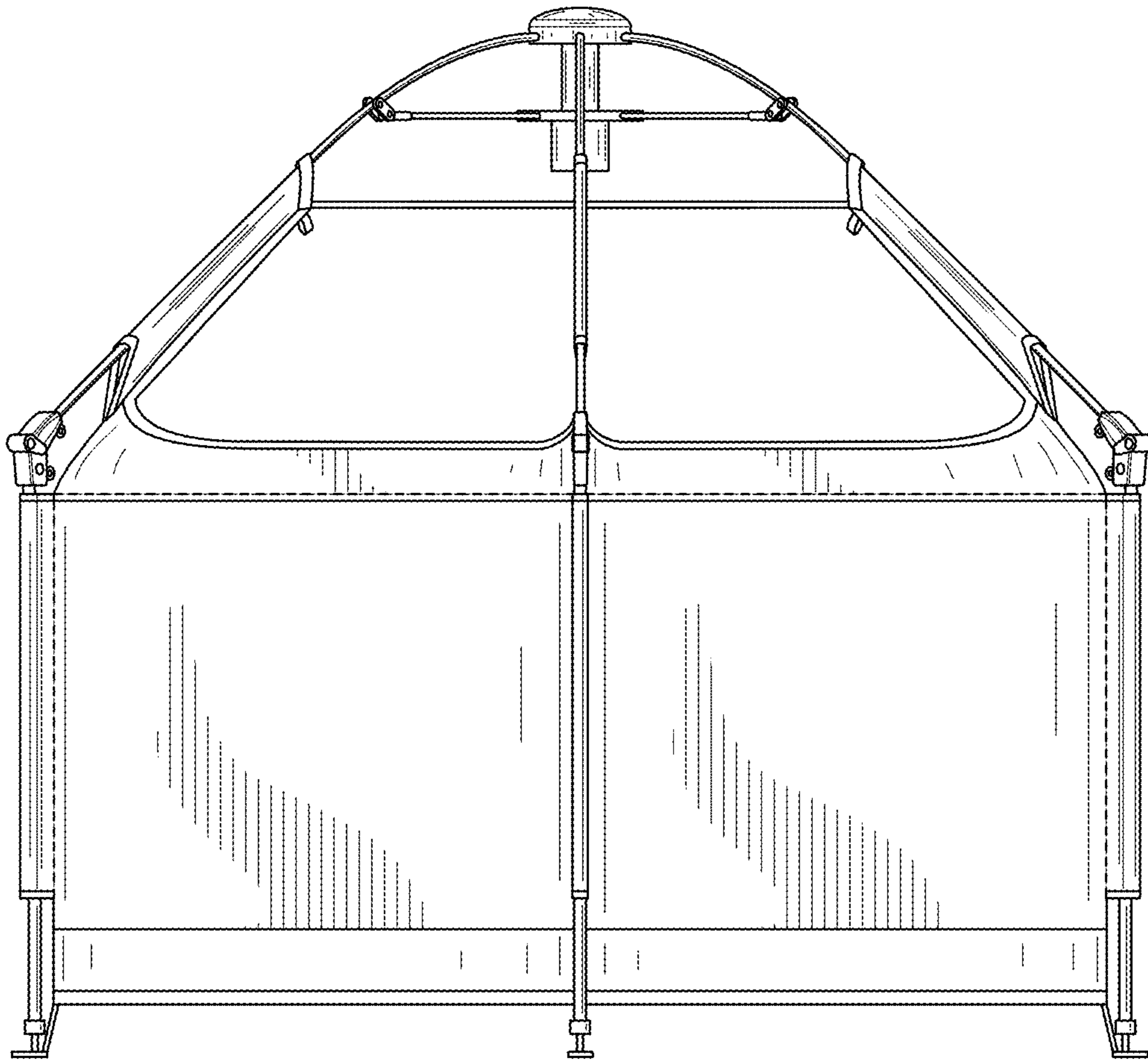


FIG. 4

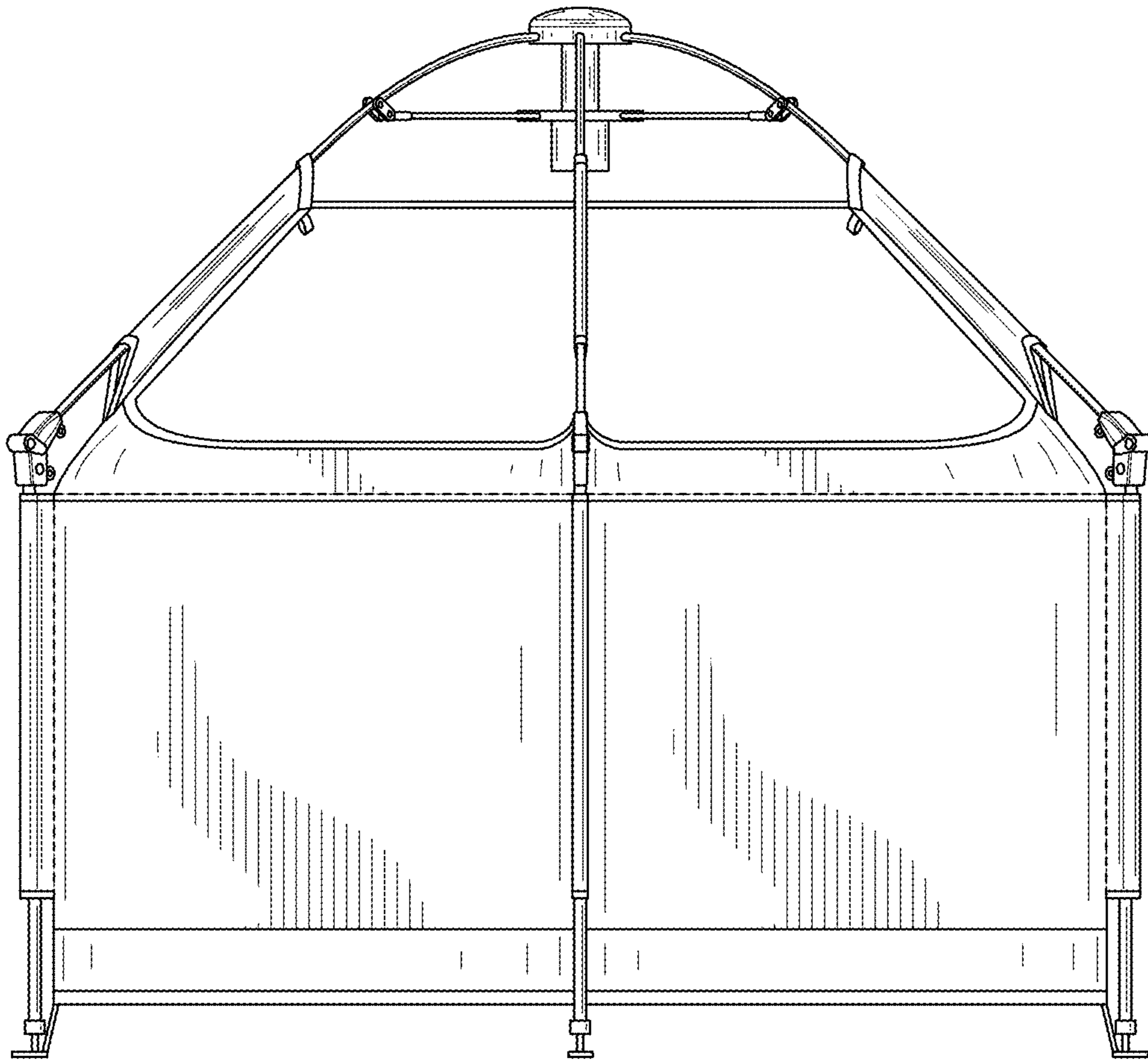


FIG. 5

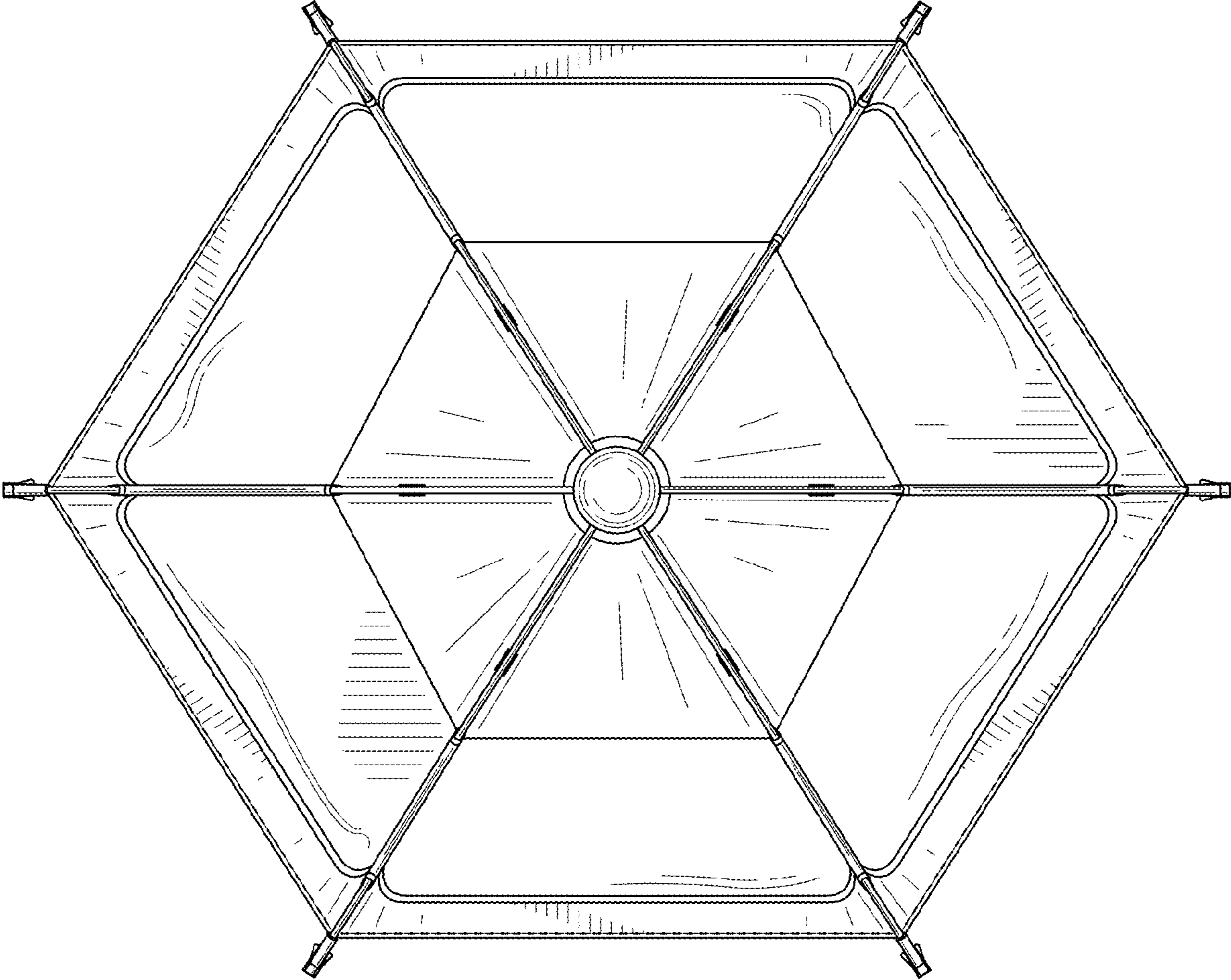


FIG. 6

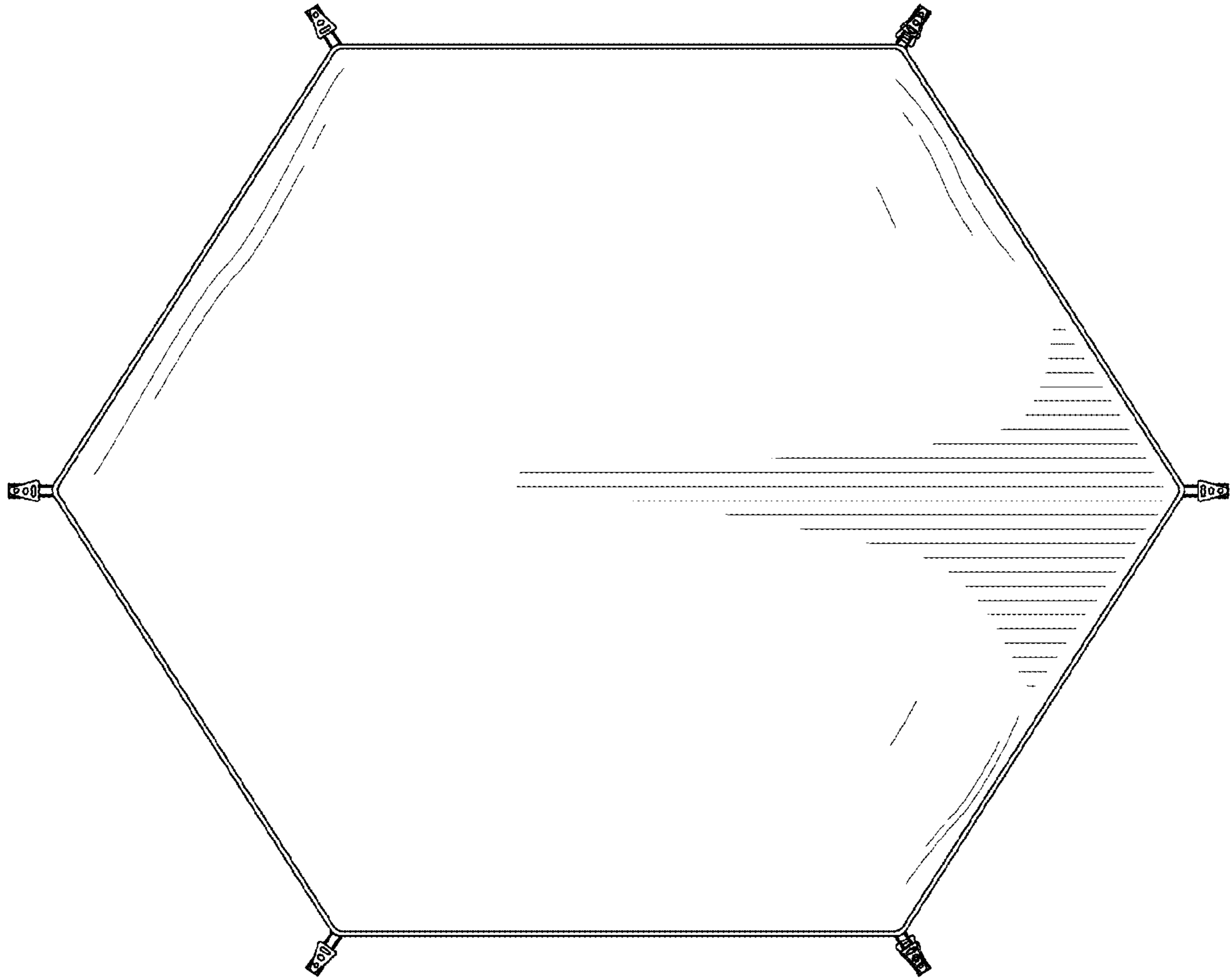


FIG. 7