



US00D880166S

(12) **United States Design Patent**
Oh et al.

(10) **Patent No.:** **US D880,166 S**
(45) **Date of Patent:** **** Apr. 7, 2020**

(54) **TOOTHBRUSH WITH BRISTLES HAVING DIFFERENT LENGTHS**

(71) Applicants: **Se In Oh**, Jeollabuk-do (KR); **Myung Hee Park**, Seoul Special (KR); **Kwan Lak Choi**, Gyeonggi-do (KR)

(72) Inventors: **Se In Oh**, Jeollabuk-do (KR); **Myung Hee Park**, Seoul Special (KR); **Kwan Lak Choi**, Gyeonggi-do (KR)

(**) Term: **15 Years**

(21) Appl. No.: **29/657,103**

(22) Filed: **Jul. 19, 2018**

(30) **Foreign Application Priority Data**

Jan. 31, 2018 (KR) 30-2018-0005494

(51) **LOC (12) Cl.** **04-02**

(52) **U.S. Cl.**
USPC **D4/104**

(58) **Field of Classification Search**
USPC D4/101, 104, 105, 106, 107, 108, 109, D4/110, 111, 112, 113, 138, 199; 15/110
CPC A46B 3/00; A46B 9/02; A46B 9/04; A46B 2200/1066; A46B 2200/1073; A46B 2200/1086

See application file for complete search history.

(56) **References Cited**

U.S. PATENT DOCUMENTS

- D239,221 S * 3/1976 Wasserman D4/104
- D240,677 S * 7/1976 Thompson D4/104
- D240,981 S * 8/1976 Hill D4/104
- 5,896,614 A * 4/1999 Flewitt A46B 9/005
15/167.1
- D506,872 S * 7/2005 Winkler D4/104

- D589,256 S * 3/2009 Taylor D4/101
- D609,914 S * 2/2010 Erskine-Smith D4/104
- D609,915 S * 2/2010 Erskine-Smith D4/104
- D642,801 S * 8/2011 Fritsch D4/101
- D693,581 S * 11/2013 Ballmaier D4/104
- 8,677,541 B2 * 3/2014 Meadows A61C 17/0211
15/22.1
- D743,700 S * 11/2015 Fritsch D4/101
- D790,862 S * 7/2017 Matelo D4/104

FOREIGN PATENT DOCUMENTS

- KR 300971263.0000 * 9/2018
- KR 300971268.0000 * 9/2018
- KR 300971269.0000 * 9/2018
- KR 300971270.0000 * 9/2018

* cited by examiner

Primary Examiner — Karen E Eldridge Powers

(57) **CLAIM**

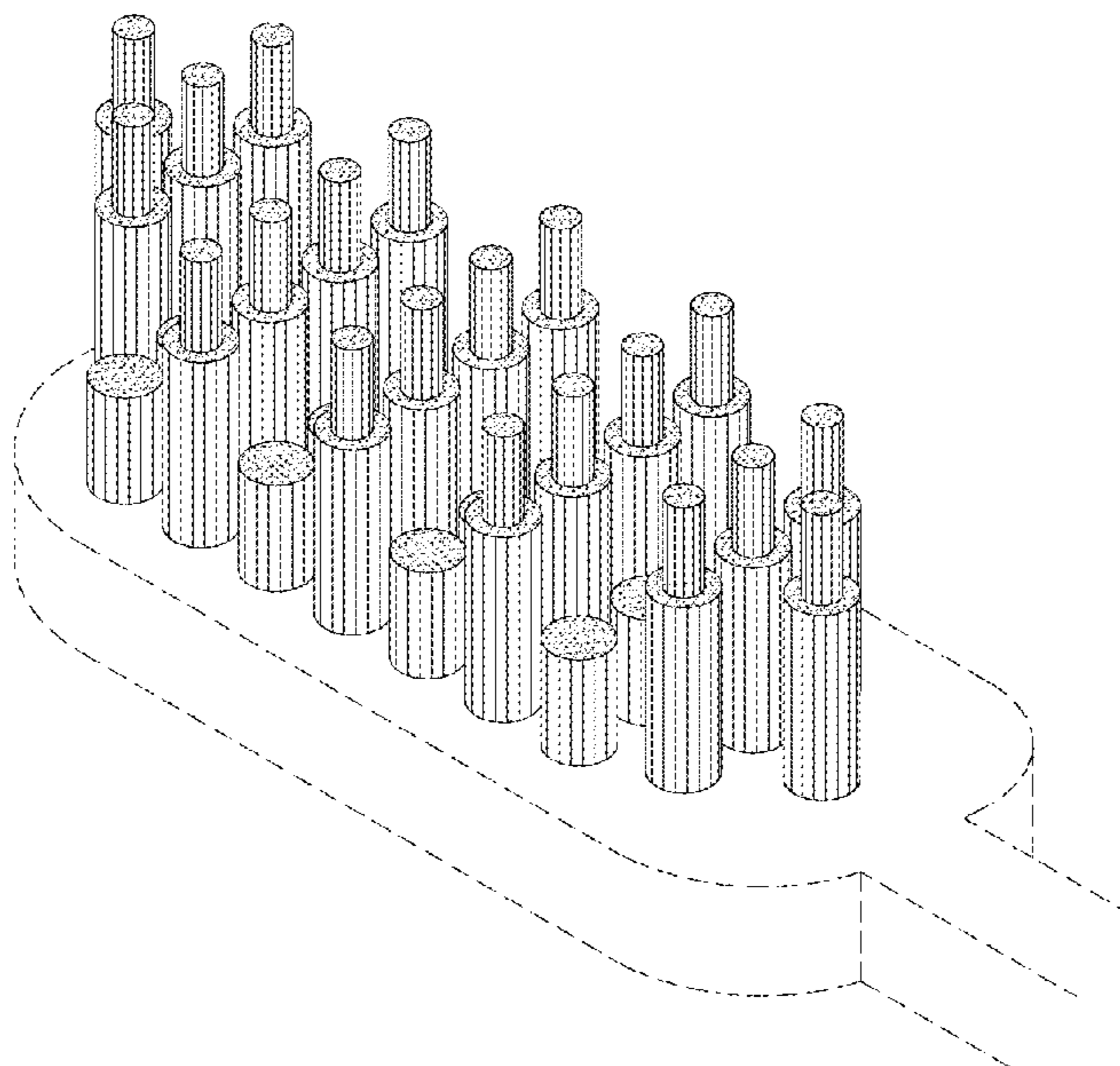
The ornamental design for a toothbrush with bristles having different lengths, as shown and described.

DESCRIPTION

FIG. 1 is a perspective view of a toothbrush with bristles having different lengths showing our new design; FIG. 2 is an enlarged detail view of the brush head thereof; FIG. 3 is a front elevation view thereof; FIG. 4 is a rear elevation view thereof; FIG. 5 is a left side elevation view thereof; FIG. 6 is a right side elevation view thereof; and, FIG. 7 is a top plan view thereof.

A bottom view thereof is omitted since it does not contain ornamental features. The broken lines, which define the bounds of the claimed design, form no part thereof. The circle drawn in larger-dashed broken lines in FIG. 1 illustrates the bounds of the enlarged view of FIG. 2, and forms no part of the claimed design.

1 Claim, 7 Drawing Sheets



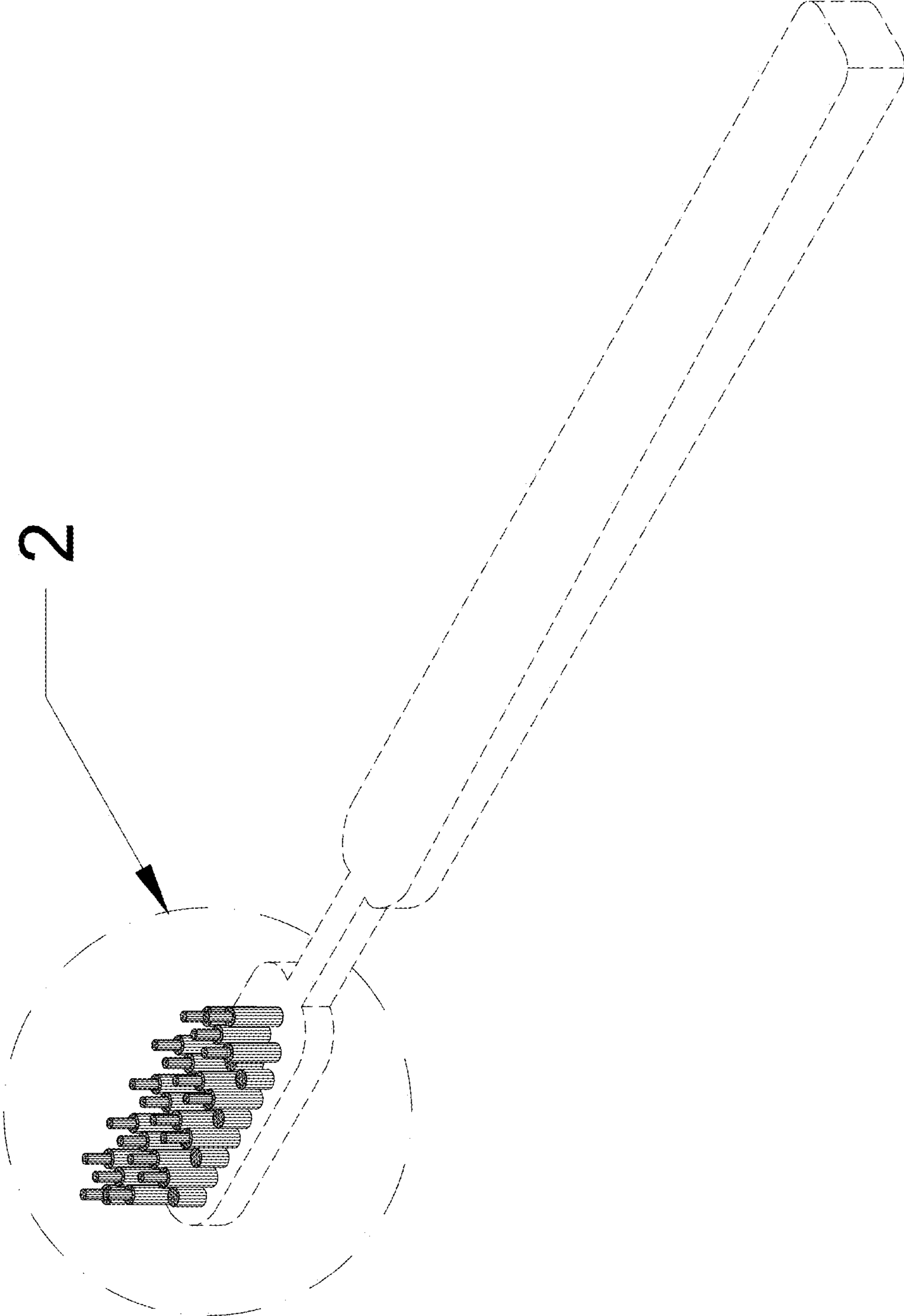


FIG. 1

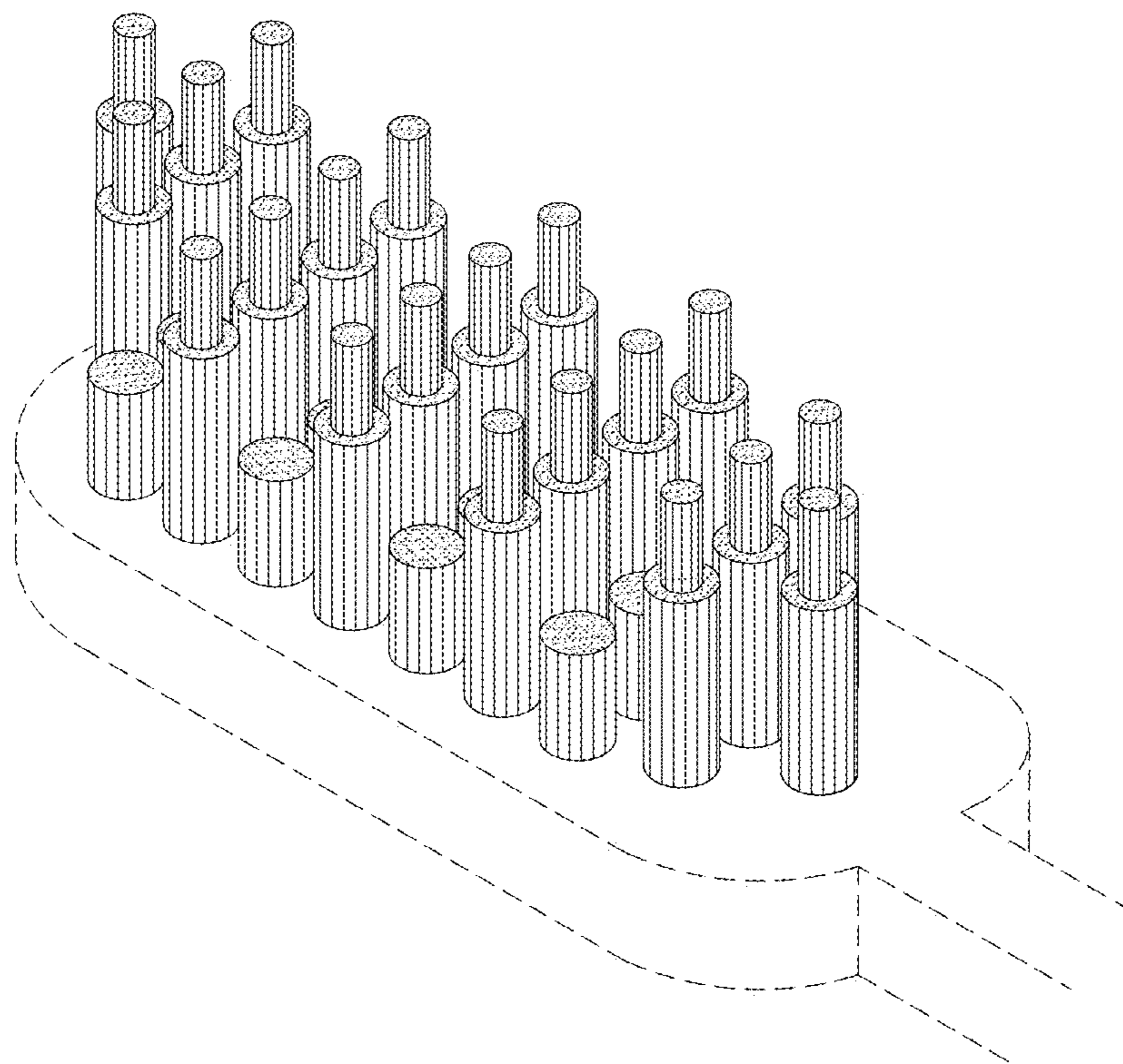


FIG. 2

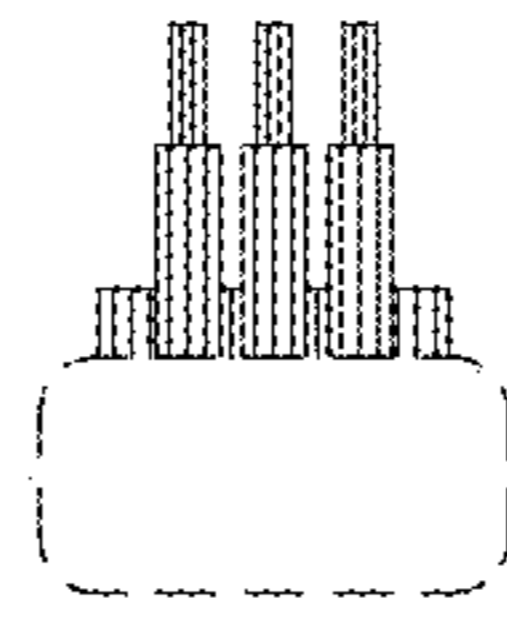


FIG. 3

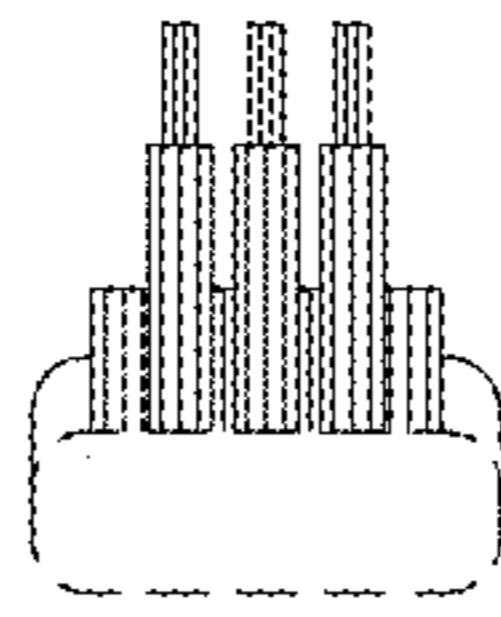


FIG. 4

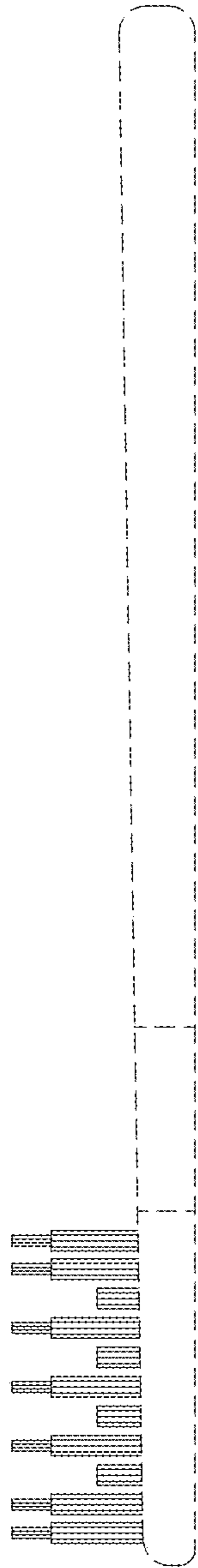


FIG. 5

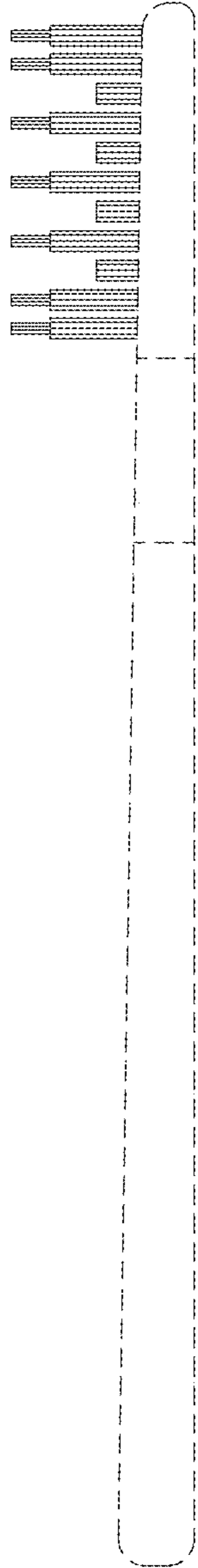


FIG. 6

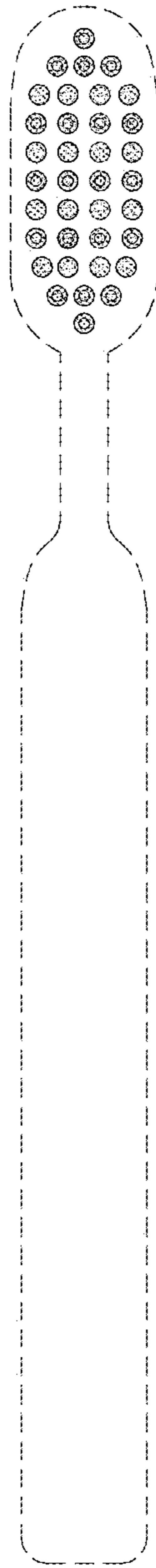


FIG. 7