



US00D880164S

(12) **United States Design Patent**
Zavalloni

(10) **Patent No.:** **US D880,164 S**

(45) **Date of Patent:** **** Apr. 7, 2020**

- (54) **TOOTHBRUSH HEAD**
- (71) Applicant: **Curaden AG**, Kriens (CH)
- (72) Inventor: **Marco Zavalloni**, Wohlen (CH)
- (73) Assignee: **CURADEN AG**, Kriens (CH)
- (**) Term: **15 Years**
- (21) Appl. No.: **29/634,066**
- (22) Filed: **Jan. 18, 2018**

D793,735 S *	8/2017	Zavalloni	D4/101
D793,736 S *	8/2017	Zavalloni	D4/101
D794,334 S *	8/2017	Zavalloni	D4/101
D794,335 S *	8/2017	Zavalloni	D4/101
D795,419 S *	8/2017	Kohler	D24/111
D805,200 S *	12/2017	Zavalloni	D24/152
D842,614 S *	3/2019	Zavalloni	D4/110
D849,408 S *	5/2019	Bloch	D4/101
2012/0077145 A1 *	3/2012	Tsurukawa	A46B 5/0095 433/82
2019/0174906 A1 *	6/2019	Bloch	A61C 17/005

* cited by examiner

Primary Examiner — Michael C Stout
Assistant Examiner — Katrina N Gonzalez
 (74) *Attorney, Agent, or Firm* — Birch, Stewart, Kolasch & Birch, LLP

Related U.S. Application Data

- (62) Division of application No. 29/559,097, filed on Mar. 24, 2016, now Pat. No. Des. 863,771.

Foreign Application Priority Data

- Sep. 25, 2015 (CH) 141845

(51) **LOC (12) Cl.** **04-02**

(52) **U.S. Cl.**
USPC **D4/101**

(58) **Field of Classification Search**
 USPC D4/100–102, 104–113, 116, 117,
 D4/119–121, 127, 128, 130–138, 199
 See application file for complete search history.

References Cited

U.S. PATENT DOCUMENTS

- 8,196,246 B1 * 6/2012 Haynes A61C 17/222
15/167.1
- D765,416 S * 9/2016 Sosa D4/102

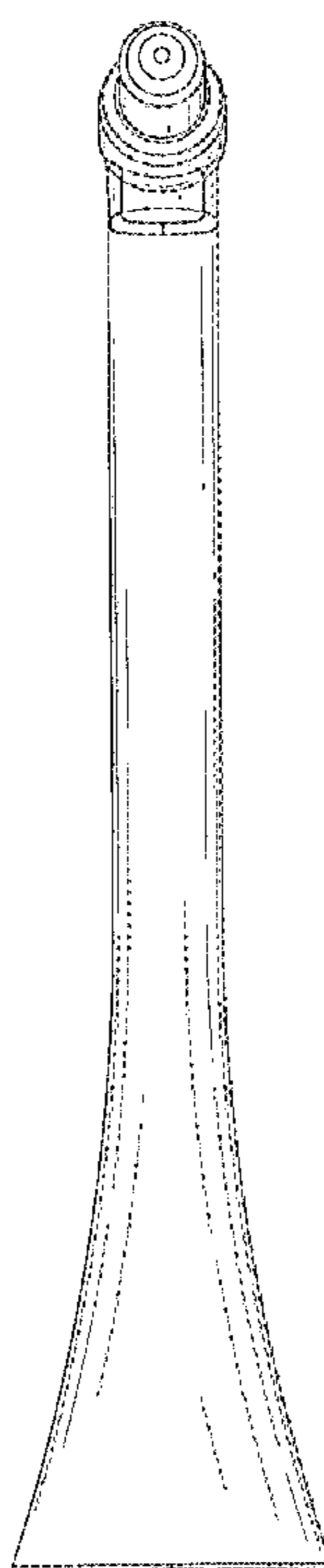
(57) **CLAIM**

The ornamental design for a toothbrush head, as shown and described.

DESCRIPTION

FIG. 1 is a front view of a toothbrush head in accordance with my new design;
 FIG. 2 is a rear view thereof;
 FIG. 3 is a right side view thereof, the left side view being identical;
 FIG. 4 is an enlarge top view thereof; and,
 FIG. 5 is an enlarged bottom view thereof.
 The broken lines illustrate portions of the toothbrush head that form no part of the claimed design.

1 Claim, 5 Drawing Sheets



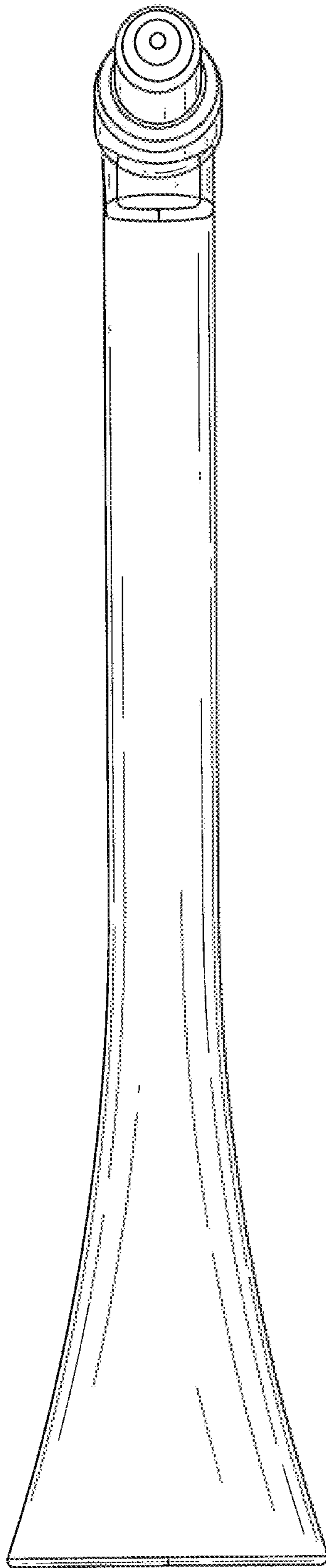


FIG.1

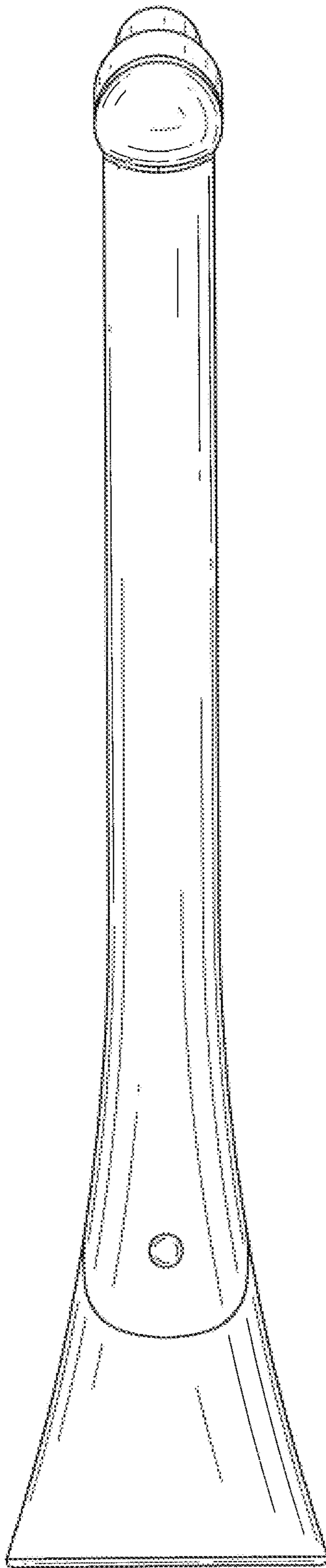


FIG.2

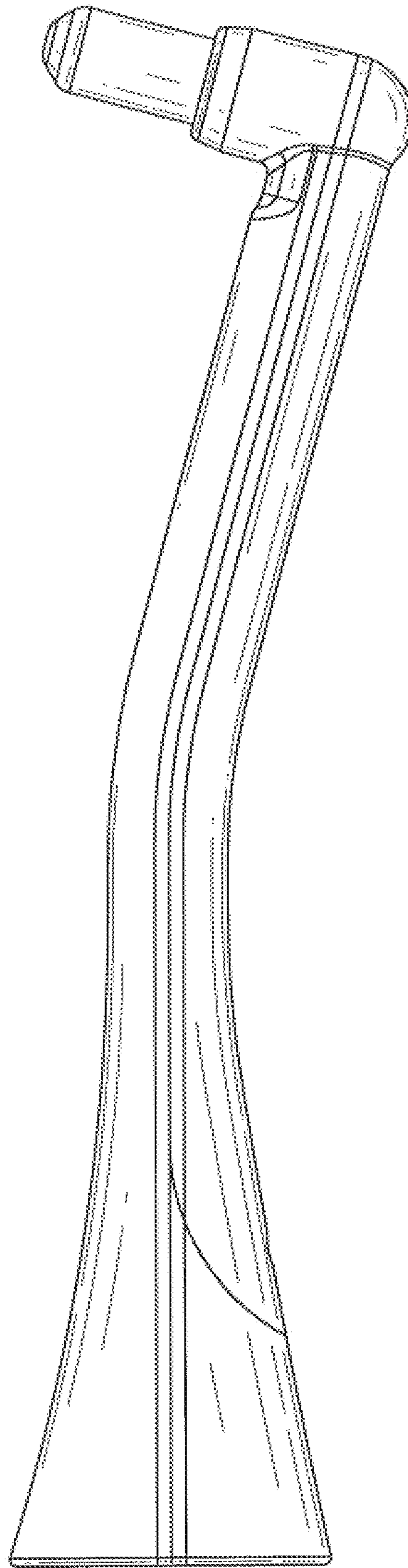


FIG.3

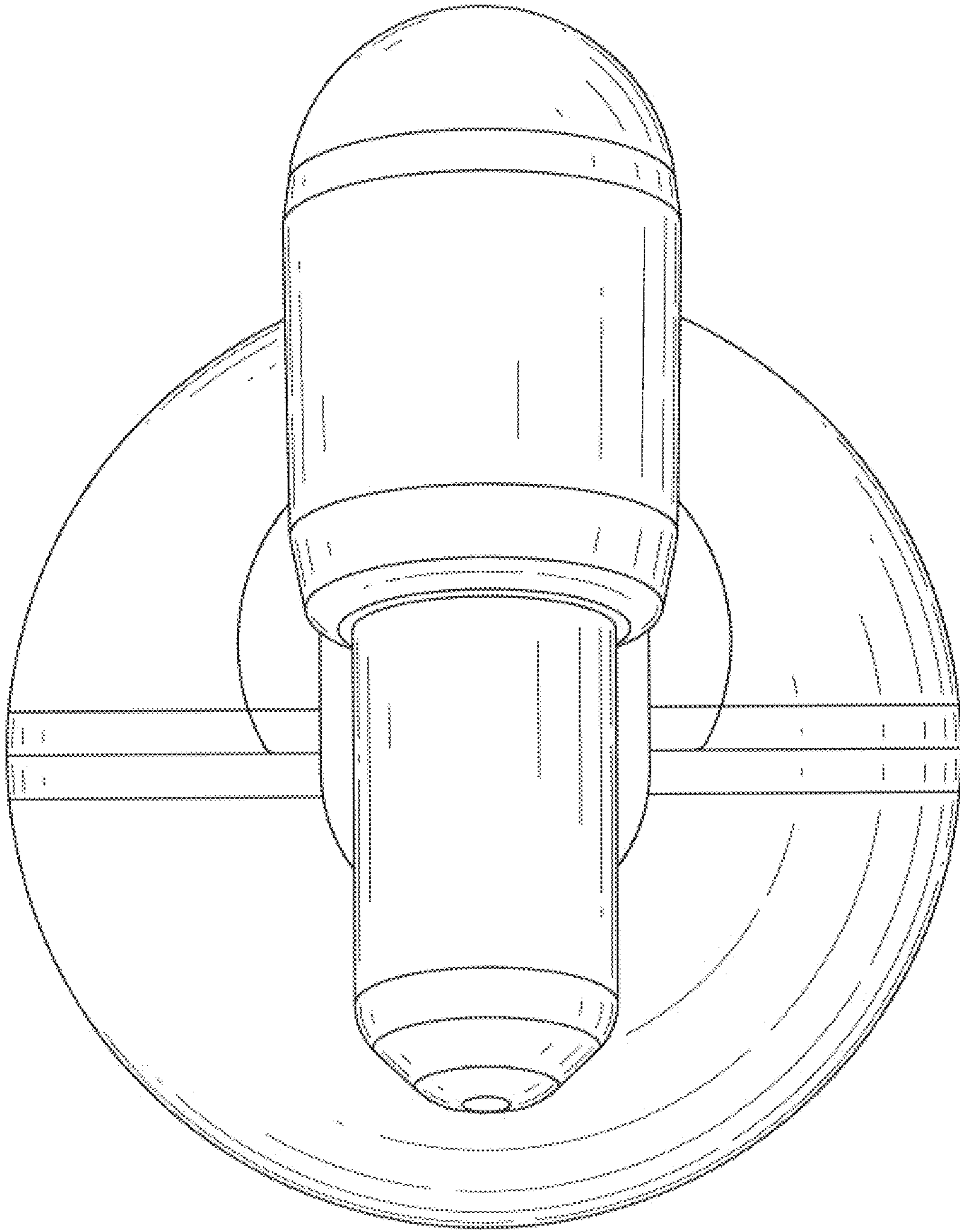


FIG.4

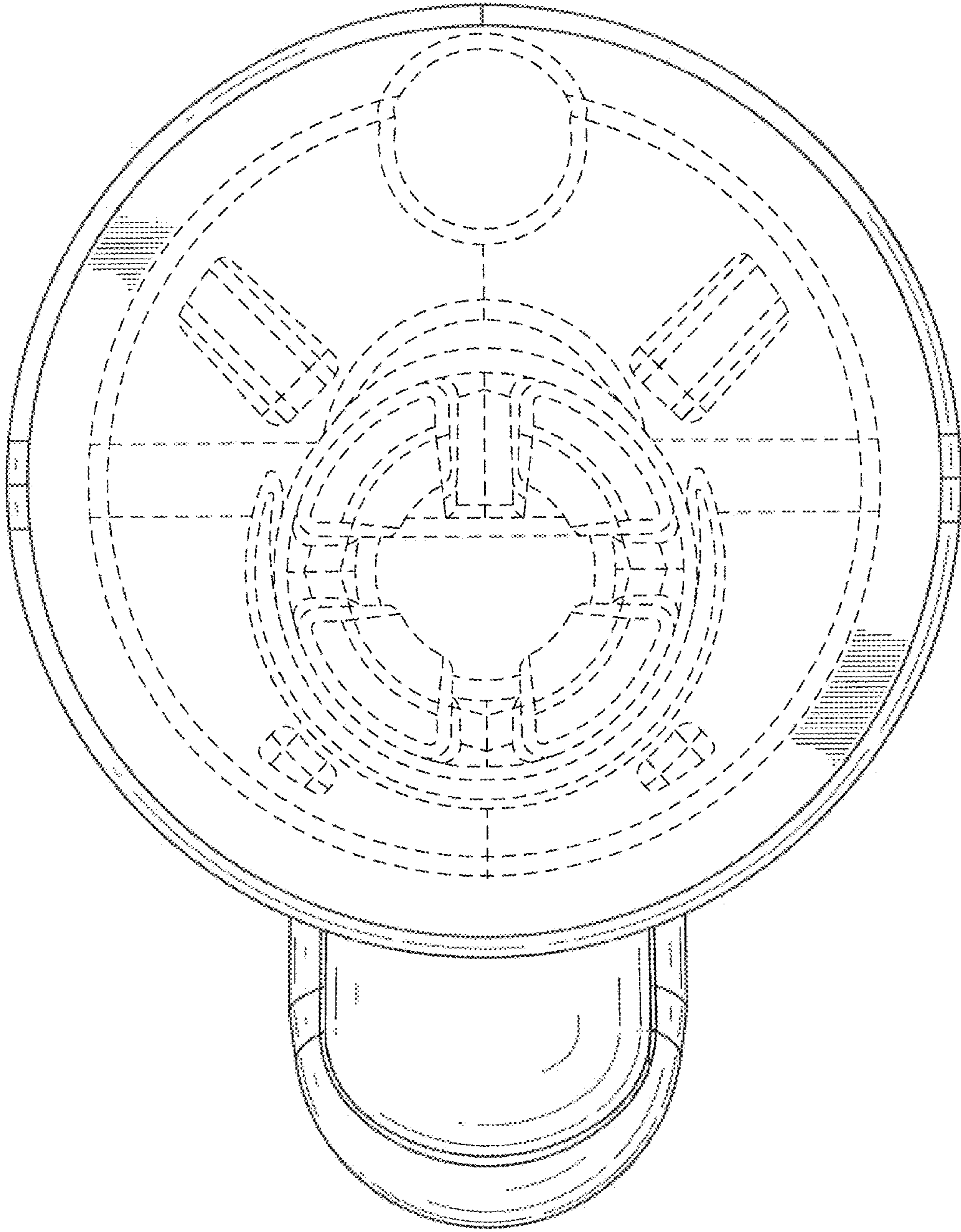


FIG.5