



US00D880163S

(12) **United States Design Patent**
Seip

(10) **Patent No.:** **US D880,163 S**

(45) **Date of Patent:** **** Apr. 7, 2020**

- (54) **BAG**
- (71) Applicant: **Skip Hop, Inc.**, New York, NY (US)
- (72) Inventor: **Sierra Seip**, New York, NY (US)
- (73) Assignee: **SKIP HOP, INC.**, New York, NY (US)
- (**) Term: **15 Years**
- (21) Appl. No.: **29/670,161**
- (22) Filed: **Nov. 14, 2018**
- (51) **LOC (12) Cl.** **03-01**
- (52) **U.S. Cl.**
USPC **D3/318**
- (58) **Field of Classification Search**
USPC D3/232-233, 240-243, 245-246, 318
CPC A45C 1/024; A45C 3/06
See application file for complete search history.

D714,546 S *	10/2014	Joo	D3/245
D820,592 S *	6/2018	Greenfeld	D3/245
D824,170 S *	7/2018	Tobias	D3/283
D824,666 S *	8/2018	Carter	D3/245
D831,348 S *	10/2018	Wells	D3/245

* cited by examiner

Primary Examiner — Holly H Baynham

(74) *Attorney, Agent, or Firm* — Stephen J. Weyer, Esq.;
Stites & Harbison, PLLC

(57) **CLAIM**

The ornamental design for a bag, as shown and described.

DESCRIPTION

FIG. 1 is a perspective view taken from the front, left side, and top side of a first exemplary embodiment of the bag of the present design.

FIG. 2 is a front elevation view of the bag of FIG. 1.

FIG. 3 is a rear elevation view of the bag of FIG. 1.

FIG. 4 is a right side elevation view of the bag of FIG. 1.

FIG. 5 is a left side elevation view of the bag of FIG. 1.

FIG. 6 is a top plan view of the bag of FIG. 1.

FIG. 7 is a bottom plan view of the bag of FIG. 1; and,

FIG. 8 is a front, left side and top perspective view with the front flap in an opened position.

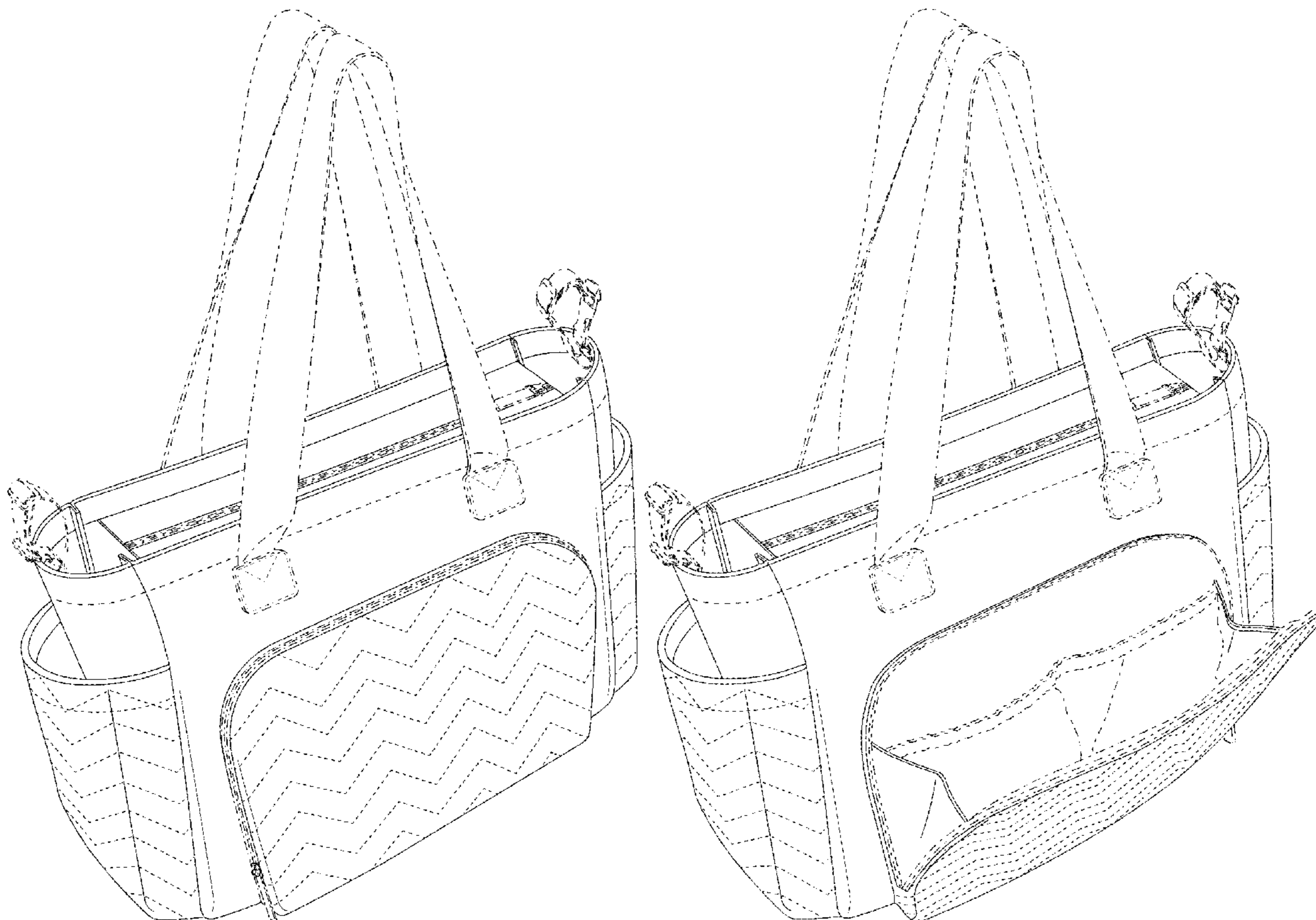
The dash-dash broken lines shown represent stitching and form part of the claimed design. Elements drawn in dash-dot-dash lines are included for illustrating portions of the bag, and form no part of the claimed design.

(56) **References Cited**

U.S. PATENT DOCUMENTS

D245,645 S *	8/1977	Casser	D3/243
D260,326 S *	8/1981	Siegel	D3/243
D356,678 S *	3/1995	Tawil	D3/276
D368,370 S *	4/1996	Tawil	D3/276
D596,398 S *	7/2009	Chu	D3/283

1 Claim, 8 Drawing Sheets



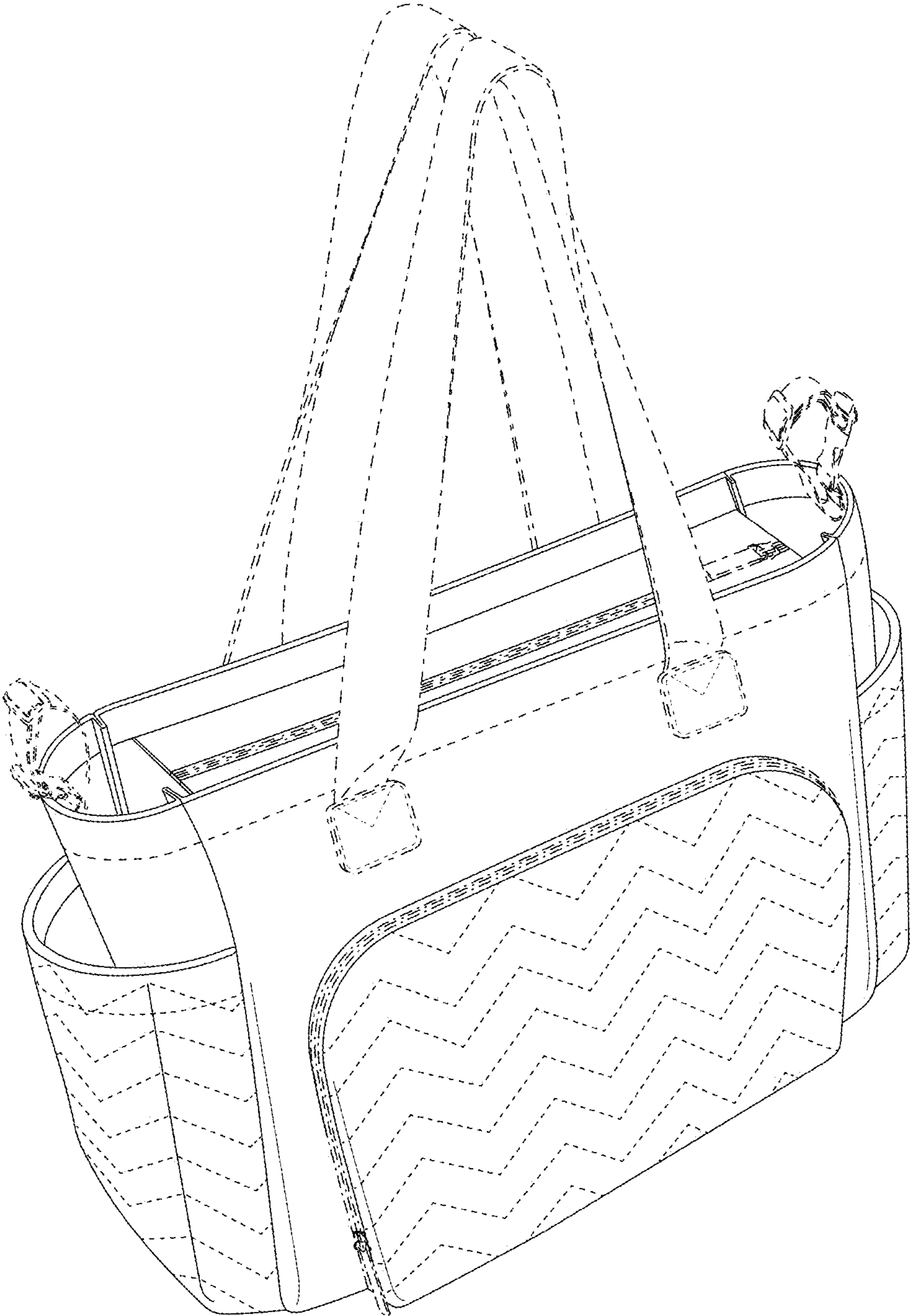


FIG. 1

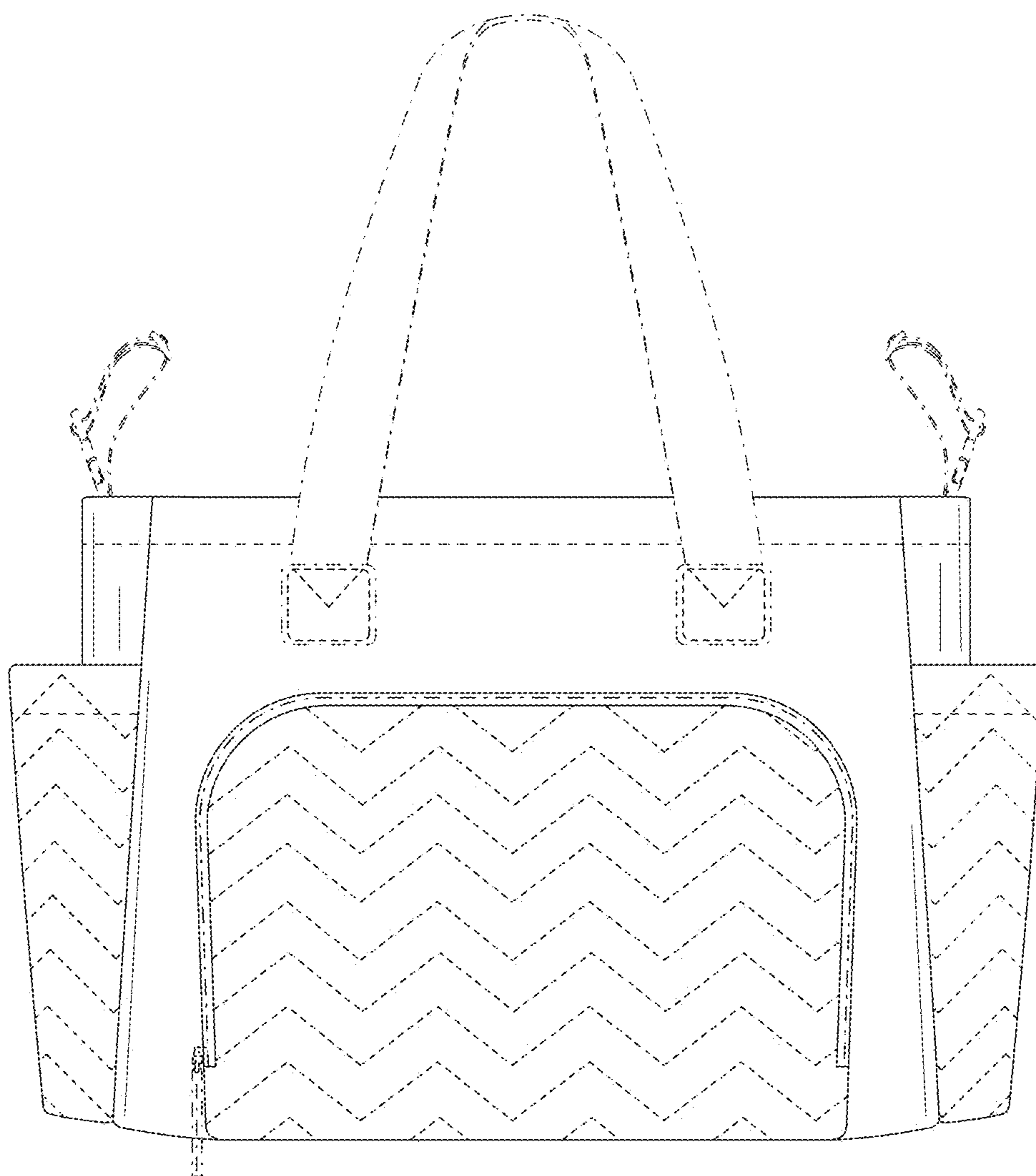


FIG. 2

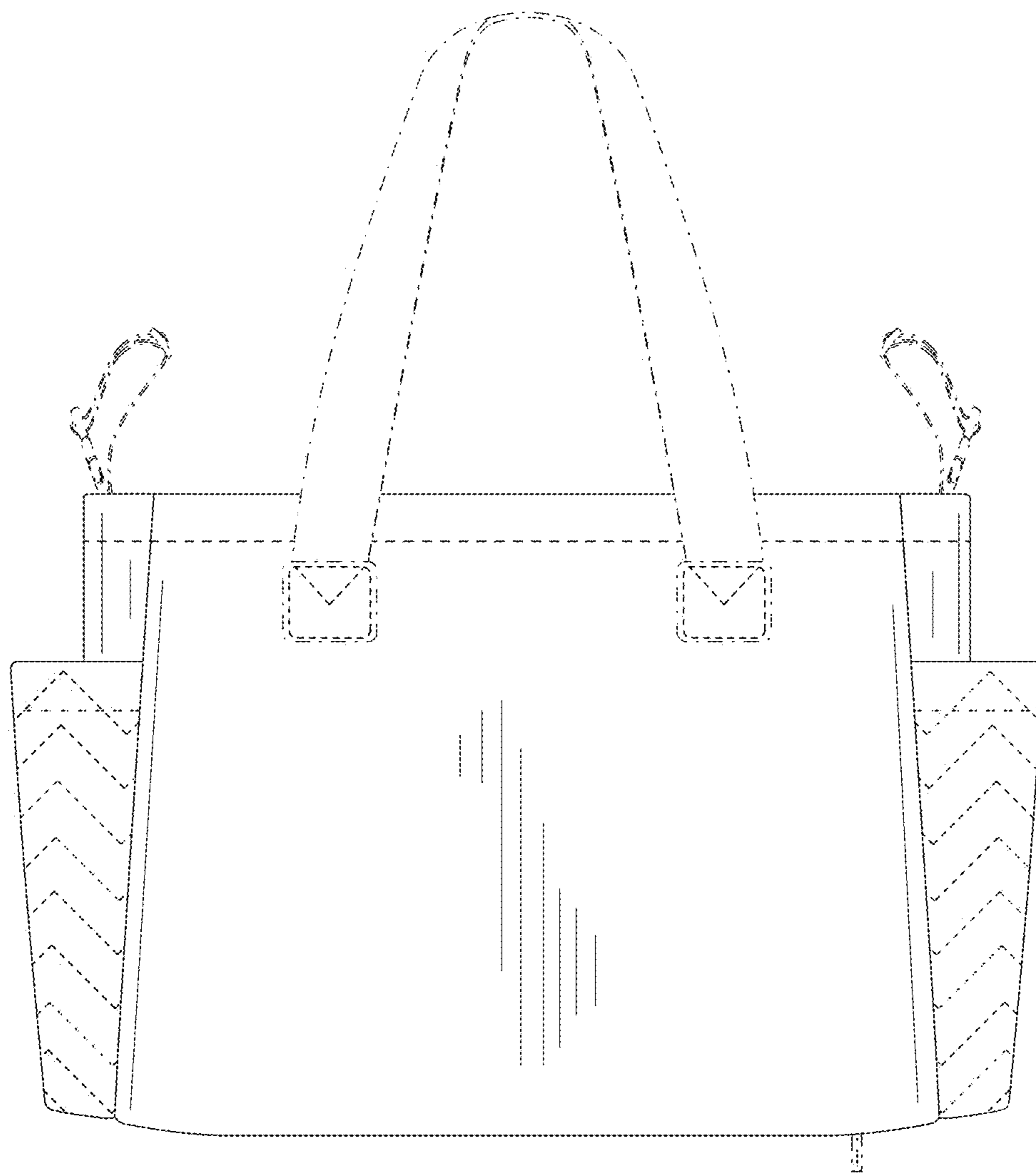


FIG. 3

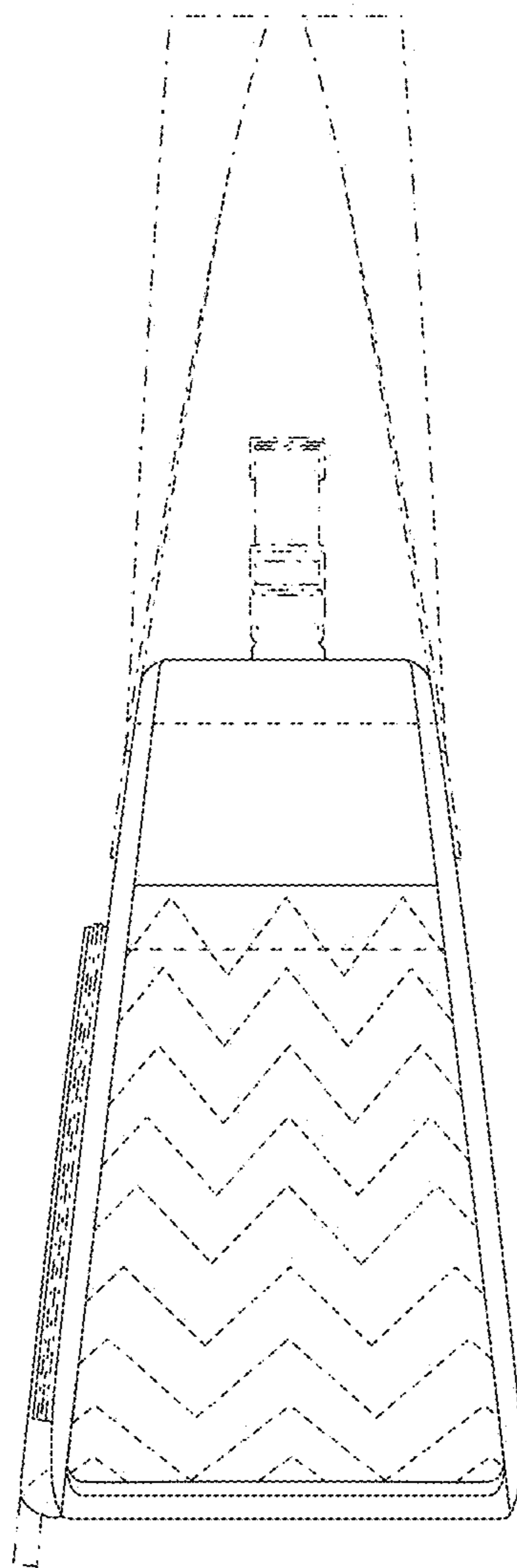


FIG. 4

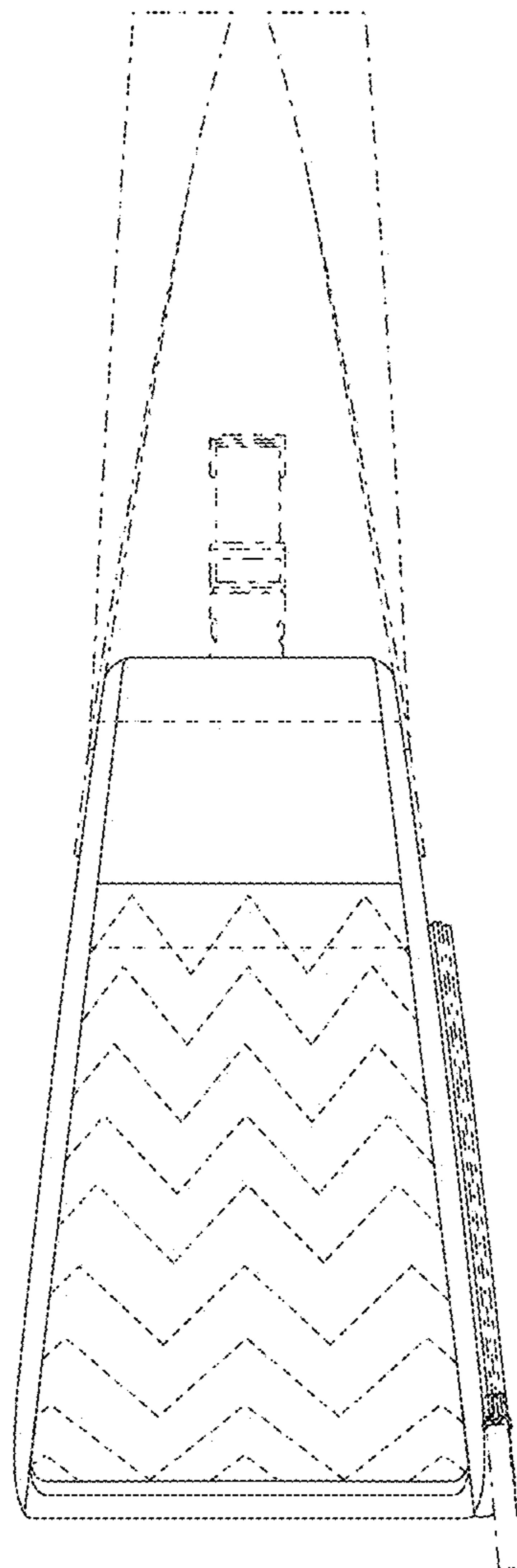


FIG. 5

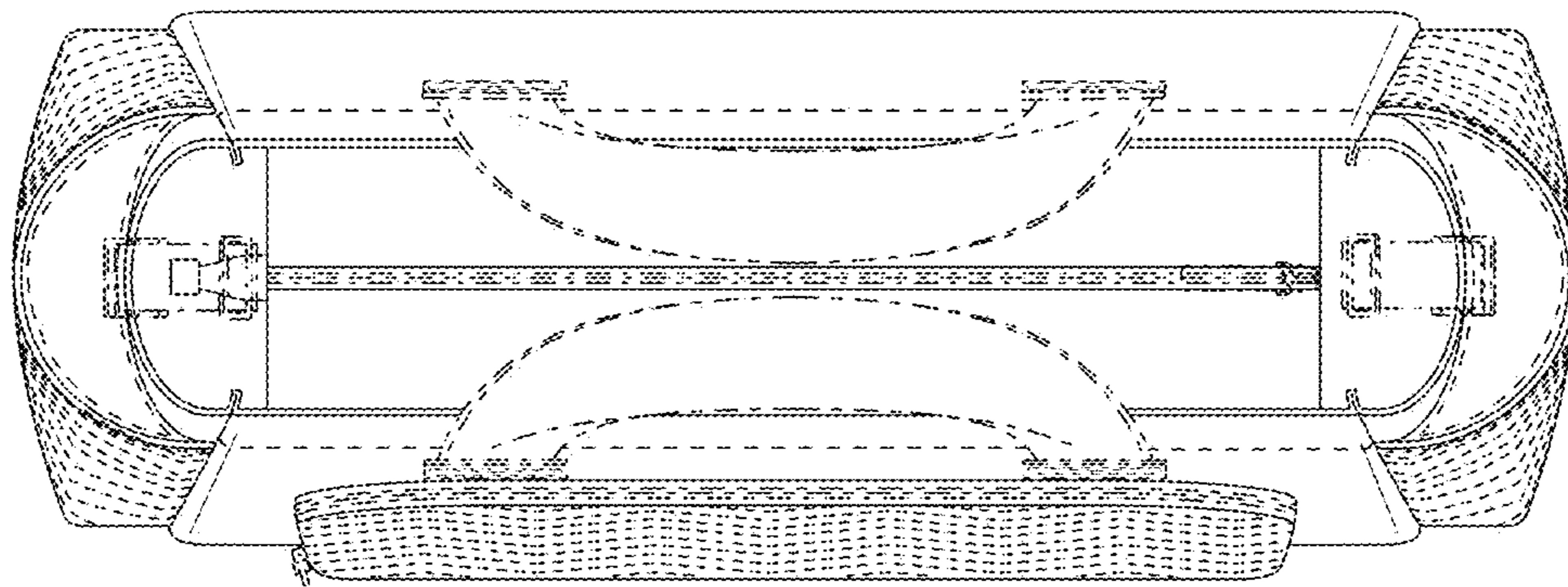


FIG. 6

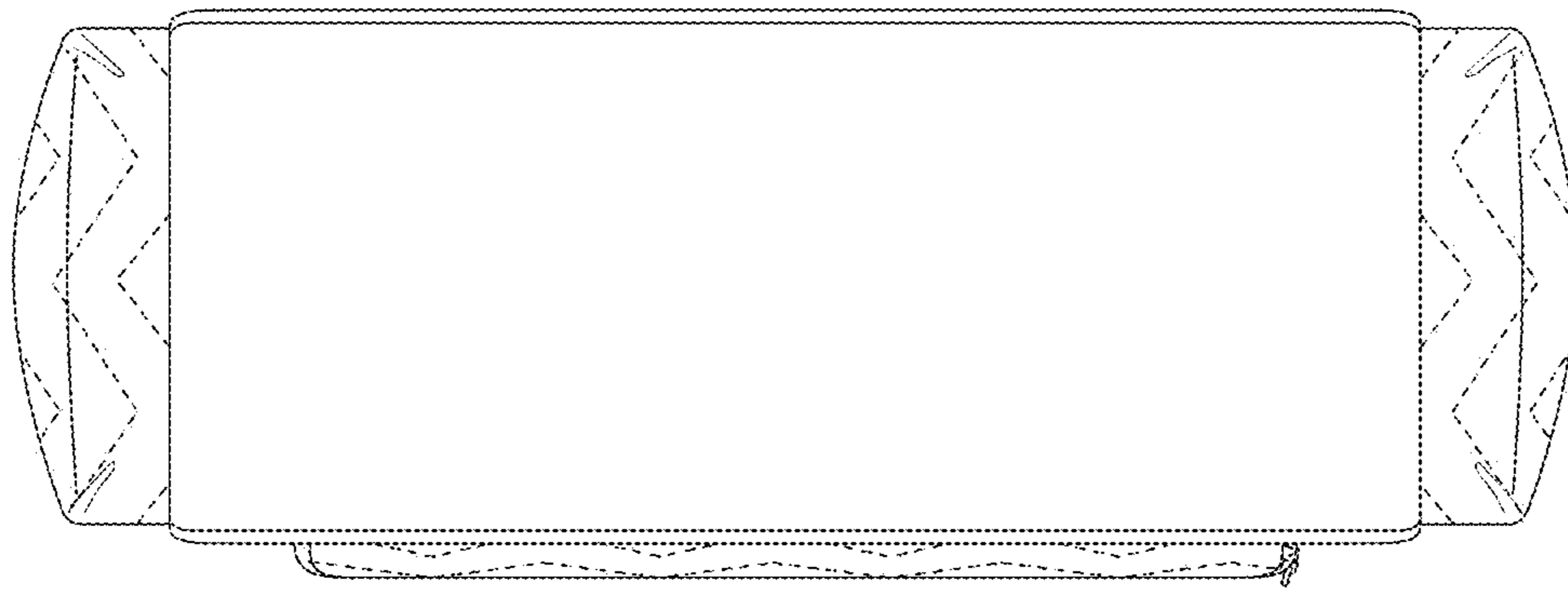


FIG. 7

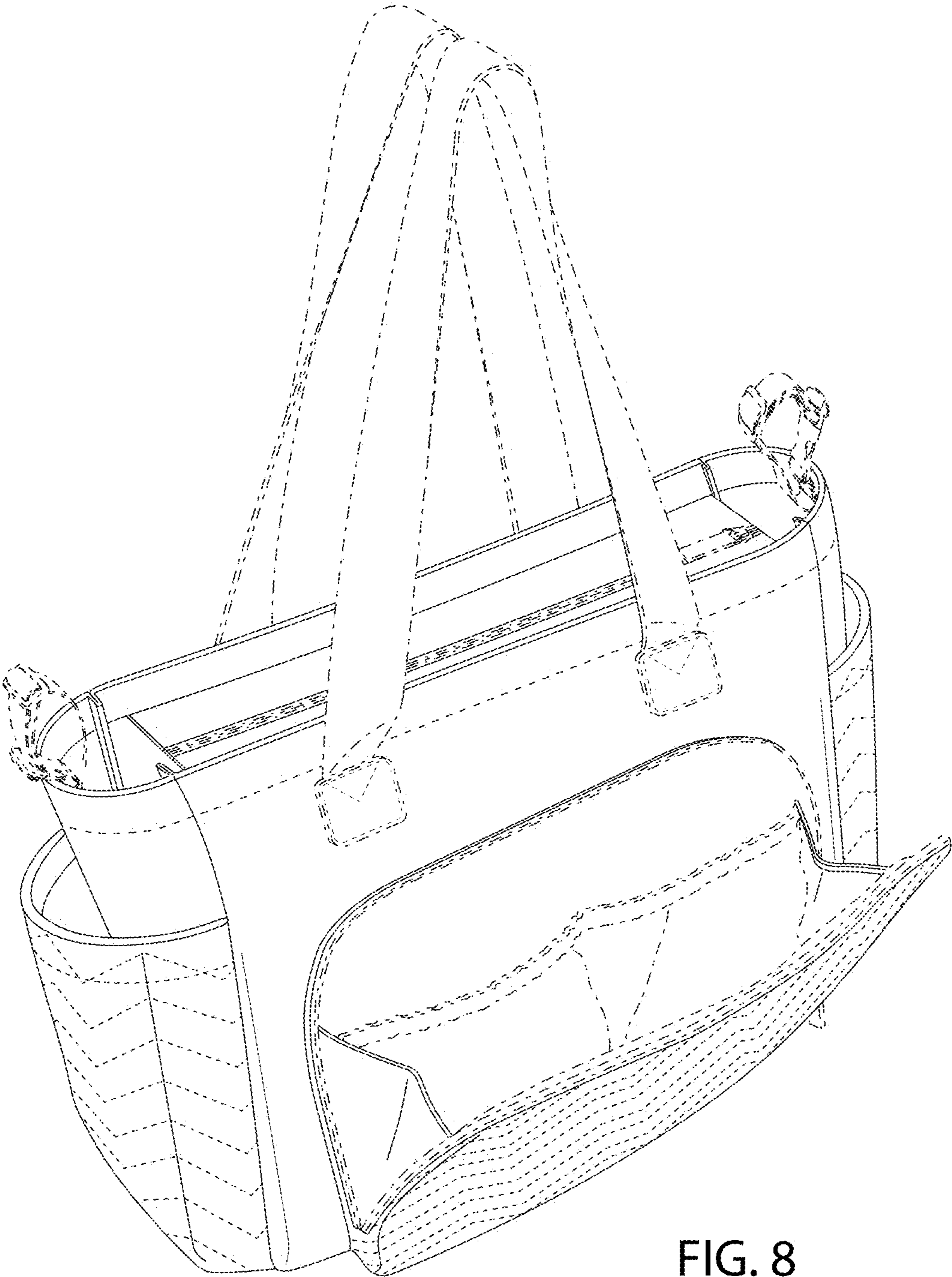


FIG. 8