



US00D880162S

(12) **United States Design Patent** (10) **Patent No.:** **US D880,162 S**
Zemel et al. (45) **Date of Patent:** **** *Apr. 7, 2020**

- (54) **CADDY**
- (71) Applicant: **Mr. Bar-B-Q Products LLC**, Melville, NY (US)
- (72) Inventors: **Marc Zemel**, Melville, NY (US);
Joanne Rudis, Melville, NY (US)
- (73) Assignee: **MR. BAR-B-Q PRODUCTS LLC**, Melville, NY (US)
- (*) Notice: This patent is subject to a terminal disclaimer.
- (**) Term: **15 Years**
- (21) Appl. No.: **29/707,801**
- (22) Filed: **Oct. 1, 2019**

- D283,457 S 4/1986 Smith
- D330,219 S 10/1992 Carlson et al.
- D358,484 S 5/1995 Cautereels et al.
- D361,664 S 8/1995 Brown
- D364,961 S 12/1995 Rehrig
- D369,242 S 4/1996 Tiramani
- D380,299 S * 7/1997 Schlaeger D3/310
- D387,559 S * 12/1997 Williamson D3/313
- D451,281 S 12/2001 Wodkowski et al.
- 6,336,584 B1 1/2002 Roch et al.
- D492,113 S 6/2004 Bayer et al.
- D630,478 S 1/2011 Bell

(Continued)

Primary Examiner — Kelley A Donnelly
(74) *Attorney, Agent, or Firm* — Carter, Deluca & Farrell LLP

(57) **CLAIM**

The ornamental design for a caddy, as shown and described.

Related U.S. Application Data

- (63) Continuation of application No. 29/650,381, filed on Jun. 6, 2018, now Pat. No. Des. 863,764.
- (51) **LOC (12) Cl.** **03-01**
- (52) **U.S. Cl.**
USPC **D3/310**
- (58) **Field of Classification Search**
USPC D3/304, 307, 310, 313, 315, 328;
D6/672, 673, 678, 682, 683, 683.1;
D7/550.1, 552.1, 553.1, 555
CPC B65D 1/24; B65D 2501/24; B65D 1/36;
B25F 5/029
See application file for complete search history.

DESCRIPTION

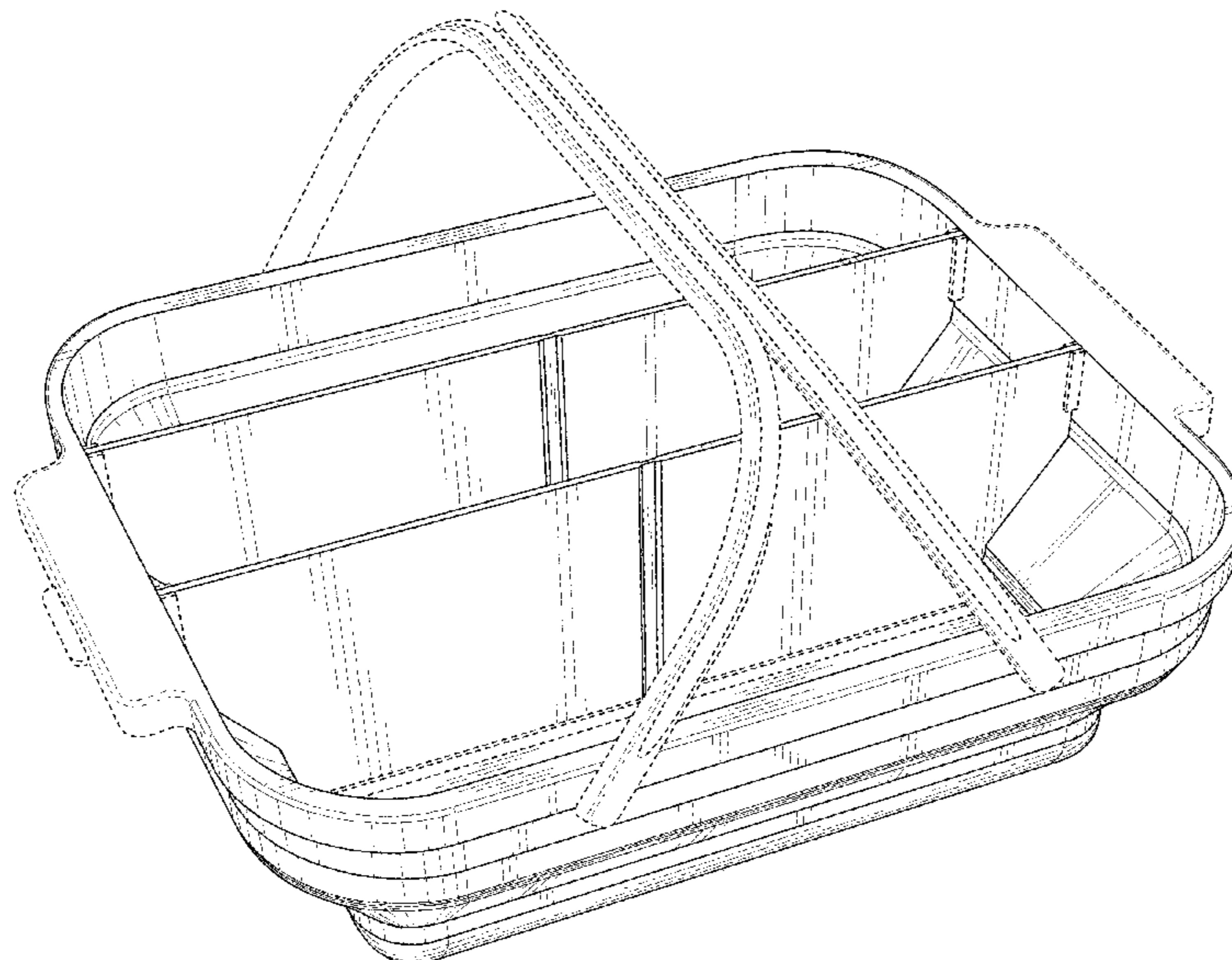
FIG. 1 is a top perspective view of a caddy in an open configuration in accordance with the present design;
 FIG. 2 is an exploded top perspective view thereof;
 FIG. 3 is a left side elevational view thereof;
 FIG. 4 is a right side elevational view thereof;
 FIG. 5 is a front elevational view thereof;
 FIG. 6 is a rear elevational view thereof;
 FIG. 7 is a top plan view thereof;
 FIG. 8 is a bottom plan view thereof;
 FIG. 9 is a bottom perspective view of the caddy of FIG. 1 in a closed configuration in accordance with the present design;
 FIG. 10 is an exploded bottom perspective view of the caddy of FIG. 9; and,
 FIG. 11 is a further exploded bottom perspective view of the caddy of FIG. 10 in accordance with the present design.
 The broken lines shown in the drawings illustrate portions of the caddy that form no part of the claimed design.

(56) **References Cited**

U.S. PATENT DOCUMENTS

- D168,277 S 11/1952 Roberts
- 2,640,621 A * 6/1953 Mokin B65D 25/06
220/674
- 3,032,230 A 5/1962 Gerber

1 Claim, 11 Drawing Sheets



(56)

References Cited

U.S. PATENT DOCUMENTS

D642,870	S	8/2011	Whitlock et al.	
D649,786	S *	12/2011	Lipfert	D3/308
8,448,813	B2	5/2013	Vanderberg et al.	
D710,061	S *	7/2014	Scherrer	D32/3
9,687,064	B2	6/2017	Mellick et al.	
D792,222	S *	7/2017	Sill	D9/456
D795,584	S	8/2017	Walker, Jr. et al.	
D826,509	S	8/2018	Foley et al.	
D830,060	S *	10/2018	Kraemer	D3/310
D834,298	S *	11/2018	Waller	D3/20
D842,607	S *	3/2019	Kraemer	D3/310
D843,113	S	3/2019	Carter et al.	
D846,281	S *	4/2019	Greenwood	D3/313
D848,151	S *	5/2019	Greenwood	D3/313
D856,264	S *	8/2019	Kemerer	D12/416
D861,345	S *	10/2019	Brunner	D3/315

* cited by examiner

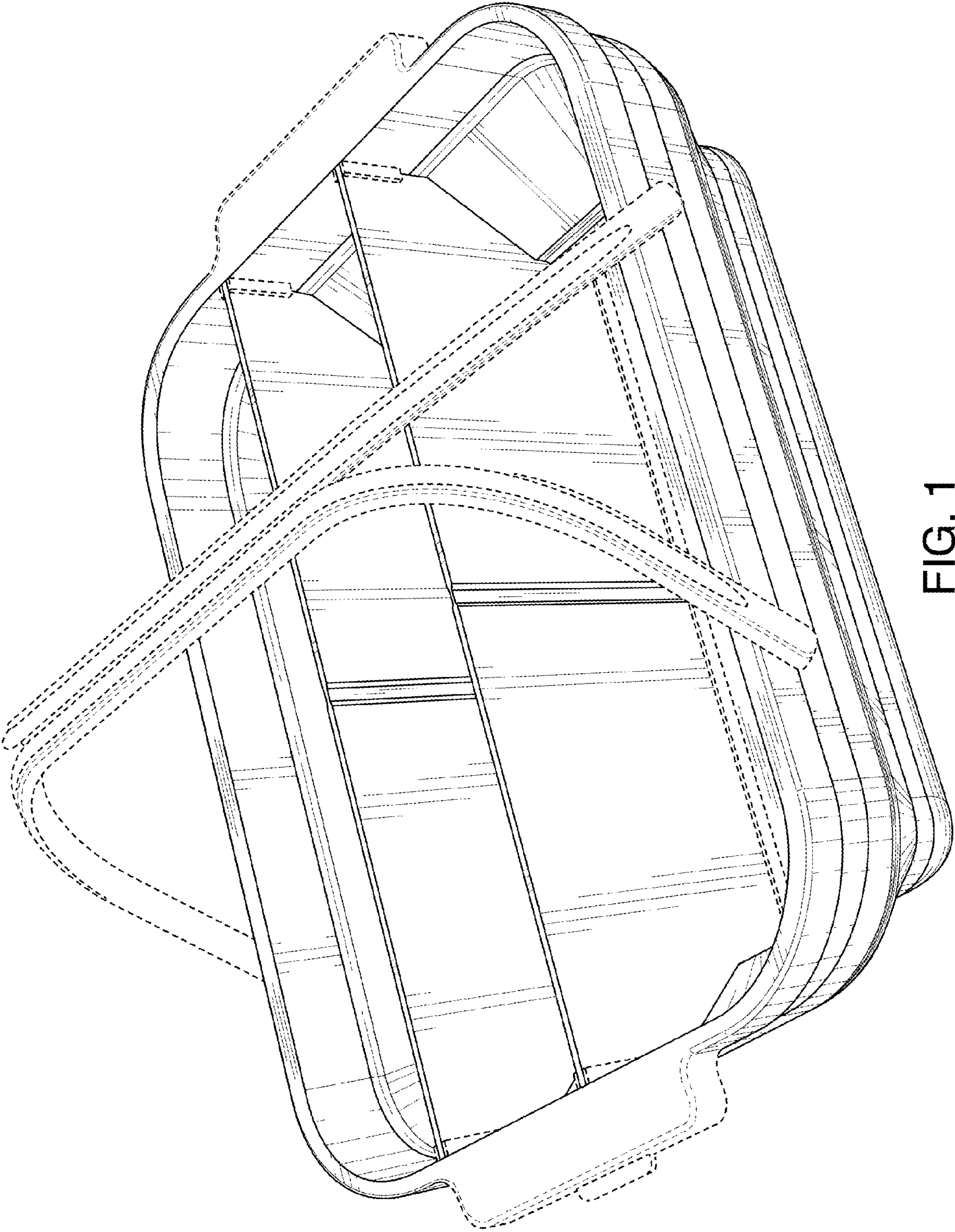


FIG. 1

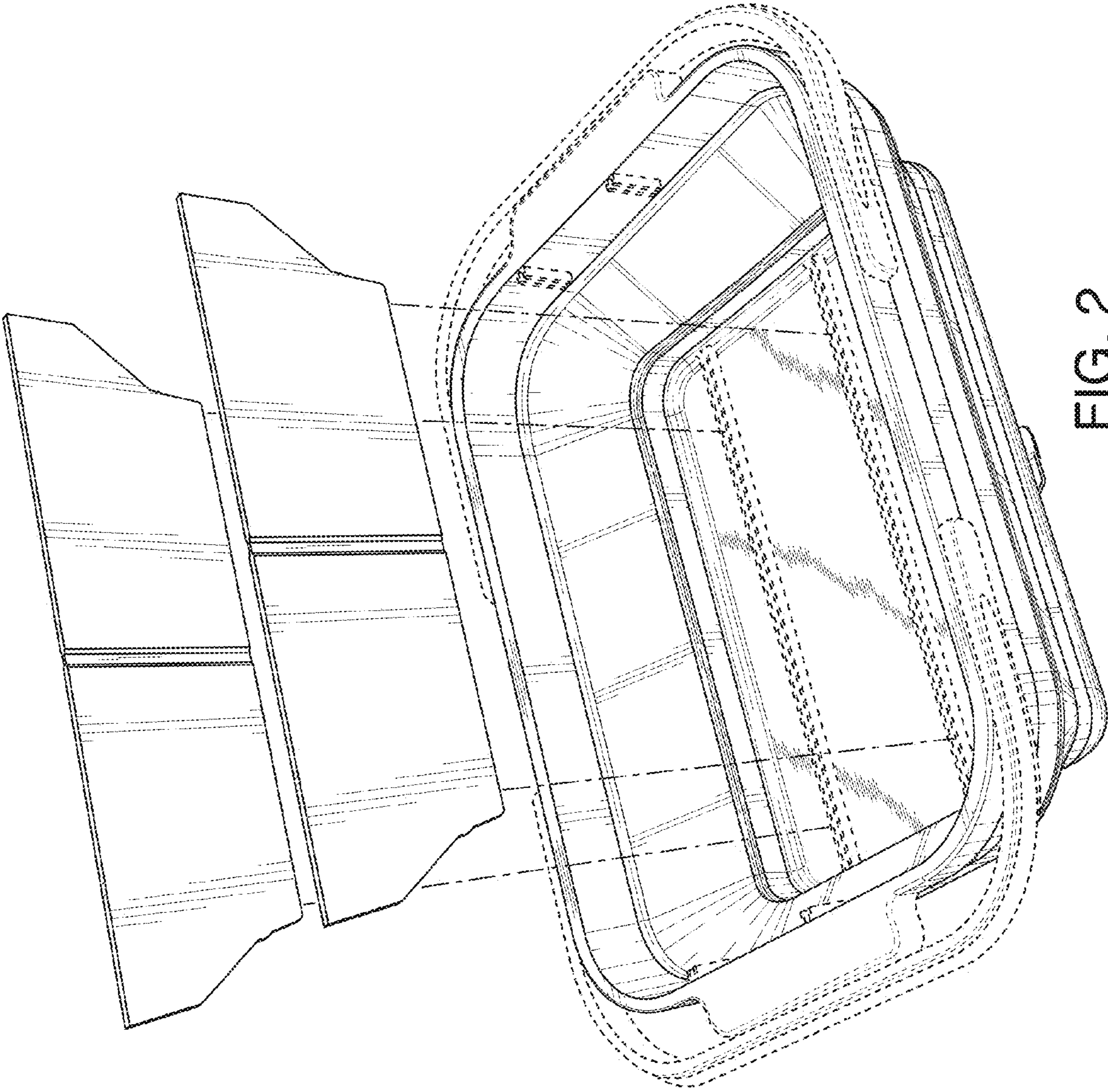


FIG. 2

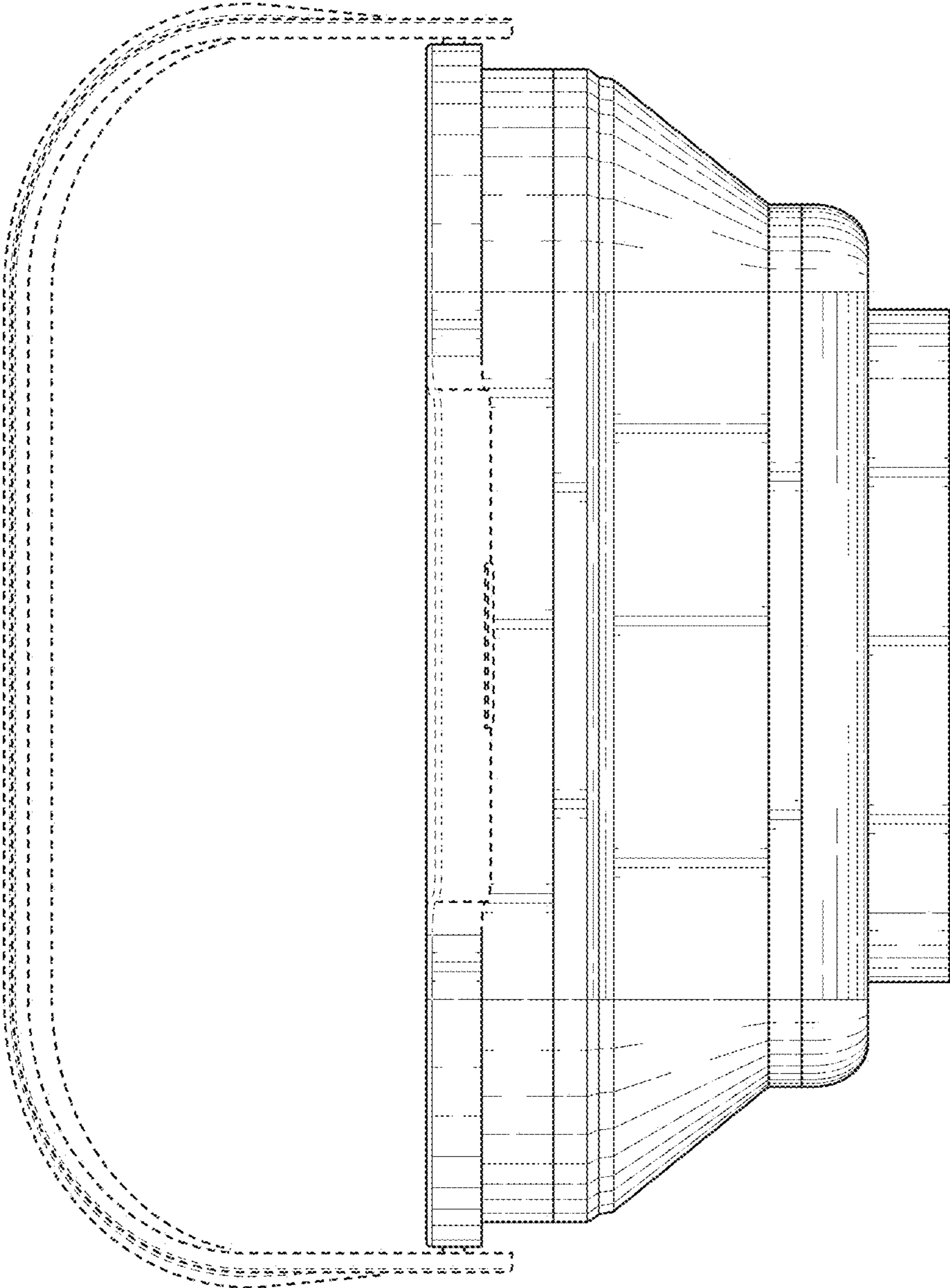


FIG. 3

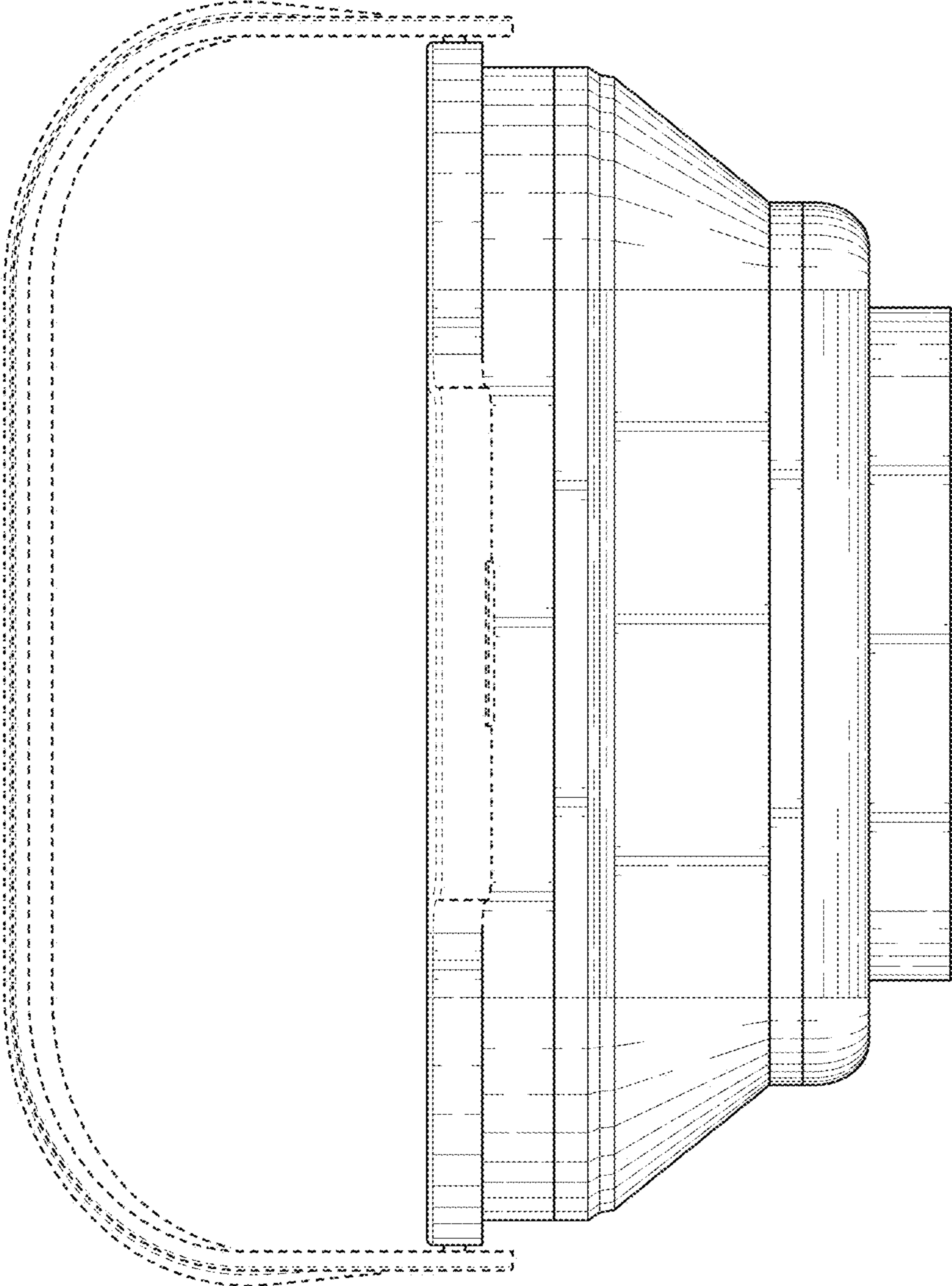


FIG. 4

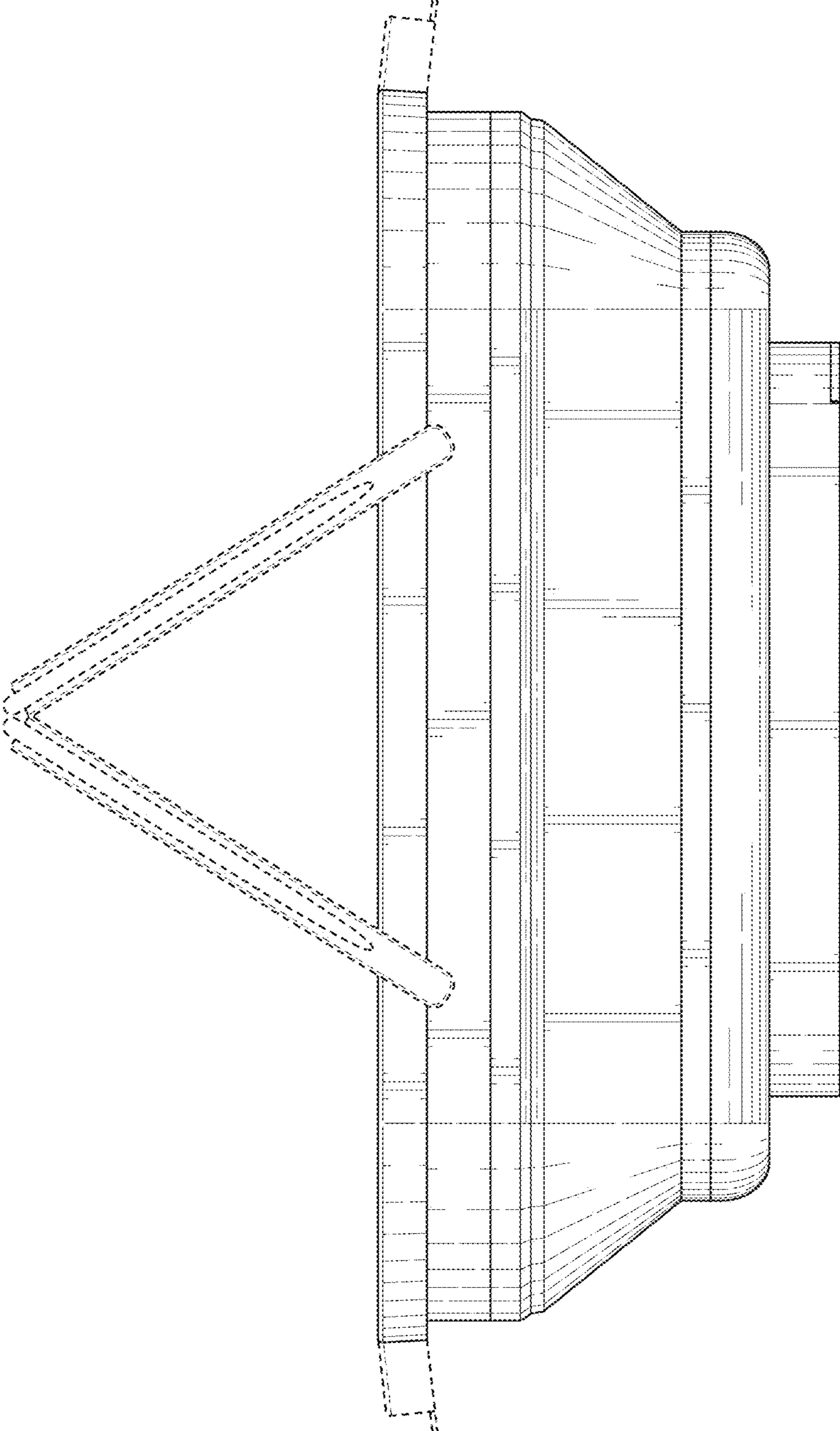


FIG. 5

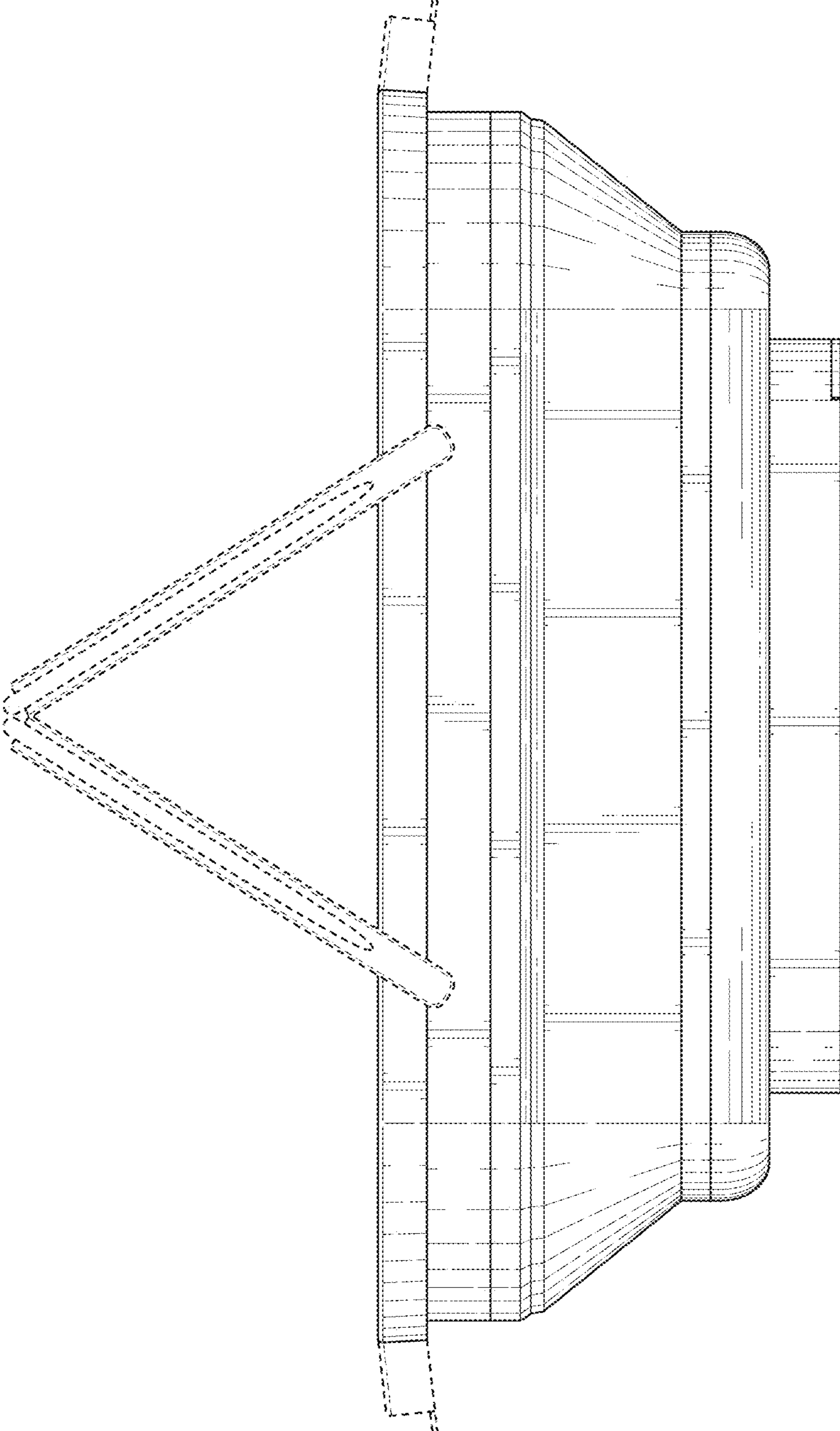


FIG. 6

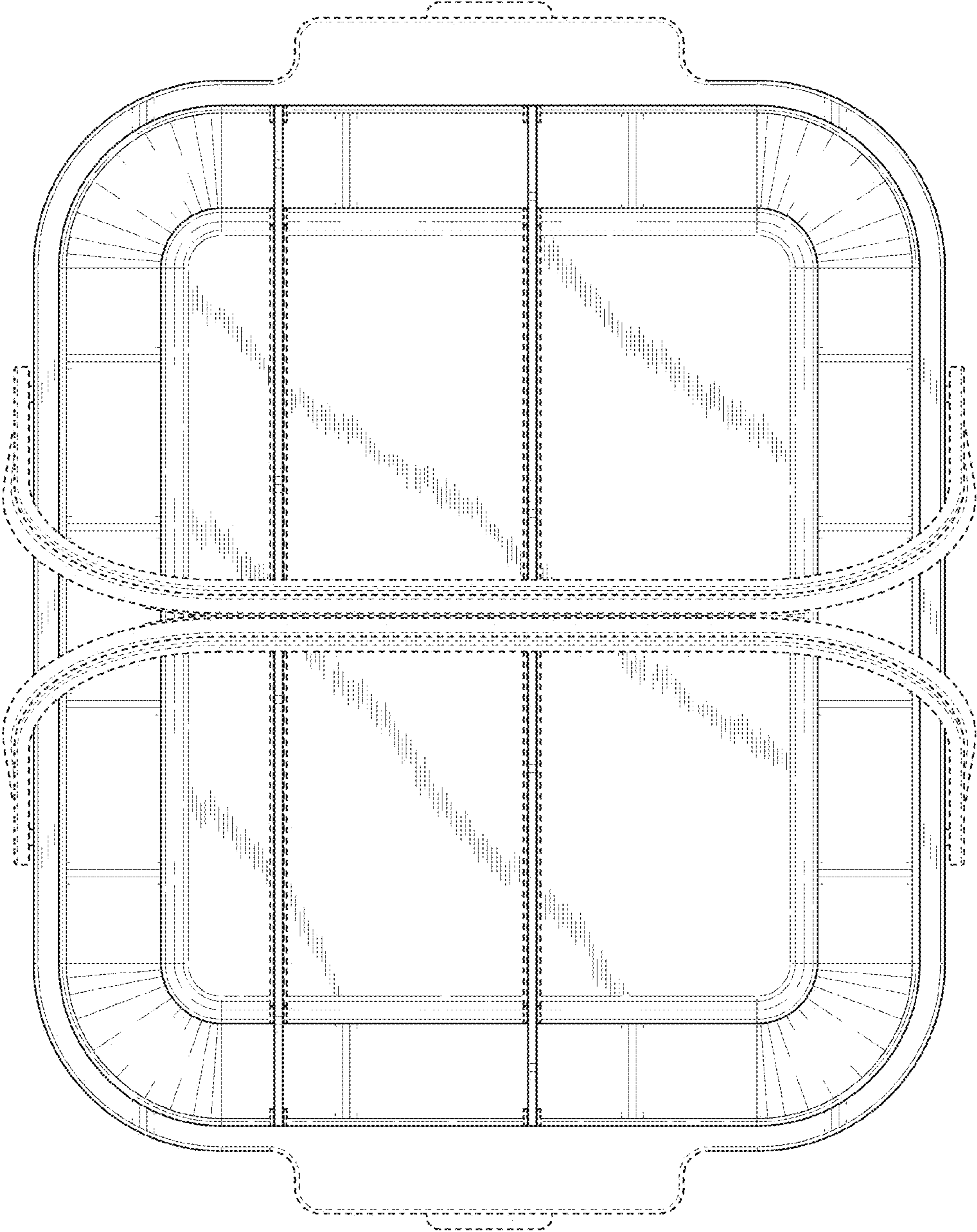


FIG. 7

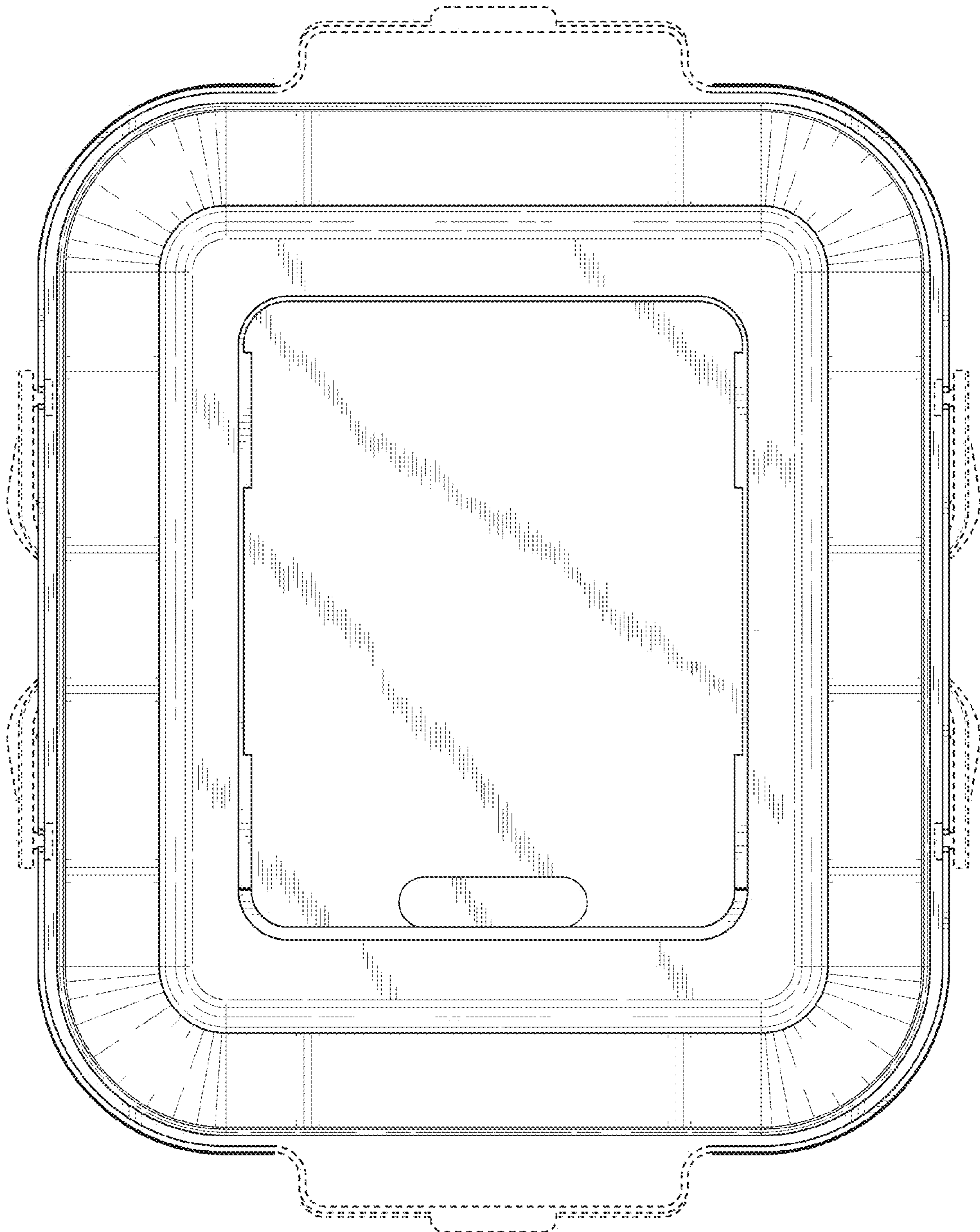


FIG. 8

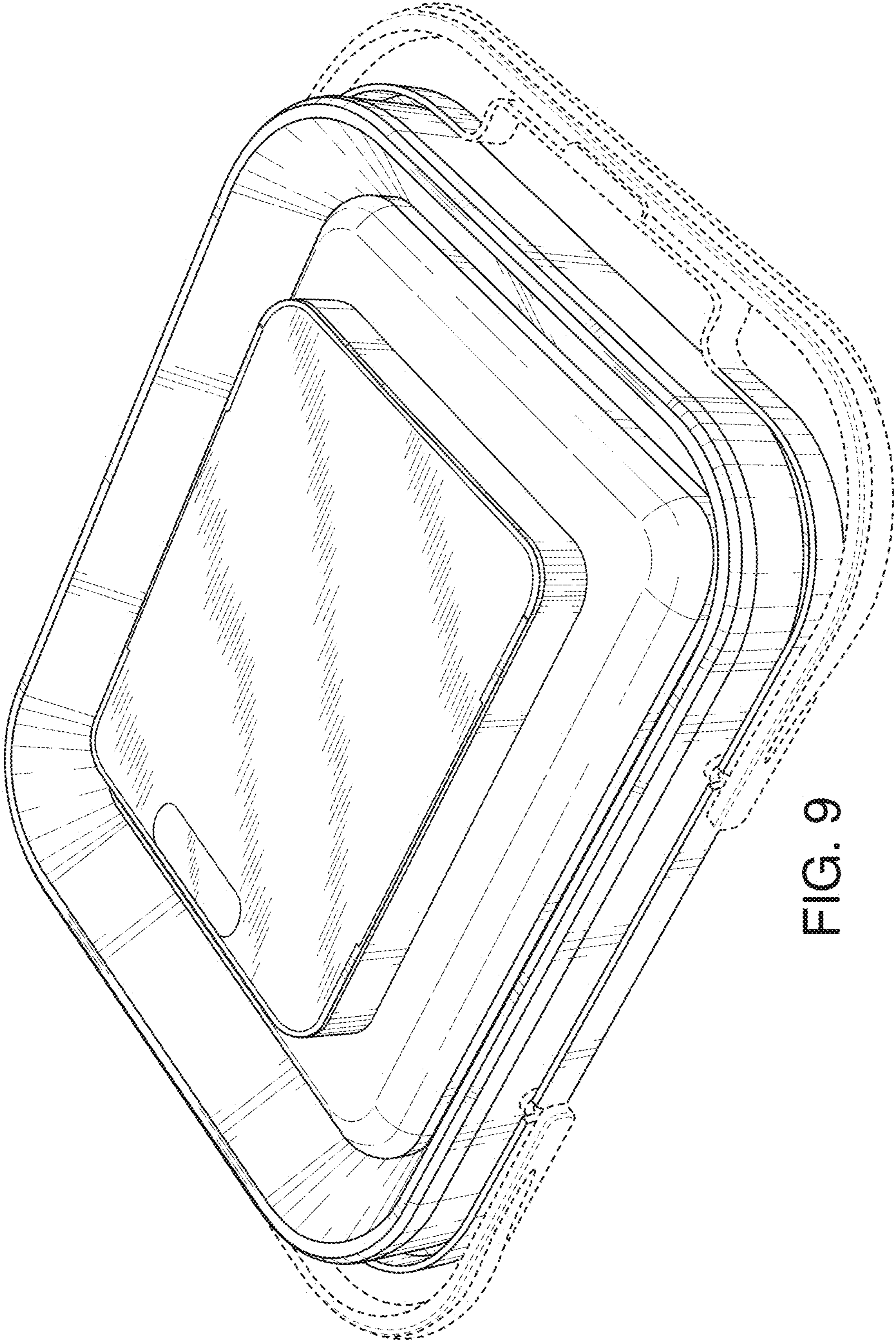


FIG. 9

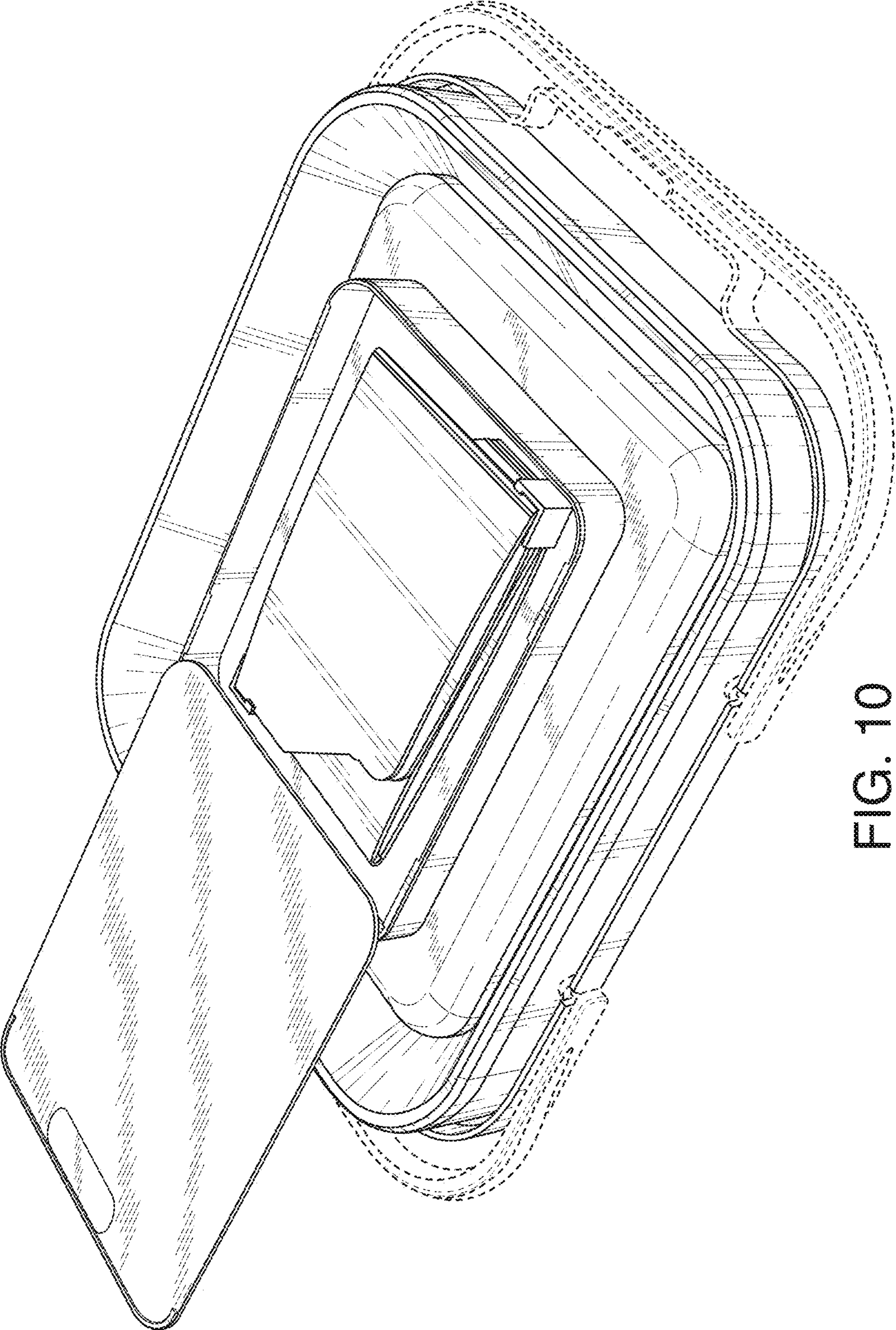


FIG. 10

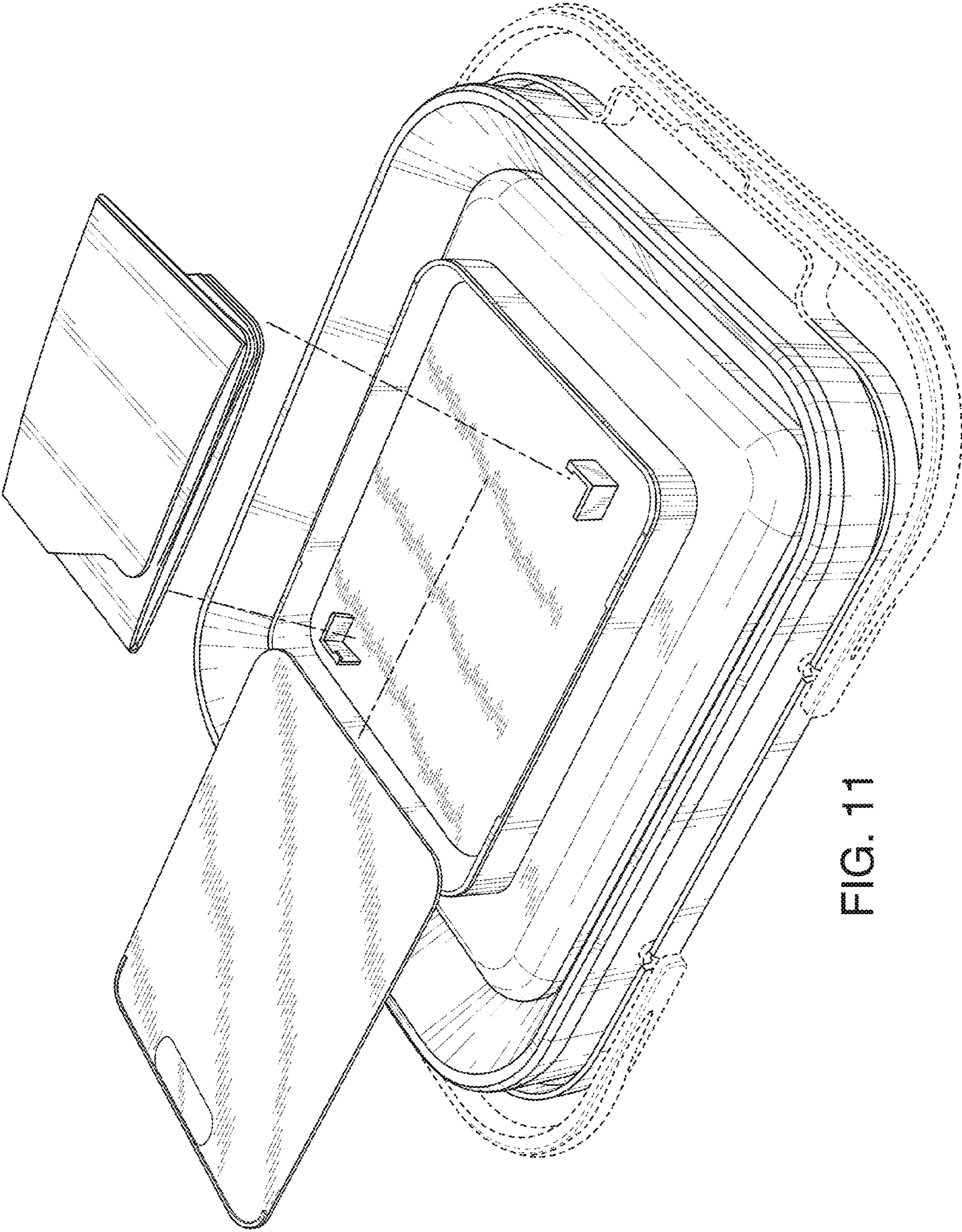


FIG. 11