



US00D880160S

(12) **United States Design Patent** (10) **Patent No.:** **US D880,160 S**
Hsu (45) **Date of Patent:** **** Apr. 7, 2020**

(54) **CONTAINER**
(71) Applicant: **L&F PLASTICS, CO., LTD.**, Miaoli County (TW)
(72) Inventor: **Mu-Chuan Hsu**, Miaoli County (TW)
(73) Assignee: **L&F Plastics Co., Ltd.**, Miaoli County (TW)
(**) Term: **15 Years**
(21) Appl. No.: **29/631,172**
(22) Filed: **Dec. 28, 2017**
(30) **Foreign Application Priority Data**

Aug. 30, 2017 (TW) 106305040
Aug. 30, 2017 (TW) 106305041
Aug. 30, 2017 (TW) 106305042

(51) **LOC (12) Cl.** **03-01**
(52) **U.S. Cl.**
USPC **D3/304**

(58) **Field of Classification Search**
USPC D3/203.1, 203.6, 225, 218, 273, 302, D3/304, 314; D30/161
CPC A45C 13/083; A47F 1/04; B65D 71/0003; B65D 2543/00222; B65D 2543/00296
See application file for complete search history.

(56) **References Cited**
U.S. PATENT DOCUMENTS

1,862,609 A * 6/1932 Shaw B65D 21/0213 312/107
2,916,161 A * 12/1959 Schaefer B65D 21/0215 211/126.2
3,113,680 A * 12/1963 Frater B65D 21/048 211/126.4
D274,012 S * 5/1984 Williams D3/304
D301,927 S * 6/1989 Williams, Jr. D3/304

D309,970 S * 8/1990 Embree D3/304
D327,561 S * 6/1992 Hradisky D3/307
D327,971 S * 7/1992 Cugley D3/304
D336,698 S * 6/1993 Conaway D3/307
D380,880 S * 7/1997 Reid D30/118
D425,703 S * 5/2000 Ohayon D3/201
D436,728 S * 1/2001 Harding D3/201
D467,052 S * 12/2002 Van Landingham, Jr. D34/1
D473,377 S * 4/2003 Chandaria D3/304
D517,319 S * 3/2006 Wisnoski D3/304
D538,539 S * 3/2007 Richardson D3/314
D545,060 S * 6/2007 Cheng D3/304
D547,973 S * 8/2007 Brown D3/313
D581,159 S * 11/2008 Neilsen D3/304
D581,670 S * 12/2008 Neilsen D3/304
D582,190 S * 12/2008 Valiulis D6/567
D583,562 S * 12/2008 Ghiorghie D3/304
D600,017 S * 9/2009 Christie D3/304
D606,314 S * 12/2009 Neilsen D3/313
D639,562 S * 6/2011 Cadwell D3/307

(Continued)

Primary Examiner — Kelley A Donnelly
(74) *Attorney, Agent, or Firm* — Alan D. Kamrath; Karin L. Williams; Mayer & Williams PC

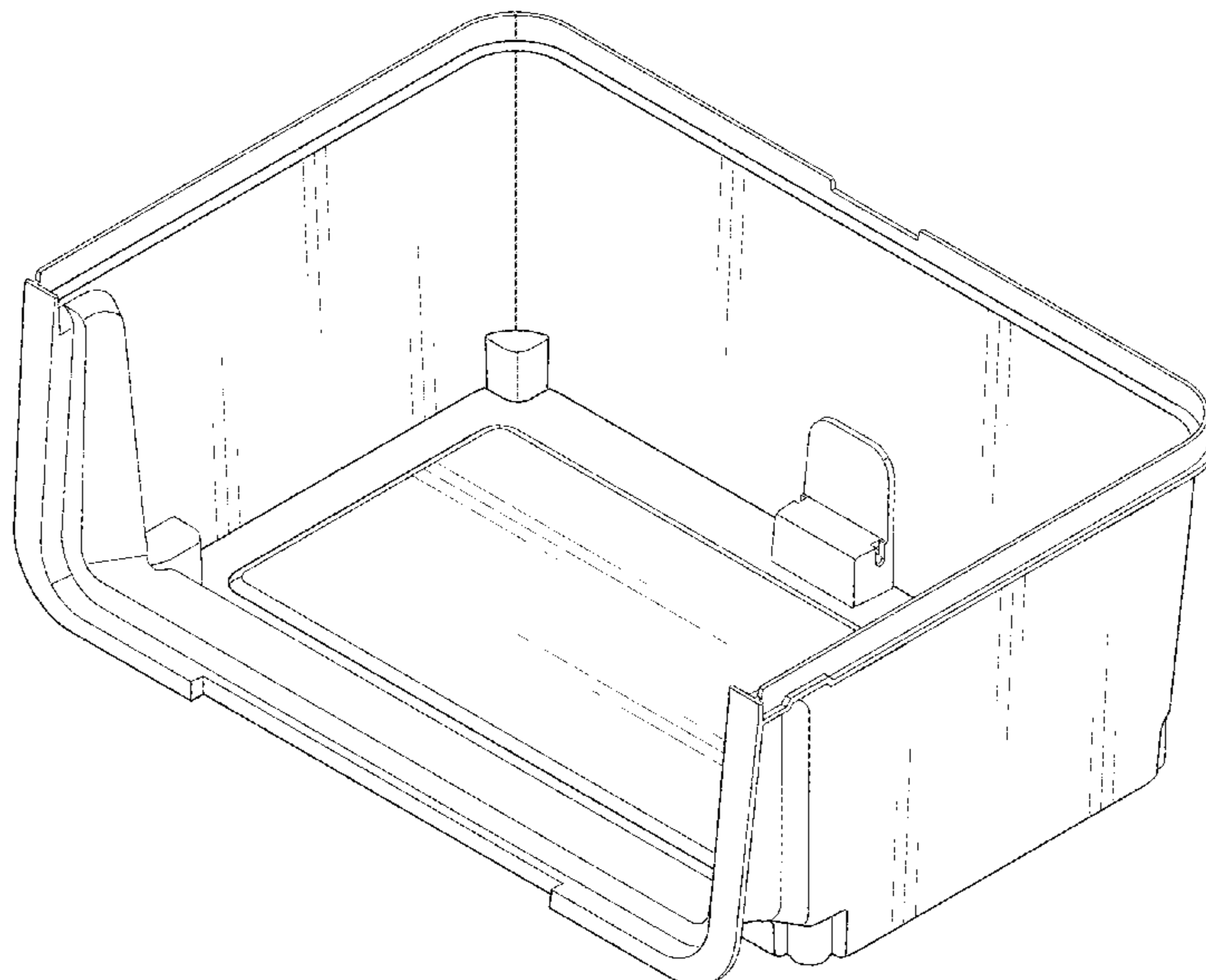
(57) **CLAIM**

The ornamental design for container, as shown and described.

DESCRIPTION

FIG. 1 is a perspective view of a container showing my new design;
FIG. 2 is a front side elevational view thereof;
FIG. 3 is a rear side elevational view thereof;
FIG. 4 is a left side elevational view thereof;
FIG. 5 is a right side elevational view thereof;
FIG. 6 is a top plan view thereof;
FIG. 7 is a bottom plan view thereof;
FIG. 8 is a rear perspective view thereof; and,
FIG. 9 is a perspective view of article in use thereof.

1 Claim, 9 Drawing Sheets



(56)

References Cited

U.S. PATENT DOCUMENTS

D651,801	S	*	1/2012	Brown	D3/304
D666,829	S	*	9/2012	Liao	D3/304
D677,055	S	*	3/2013	Nowicky	D3/304
D683,962	S	*	6/2013	Brunner	D3/304
D689,718	S	*	9/2013	Puckett	D6/683
D690,514	S	*	10/2013	Shamp	D3/304
D699,034	S	*	2/2014	Engert	D3/304
D716,552	S	*	11/2014	Theisen	D3/304
D727,072	S	*	4/2015	Sorel	D6/683
D731,185	S	*	6/2015	Hsu	D3/304
D731,186	S	*	6/2015	Hsu	D3/304
D731,794	S	*	6/2015	Hurst	D3/304
D745,781	S	*	12/2015	Hsu	D3/304
D762,065	S	*	7/2016	Hsu	D3/304
D764,170	S	*	8/2016	Bougay	D3/304
D766,574	S	*	9/2016	Hsu	D3/304
D769,622	S	*	10/2016	Frank	D3/304
D777,428	S	*	1/2017	Hsu	D3/273
D778,608	S	*	2/2017	Hsu	D3/294
D790,856	S	*	7/2017	Levy	D3/304
D791,481	S	*	7/2017	Frank	D3/304
D793,774	S	*	8/2017	Kelly	D6/675
D797,451	S	*	9/2017	Levy	D3/304
D831,921	S	*	10/2018	Thuma	D34/1
D855,991	S	*	8/2019	Hsu	D3/304

* cited by examiner

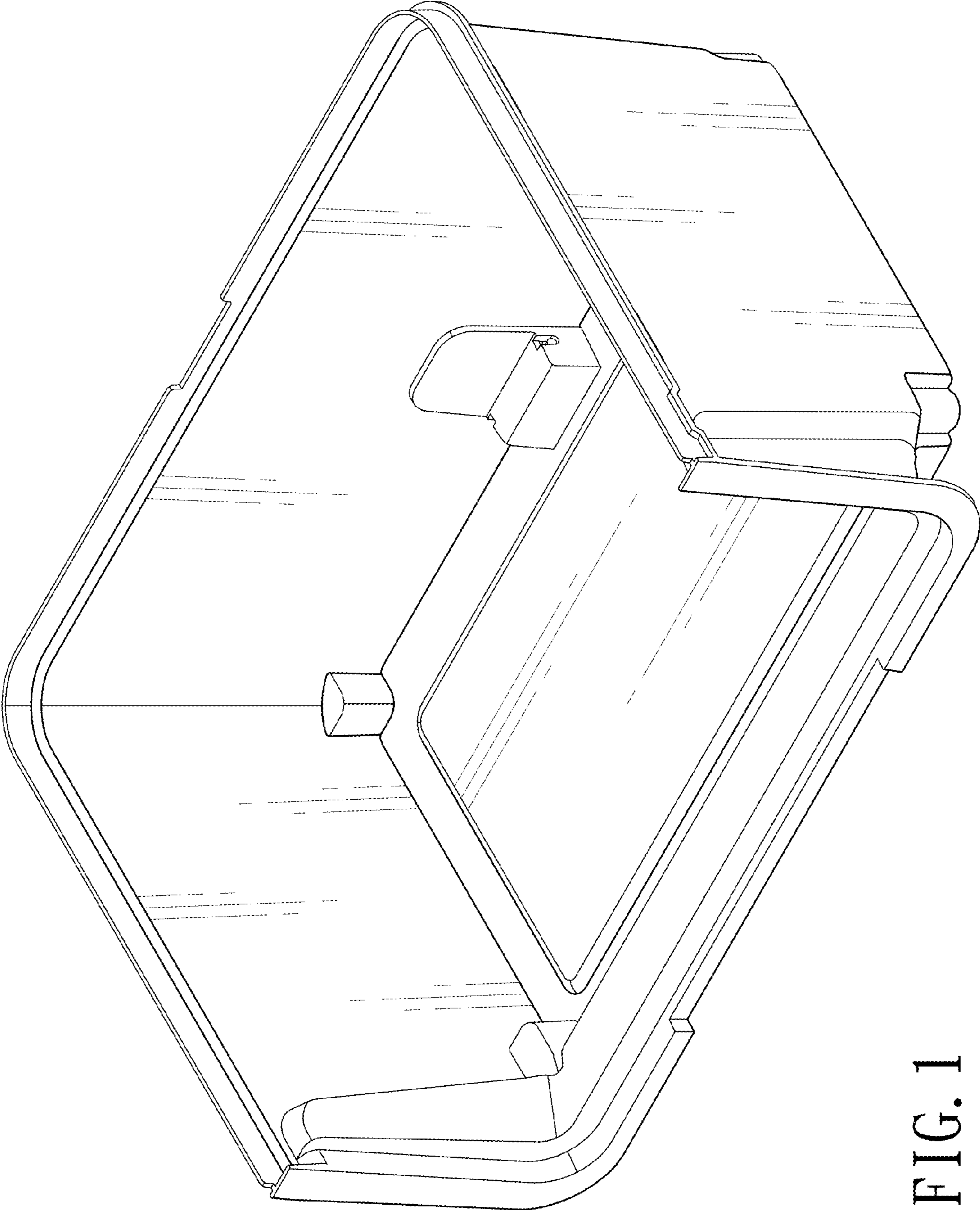


FIG. 1

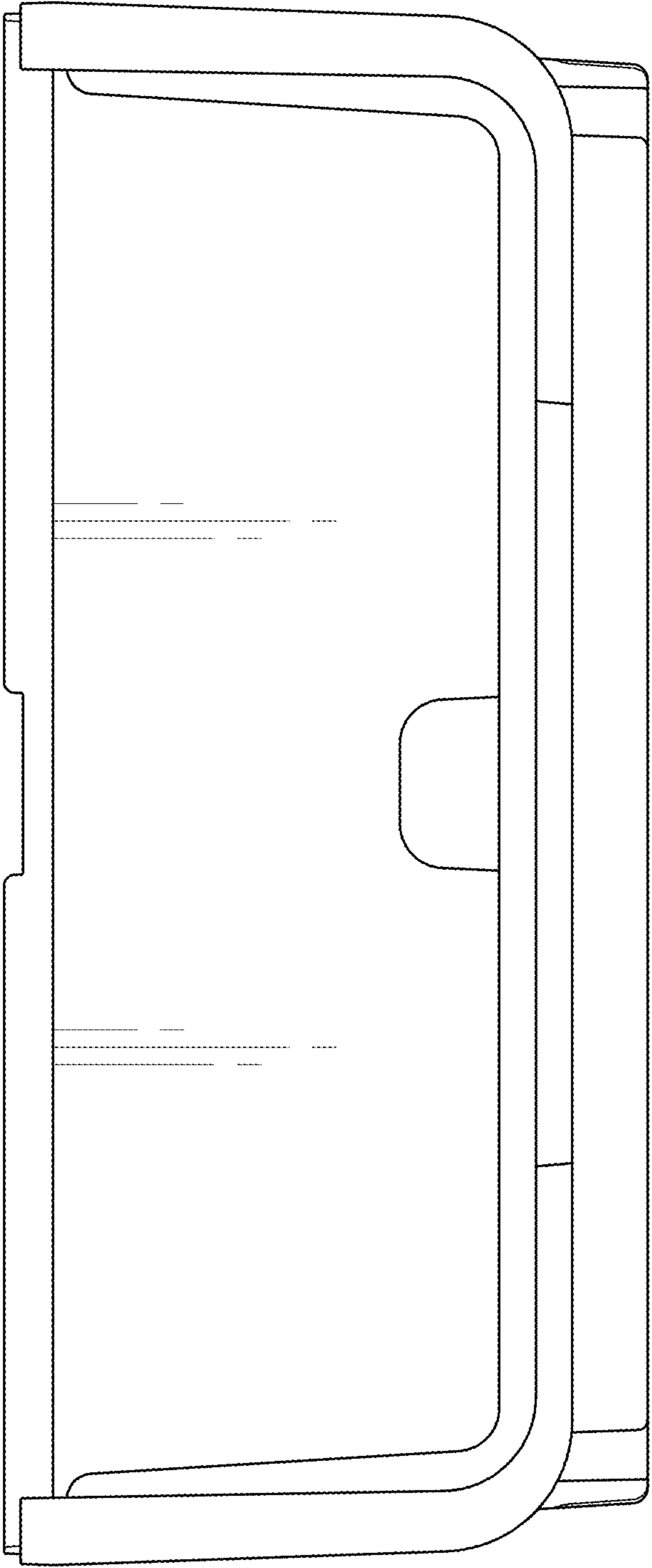


FIG. 2

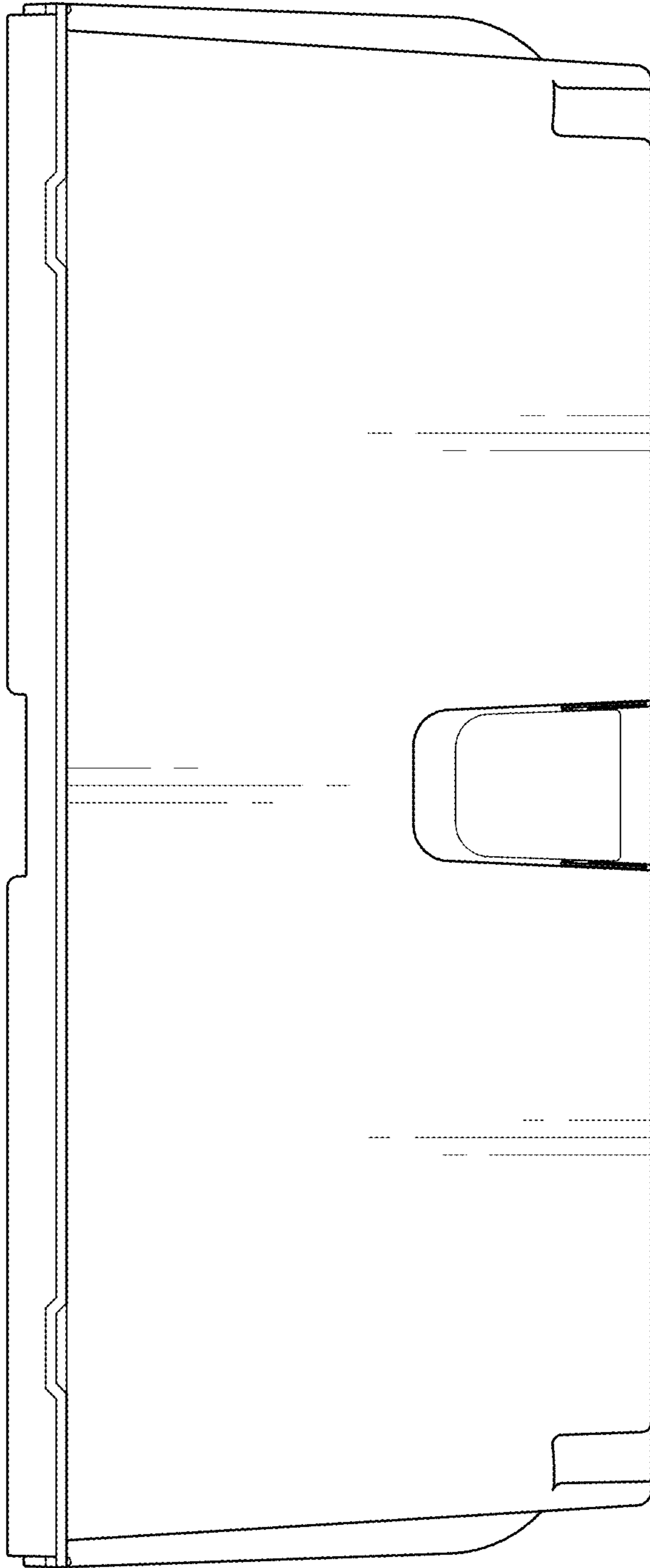


FIG. 3

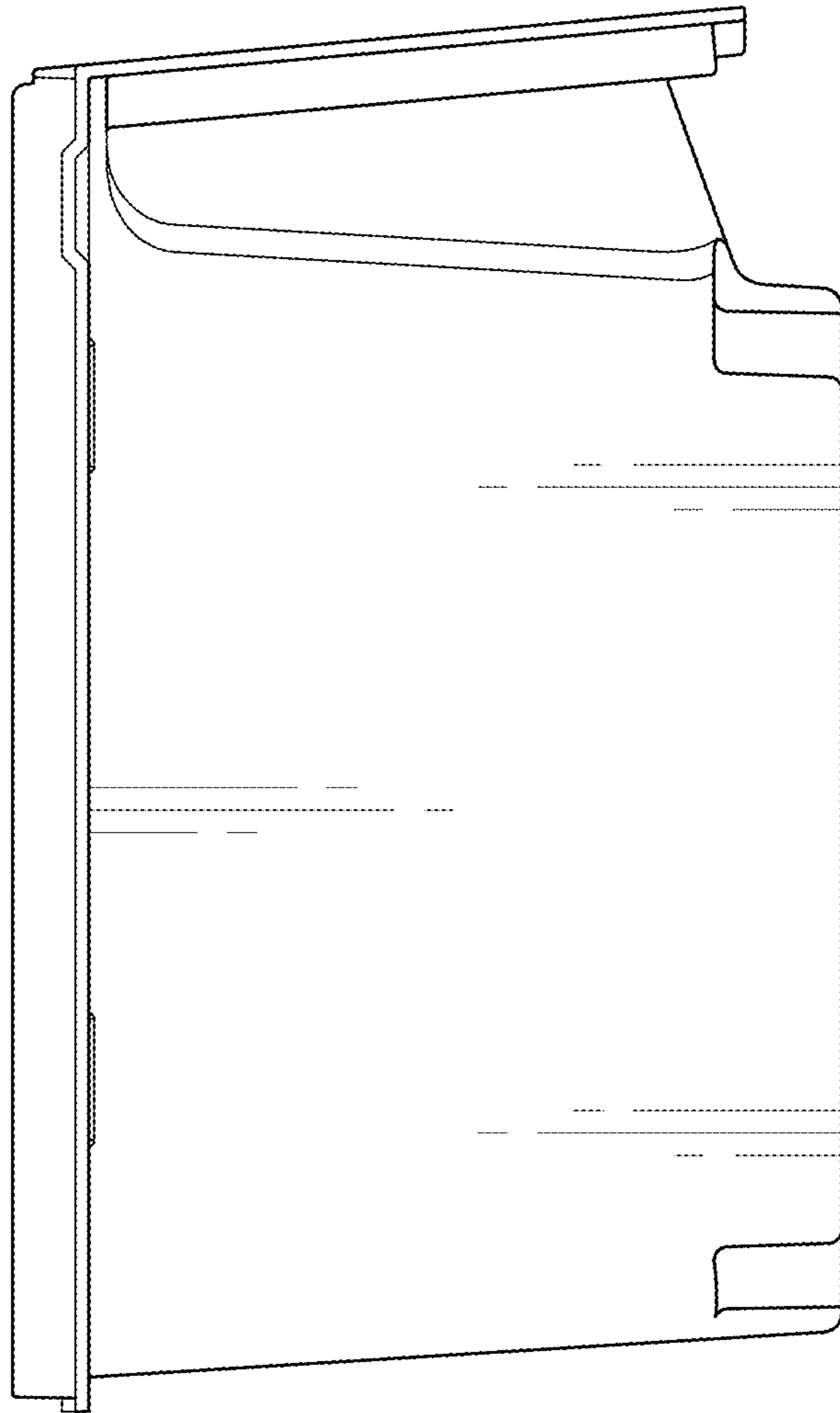


FIG. 4

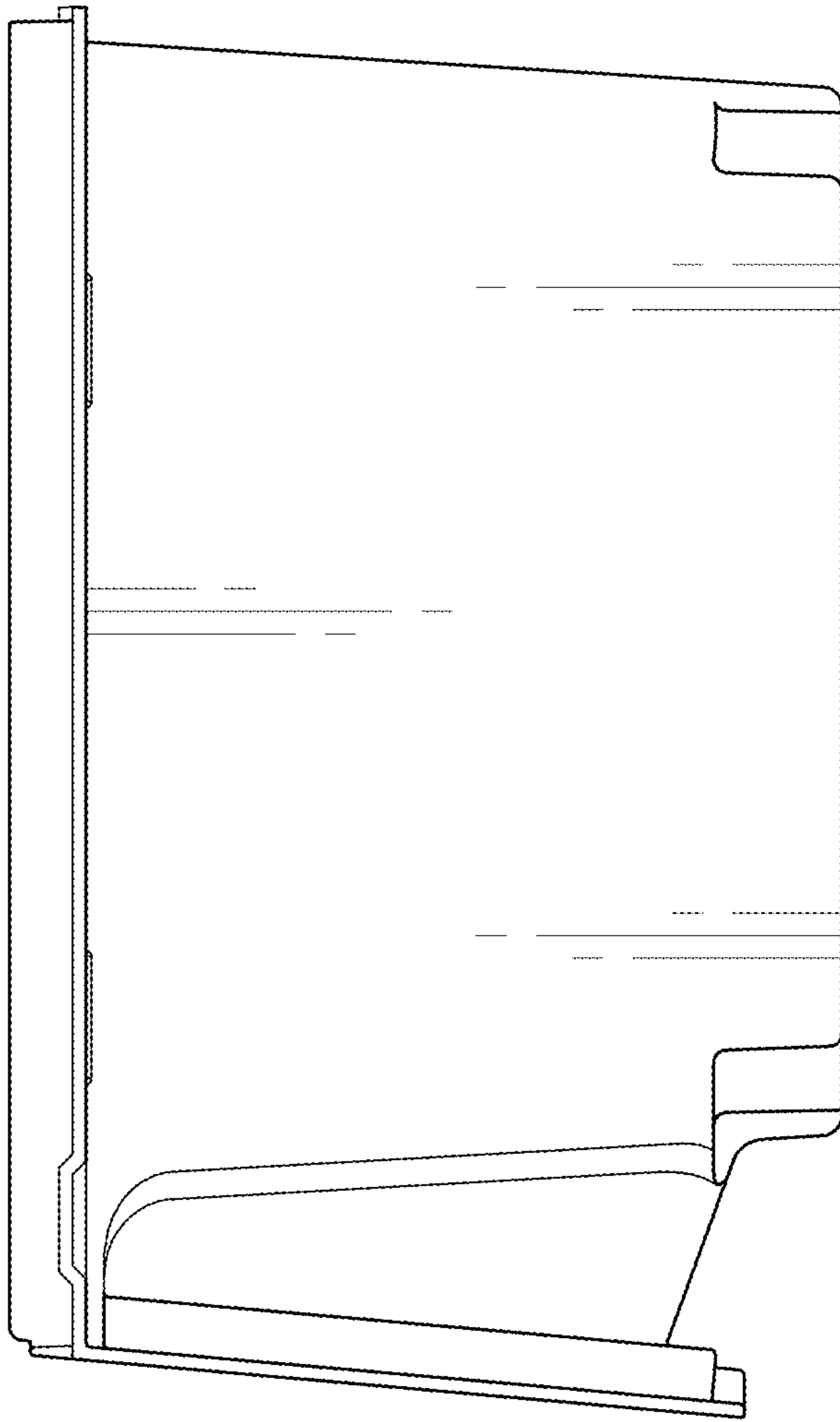


FIG. 5



FIG. 6

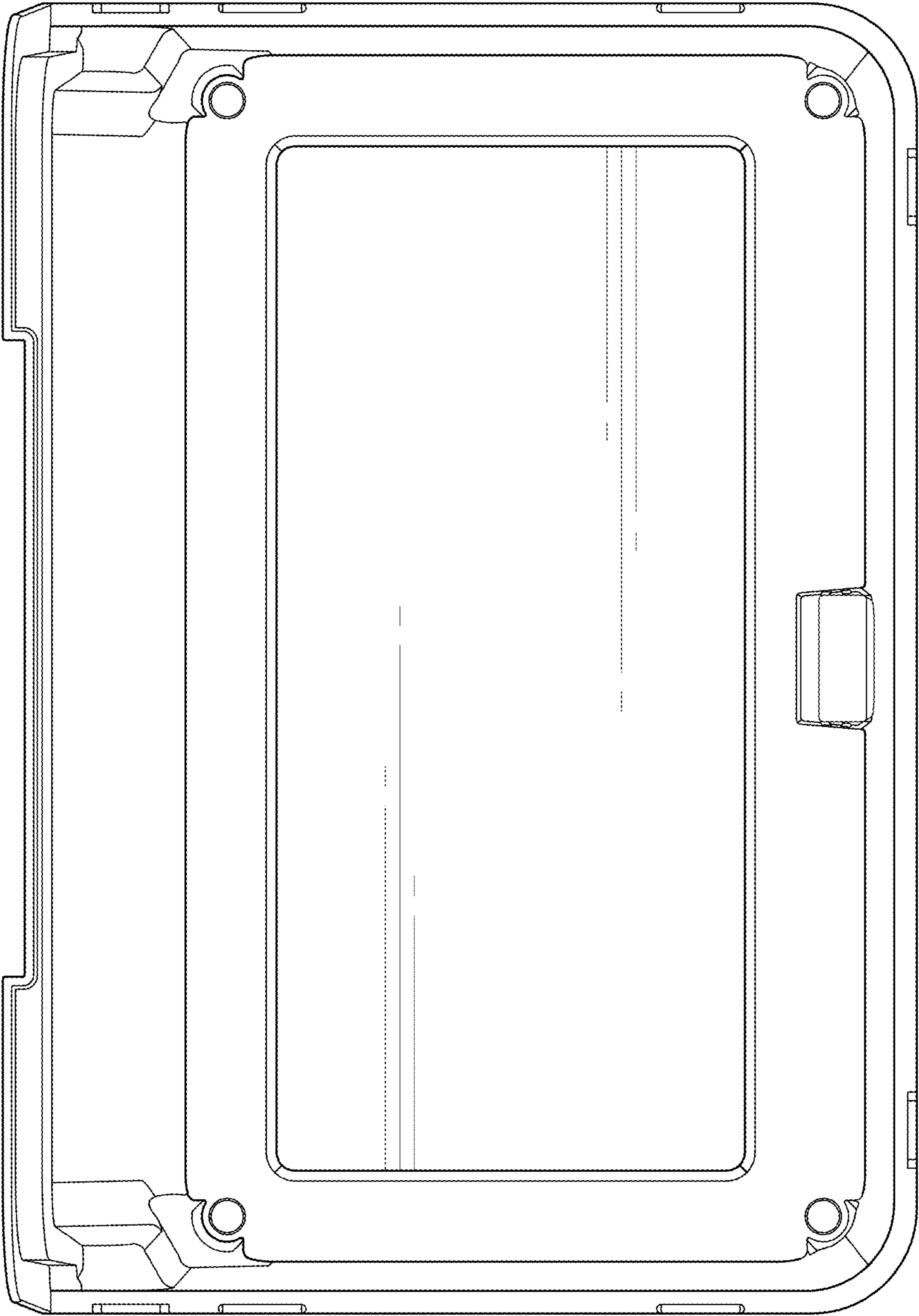


FIG. 7

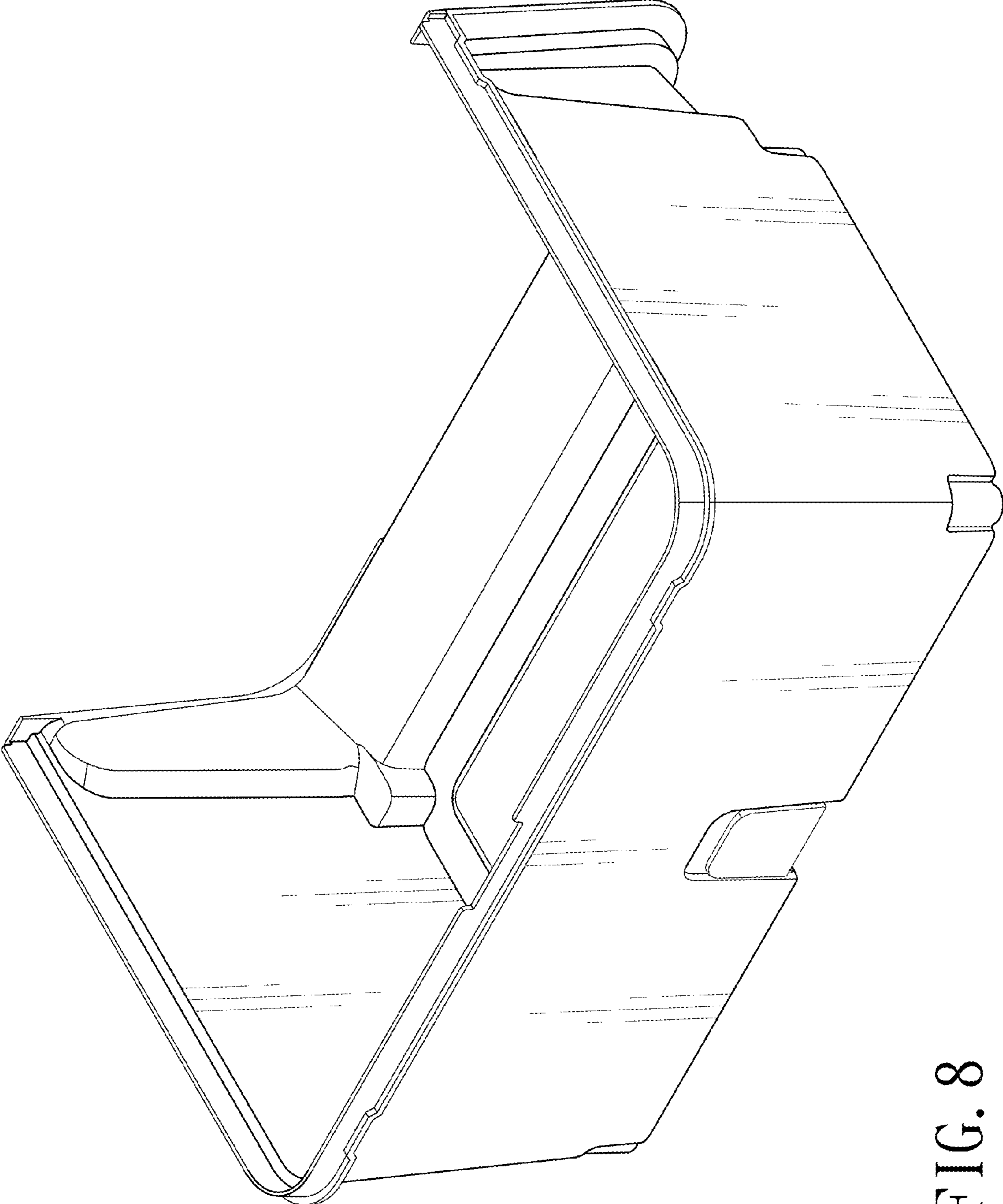


FIG. 8

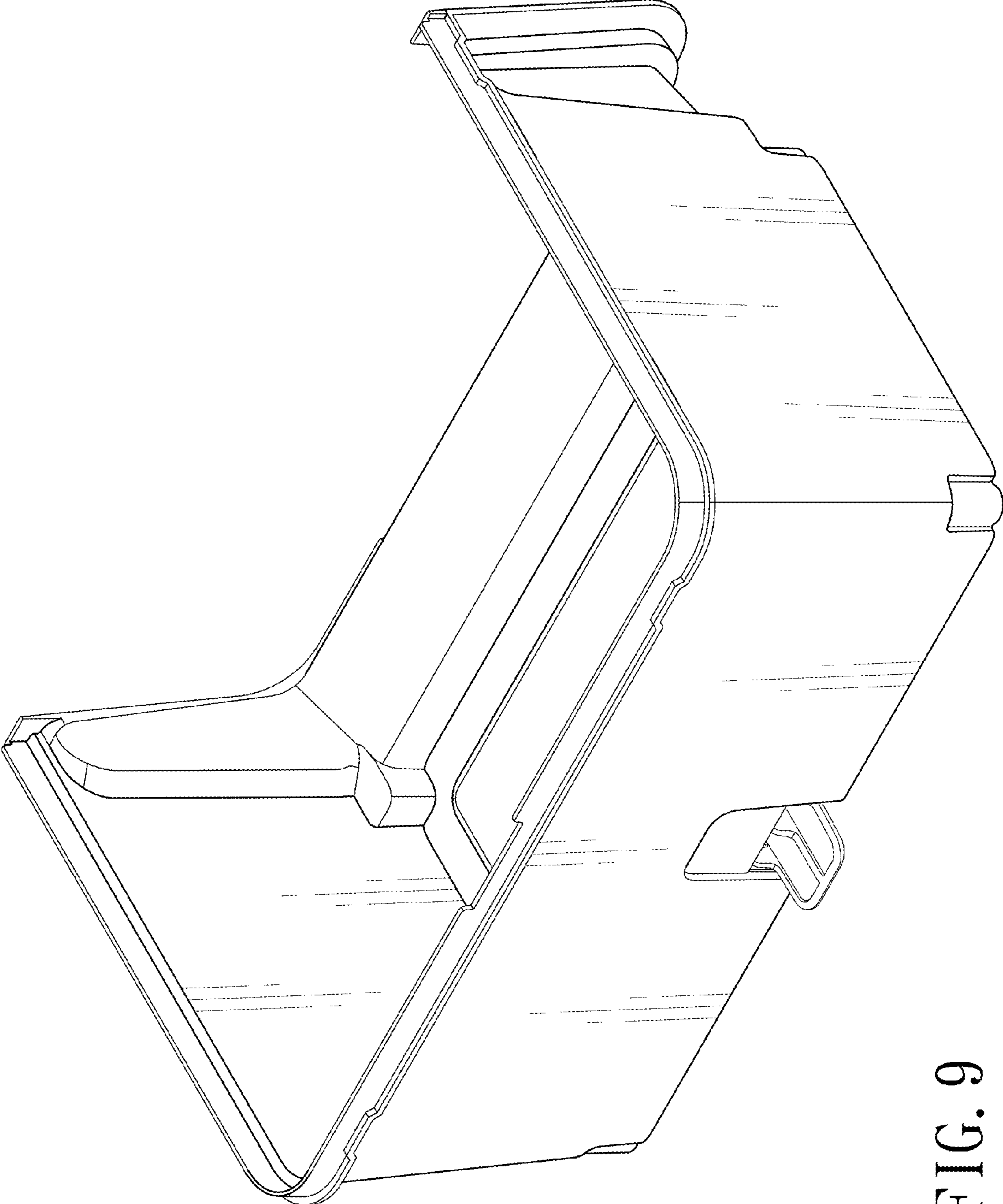


FIG. 9