



US00D880158S

(12) **United States Design Patent**
Farington

(10) **Patent No.:** **US D880,158 S**

(45) **Date of Patent:** **** Apr. 7, 2020**

(54) **STORAGE CONTAINER WITH INTERIOR TETHER**

(71) Applicant: **Kim Farington**, Fairfax Station, VA (US)

(72) Inventor: **Kim Farington**, Fairfax Station, VA (US)

(**) Term: **15 Years**

(21) Appl. No.: **29/674,959**

(22) Filed: **Dec. 27, 2018**

(51) **LOC (12) Cl.** **03-01**

(52) **U.S. Cl.**
USPC **D3/294; D14/480.3**

(58) **Field of Classification Search**
USPC D3/201, 208, 212, 271.1, 273, 294, 218, D3/215, 269, 270, 302; D9/711, 455,
(Continued)

(56) **References Cited**

U.S. PATENT DOCUMENTS

3,547,048 A 12/1970 Miller
D365,892 S * 1/1996 Markham D28/83
(Continued)

FOREIGN PATENT DOCUMENTS

GB 2492321 A 1/2013

OTHER PUBLICATIONS

Amazon, "Litop Pack of 10 White Protective Protection Case Box for USB . . .", First on sale Sep. 26, 2014. (<https://www.amazon.com/dp/B00NXSPD2Q/>) (Year: 2014).*

(Continued)

Primary Examiner — April Rivas

(74) *Attorney, Agent, or Firm* — Rothwell, Figg, Ernst & Manbeck, P.C.

(57) **CLAIM**

The ornamental design for a storage container with interior tether, as shown and described.

DESCRIPTION

FIG. 1 shows a top, front perspective view of the storage container with interior tether, with a lid closed and a tether inside the container with an item attached to the tether.

FIG. 2 shows a top, back perspective view thereof, with the lid closed and the tether inside the container with an item attached to the tether.

FIG. 3 shows a top plan view thereof, with the lid closed and the tether inside the container.

FIG. 4 shows a front elevation view thereof, with the lid closed and the tether inside the container with an item attached to the tether.

FIG. 5 shows a rear elevation view thereof, with the lid closed and the tether inside the container.

FIG. 6 shows a right side elevation view thereof, with the lid closed and the tether inside the container.

FIG. 7 shows a left side elevation view thereof, with the lid closed and the tether inside the container.

FIG. 8 shows a top plan view thereof, with the lid closed and the tether outside the container with an item attached to the tether.

FIG. 9 shows a top, front perspective view thereof, with the lid open and the tether outside the container with an item attached to the tether.

FIG. 10 shows a top plan view thereof, with the lid open and the tether outside the container with an item attached to the tether.

FIG. 11 shows a front elevation view thereof, with the lid open and the tether outside the container with an item attached to the tether.

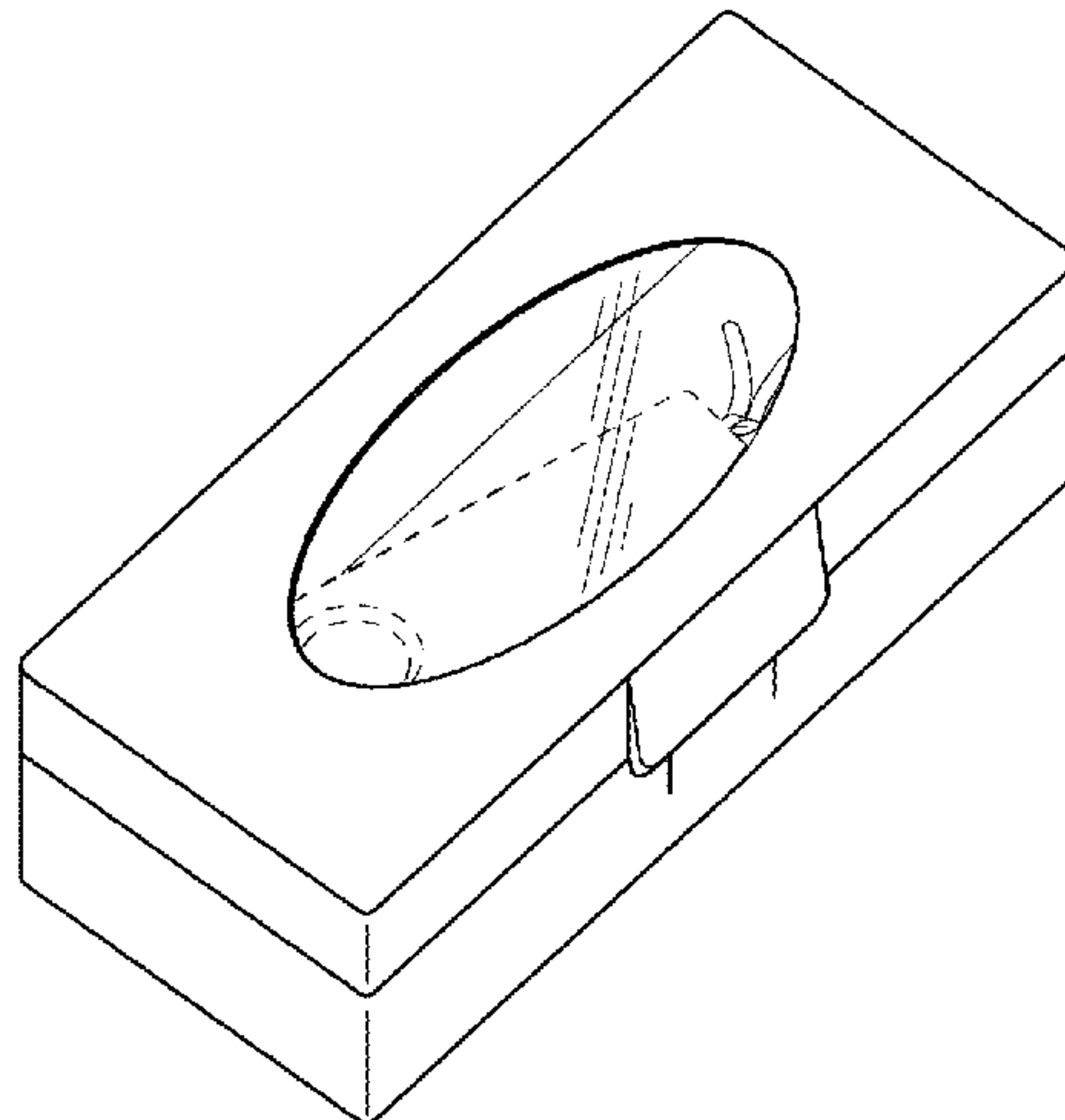
FIG. 12 shows a right side elevation view thereof, with the lid open and the tether inside the container.

FIG. 13 shows a left side elevation view thereof, with the lid open and the tether inside the container.

FIG. 14 shows a top plan view thereof, with the lid open and the tether inside the container with an item attached to the tether; and,

FIG. 15 shows a top, front perspective view thereof, with the lid open and the tether outside the container with an item

(Continued)



attached to the tether and with an interior label stored in the container extended from the interior of the container. The broken lines illustrate environment and form no part of the claimed design.

1 Claim, 7 Drawing Sheets

(58) **Field of Classification Search**

USPC D9/418, 432; D14/217, 221, 223, 496, D14/435.1, 480.3; D13/118
CPC A45C 13/002; A45C 2011/001; H04R 1/1025; G06F 1/181

See application file for complete search history.

(56)

References Cited

U.S. PATENT DOCUMENTS

D397,869 S * 9/1998 Minhas D3/274
D431,359 S * 10/2000 Lapidus D3/273
D446,717 S * 8/2001 Lancaster D9/418
D447,334 S * 9/2001 Williams D3/215
D540,539 S * 4/2007 Gutierrez D14/484.1
7,774,969 B1 8/2010 Silverman
7,857,659 B2 12/2010 Wang et al.
D633,507 S * 3/2011 Nelson D14/484.1
8,351,195 B2 1/2013 Huang
D676,239 S * 2/2013 Benoit D3/294

D691,036 S * 10/2013 Sill D9/418
D706,129 S * 6/2014 Boraczek D9/418
D724,601 S * 3/2015 Hsieh D14/480.3
D795,874 S * 8/2017 Szeremeta D14/432
2003/0080922 A1 5/2003 Oross et al.
2004/0108710 A1 6/2004 Hengsbach
2005/0227635 A1 10/2005 Hawkins et al.
2009/0124104 A1 5/2009 Zhu et al.
2010/0122923 A1 5/2010 Chin
2010/0164836 A1 7/2010 Liberatore
2011/0072700 A1 3/2011 Theresa et al.
2012/0268064 A1 10/2012 Ostrom et al.
2014/0062390 A1 3/2014 Webber
2014/0238878 A1 8/2014 Henwood
2015/0097008 A1 4/2015 Adeyemi
2017/0262027 A1 9/2017 Farington

OTHER PUBLICATIONS

B & H Photo Video, "Abundant Supply Company Unidentified Flashdrive Organizer Case (Clear)", Accessed Sep. 9, 2019. (https://www.bhphotovideo.com/c/product/1362793-REG/abundant_supply_company_01clb_single_flash_drive_case.html) (Year: 2019).
Aliexpress, "5 Pieces New Rectangular USB Packaging . . .", Accessed Sep. 9, 2019. (<https://www.aliexpress.com/item/1280628871.html>) (Year: 2019).
Non-Final Office Action dated Dec. 11, 2019 issued in reieted U.S. Appl. No. 15/066,035, (25 pages).

* cited by examiner

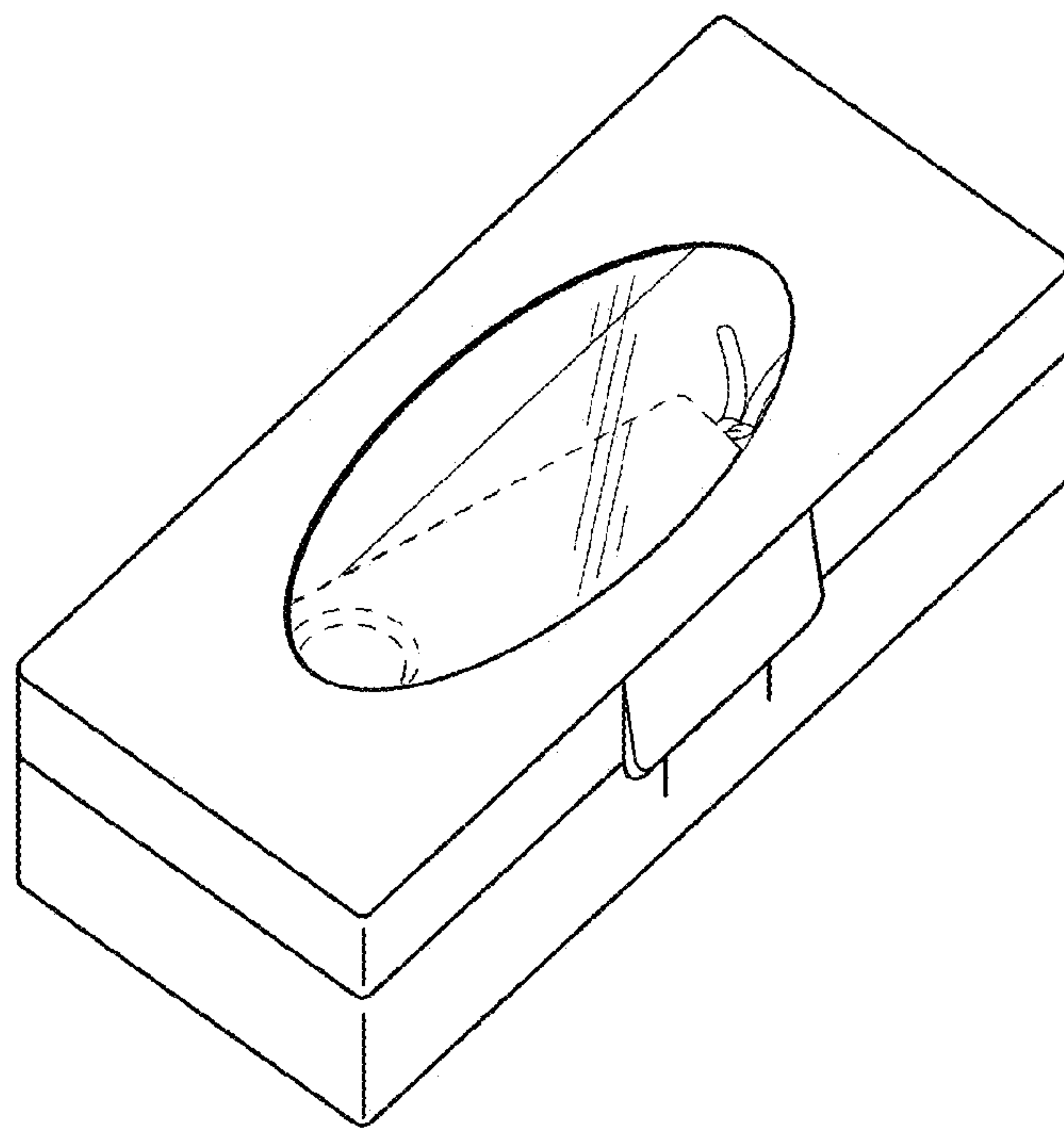


FIG. 1

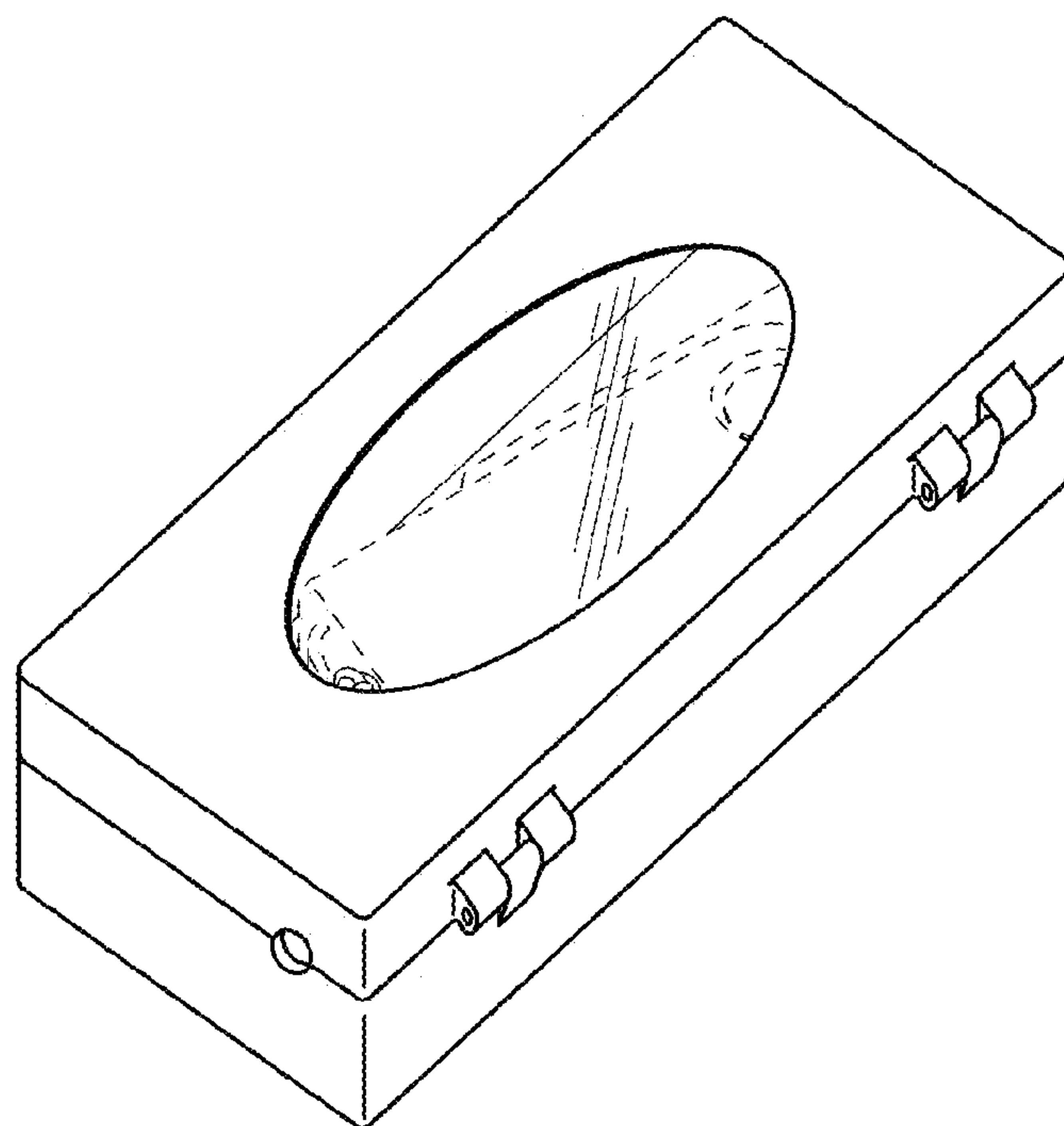


FIG. 2

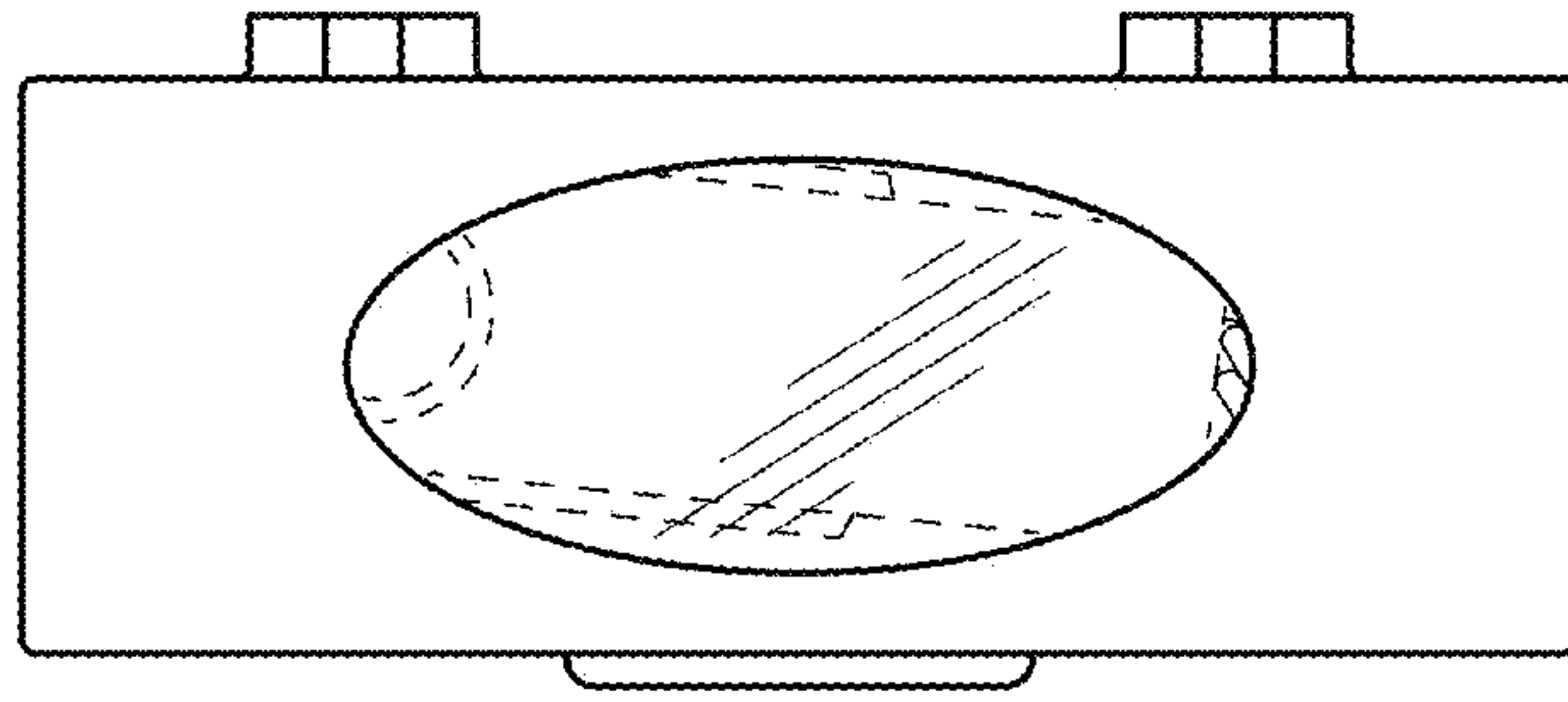


FIG. 3

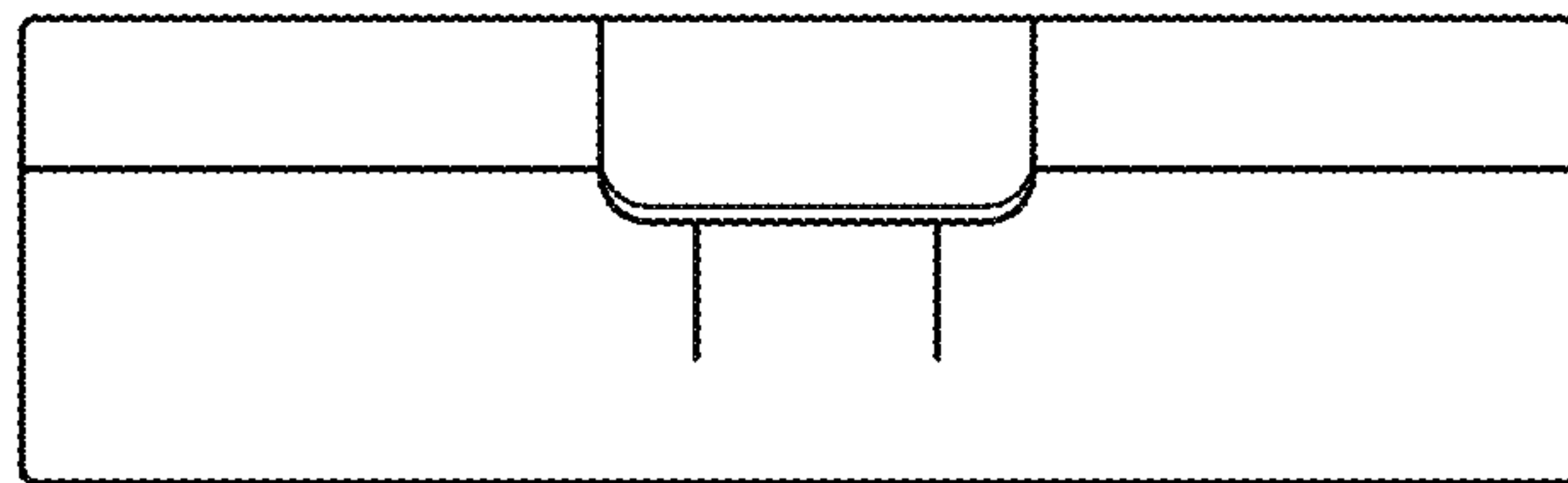


FIG. 4

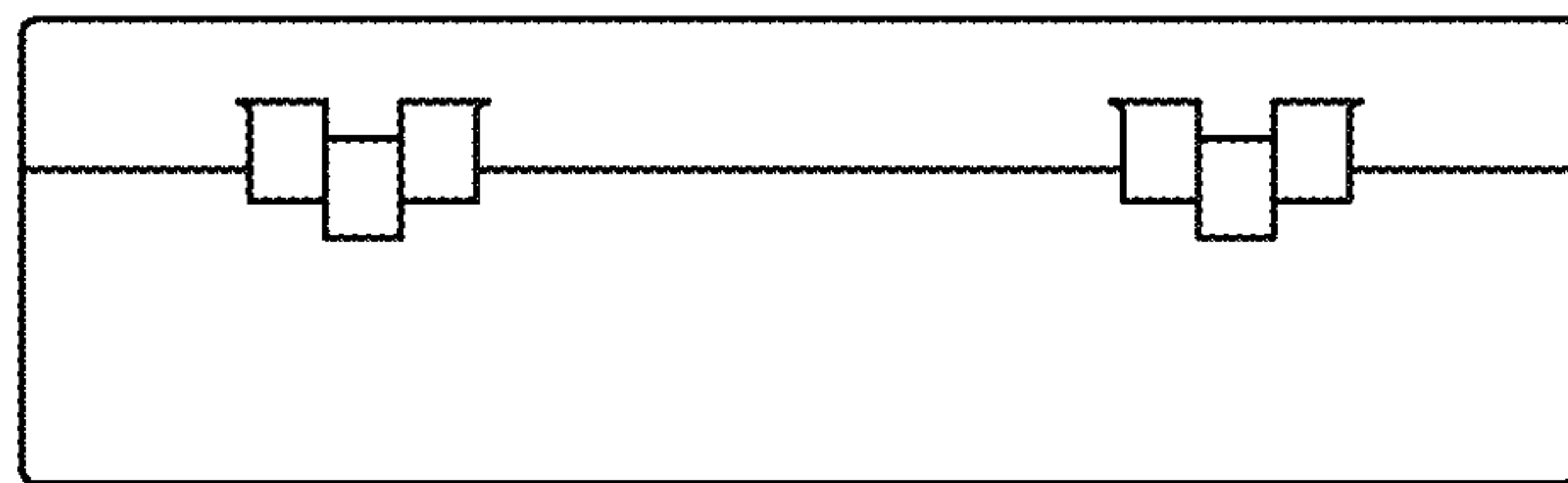


FIG. 5

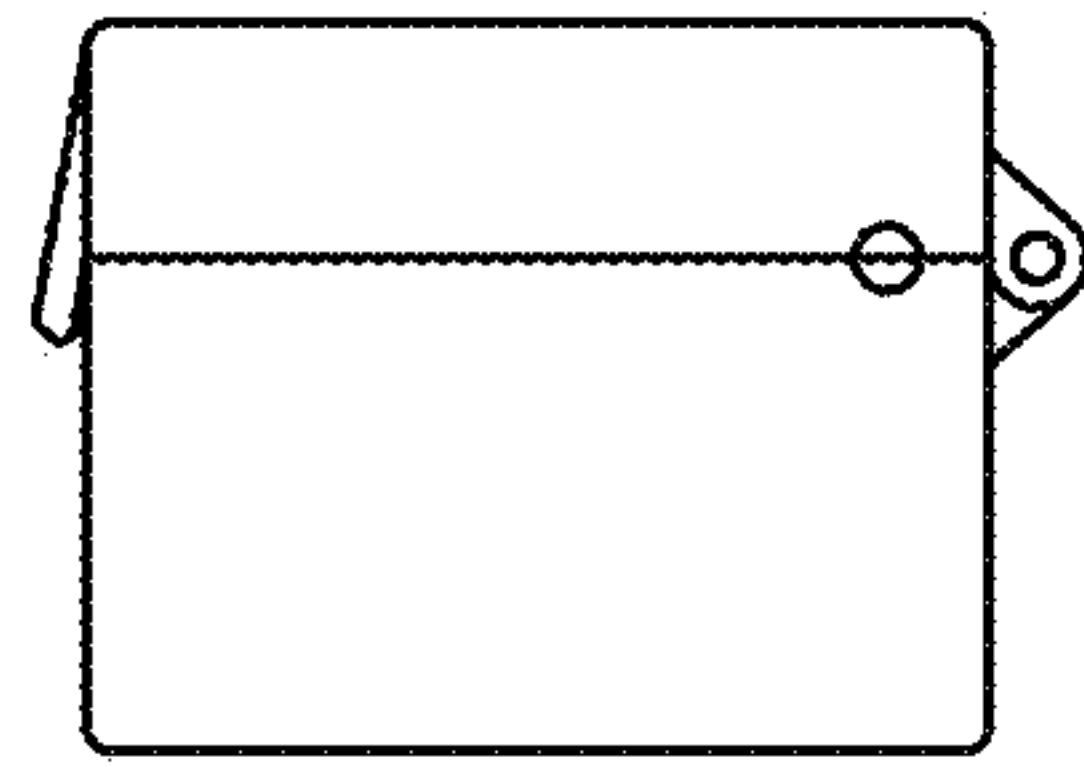


FIG. 6

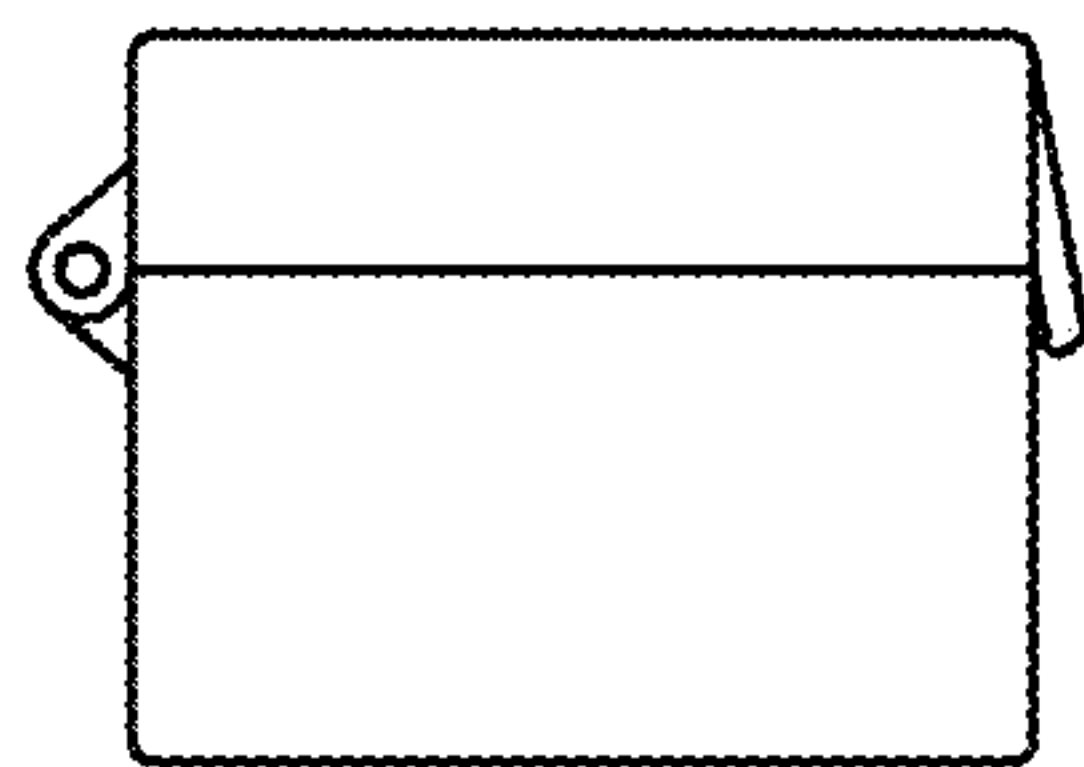


FIG. 7

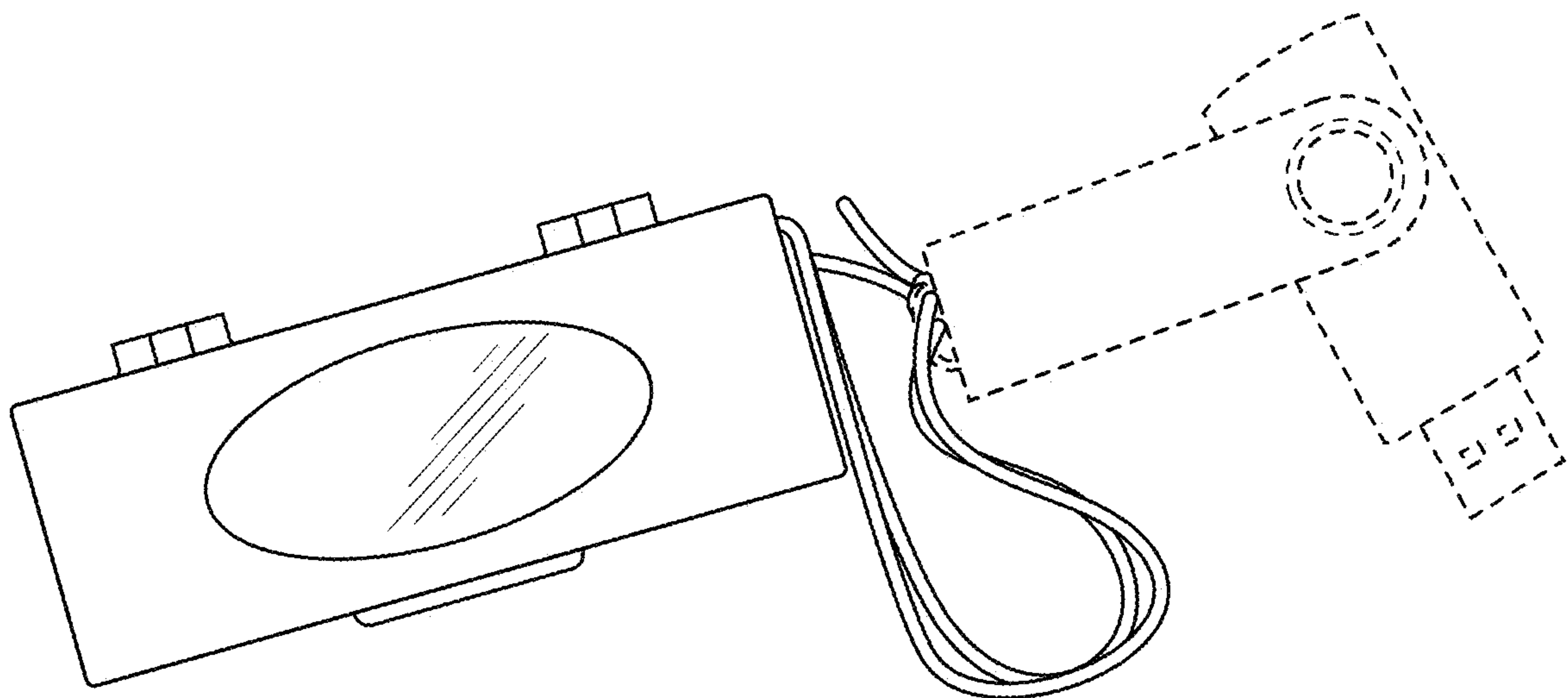


FIG. 8

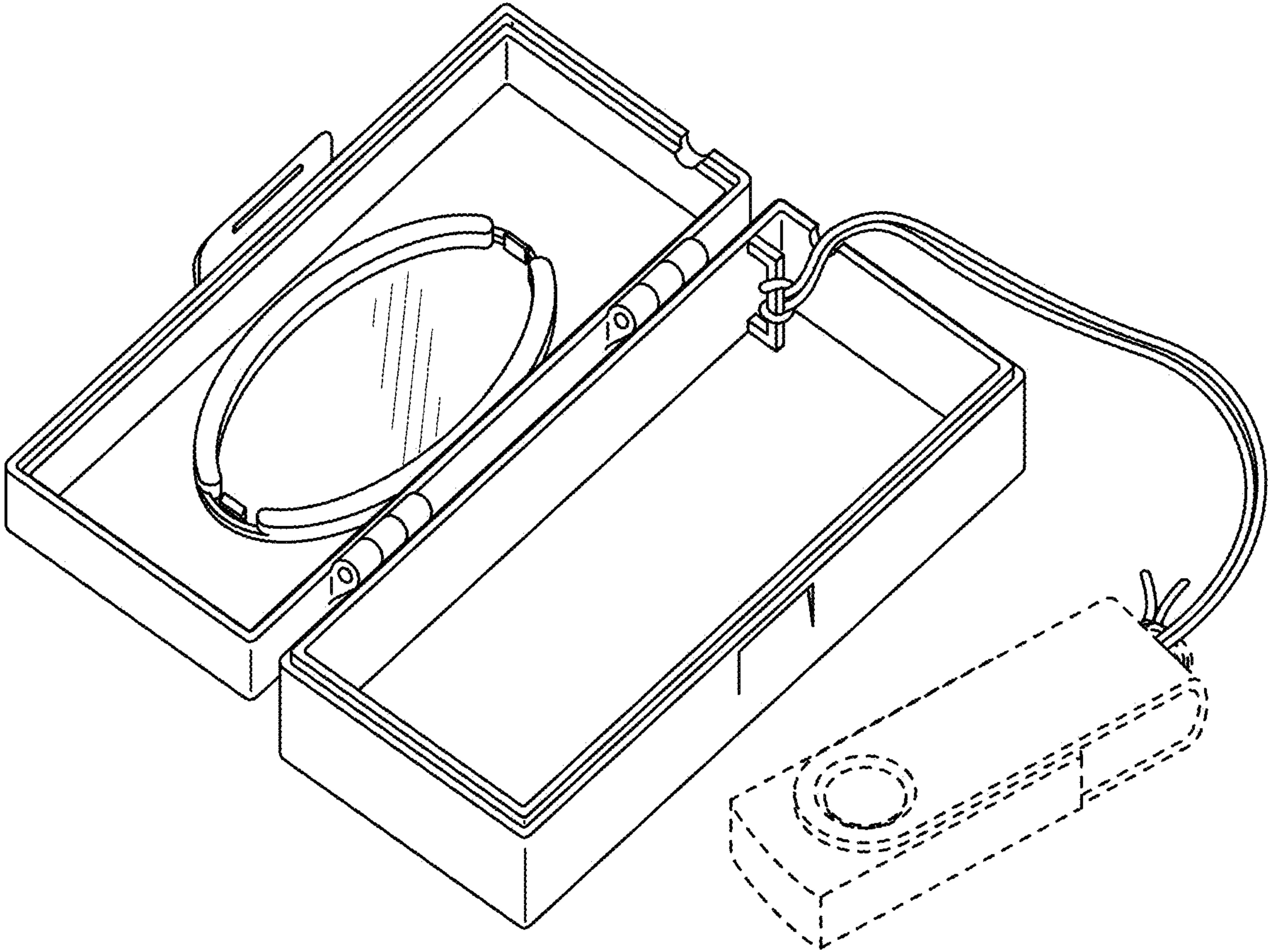


FIG. 9

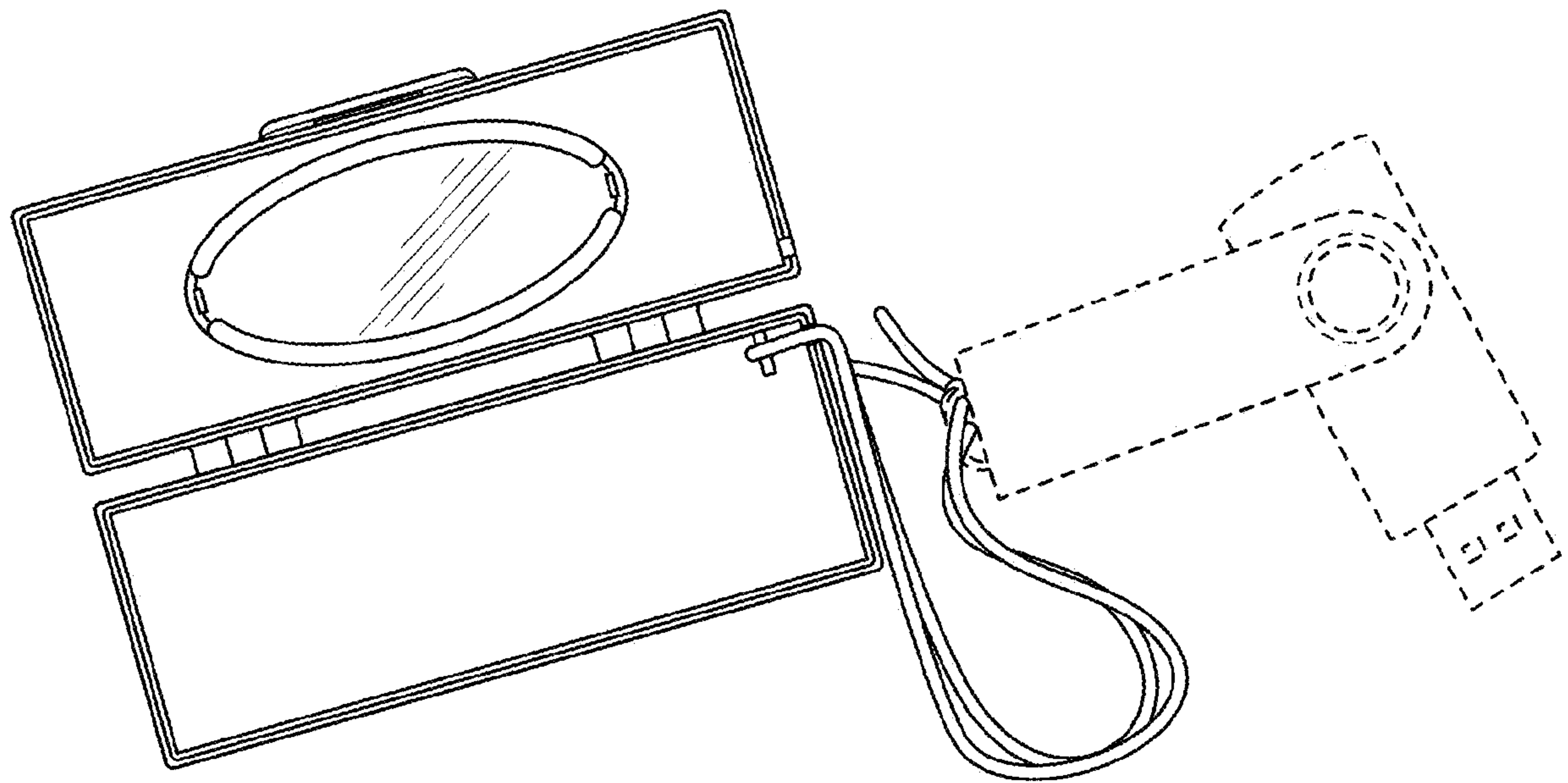


FIG. 10

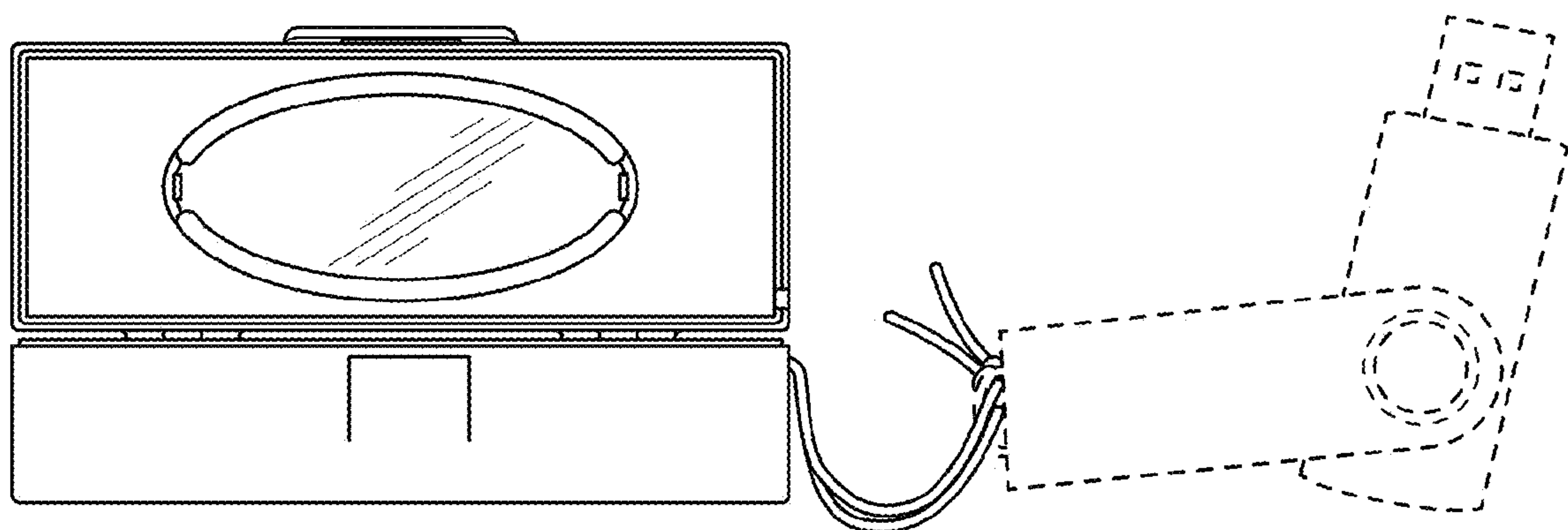


FIG. 11

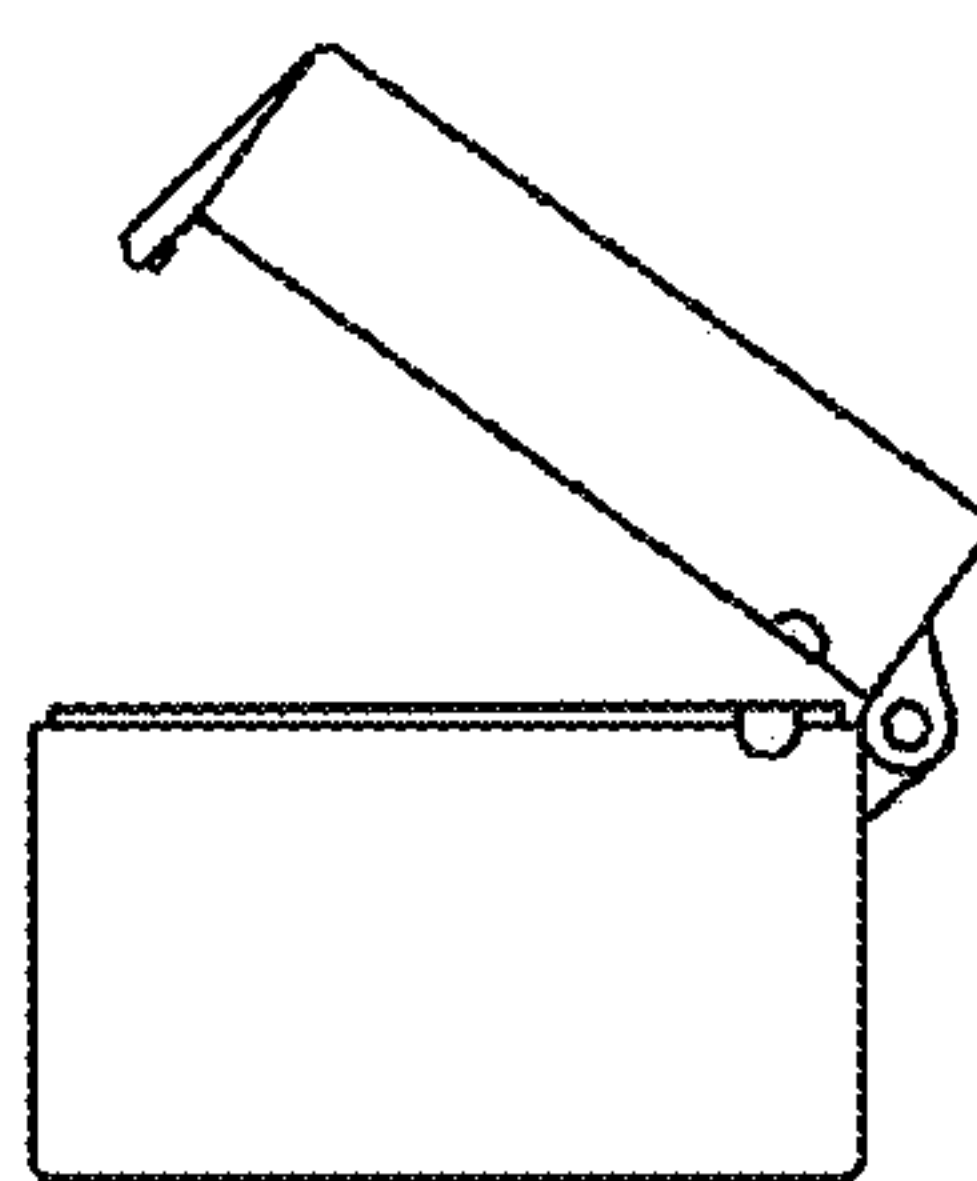


FIG. 12

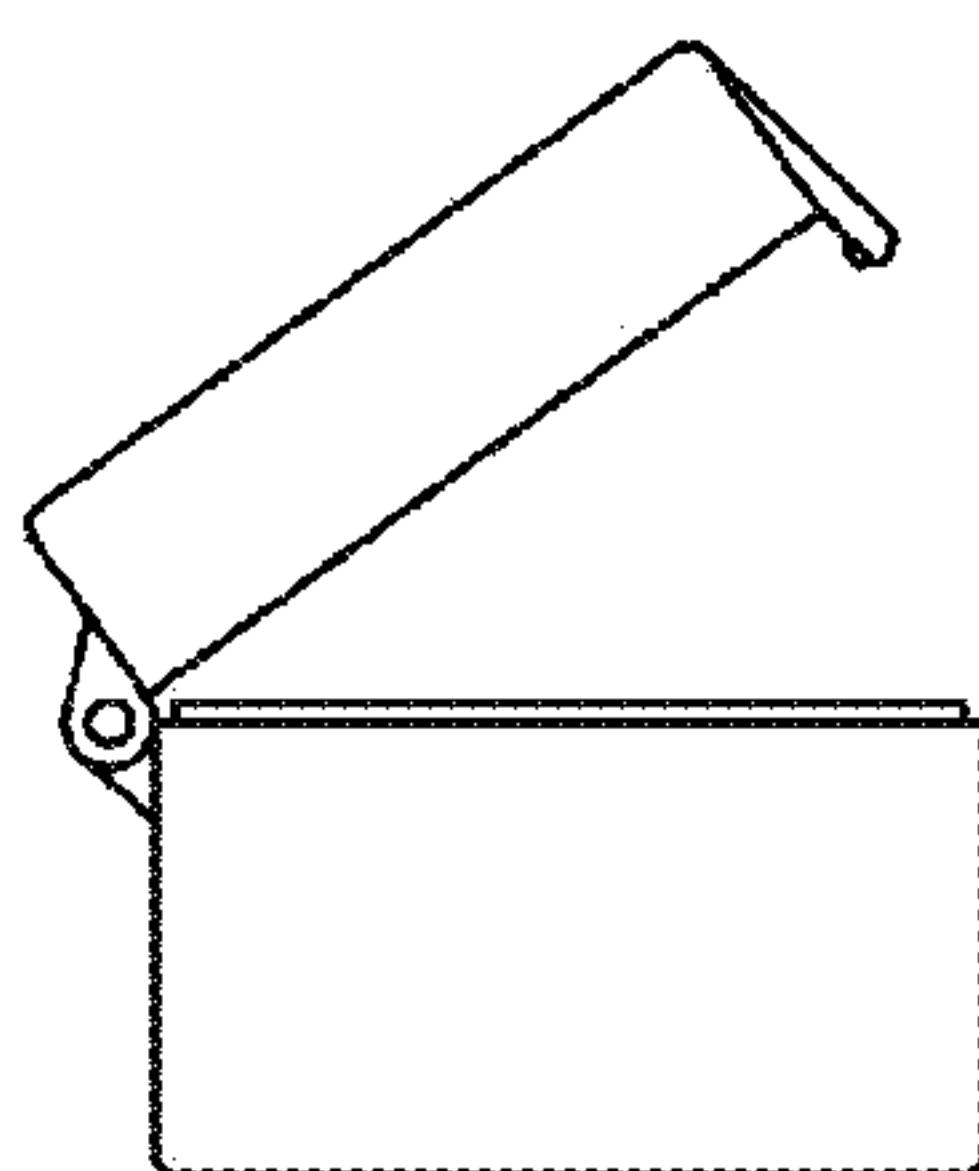


FIG. 13

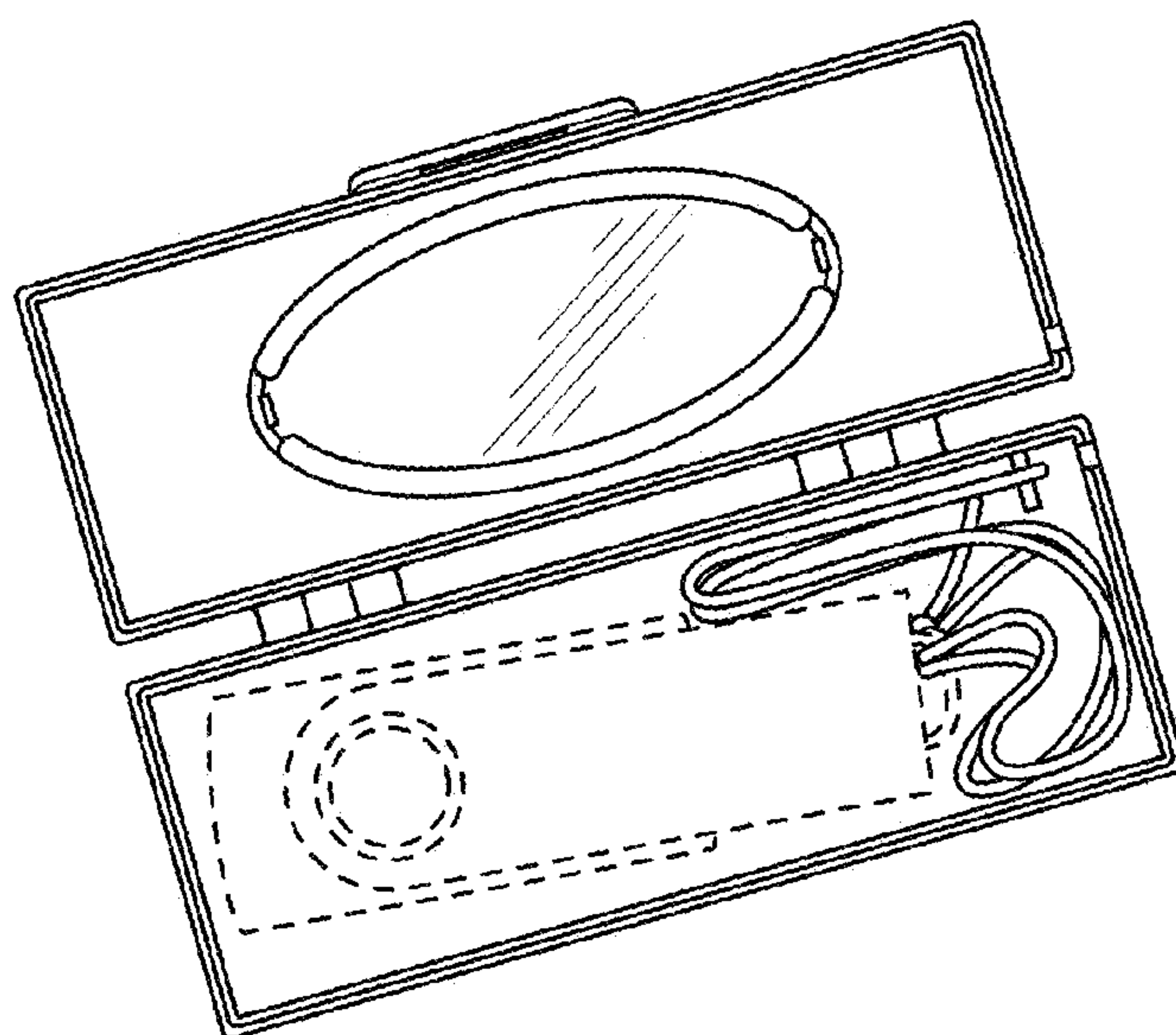


FIG. 14

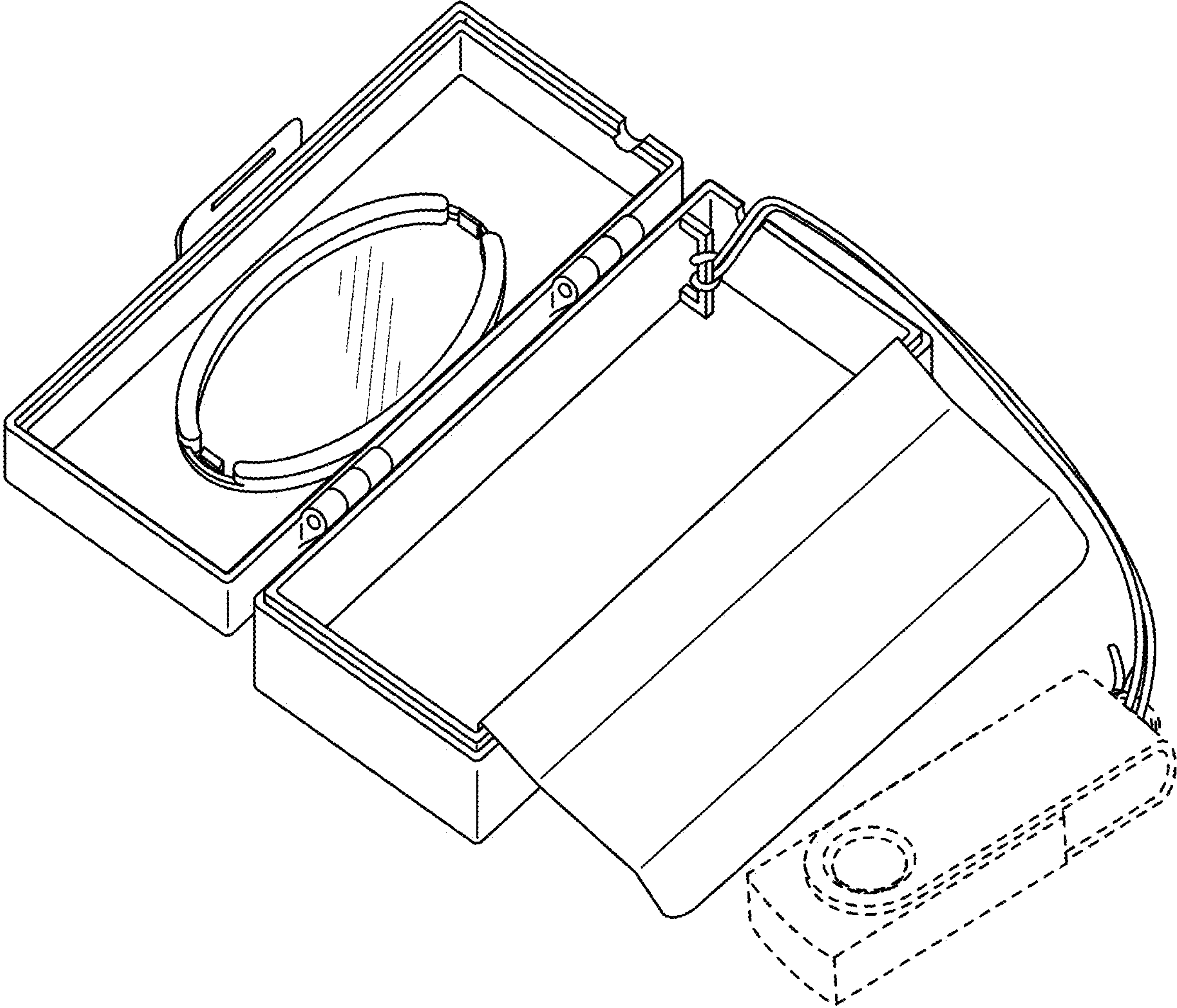


FIG. 15