



US00D880155S

(12) **United States Design Patent**  
**Feng**

(10) **Patent No.:** **US D880,155 S**

(45) **Date of Patent:** **\*\* Apr. 7, 2020**

- (54) **TOOLBOX**
- (71) Applicant: **Enping YiFeng Plastic & Mould Co., Ltd., Jiangmen (CN)**
- (72) Inventor: **Ruining Feng, Jiangmen (CN)**
- (73) Assignee: **Enping YiFeng Plastic & Mould Co., Ltd., Jiangmen, Guangdong Province (CN)**

D757,435 S *	5/2016	Damberg	.....	B25H 3/021
				D3/284
D792,708 S *	7/2017	Tazawa	.....	D3/276
D810,432 S *	2/2018	Ballou	.....	D3/276
D811,084 S *	2/2018	Ballou	.....	D3/276
D811,742 S *	3/2018	Ballou	.....	D3/276
D811,744 S *	3/2018	Ballou	.....	D3/279
D815,831 S *	4/2018	Tonelli	.....	D3/279
D819,331 S *	6/2018	Ballou	.....	D3/276
D849,402 S *	5/2019	Tonelli	.....	D3/276
2006/0170558 A1 *	8/2006	Tonelli	.....	A45C 13/42
				340/572.8

(\*\*) Term: **15 Years**

(21) Appl. No.: **29/671,269**

(22) Filed: **Nov. 26, 2018**

(30) **Foreign Application Priority Data**

Sep. 21, 2018 (CN) ..... 2018 3 0533057

(51) **LOC (12) Cl.** ..... **03-01**

(52) **U.S. Cl.**  
USPC ..... **D3/276; D3/905; D3/294**

(58) **Field of Classification Search**  
USPC ..... D3/273, 274, 276, 279, 281, 282, 291,  
D3/294, 298, 905, 302, 272, 289  
CPC ..... B65D 21/0233; B65D 21/0222; B25H  
3/003; B25H 3/006; B25H 3/02; B25H  
3/023; H02G 3/10; H02G 3/12  
See application file for complete search history.

(56) **References Cited**

**U.S. PATENT DOCUMENTS**

D439,407 S *	3/2001	Parker	.....	D3/276
D462,519 S *	9/2002	Gaydos	.....	D3/276
D467,426 S *	12/2002	Hardigg	.....	D3/276
D579,202 S *	10/2008	Grenier	.....	D3/294
D711,105 S *	8/2014	Brunner	.....	D3/281
D742,640 S *	11/2015	Sabbag	.....	D3/281

**OTHER PUBLICATIONS**

Niuxcases, "Small Carrying Case YF-2620", cached from Sep. 2, 2018. (<https://web.archive.org/web/20180902184049/http://www.niuxcases.com/yf-2620-00133p1.html>) (Year: 2018).\*

(Continued)

*Primary Examiner* — April Rivas

(74) *Attorney, Agent, or Firm* — Inskeep IP Group, Inc.

(57) **CLAIM**

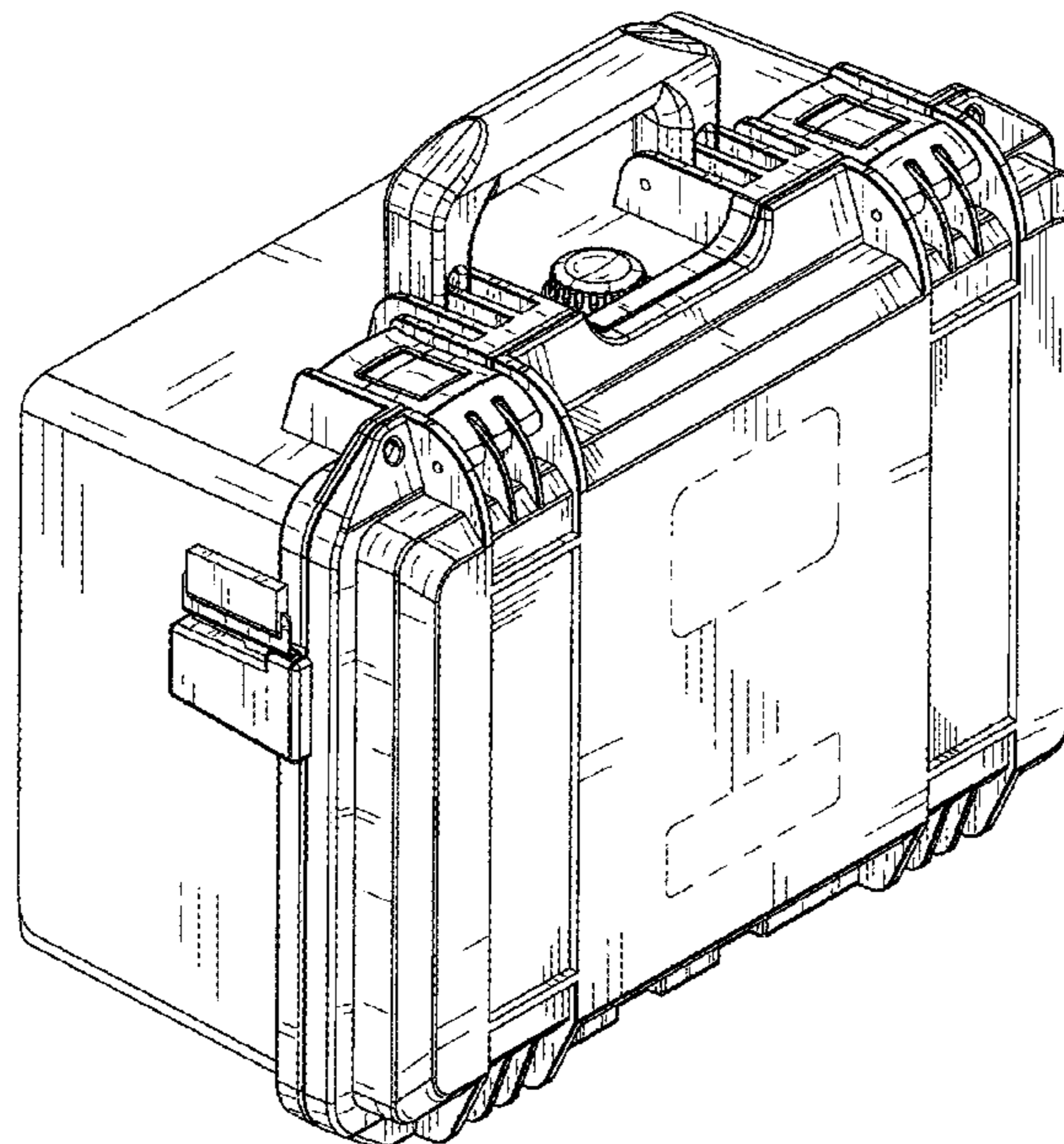
I claim the ornamental design for a toolbox, as shown and described.

**DESCRIPTION**

FIG. 1 is a front view of a toolbox showing my new design; FIG. 2 is a rear view thereof; FIG. 3 is a left-side view thereof; FIG. 4 is a right-side view thereof; FIG. 5 is a top view thereof; FIG. 6 is a bottom view thereof; FIG. 7 is a front perspective view thereof; and, FIG. 8 is a rear perspective view thereof.

The broken lines shown in the drawings are for the purpose of illustrating portions of the toolbox that form no part of the claimed design.

**1 Claim, 8 Drawing Sheets**



(56)

**References Cited**

OTHER PUBLICATIONS

Amazon, "Pelican 1150 Camera Case With Foam (Black)", First on sale Sep. 27, 2017. (<https://www.amazon.com/Pelican-1150-Camera-Case-Black/dp/B000N9PQEI/>) (Year: 2017).\*

\* cited by examiner

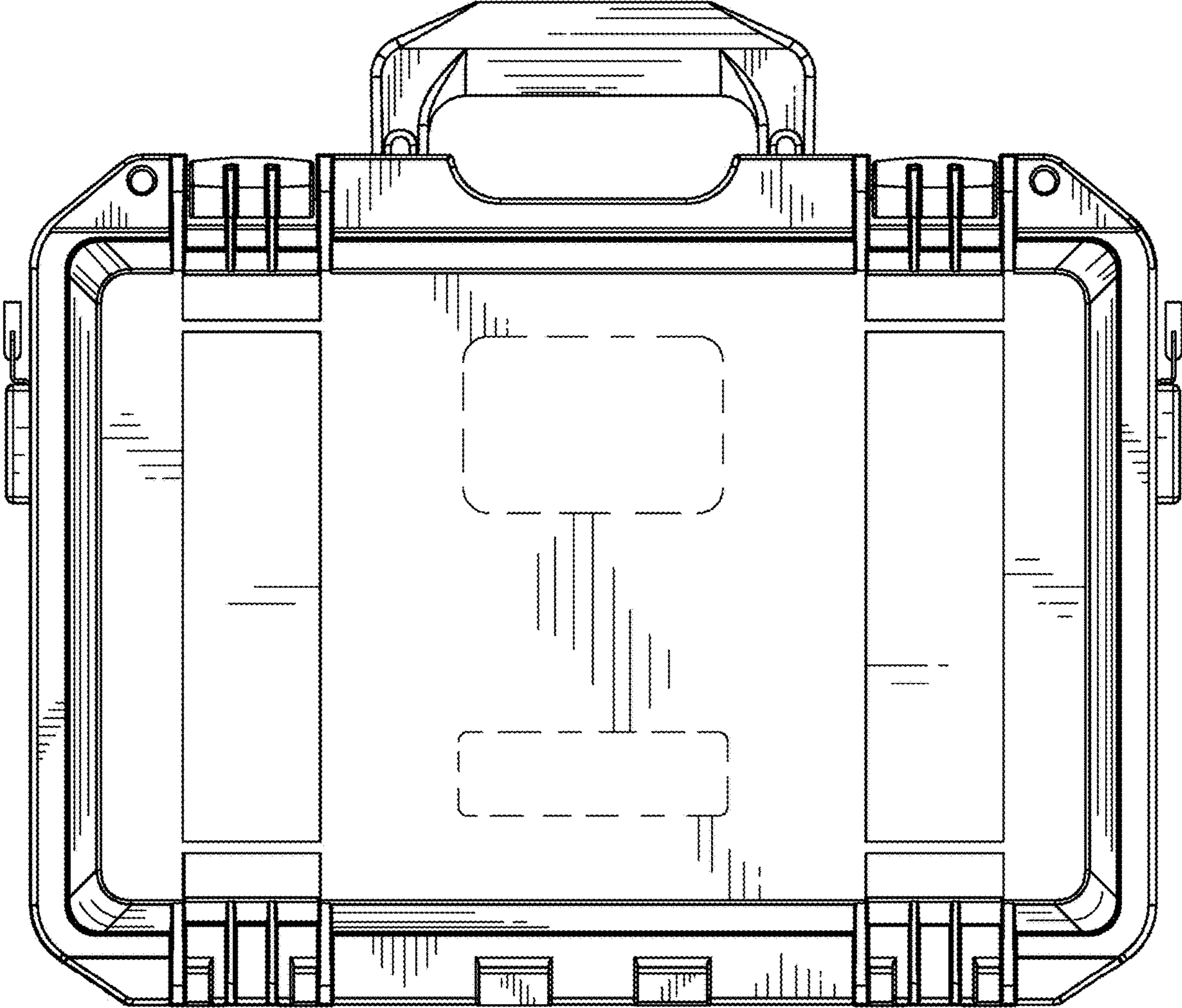


FIG. 1

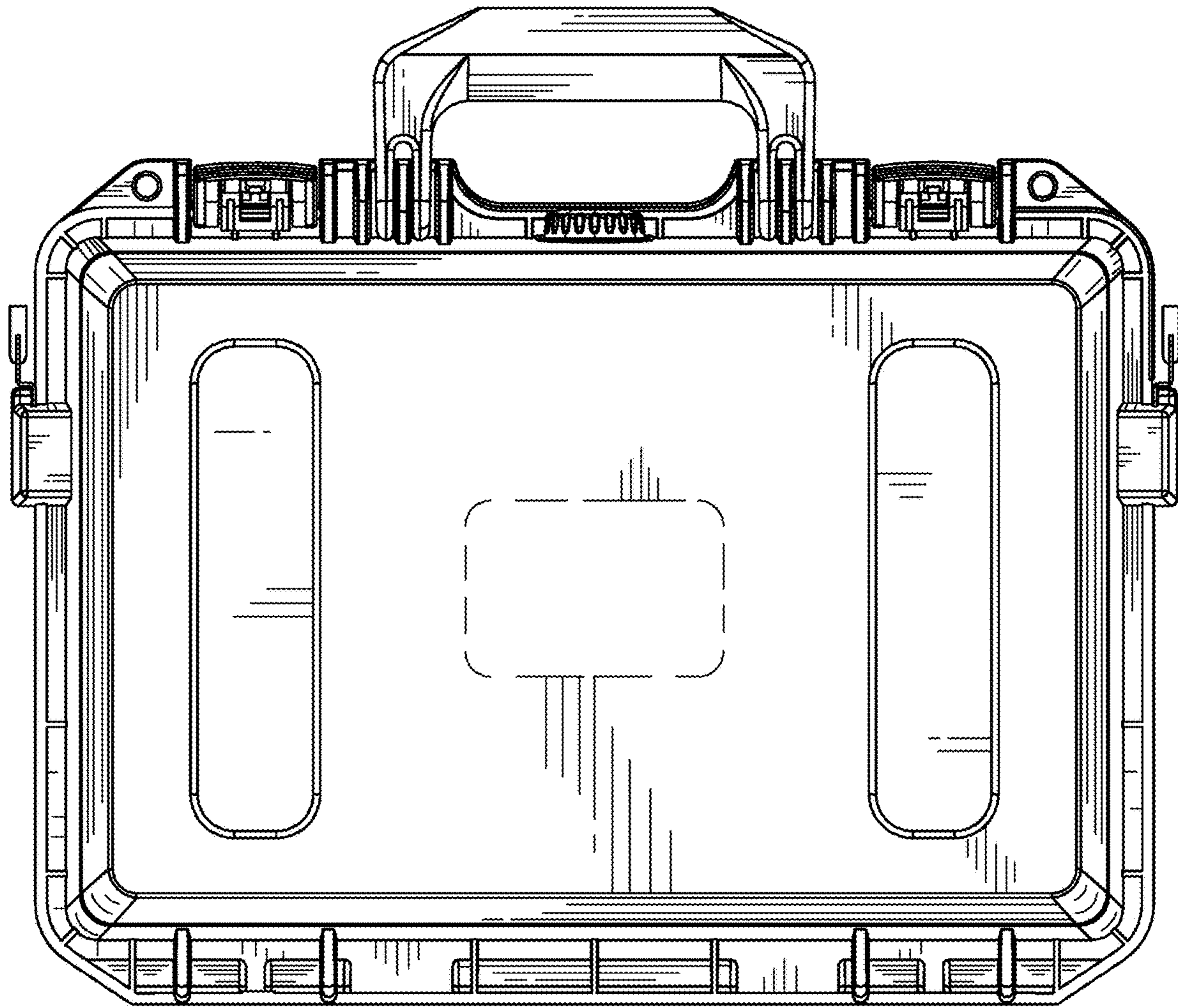


FIG. 2

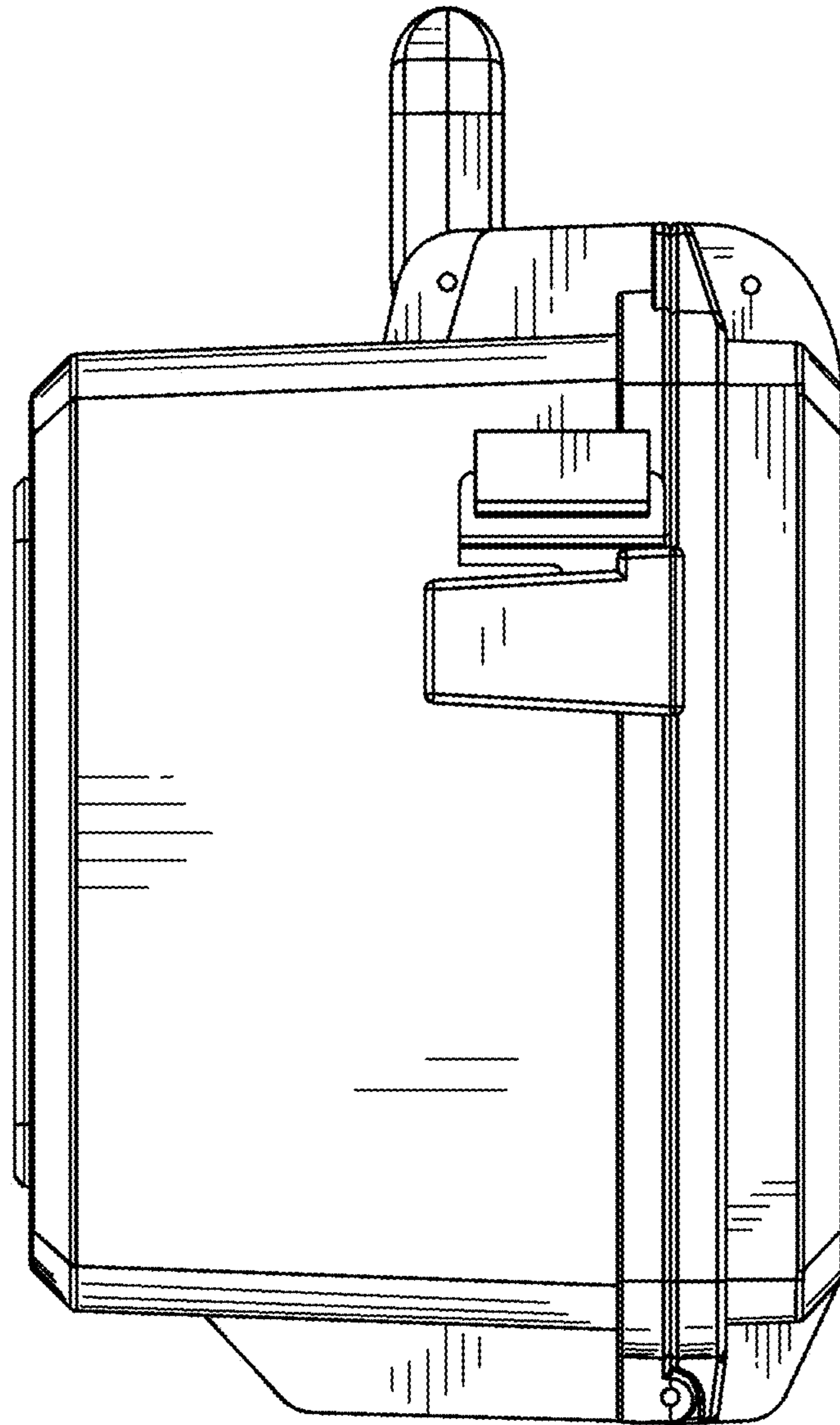


FIG. 3

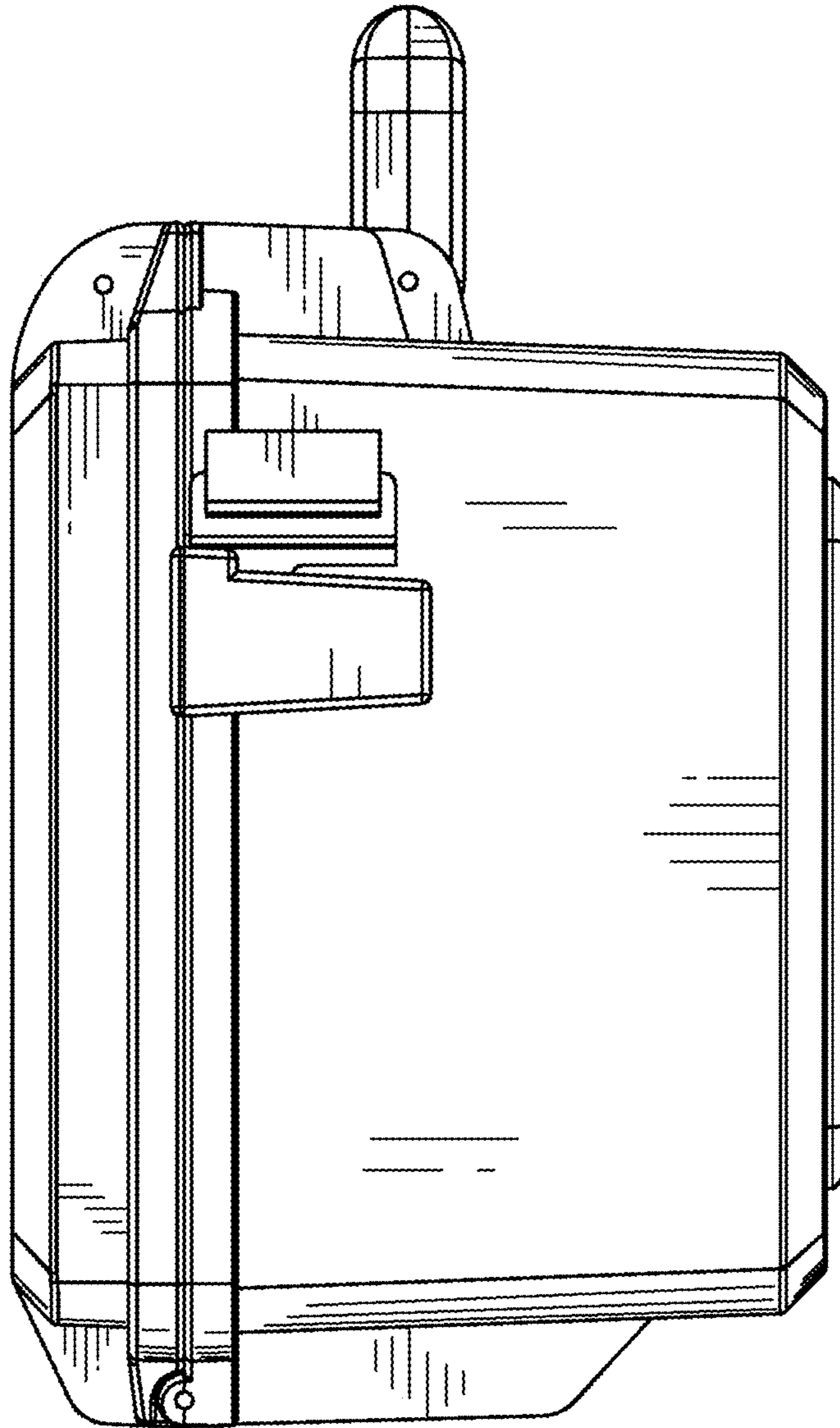


FIG. 4

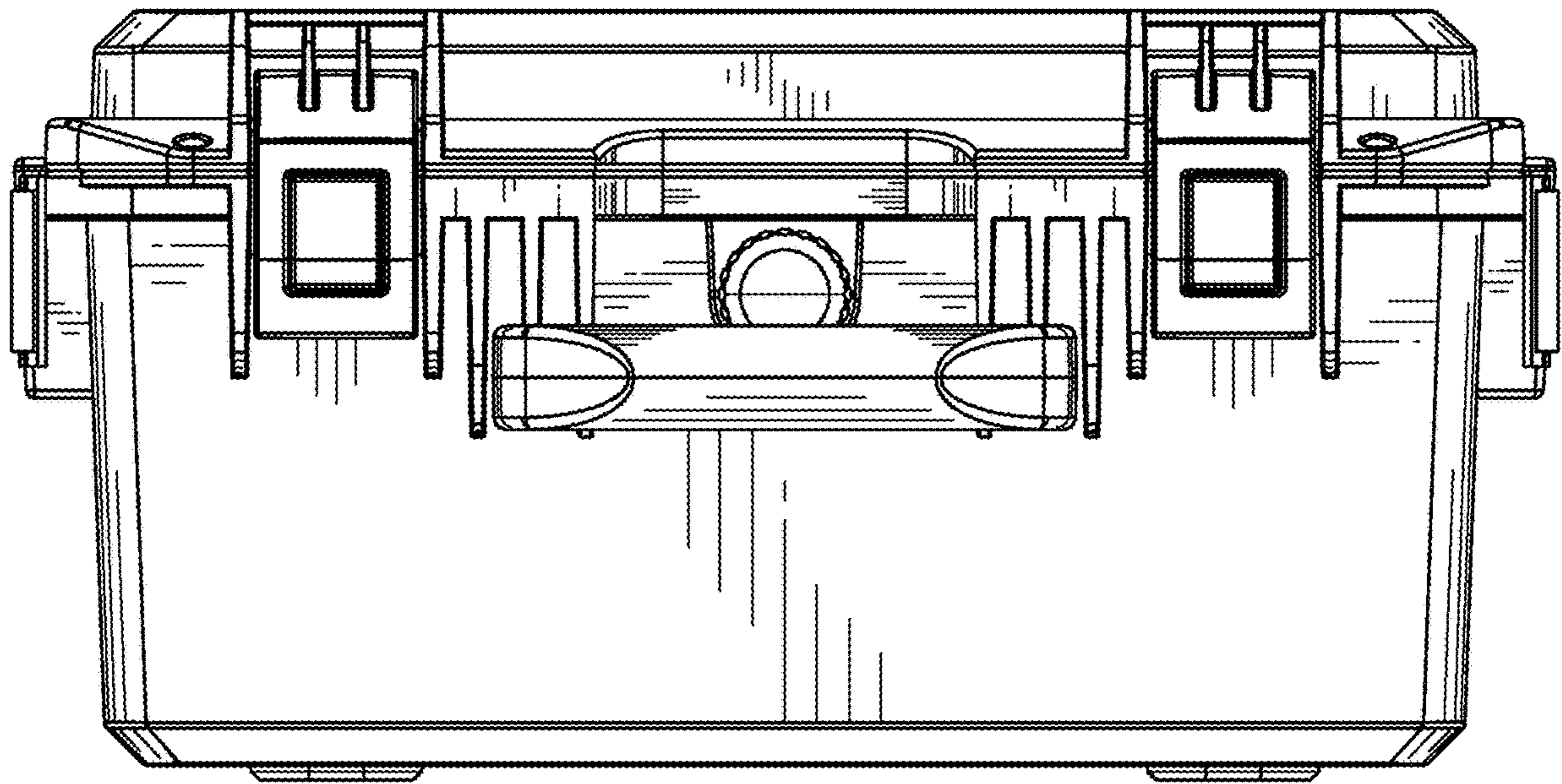


FIG. 5

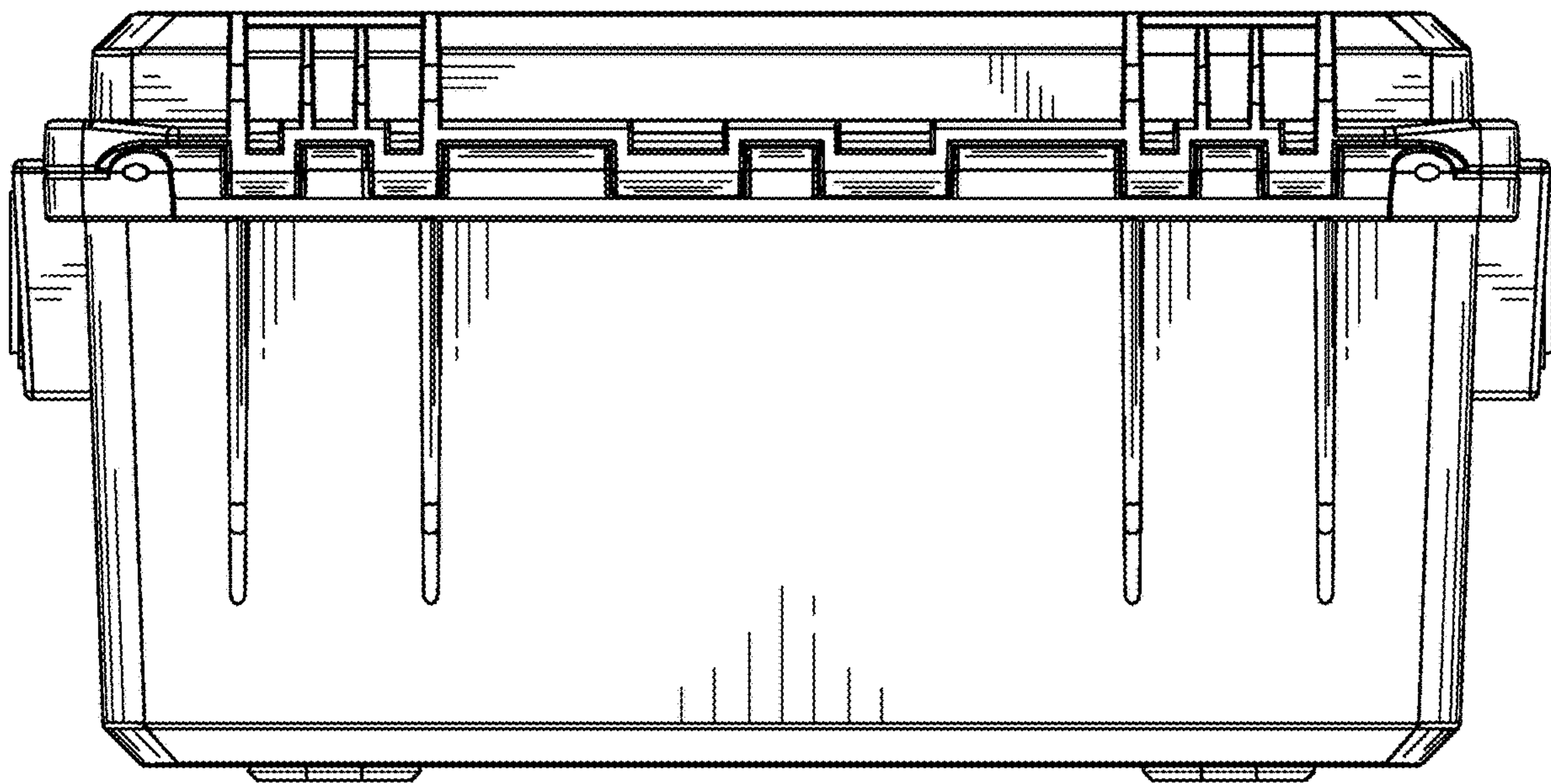


FIG. 6



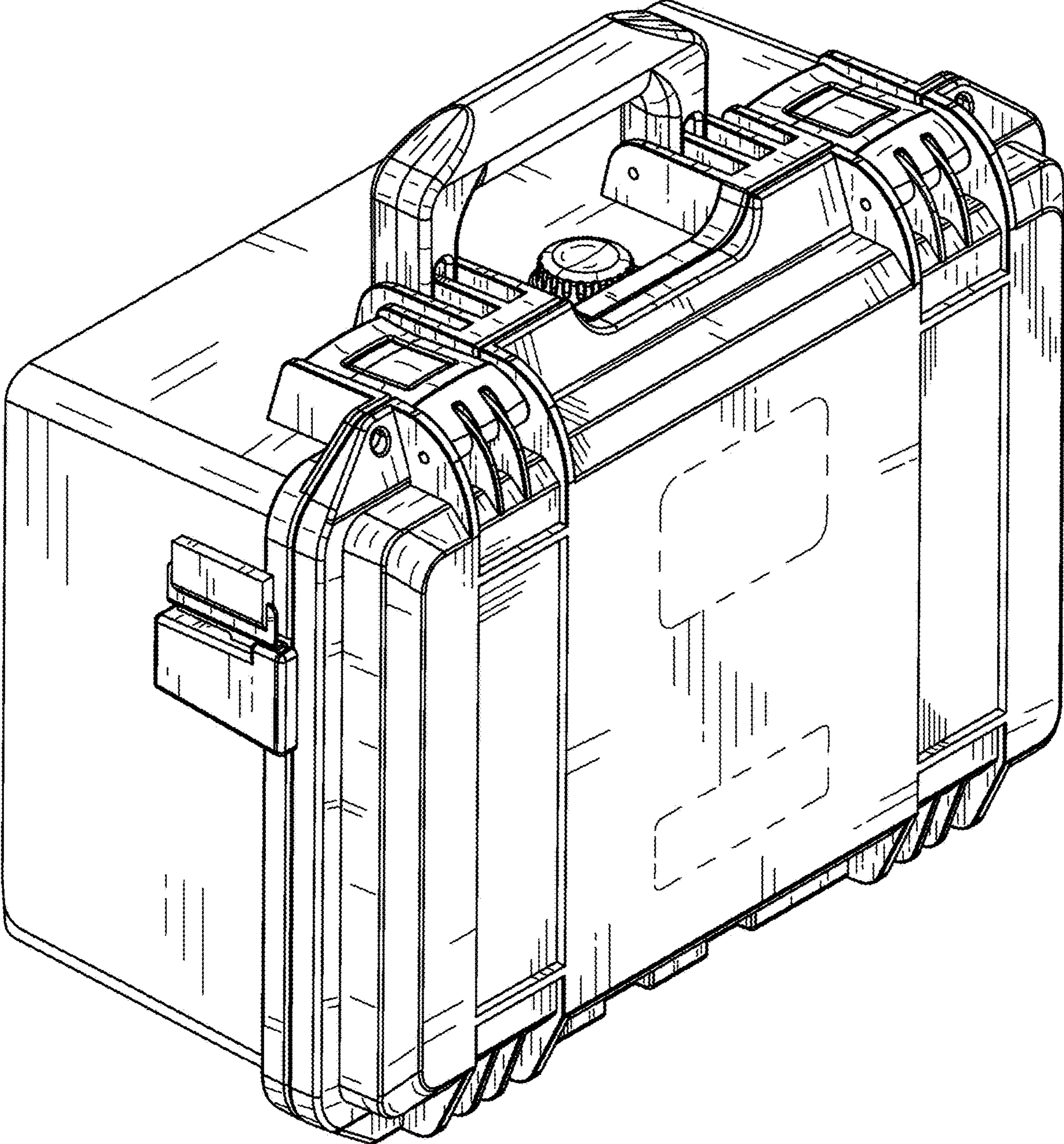


FIG. 7

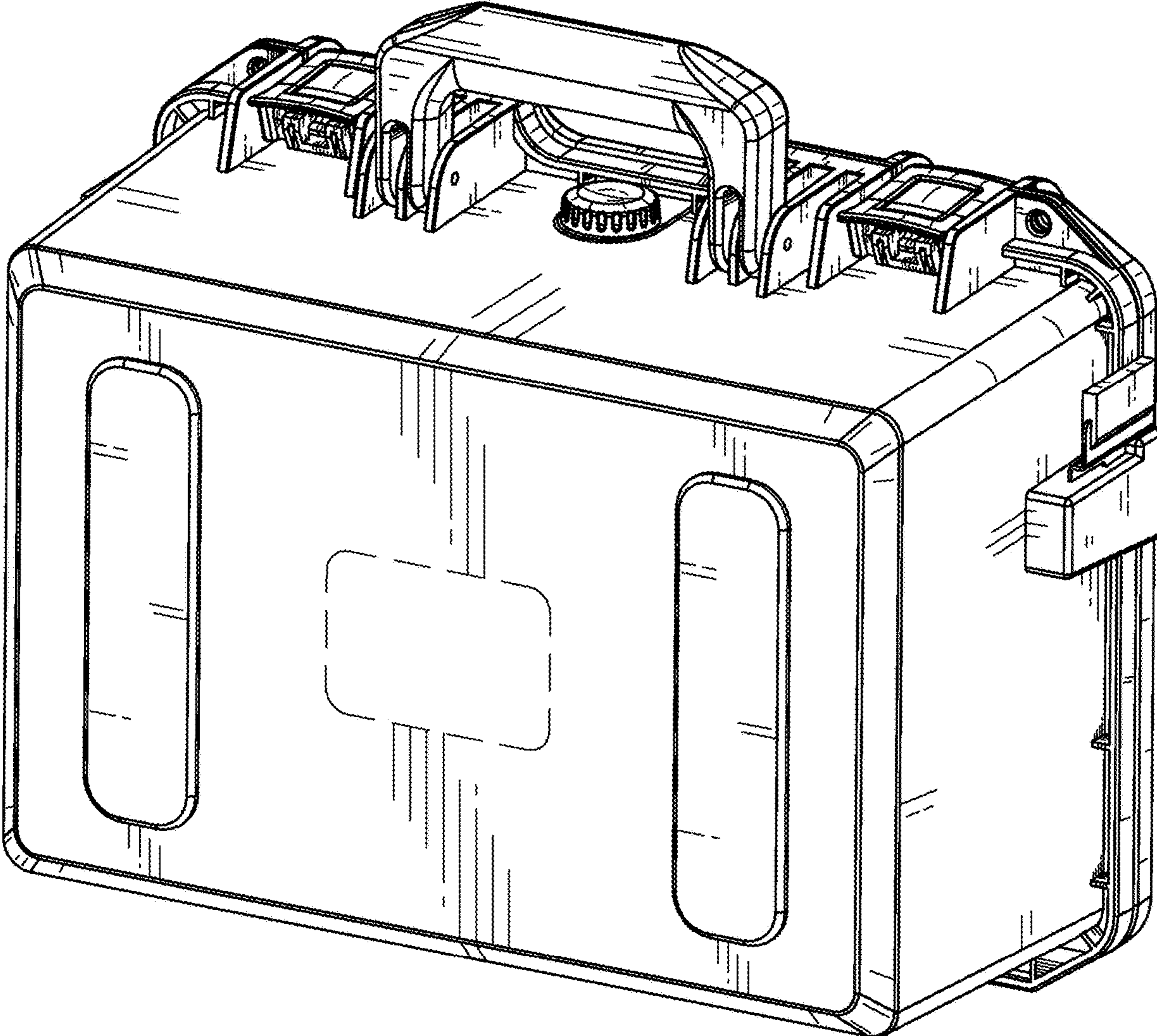


FIG.8