



US00D880153S

(12) **United States Design Patent** (10) **Patent No.:** **US D880,153 S**
Marx (45) **Date of Patent:** **** Apr. 7, 2020**

(54) **DEMONSTRATION TOOL**
(71) Applicant: **Carl Zeiss Vision International GmbH, Aalen (DE)**
(72) Inventor: **Matthias Marx, Gschwend (DE)**
(73) Assignee: **Carl Zeiss Vision International GmbH, Aalen (DE)**

D328,765 S * 8/1992 Strom, Jr. D21/304
D358,408 S * 5/1995 McGarry D14/374
D474,596 S * 5/2003 Osiecki D3/273
D525,429 S * 7/2006 Lalwani D3/271.1
D619,089 S * 7/2010 Chen D13/102
D657,560 S * 4/2012 Schulz D19/88
D839,583 S * 2/2019 Cao D3/201
D859,519 S * 9/2019 Ye D19/62
D870,451 S * 12/2019 Birger D3/201

(**) Term: **15 Years**
(21) Appl. No.: **29/655,958**
(22) Filed: **Jul. 9, 2018**

FOREIGN PATENT DOCUMENTS

JP 2002204881 A * 7/2002
JP 2004016660 A * 1/2004

(30) **Foreign Application Priority Data**
Jan. 10, 2018 (EM) 004661445-0002
Jan. 10, 2018 (EM) 004661445-0004
(51) **LOC (12) Cl.** **03-01**
(52) **U.S. Cl.**
USPC **D3/274**
(58) **Field of Classification Search**
USPC D3/201, 207, 208, 215, 226, 228, 229,
D3/230, 269, 273, 274, 290, 299, 303,
D3/316, 318
CPC B65D 83/384; F41H 9/10
See application file for complete search history.

* cited by examiner

Primary Examiner — Holly E Thurman
(74) *Attorney, Agent, or Firm* — Thrive IP®; Georg M. Hasselmann

(57) **CLAIM**

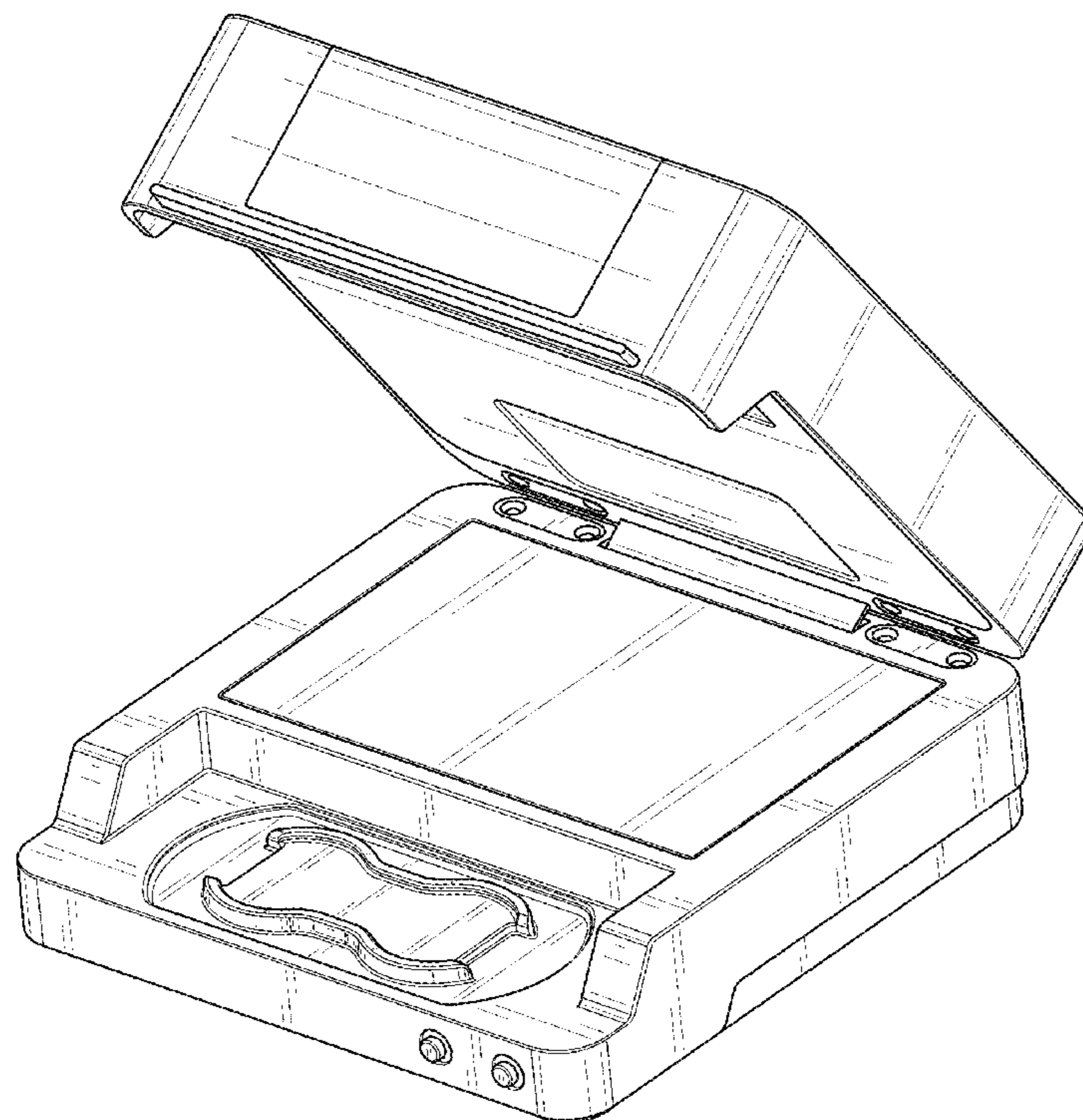
The ornamental design for a demonstration tool, as shown and described.

DESCRIPTION

FIG. 1 is a left right side elevational view of a demonstration tool, wherein the demonstration tool's cover is in an open position;
FIG. 2 is a front view thereof;
FIG. 3 is a rear view thereof;
FIG. 4 is a left side view thereof;
FIG. 5 is a right side view thereof;
FIG. 6 is a top plan view thereof;
FIG. 7 is a bottom view thereof; and,
FIG. 8 is a front perspective view thereof.

(56) **References Cited**
U.S. PATENT DOCUMENTS
D130,399 S * 11/1941 Volf D3/274
D255,038 S * 5/1980 Itakura D21/385

1 Claim, 8 Drawing Sheets



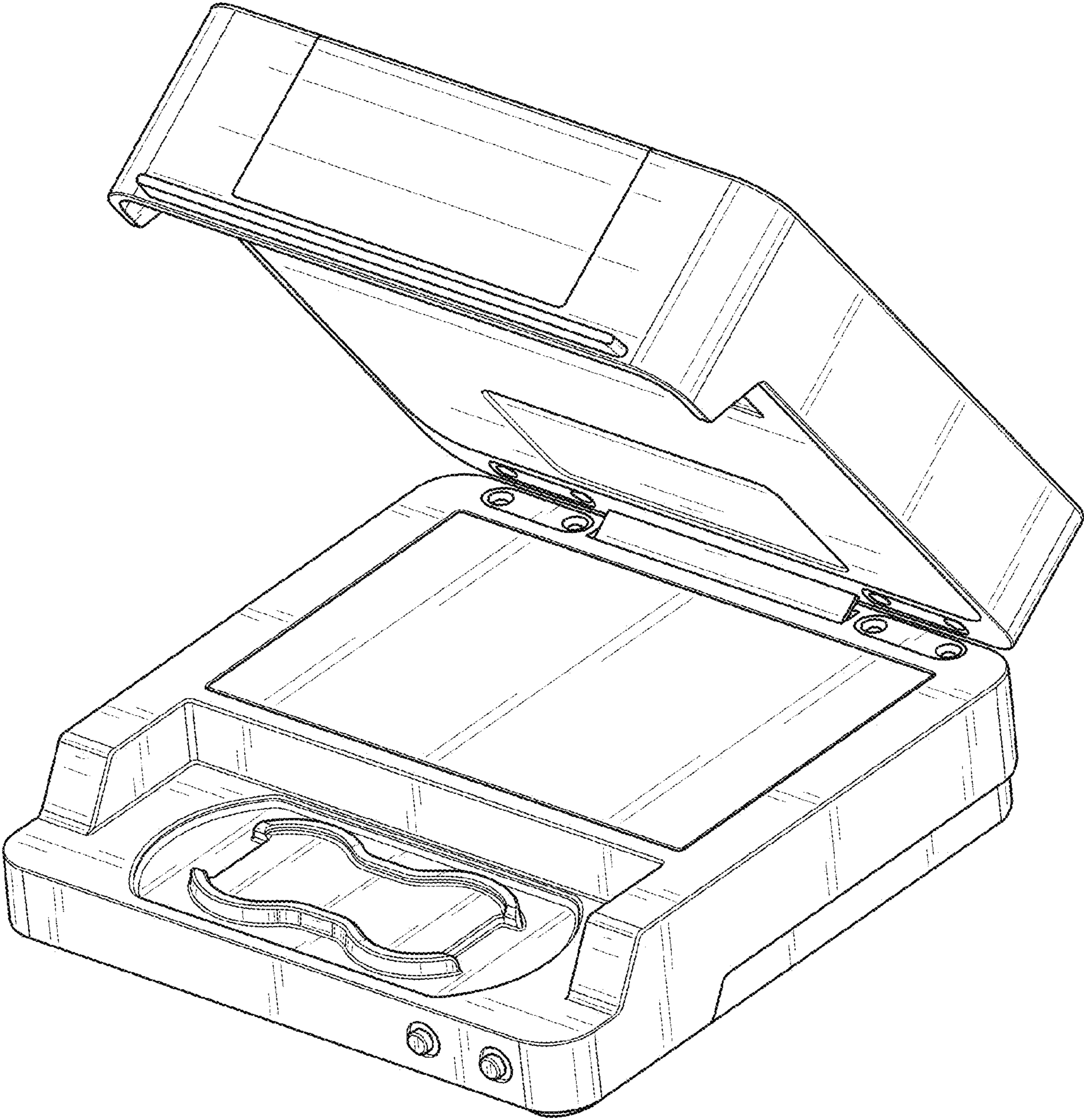


FIG. 1

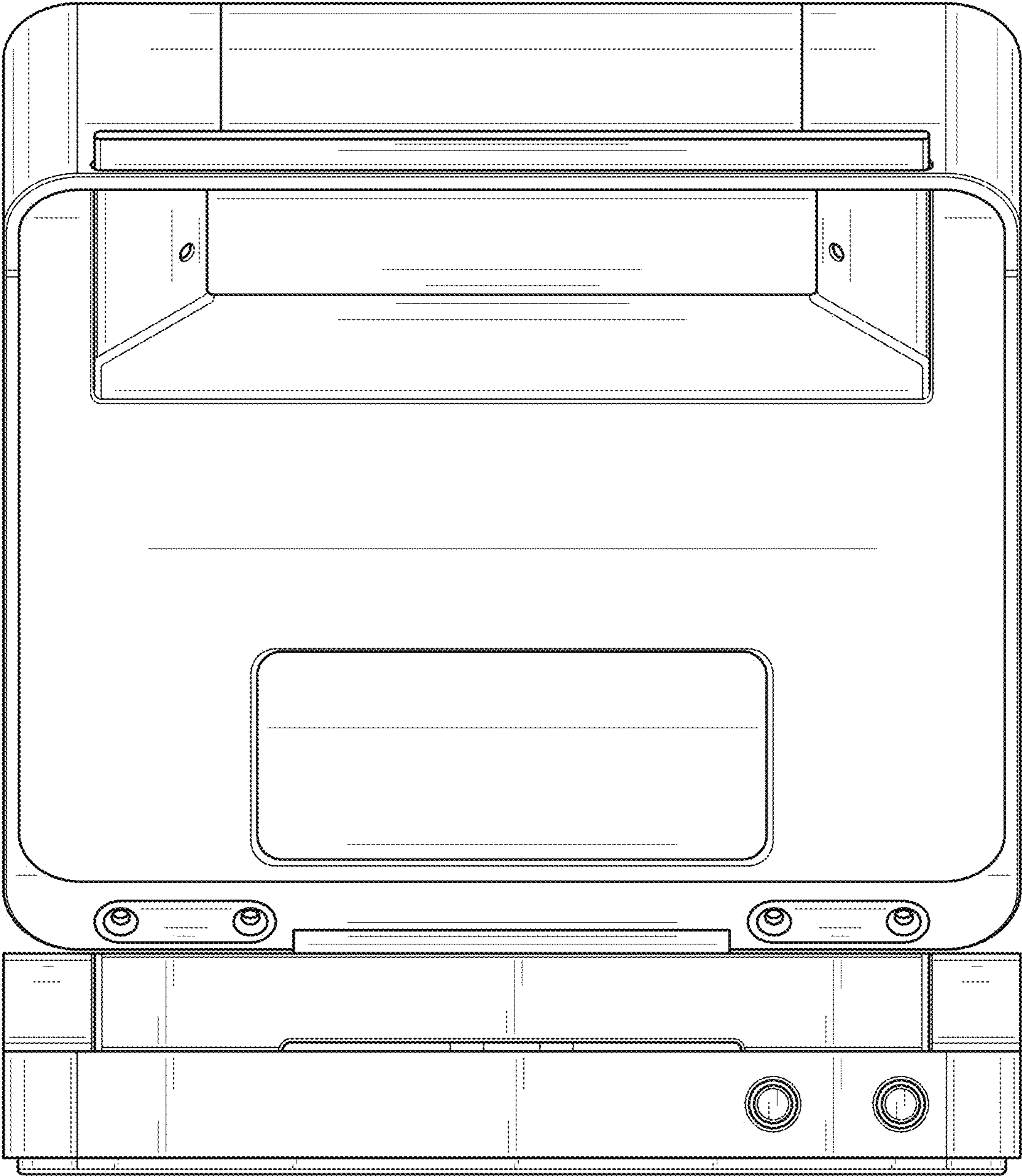


FIG. 2

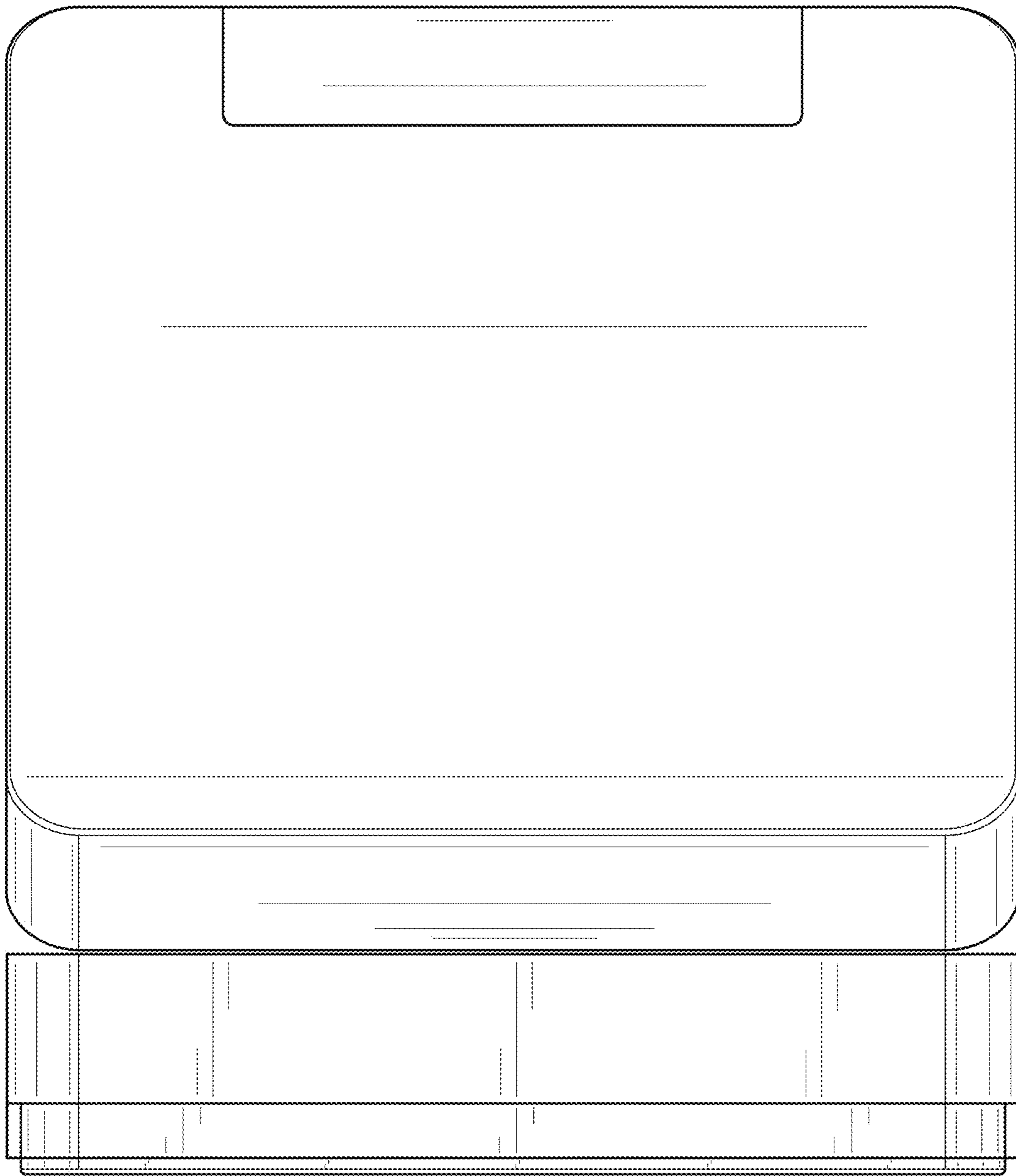


FIG. 3

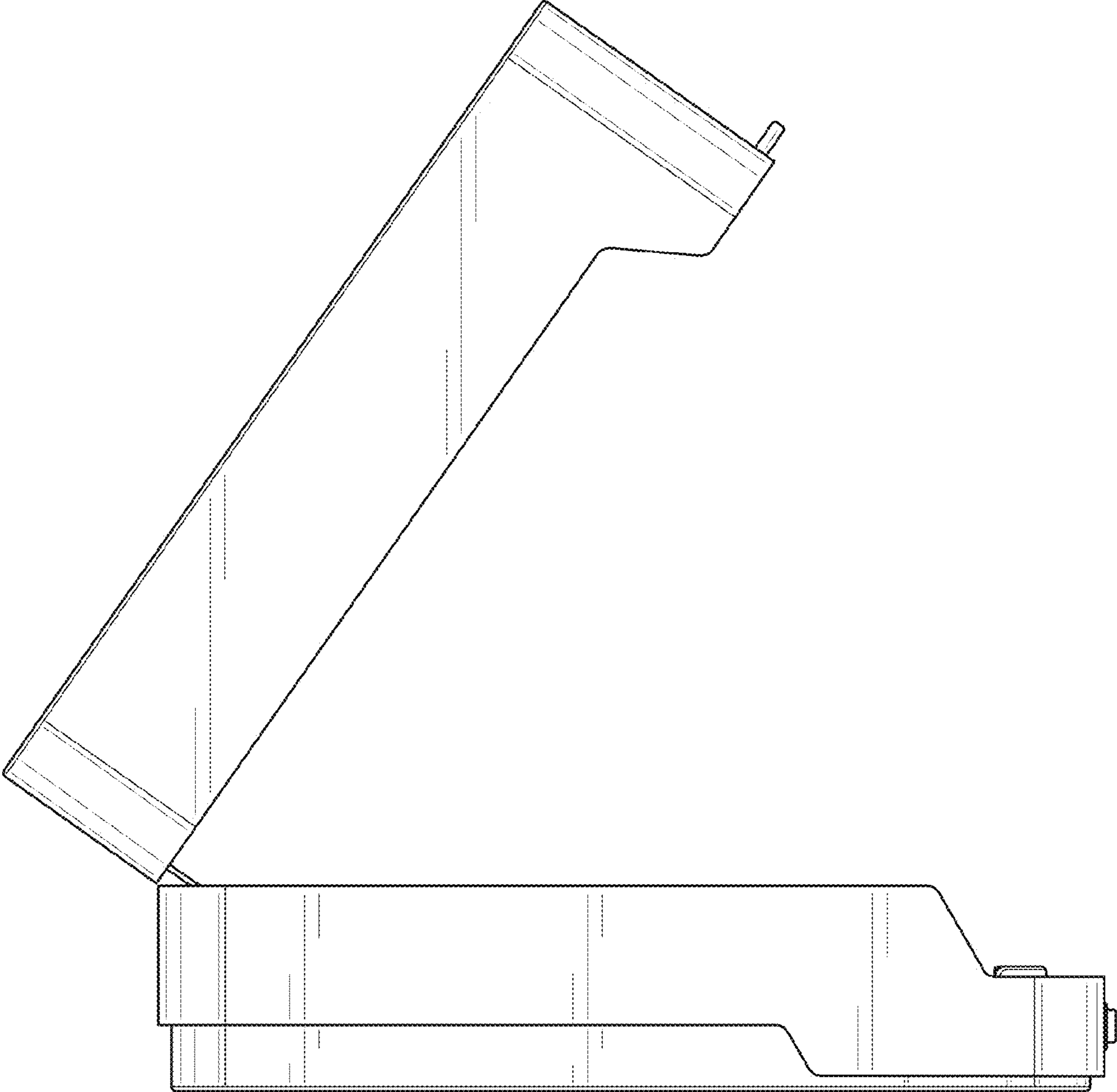


FIG. 4

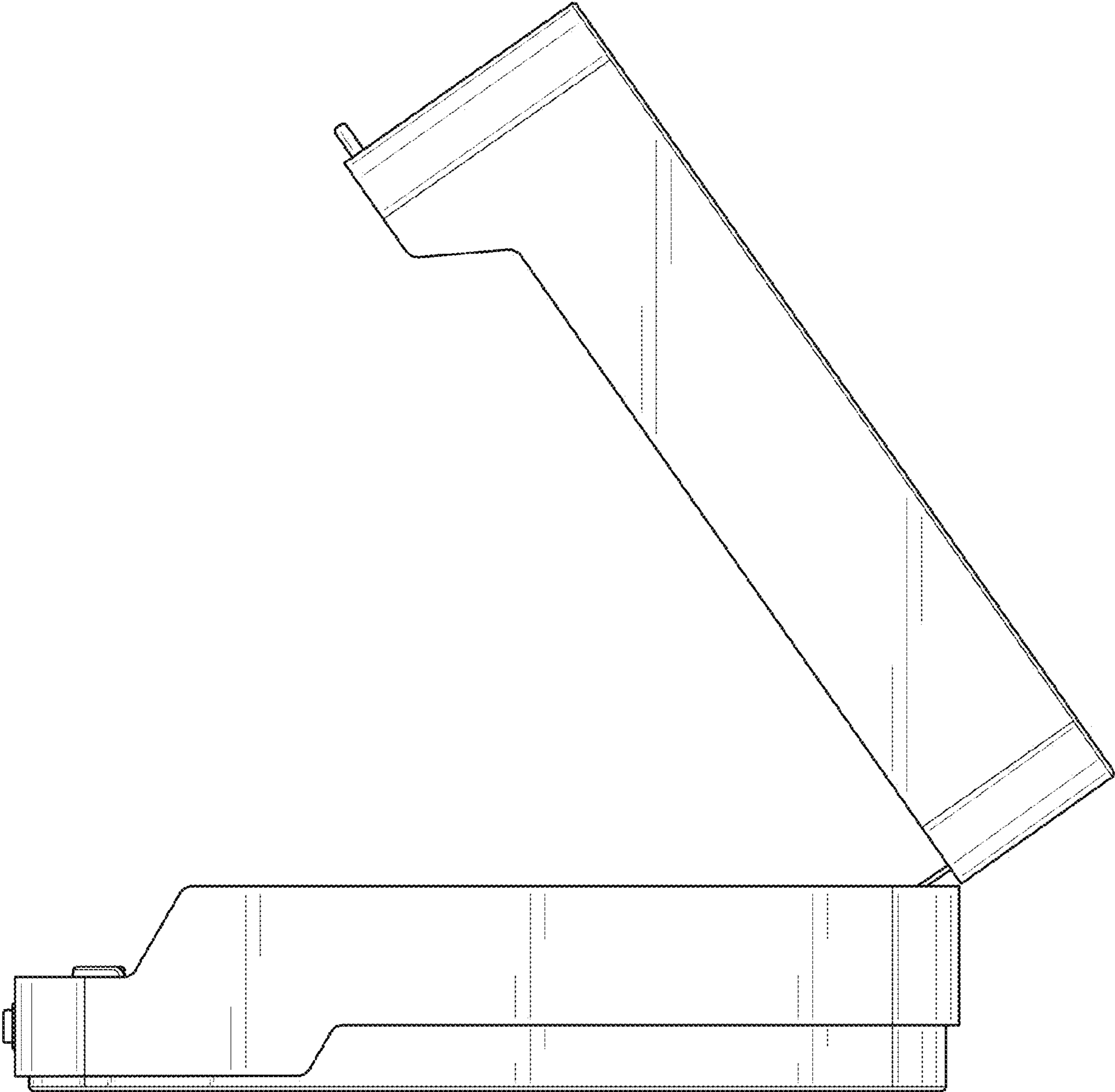


FIG. 5

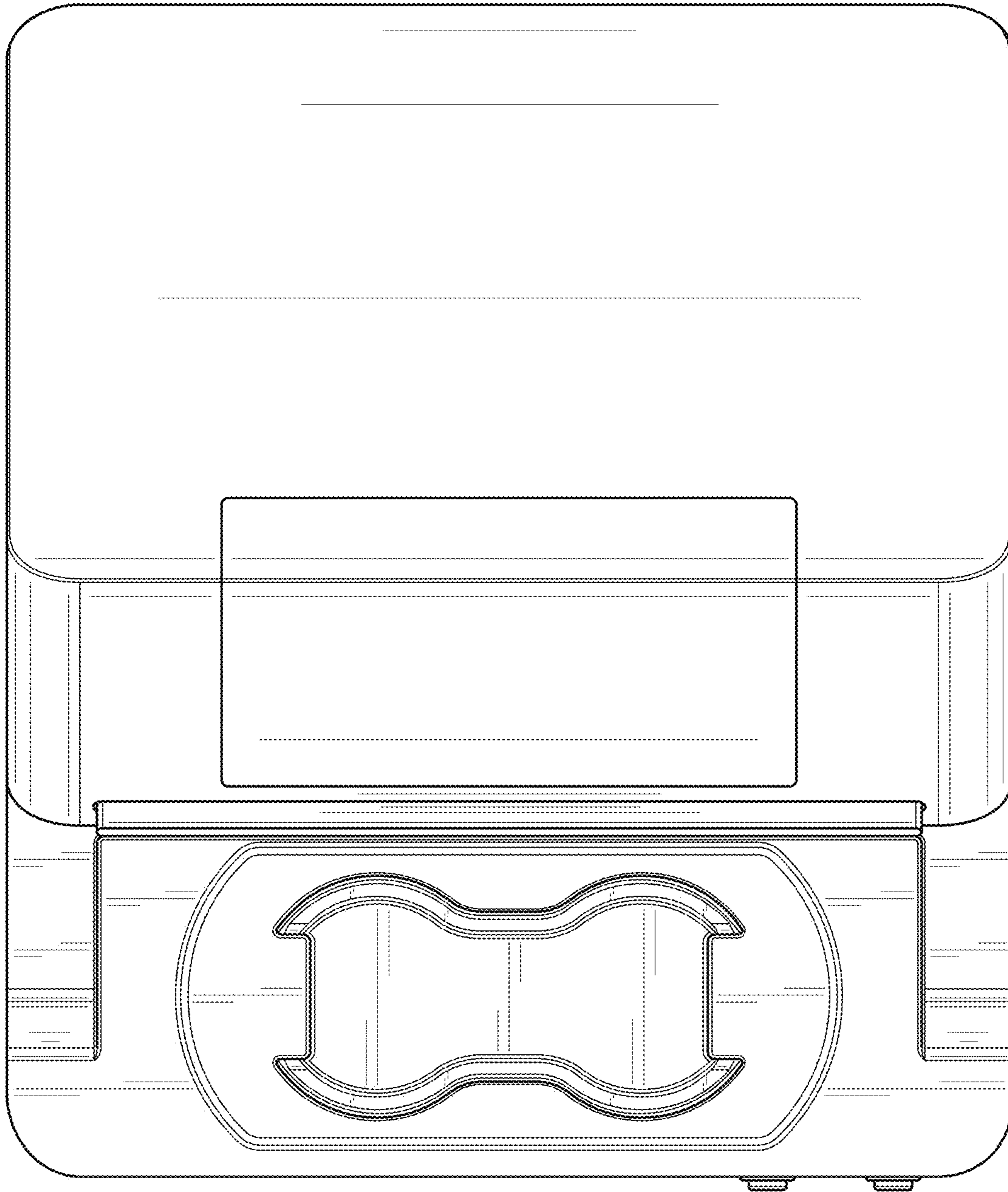


FIG. 6

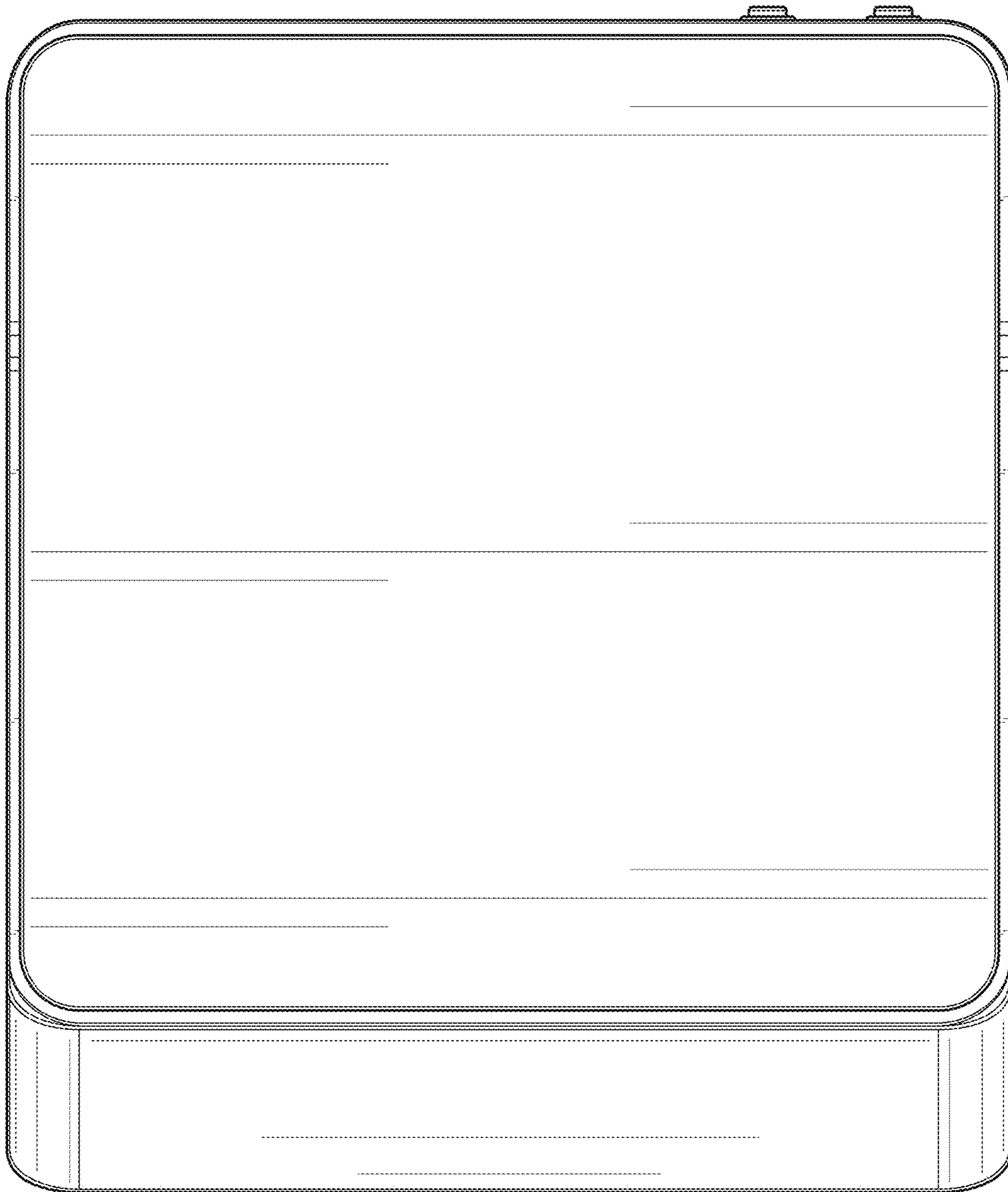


FIG. 7

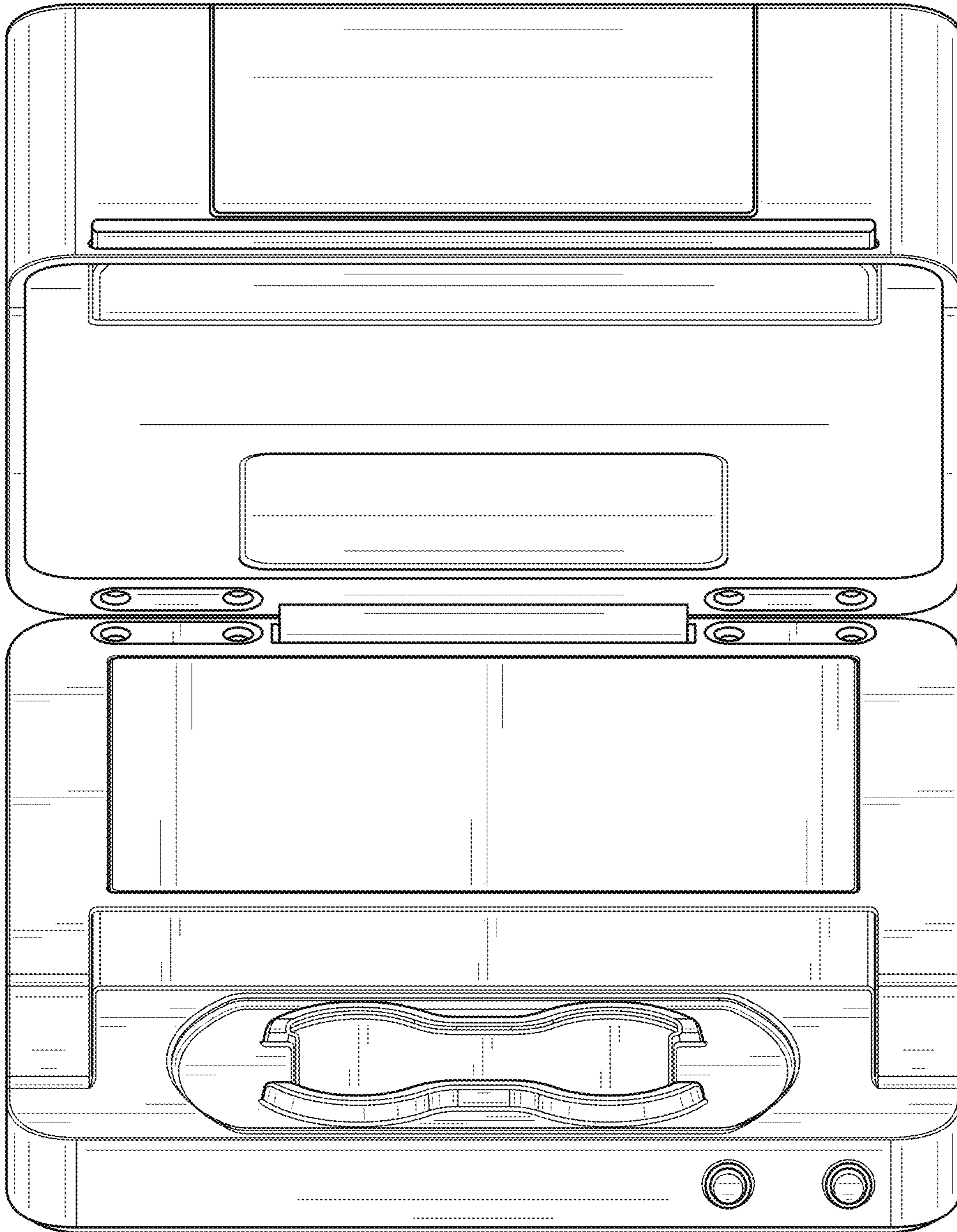


FIG. 8