



US00D880152S

(12) **United States Design Patent**
Weng

(10) **Patent No.:** **US D880,152 S**

(45) **Date of Patent:** **** Apr. 7, 2020**

(54) **SPEAKER CASE**

(71) Applicant: **Shenzhen Guangyipeng Technology Co., Ltd.**, Shenzhen (CN)

(72) Inventor: **Jie Weng**, Shenzhen (CN)

(73) Assignee: **Shenzhen Guangyipeng Technology Co., Ltd.**, Shenzhen (CN)

(**) Term: **15 Years**

(21) Appl. No.: **29/654,316**

(22) Filed: **Jun. 22, 2018**

(51) **LOC (12) Cl.** **03-01**

(52) **U.S. Cl.**
USPC **D3/269**

(58) **Field of Classification Search**
USPC D3/201, 205, 242, 269, 270, 267, 271.1, D3/271.9, 271.11, 273, 274, 275, 276, D3/279, 281, 282, 283, 284, 289, 292, D3/294, 295, 296, 297, 299, 301, 302, D3/901, 903, 905; D9/414
CPC A45C 5/04; A45C 11/00; A45C 11/16
See application file for complete search history.

(56) **References Cited**

U.S. PATENT DOCUMENTS

D293,856 S * 1/1988 Evans D3/229
D364,167 S * 11/1995 Daniels D14/221
D456,166 S * 4/2002 Seltzer D14/217
D635,555 S * 4/2011 Giles D6/407

* cited by examiner

Primary Examiner — Holly E Thurman

(74) *Attorney, Agent, or Firm* — Wang Law Firm, Inc.

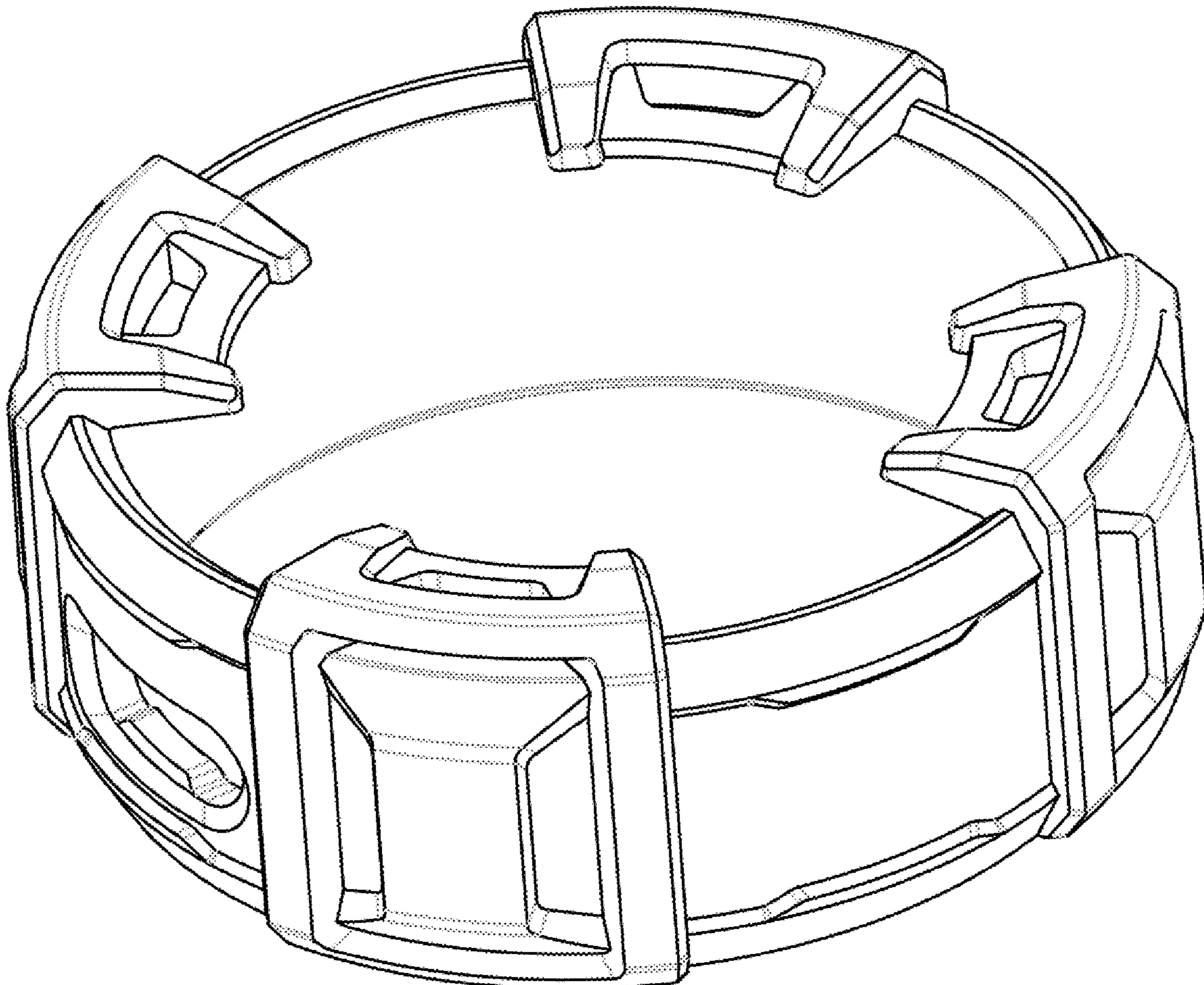
(57) **CLAIM**

The ornamental design for a speaker case, as shown and described.

DESCRIPTION

FIG. 1 is a front view showing my new design;
FIG. 2 is a rear view thereof;
FIG. 3 is a left view thereof;
FIG. 4 is a right view thereof;
FIG. 5 is a top view thereof;
FIG. 6 is a bottom view thereof; and,
FIG. 7 is a top perspective view thereof.

1 Claim, 7 Drawing Sheets



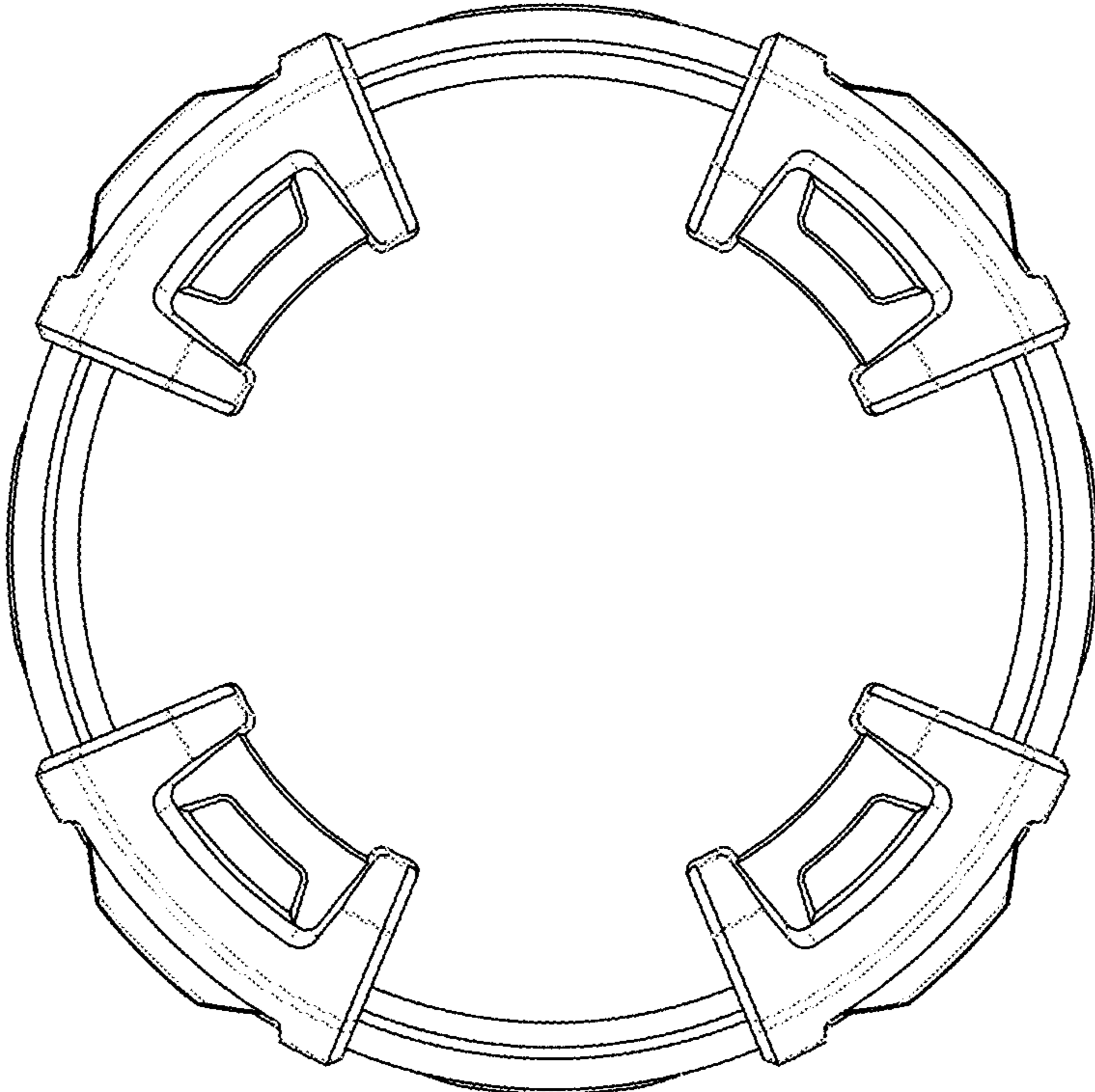


Fig. 1

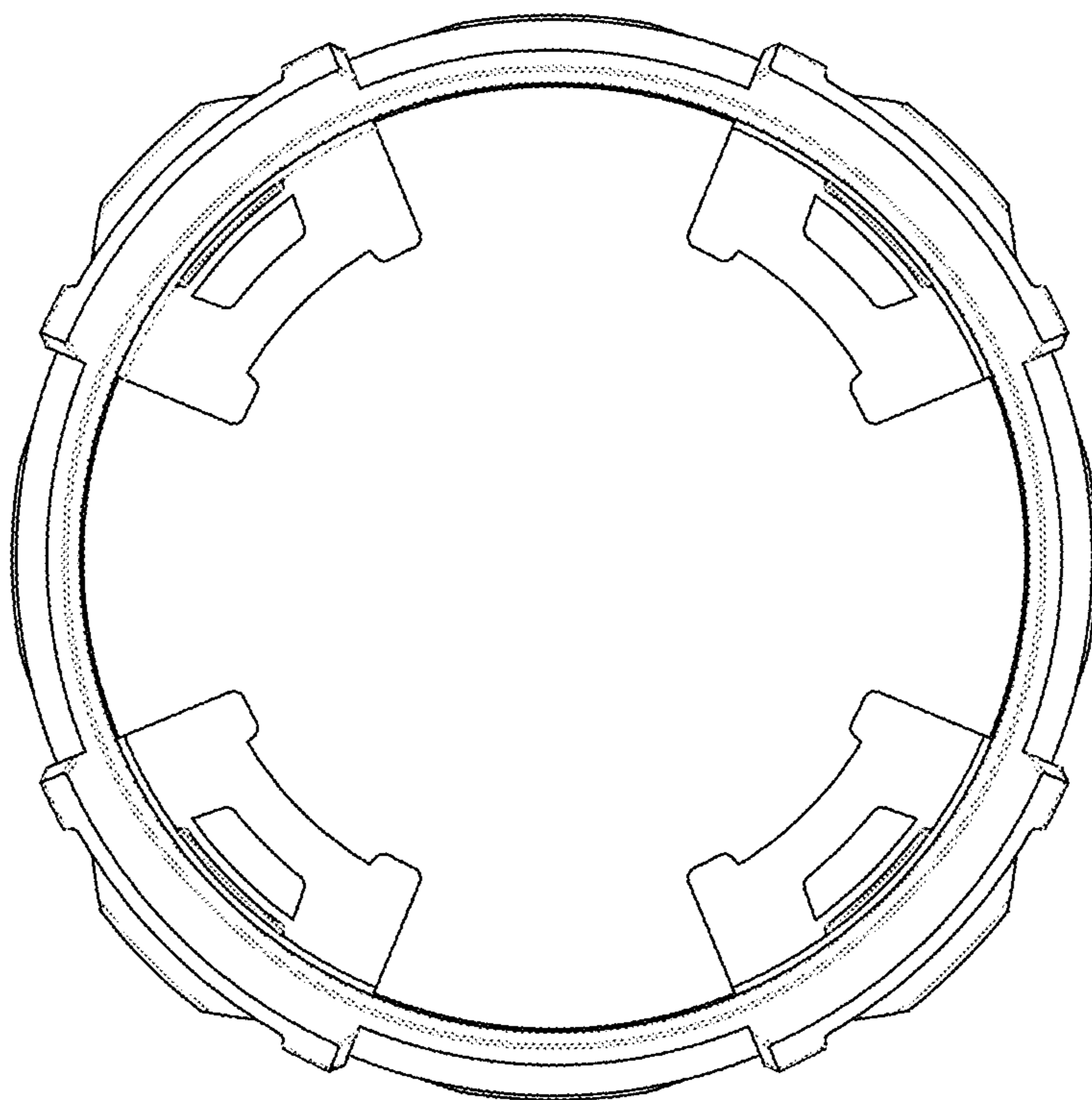


Fig. 2

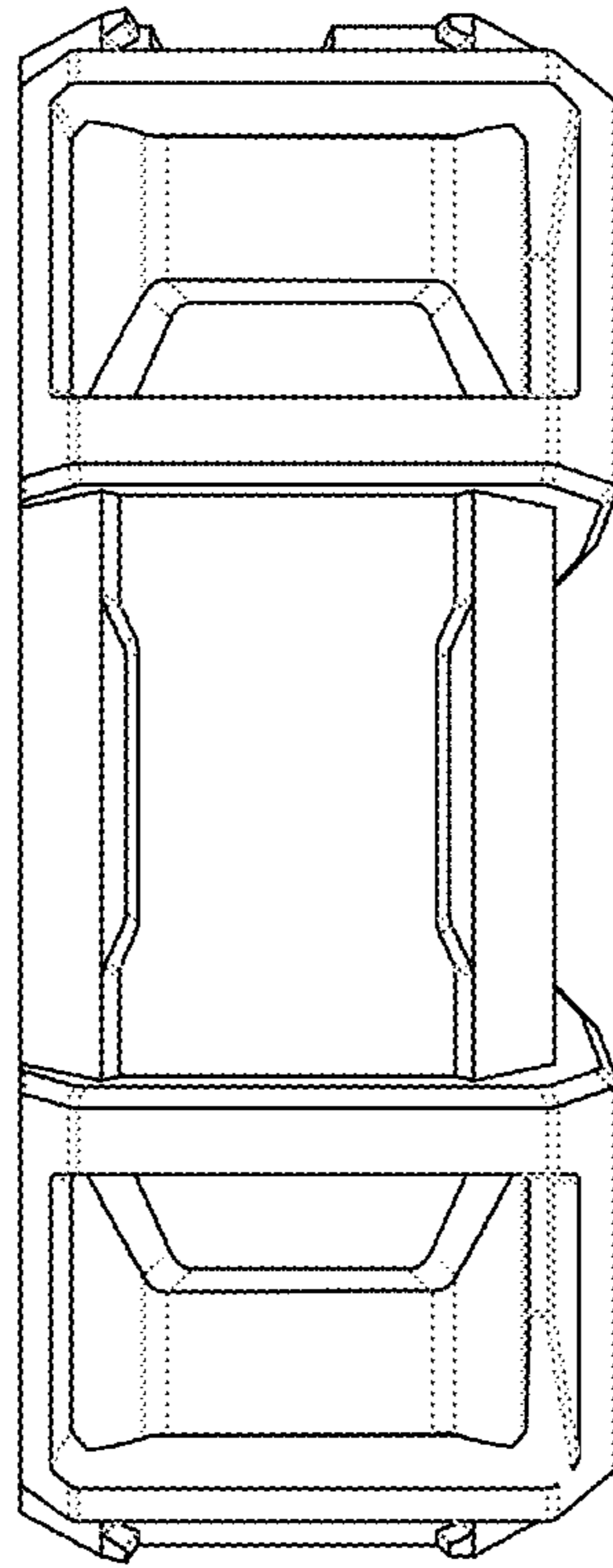


Fig. 3

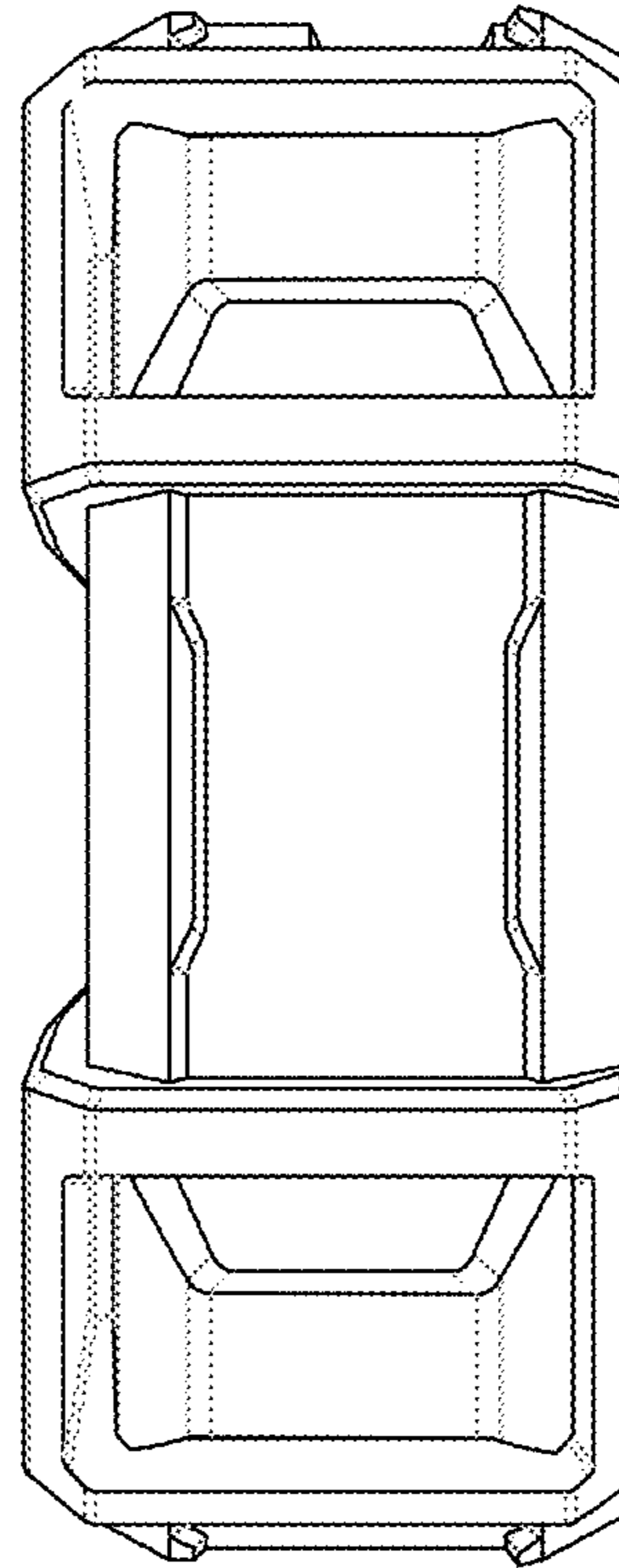


Fig. 4

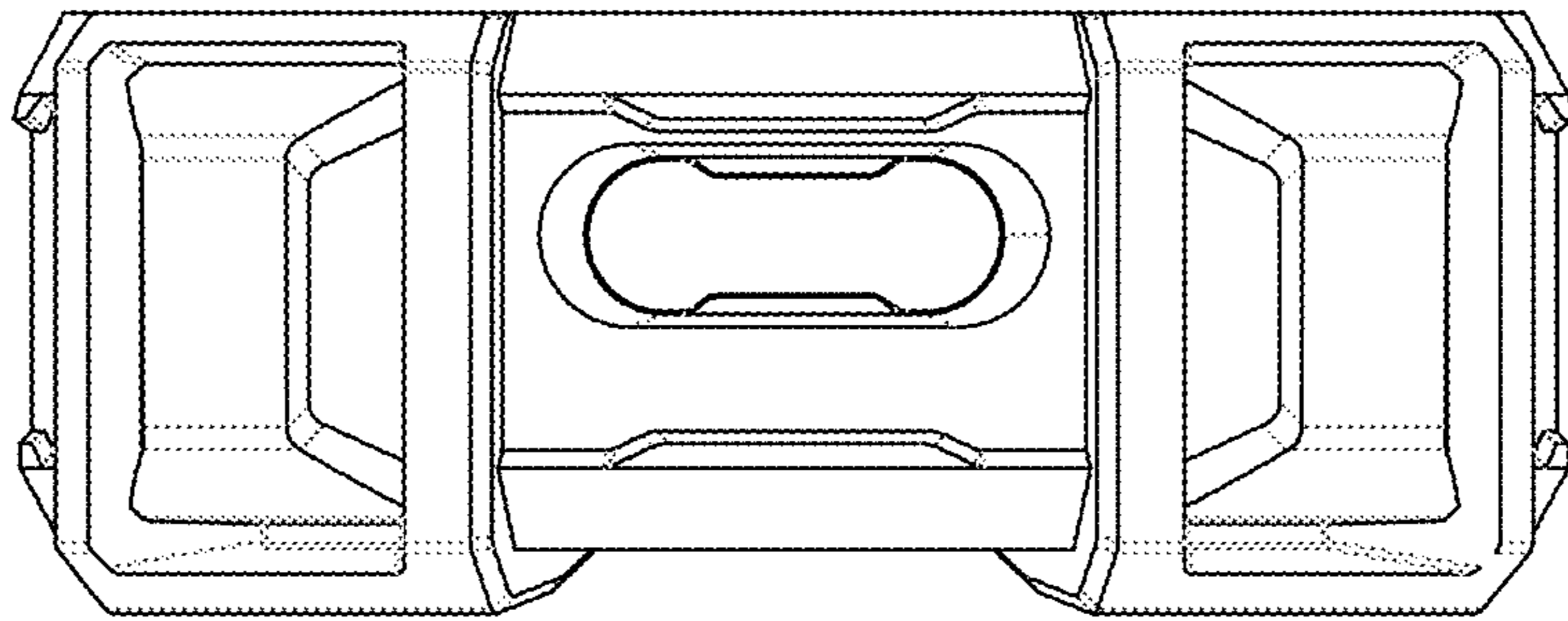


Fig. 5

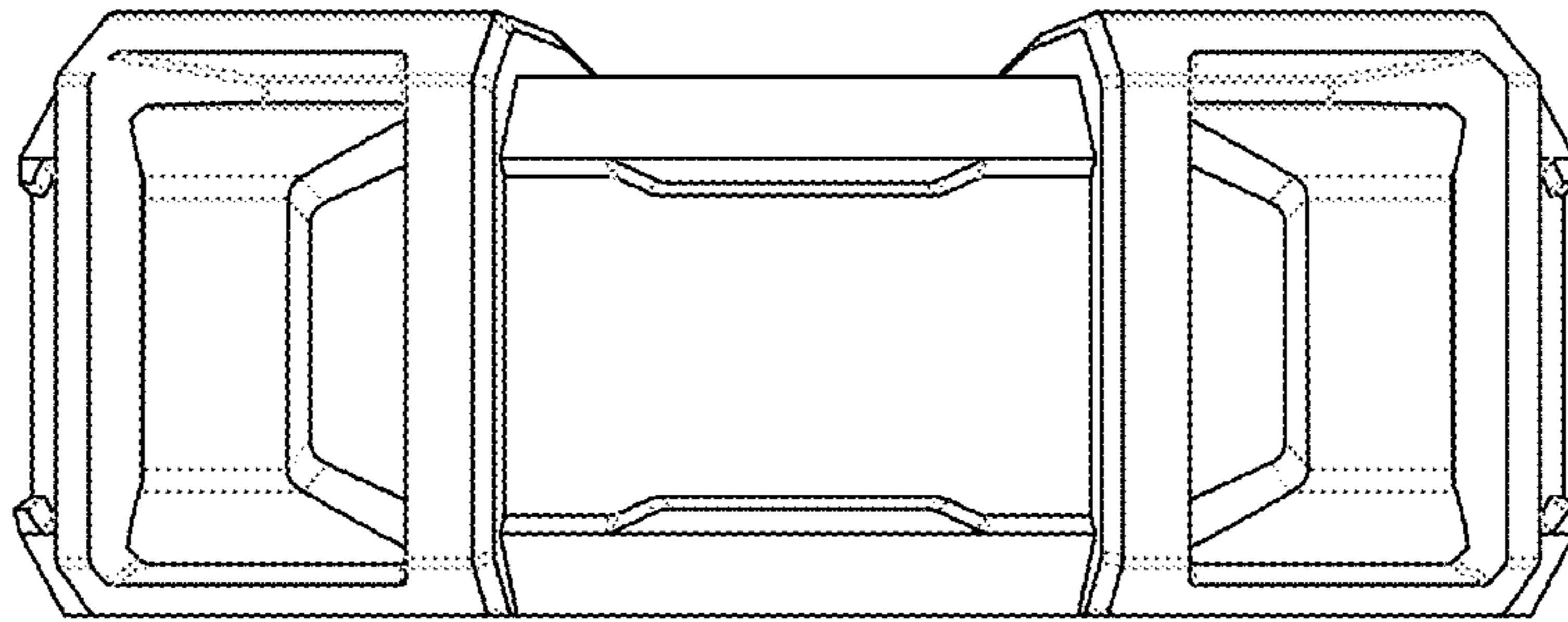


Fig. 6

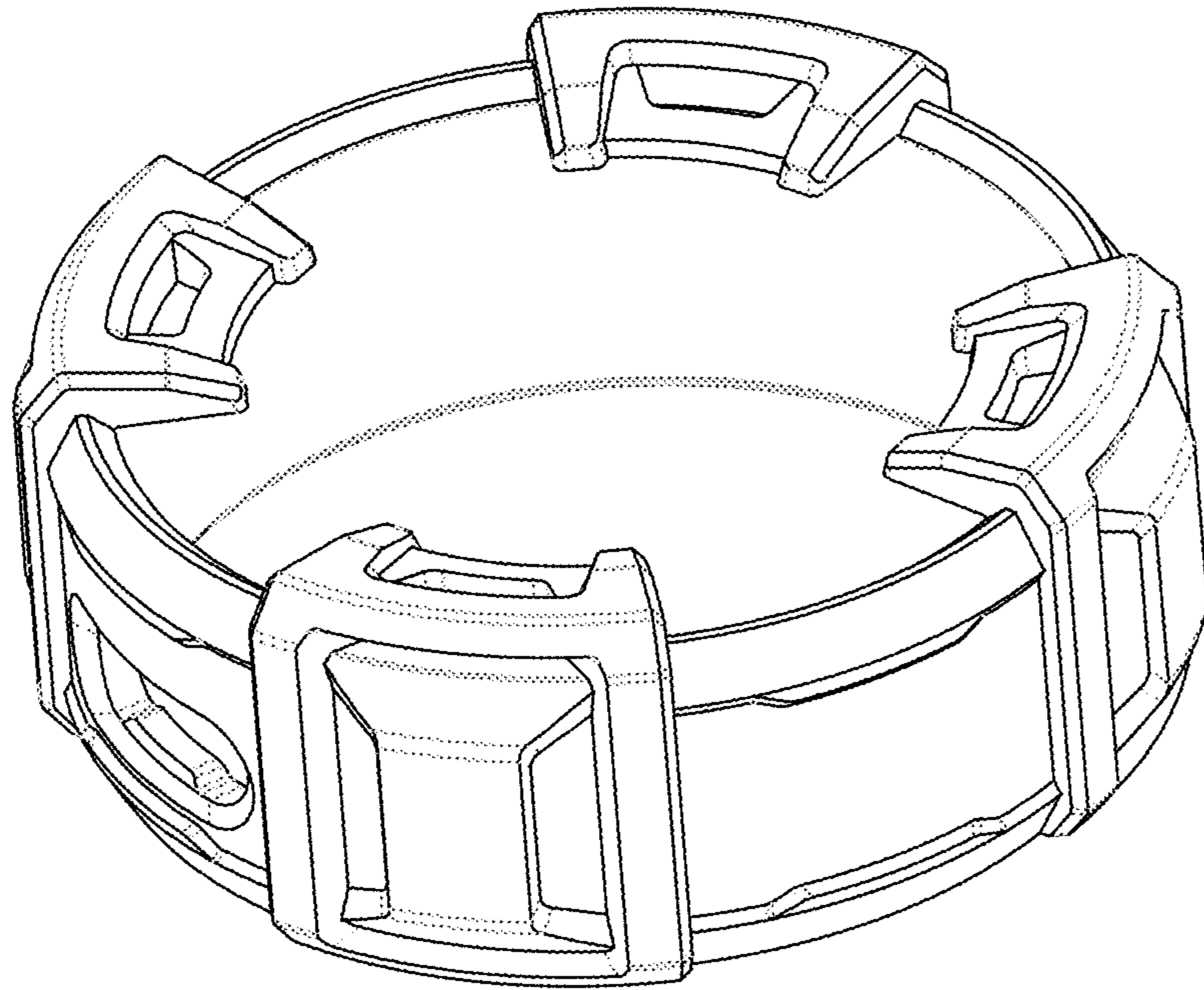


Fig. 7