



US00D880151S

(12) **United States Design Patent**
Hawkes

(10) **Patent No.:** **US D880,151 S**

(45) **Date of Patent:** **** Apr. 7, 2020**

(54) **HANDBAG**

CPC A45C 1/024; A45C 3/06
See application file for complete search history.

(71) Applicant: **LOUIS VUITTON MALLETIER,**
Paris (FR)

(56) **References Cited**

U.S. PATENT DOCUMENTS

(72) Inventor: **Erin Hawkes,** Paris (FR)

D721,487 S * 1/2015 Maier D3/245
D728,227 S * 5/2015 Hawkes D3/245
D745,779 S * 12/2015 Kuster D3/245

(73) Assignee: **LOUIS VUITTON MALLETIER,**
Paris (FR)

* cited by examiner

(**) Term: **15 Years**

Primary Examiner — Holly H Baynham
(74) *Attorney, Agent, or Firm* — Fross Zelnick Lehrman
& Zissu, P.C.; Charles T. J. Weigell, Esq.

(21) Appl. No.: **29/672,685**

(57) **CLAIM**

(22) Filed: **Dec. 7, 2018**

The ornamental design for a handbag, as shown and described.

(30) **Foreign Application Priority Data**

DESCRIPTION

Jun. 8, 2018 (EM) 005302585-0005

(51) **LOC (12) Cl.** **03-01**

(52) **U.S. Cl.**
USPC **D3/245**

(58) **Field of Classification Search**
USPC D3/232-233, 240-243, 245-246

FIG. 1 is a perspective view of a handbag showing my new design;

FIG. 2 is a front view thereof;
FIG. 3 is a back view thereof;
FIG. 4 is a right side view thereof;
FIG. 5 is a left side view thereof;
FIG. 6 is a top view thereof; and,
FIG. 7 is a bottom view thereof.

The stitching in the drawings form no part of the claimed design.





FIG. 1



FIG. 2



FIG. 3

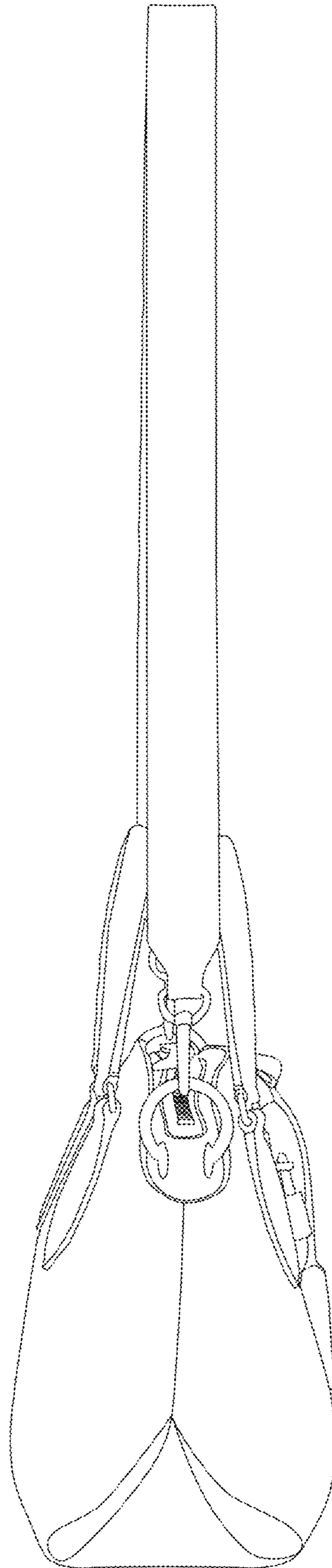


FIG. 4

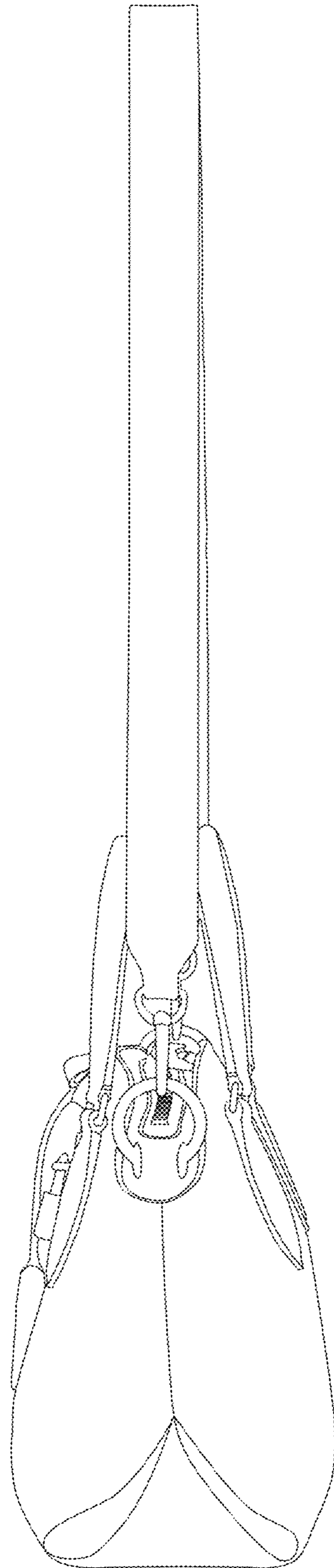


FIG. 5

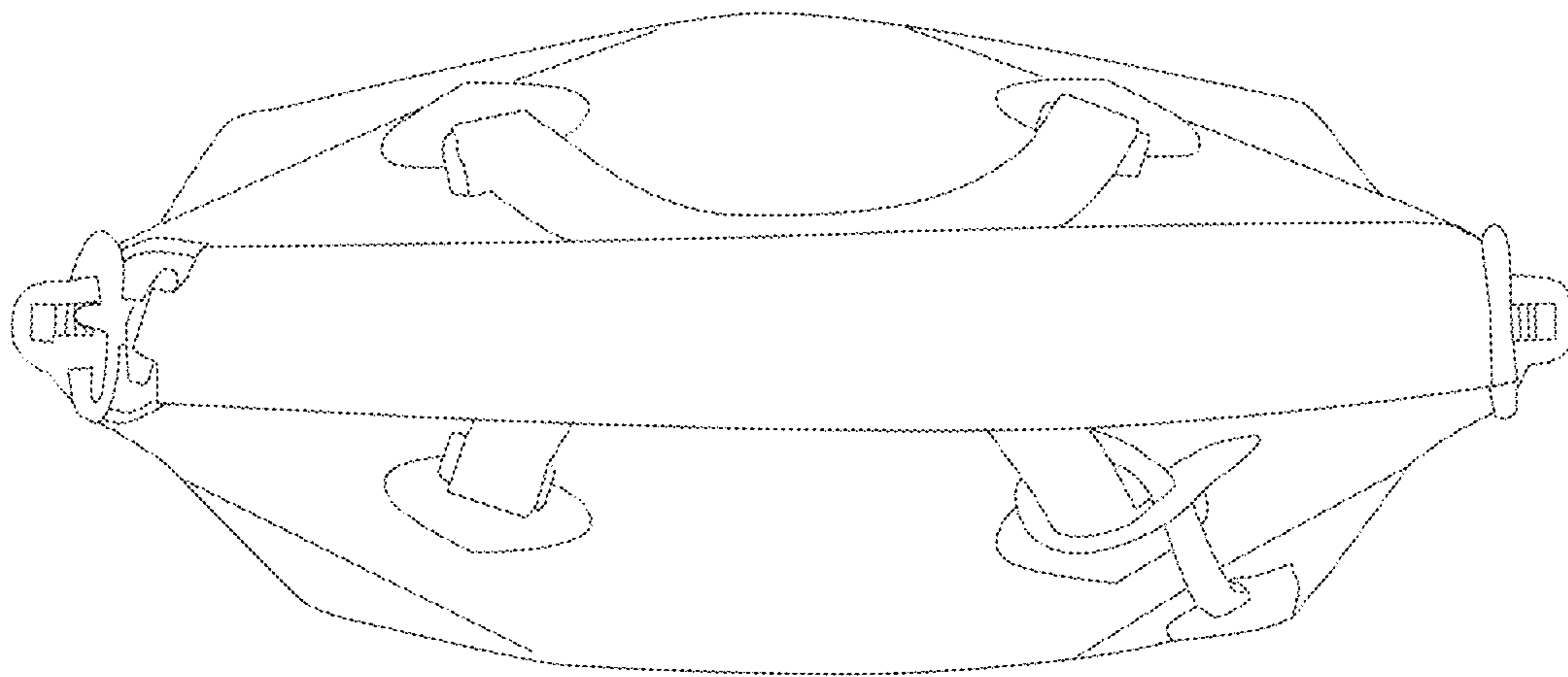


FIG. 6

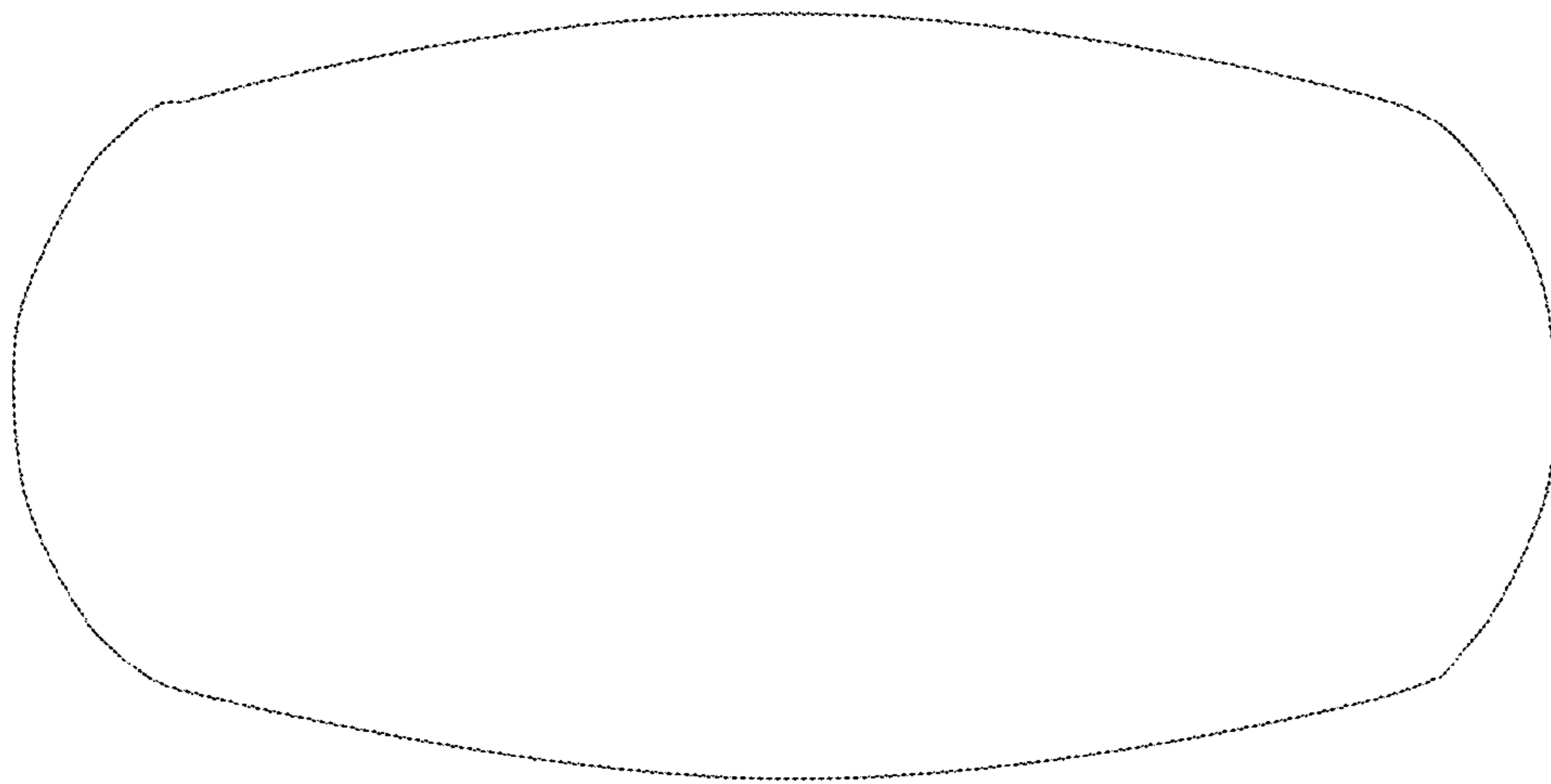


FIG. 7