



US00D880149S

(12) **United States Design Patent**
Yang

(10) **Patent No.:** **US D880,149 S**
(45) **Date of Patent:** **** Apr. 7, 2020**

(54) **VERTICAL WAIST POUCH**
(71) Applicant: **SHENZHENSHI**
GUANGSHENGHONGYUAN
TRADING CO., LTD., Shenzhen (CN)
(72) Inventor: **Gaozong Yang,** Fuzhou (CN)
(73) Assignee: **SHENZHENSHI**
GUANGSHENGHONGYUAN
TRADING CO., LTD., Shenzhen (CN)

6,357,646 B1 * 3/2002 Gur A45F 5/02
224/237
D653,444 S * 2/2012 Larios D3/218
8,899,458 B1 * 12/2014 Heien A45F 5/021
224/675
D720,924 S * 1/2015 Emmitt D3/218
D750,369 S * 3/2016 Hamilton D3/218
D782,816 S * 4/2017 Boyd D3/218
D819,960 S * 6/2018 Zhang D3/218

* cited by examiner

Primary Examiner — Catherine R Oliver-Garcia

(**) Term: **15 Years**

(21) Appl. No.: **29/678,748**

(22) Filed: **Jan. 30, 2019**

(51) **LOC (12) Cl.** **03-01**

(52) **U.S. Cl.**
USPC **D3/226; D3/218**

(58) **Field of Classification Search**
USPC D3/201, 215, 218–219, 224, 226, 228,
D3/269, 299, 301, 303; 224/237, 269,
224/676–683, 901.4, 901.6, 901;
455/575.1, 575.8; 206/305, 320
CPC A45F 5/00; A45F 5/02; A45F 5/021; A45F
2200/05; A45F 2200/0508; A45F
2200/0516; A45F 2200/0525; A45F 3/02;
A45F 3/14

See application file for complete search history.

(56) **References Cited**

U.S. PATENT DOCUMENTS

D307,673 S * 5/1990 Brown 224/240
6,345,752 B1 * 2/2002 Chapman A45C 11/34
224/236

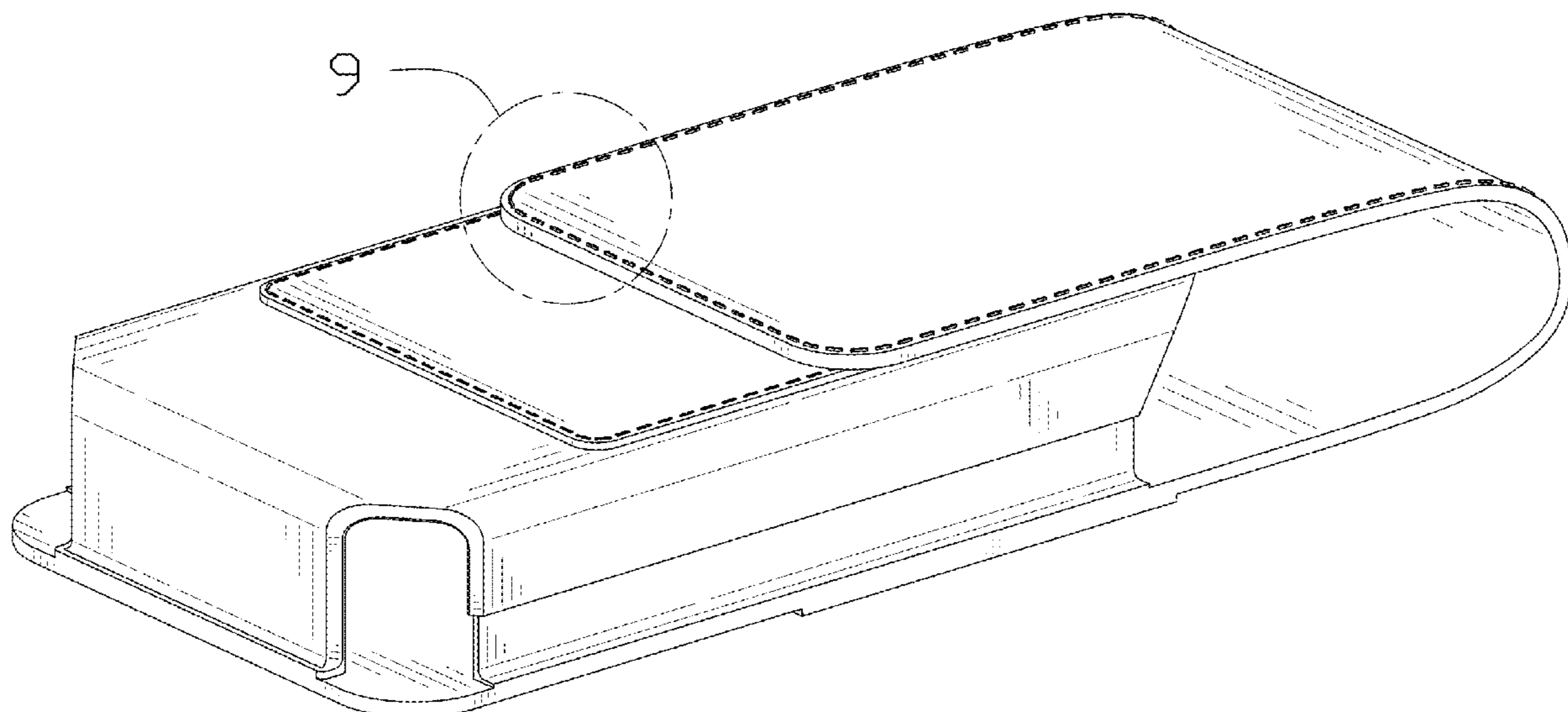
(57) **CLAIM**

The ornamental design for a vertical waist pouch, as shown and described.

DESCRIPTION

FIG. 1 is a perspective view of a vertical waist pouch showing my new design;
FIG. 2 is another perspective view thereof;
FIG. 3 is a front elevational view thereof;
FIG. 4 is a rear elevational view thereof;
FIG. 5 is a left side elevational view thereof;
FIG. 6 is a right side elevational view thereof;
FIG. 7 is a top plan view thereof;
FIG. 8 is a bottom plan view thereof; and,
FIG. 9 is an enlarged view of portion 9 shown in FIG. 1.
The broken lines in the drawings illustrate portions of the vertical waist pouch that form no part of the claimed design.

1 Claim, 9 Drawing Sheets



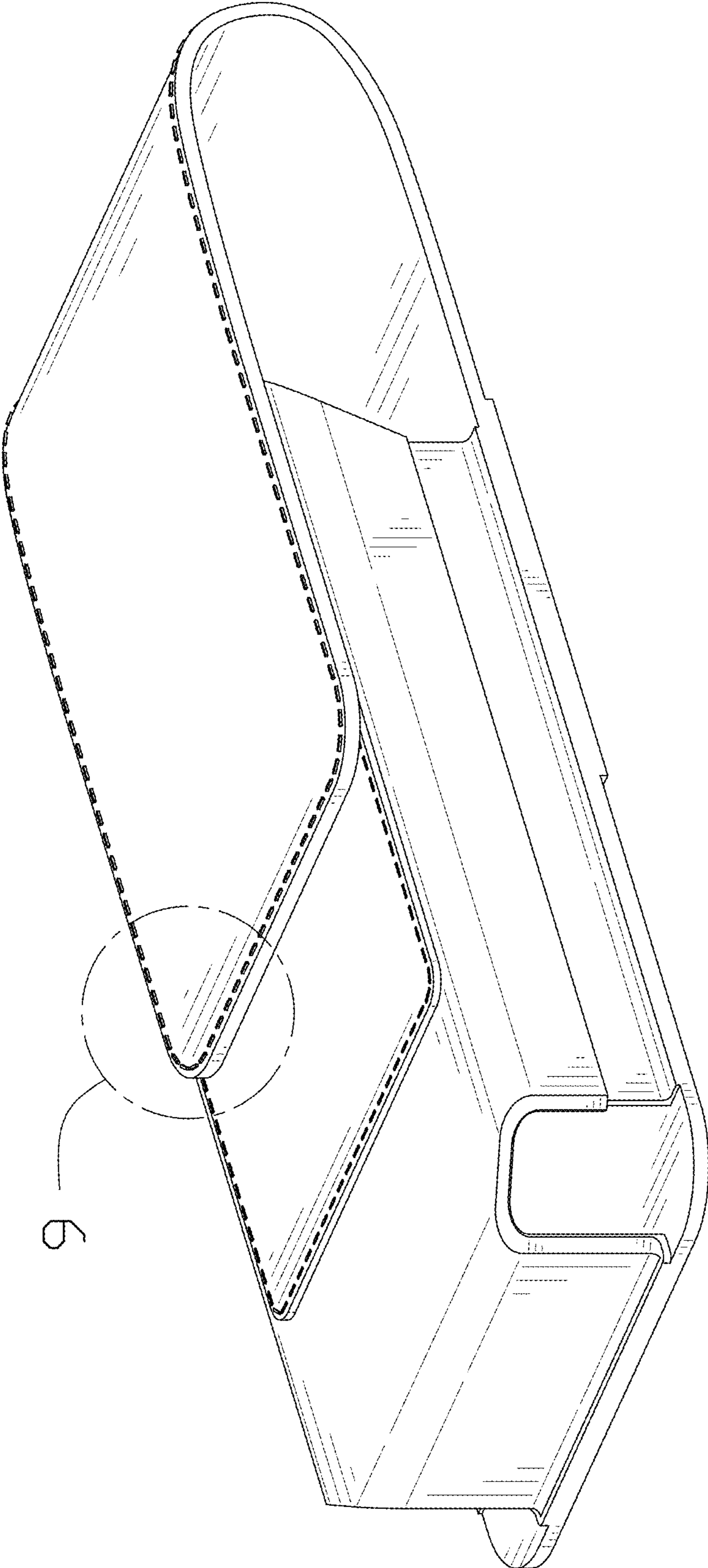


FIG. 1

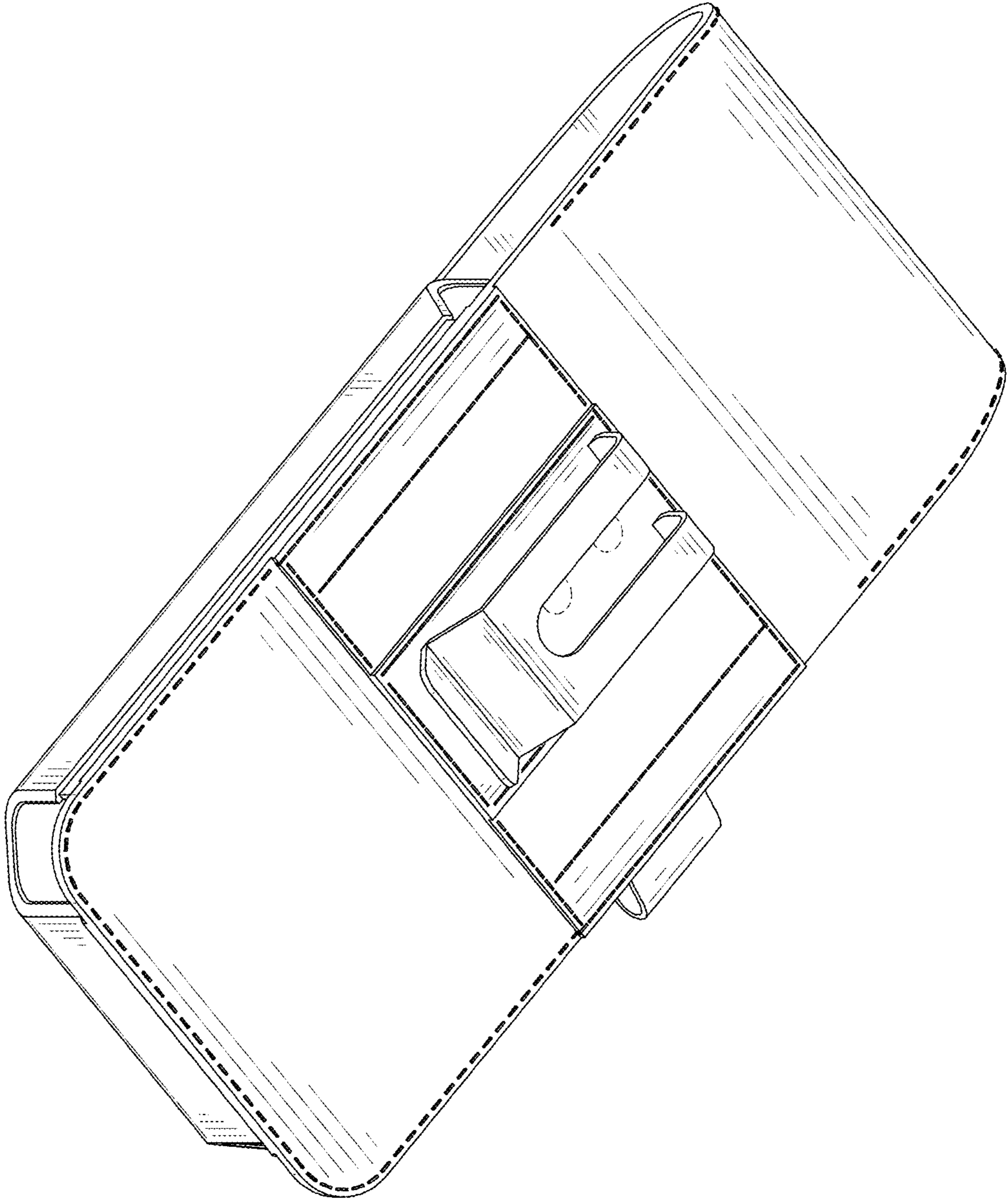


FIG. 2

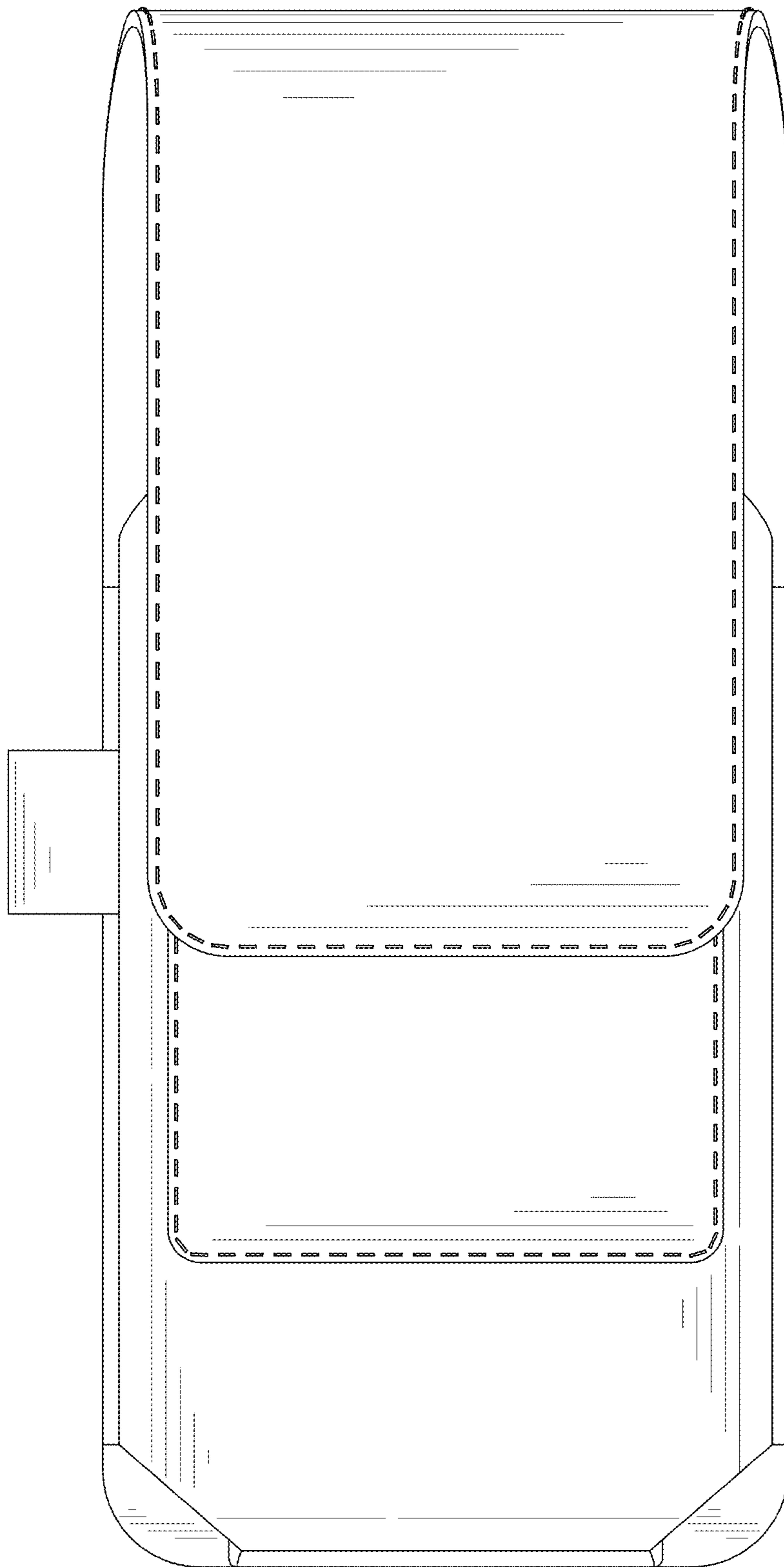


FIG. 3

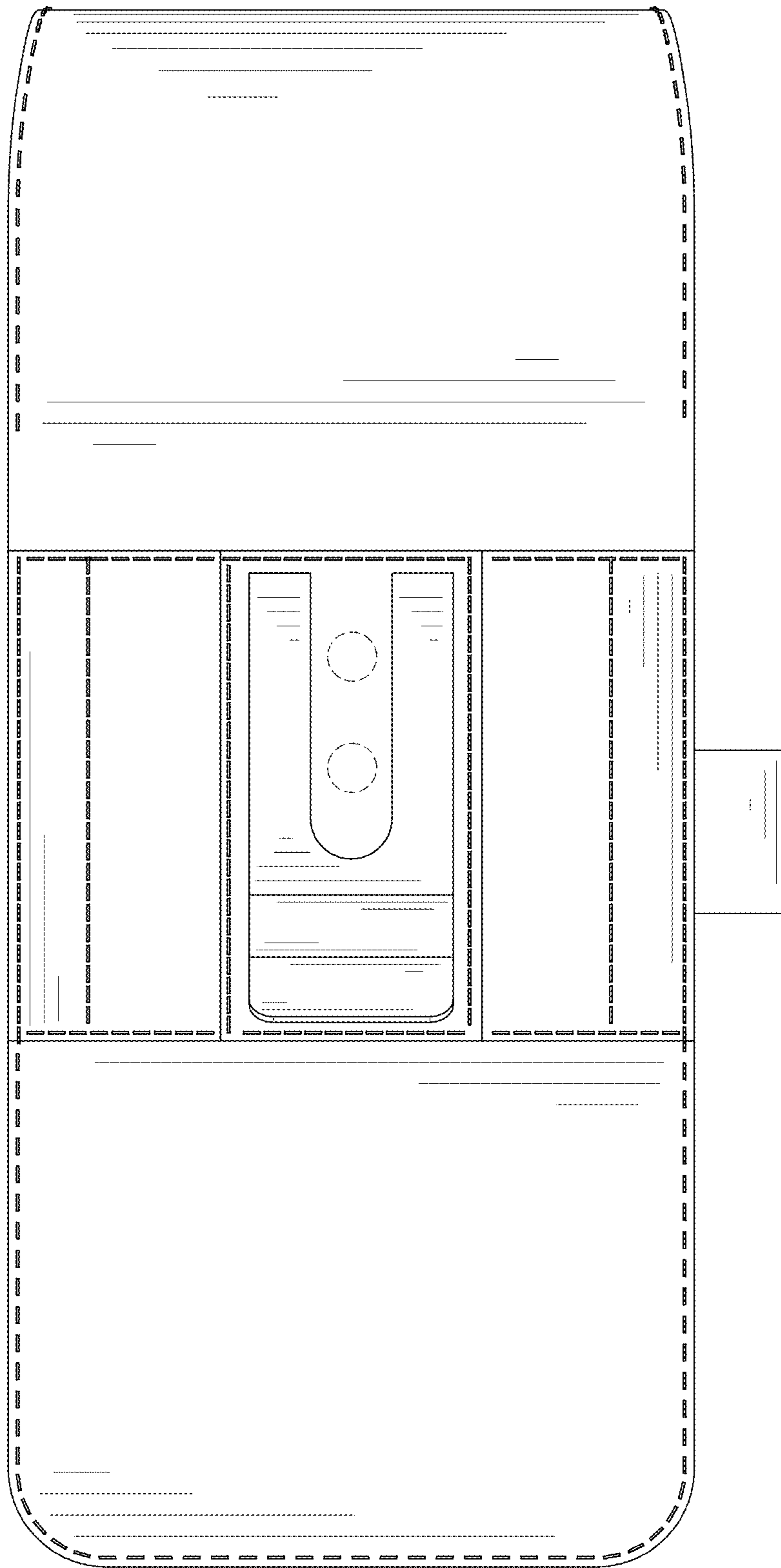


FIG. 4

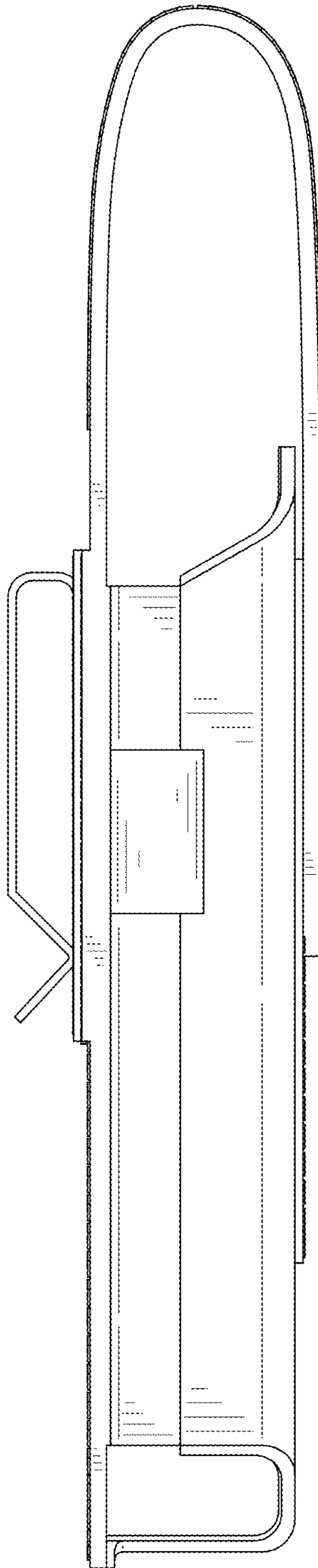


FIG. 5

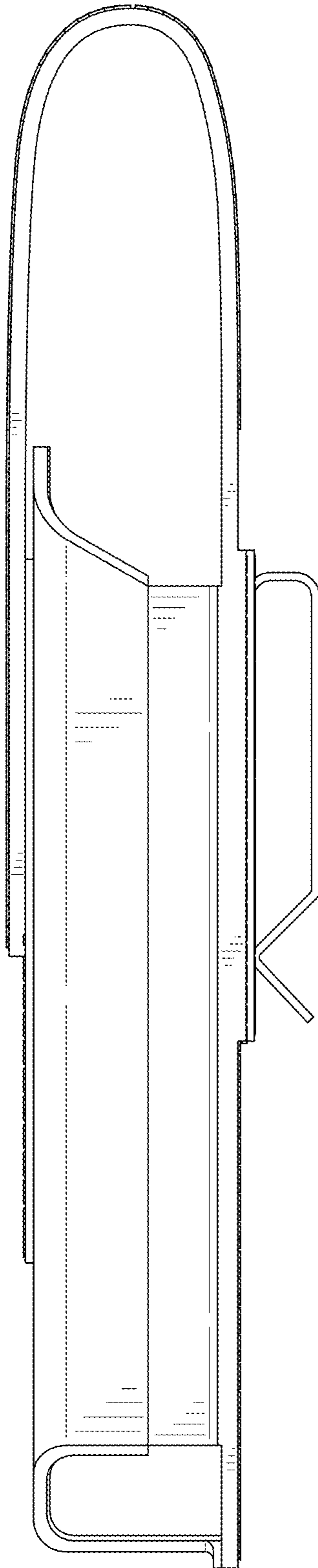


FIG. 6

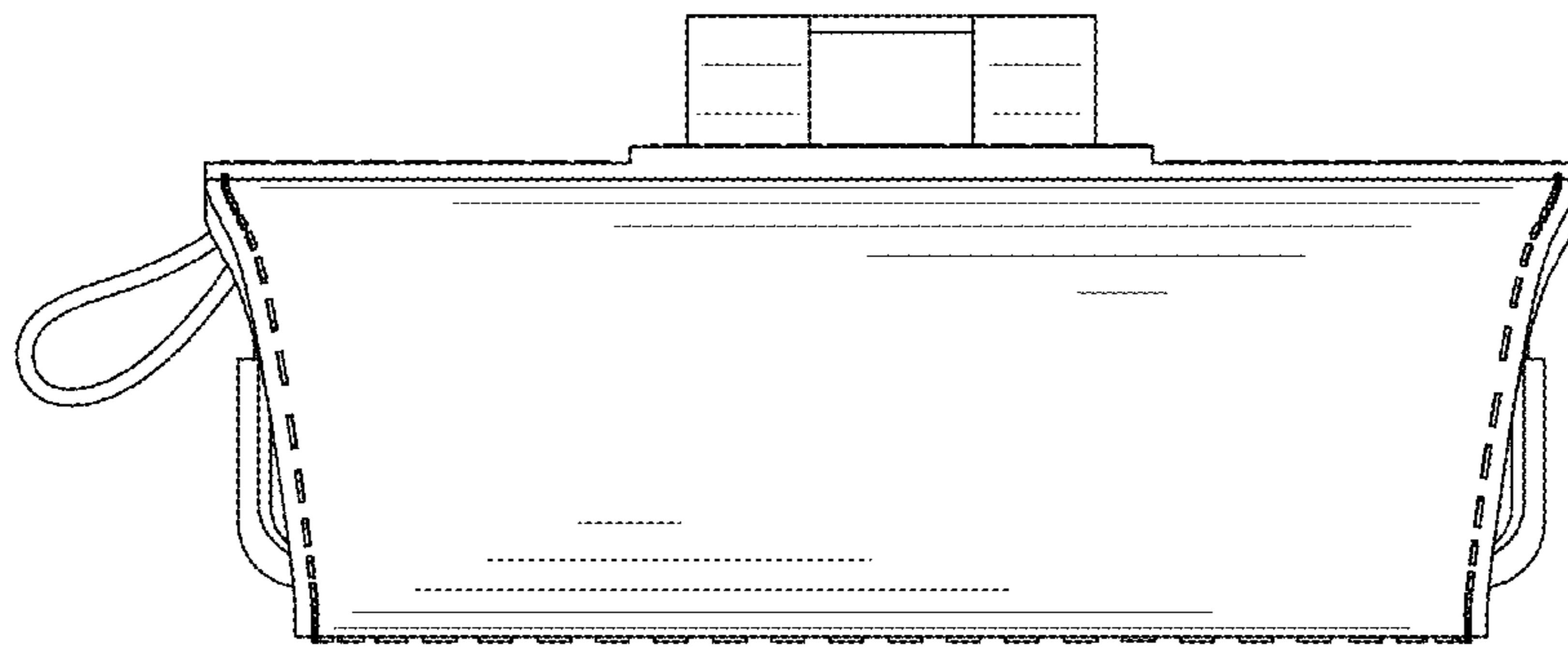


FIG. 7

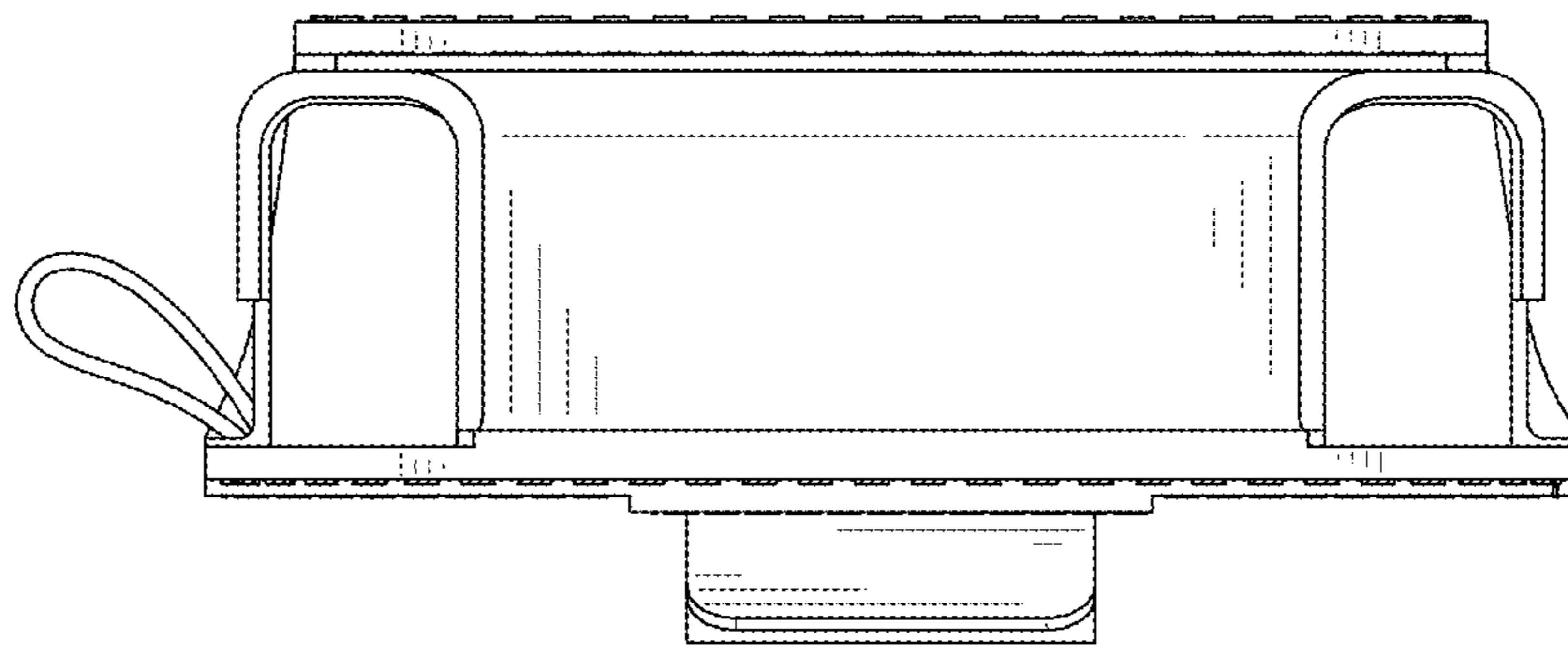


FIG. 8

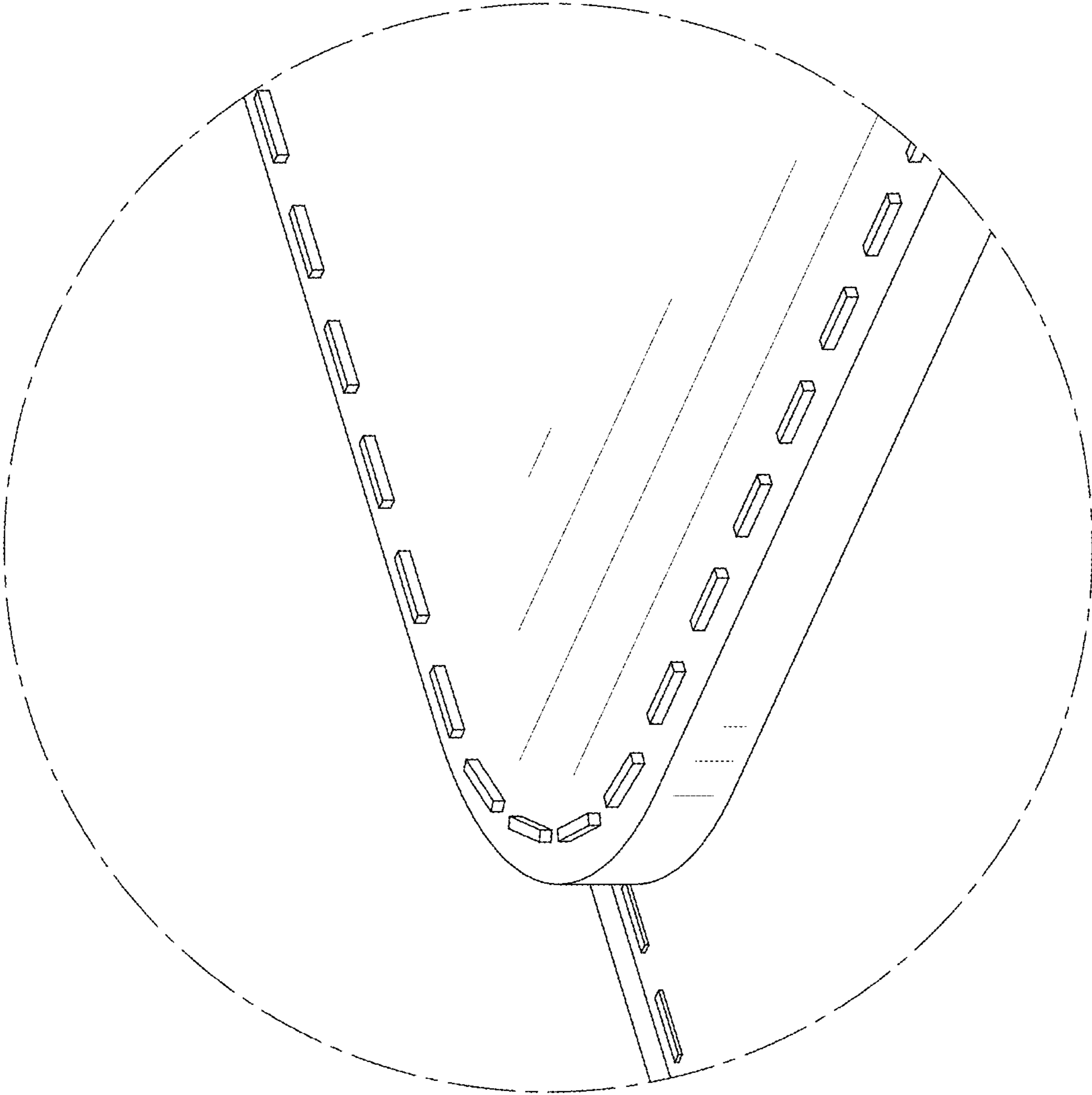


FIG. 9