



US00D880144S

(12) **United States Design Patent**
Nelson

(10) **Patent No.:** **US D880,144 S**
(45) **Date of Patent:** **** Apr. 7, 2020**

- (54) **WALKING AID**
- (71) Applicant: **Craig Nelson**, Seattle, WA (US)
- (72) Inventor: **Craig Nelson**, Seattle, WA (US)
- (**) Term: **15 Years**
- (21) Appl. No.: **29/710,031**
- (22) Filed: **Oct. 18, 2019**

4,253,479 A *	3/1981	Laurent	A45B 3/00 135/69
D261,199 S *	10/1981	Dockery	D3/7
D268,124 S *	3/1983	Dretzke	D21/725
D285,861 S *	9/1986	Jackson	D3/7
D290,784 S *	7/1987	Moshiri	D3/7
4,796,648 A *	1/1989	Goulter	A45B 9/00 135/65
4,958,650 A *	9/1990	Dale	A45B 9/00 135/65

(Continued)

Primary Examiner — Steven J Czyz

Related U.S. Application Data

- (62) Division of application No. 29/635,713, filed on Feb. 1, 2018.
- (51) **LOC (12) Cl.** **03-03**
- (52) **U.S. Cl.**
USPC **D3/7**
- (58) **Field of Classification Search**
USPC D3/5, 6, 7, 12, 16; D6/709, 712;
D21/725
CPC A45B 1/00; A45B 3/00; A45B 7/00; A45B
9/00; A45B 2009/005; A45B 2009/007;
A45B 2200/05; A45B 2200/055
See application file for complete search history.

(57) **CLAIM**

I claim the ornamental design for a walking aid, as shown and described.

DESCRIPTION

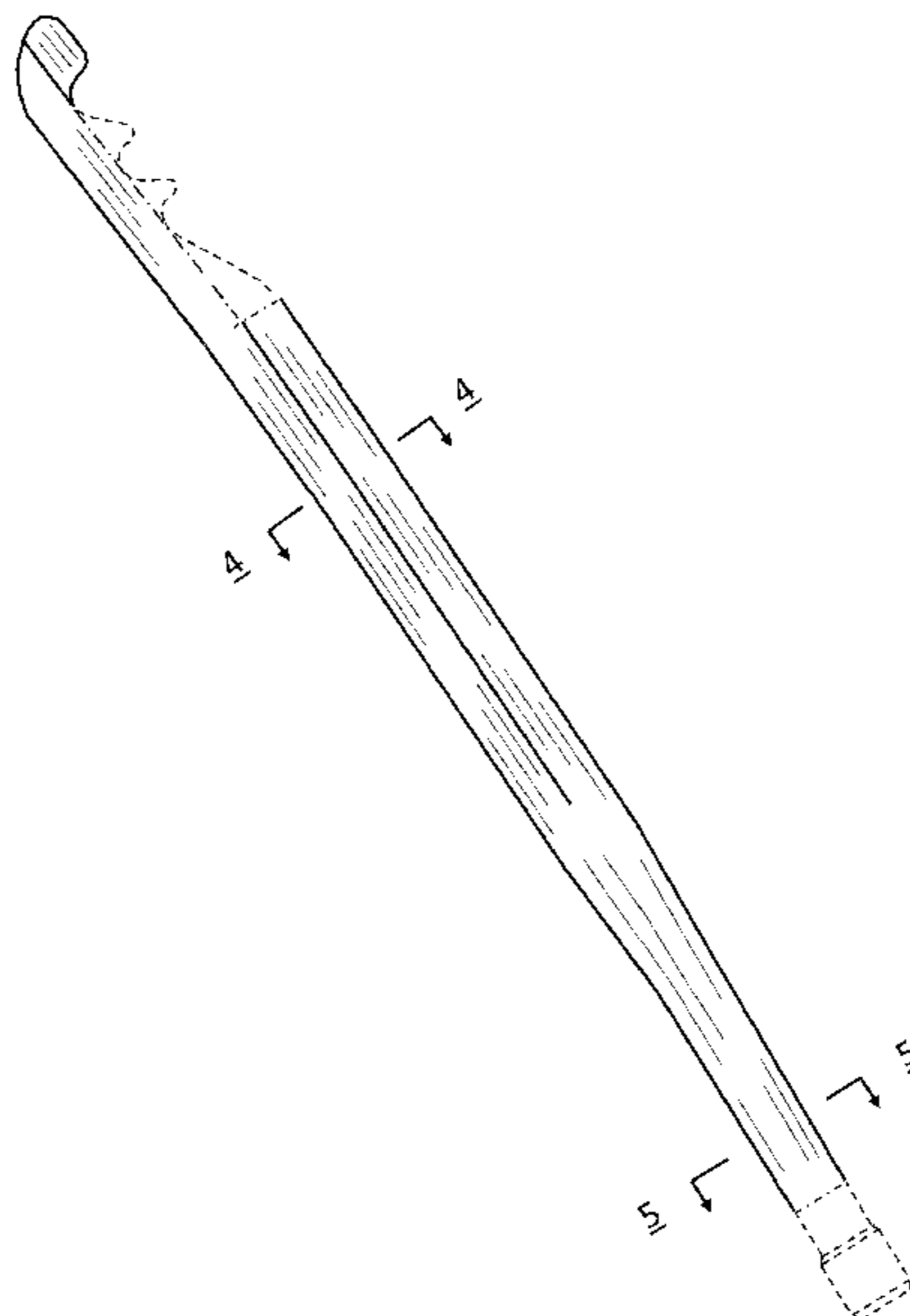
FIG. 1 is a bottom view of a walking aid;
 FIG. 2 is a top view thereof
 FIG. 3 is a left side view, with the right-side view being a mirror image thereof;
 FIG. 4 is a cross-sectional view taken along line 4-4 of FIG. 3
 FIG. 5 is a cross-sectional view taken along line 5-5 of FIG. 3
 FIG. 6 is a bottom view of a second embodiment of the walking aid
 FIG. 7 is a top view thereof
 FIG. 8 is a left side view, with the right-side view being a mirror image thereof;
 FIG. 9 is a cross-sectional view taken along line 9-9 of FIG. 8; and,
 FIG. 10 is a cross-sectional view taken along line 10-10 of FIG. 8.
 The dash-dash-dash broken lines depict portions of the article that form no part of the claimed design.
 The dot-dash-dot lines indicate the boundary of the claim and form no part of the claimed design.

(56) **References Cited**

U.S. PATENT DOCUMENTS

430,388 A *	6/1890	Kinst et al.	A63B 59/58 473/564
D49,909 S *	11/1916	Riegel et al.	D3/7
D83,952 S *	4/1931	Carley et al.	D3/7
1,959,169 A *	5/1934	Marinacci	A45B 3/00 446/81
2,435,650 A *	2/1948	Greene	A45B 3/04 362/102
D207,764 S *	5/1967	Lozo et al.	D3/7
4,106,521 A *	8/1978	Thomas	A61H 3/02 135/67
4,236,711 A *	12/1980	Klingbeil	A63J 21/00 135/74

1 Claim, 6 Drawing Sheets



(56)

References Cited

U.S. PATENT DOCUMENTS

D324,944 S *	3/1992	Stupak	D3/7	D627,414 S *	11/2010	Masuda	D21/725
D335,314 S *	5/1993	Coyle, Jr.	D21/725	D644,830 S *	9/2011	Jones	D3/7
D342,828 S *	1/1994	Steinbach	D3/7	D652,879 S *	1/2012	Vigness	D21/725
D450,440 S *	11/2001	Clarke	D3/6	8,517,555 B1 *	8/2013	LeJeune	F21V 33/0068 135/65
D457,414 S *	5/2002	Spångmyr	D15/142	D690,927 S *	10/2013	Jones	D3/7
6,488,042 B2 *	12/2002	Troyer	A45B 1/00 135/65	D698,691 S *	2/2014	Schmucker	D11/131
6,668,846 B2 *	12/2003	Meador	A45B 3/00 135/65	D699,938 S *	2/2014	Mayer	D3/7
D533,619 S *	12/2006	Kaloustian	D22/117	D714,407 S *	9/2014	Santorelli	D21/725
7,293,827 B2 *	11/2007	Schrader	A45B 3/00 135/66	9,016,297 B2 *	4/2015	Salomon	A45B 1/02 135/66
D560,261 S *	1/2008	Satloff	D21/725	9,044,072 B2 *	6/2015	Lindsay, Jr.	A45B 3/14
D594,222 S *	6/2009	Antrim	D3/7	D740,015 S *	10/2015	Berberian	D3/7
D595,501 S *	7/2009	Sawada	D3/11	D740,543 S *	10/2015	Winters	D3/5
D622,497 S *	8/2010	Branton	D3/7	D740,545 S *	10/2015	Brown	D3/7
D624,303 S *	9/2010	Jones	D3/7	D747,867 S *	1/2016	Woodall	D3/16
					D767,876 S *	10/2016	Elliott	D3/7
					9,706,818 B2 *	7/2017	Knopow	B29C 51/105
					9,930,941 B1 *	4/2018	Sarauer	A45B 3/02
					10,098,424 B1 *	10/2018	Husted	A45B 9/00

* cited by examiner

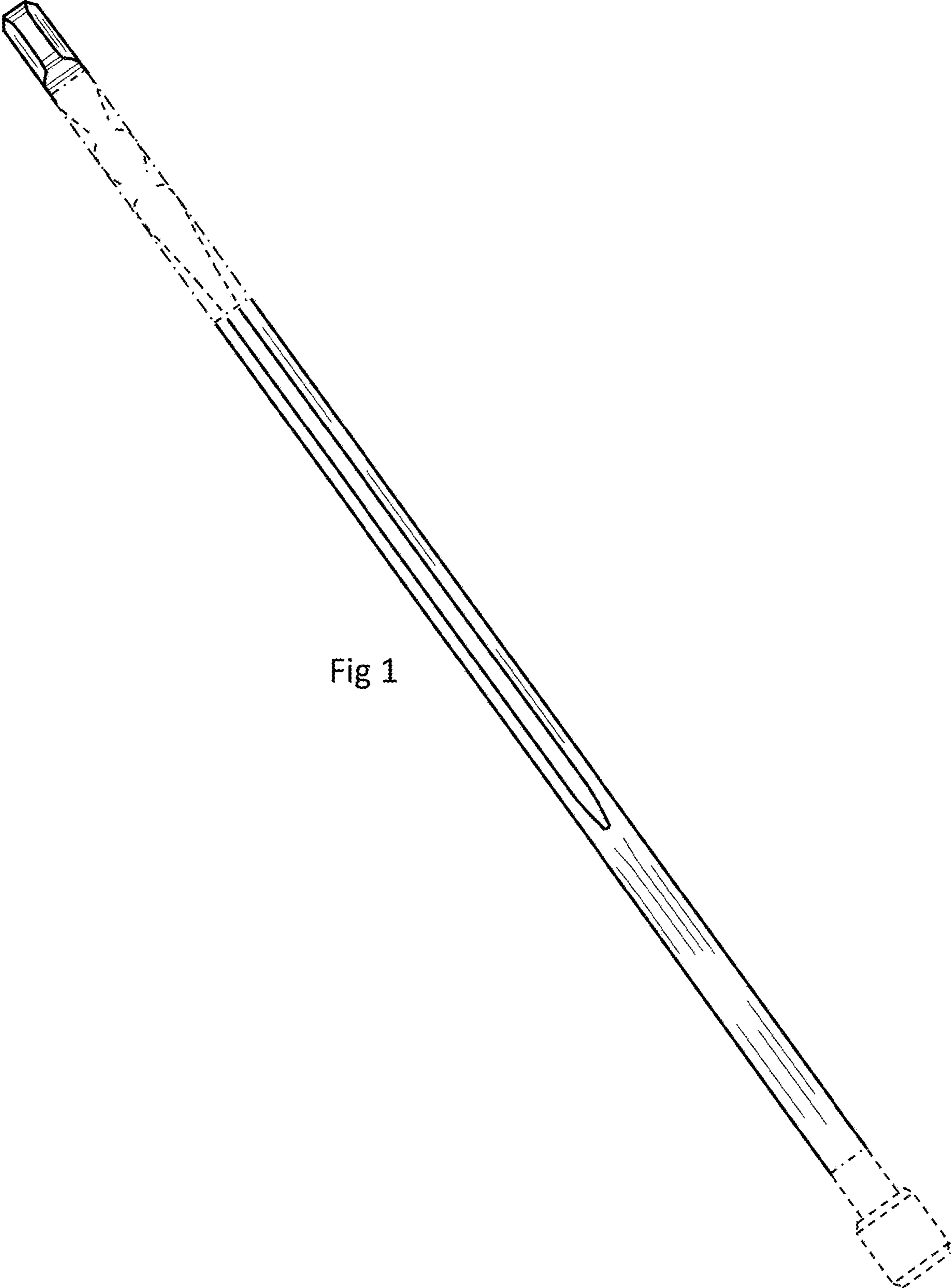


Fig 1

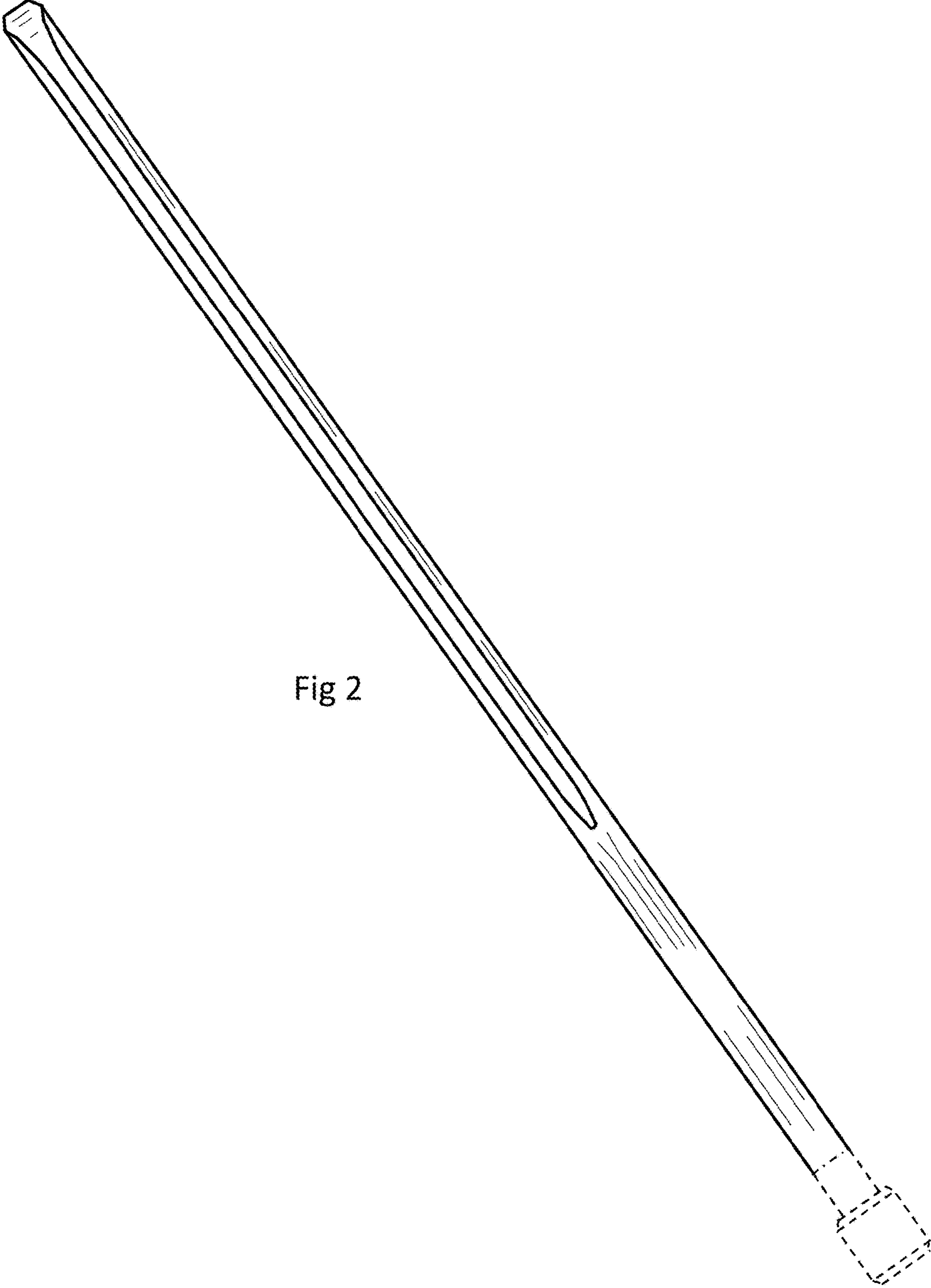


Fig 2

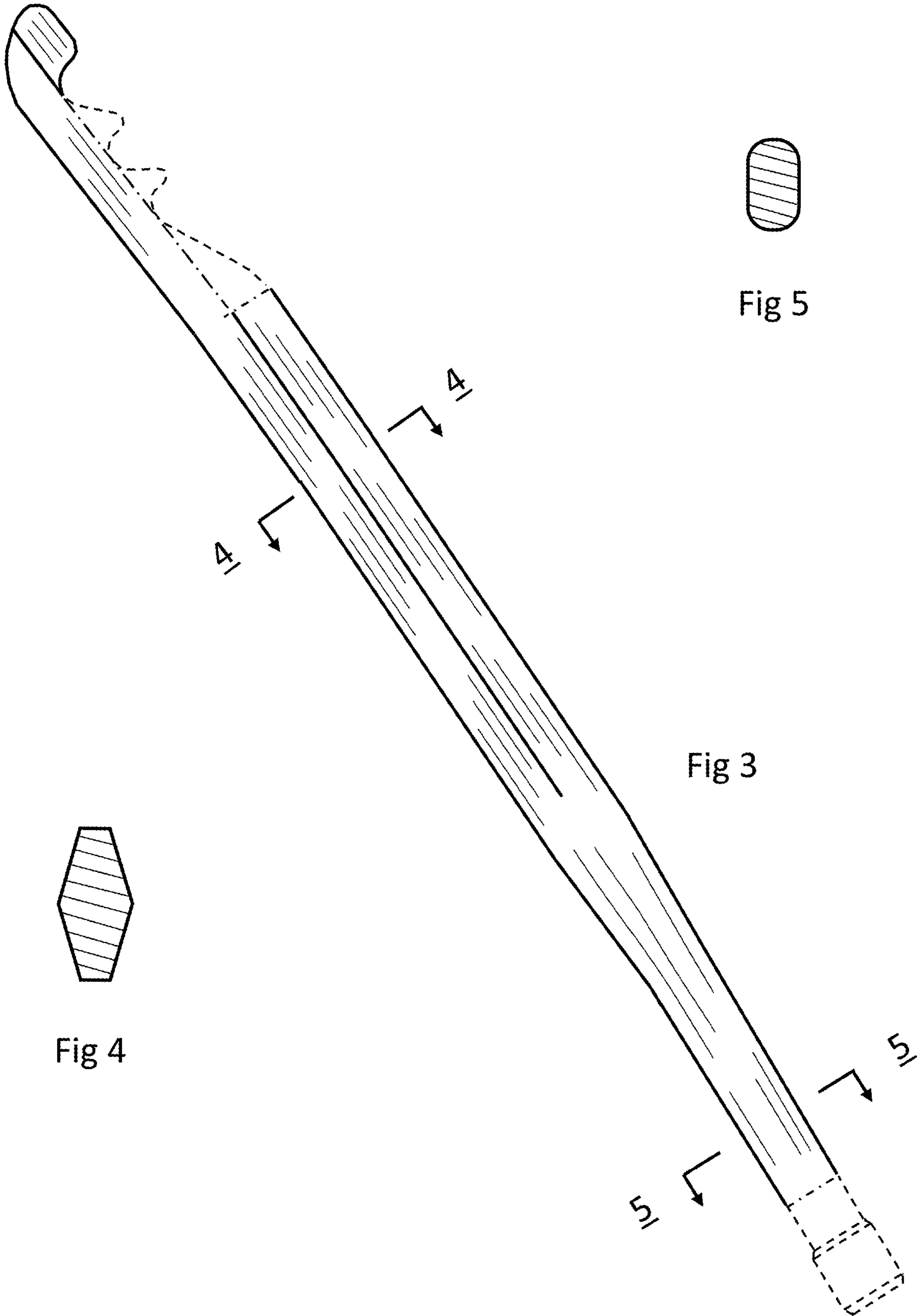


Fig 4

Fig 3

Fig 5

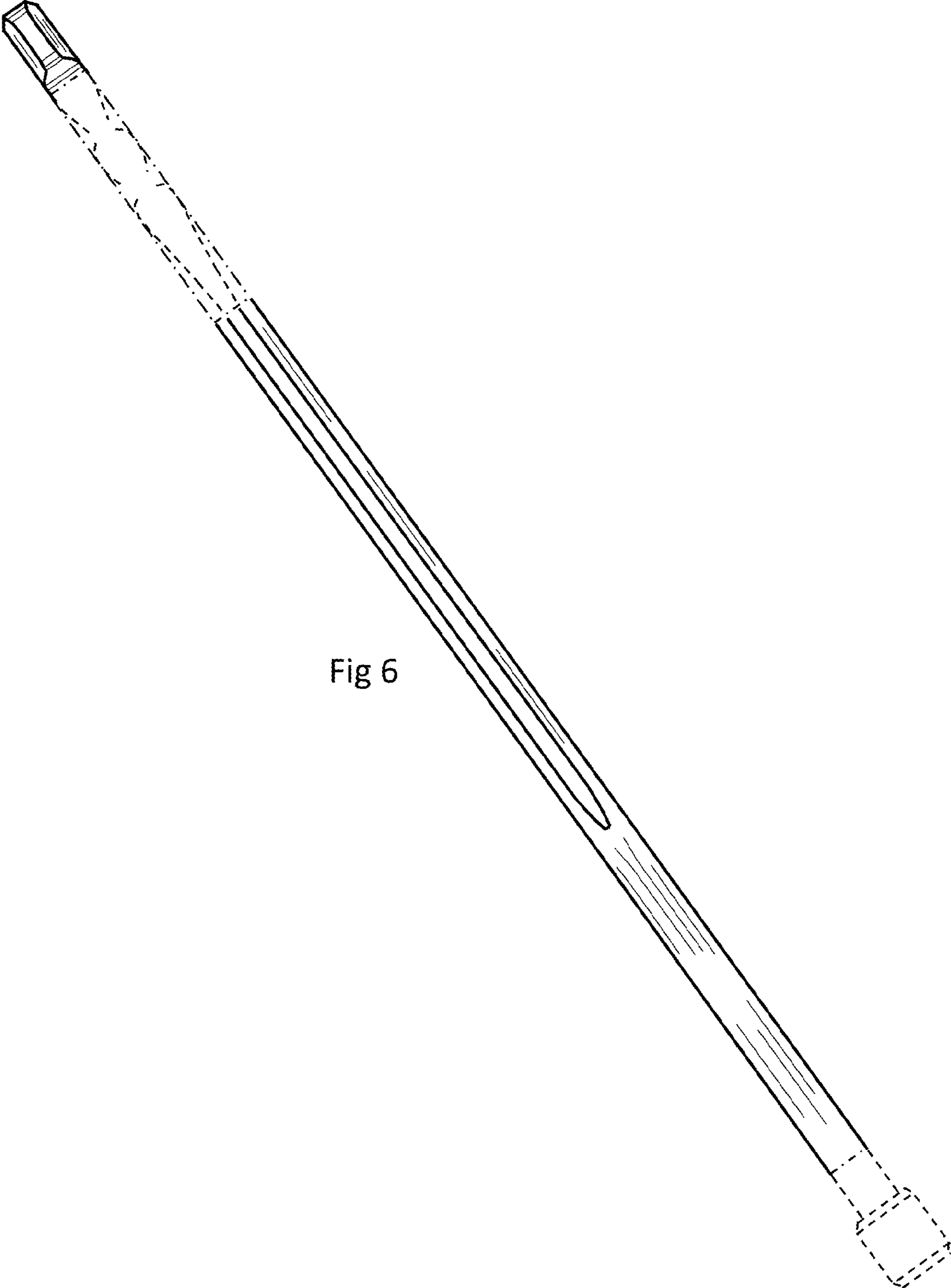


Fig 6

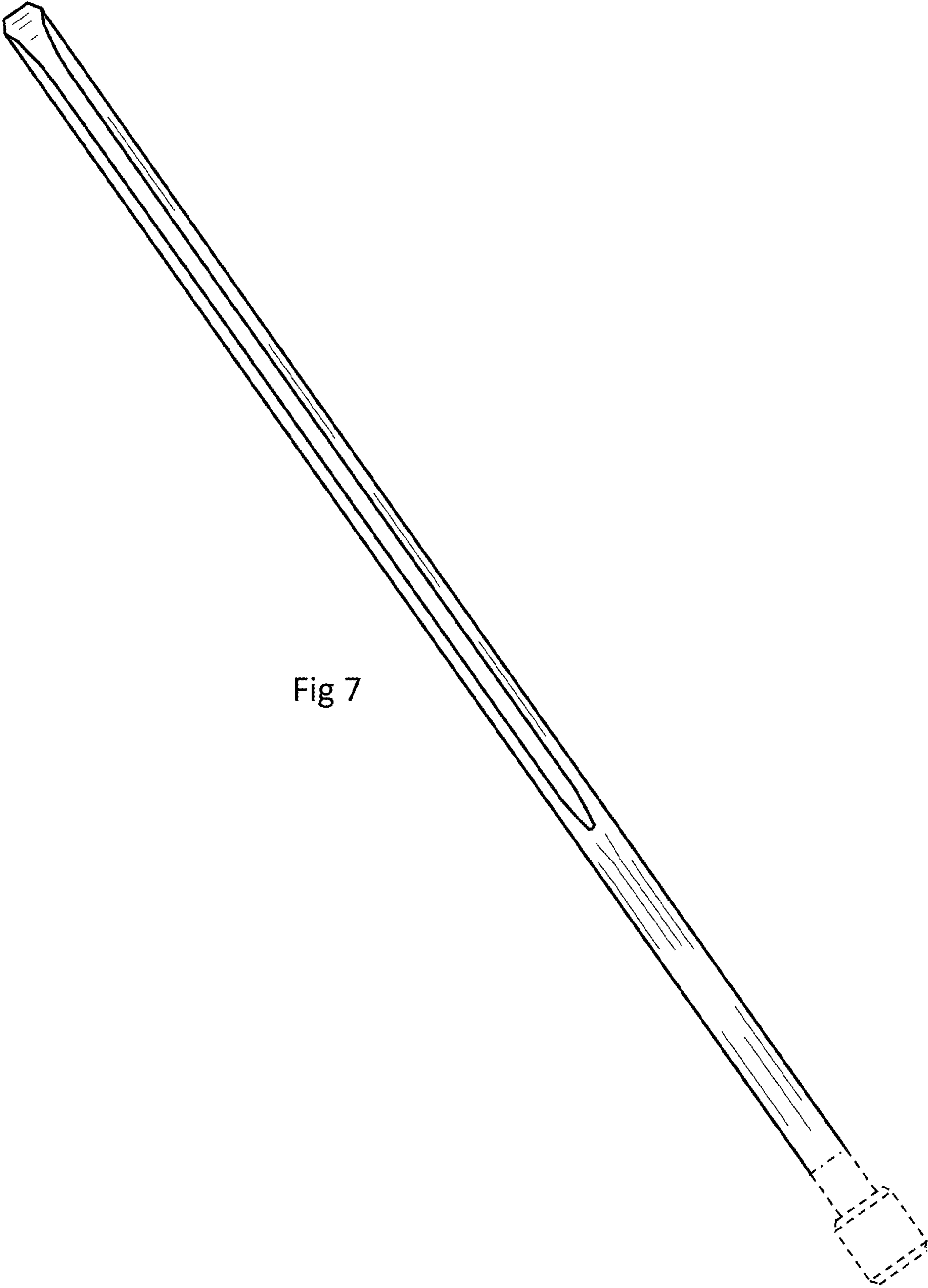


Fig 7

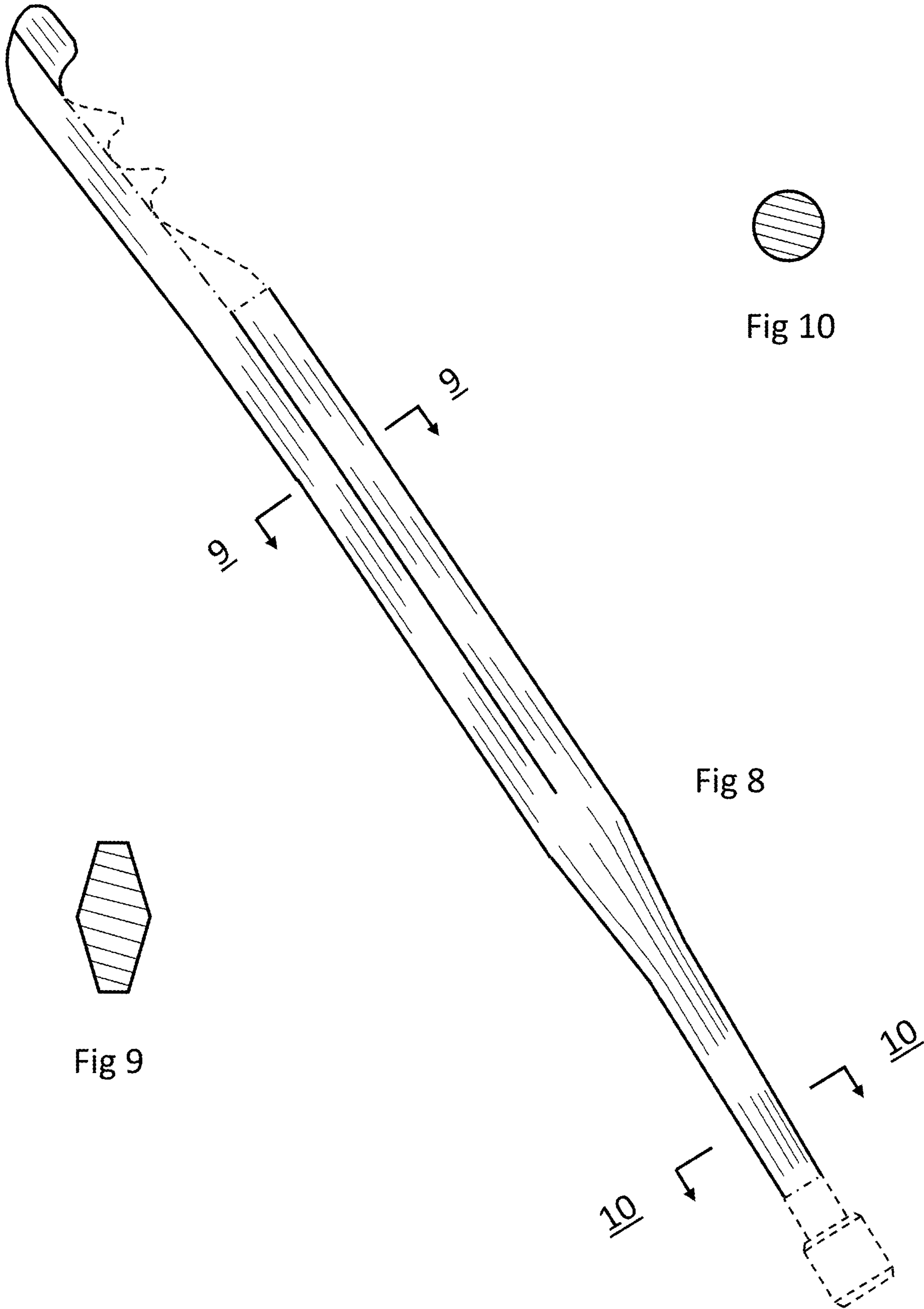


Fig 9

Fig 10

Fig 8