



US00D880136S

(12) **United States Design Patent**
Cristobal

(10) **Patent No.:** **US D880,136 S**
(45) **Date of Patent:** **** Apr. 7, 2020**

- (54) **SHOE**
- (71) Applicant: **NIKE, Inc.**, Beaverton, OR (US)
- (72) Inventor: **Stefan Cristobal**, Beaverton, OR (US)
- (73) Assignee: **NIKE, Inc.**, Beaverton, OR (US)
- (**) Term: **15 Years**
- (21) Appl. No.: **29/666,825**
- (22) Filed: **Oct. 16, 2018**
- (51) **LOC (12) Cl.** **02-99**
- (52) **U.S. Cl.**
USPC **D2/972**
- (58) **Field of Classification Search**
USPC D2/896, 902, 906-908, 946, 947, 969,
D2/972, 973, 974, 976
CPC A43B 5/00; A43B 13/181; A43B 13/141;
A43B 23/26; A43B 13/188; A43B 23/00
See application file for complete search history.

D783,976 S 4/2017 Kirschner
D796,822 S 9/2017 Kuerbis
D814,779 S 4/2018 Goto

OTHER PUBLICATIONS

Oketo posted by Nike posted date Feb. 15, 2019, © Amazon, [online], [site visited Jan. 19, 2020]. Available from Internet, https://www.amazon.com/Nike-Womens-Oketo-Sneaker-Regular/dp/B07HKT8G43/ref=sr_1_30?dchild=1&keywords=nike+sneakers&qid=1579495551&sr=8-30 (Year: 2019).*

Air Jordan Golf Shoes posted by Mario Briguglio posted date Feb. 1, 2018, © Sneaker Bar Detroit, [online], [site visited Jan. 19, 2020]. Available from Internet, <https://sneakerbardetroit.com/air-jordan-3-golf-shoes-white-cement-bronze/> (Year: 2018).*

Jordan ADG posted by Nike posted date Sep. 30, 2019, © Amazon, [online], [site visited Jan. 19, 2020]. Available from Internet, https://www.amazon.com/Nike-Jordan-Mens-Ar7995-002-Size/dp/B07YLDBJNL/ref=sr_1_3?dchild=1&keywords=Jordan%2BADG&qid=1579498010&sr=8-3&th=1 (Year: 2019).*

(Continued)

Primary Examiner — Michael C Stout
Assistant Examiner — Laura H Yu
(74) *Attorney, Agent, or Firm* — Banner & Witcoff, Ltd.

(56) **References Cited**

U.S. PATENT DOCUMENTS

D261,325 S *	10/1981	Niro	D2/897
D307,350 S *	4/1990	Brown	D2/970
D424,292 S *	5/2000	Besanceney, III	D2/902
D441,175 S *	5/2001	Ritter	D2/902
D467,062 S *	12/2002	Delgorgue	D2/972
D485,976 S *	2/2004	Maatita	D2/973
D487,186 S *	3/2004	Maatita	D2/972
D487,337 S *	3/2004	Rogers	D2/969
D508,767 S *	8/2005	Hatfield	D2/972
D513,555 S *	1/2006	Le	D2/969
D548,444 S *	8/2007	Covatch	D2/946
D598,186 S *	8/2009	Lamont	D2/969
D598,189 S *	8/2009	Lamont	D2/969
D663,932 S *	7/2012	Bacon	D2/906
D671,718 S *	12/2012	McVicker	D2/908
D737,040 S	8/2015	Pauk		
D770,752 S	11/2016	McMillan		

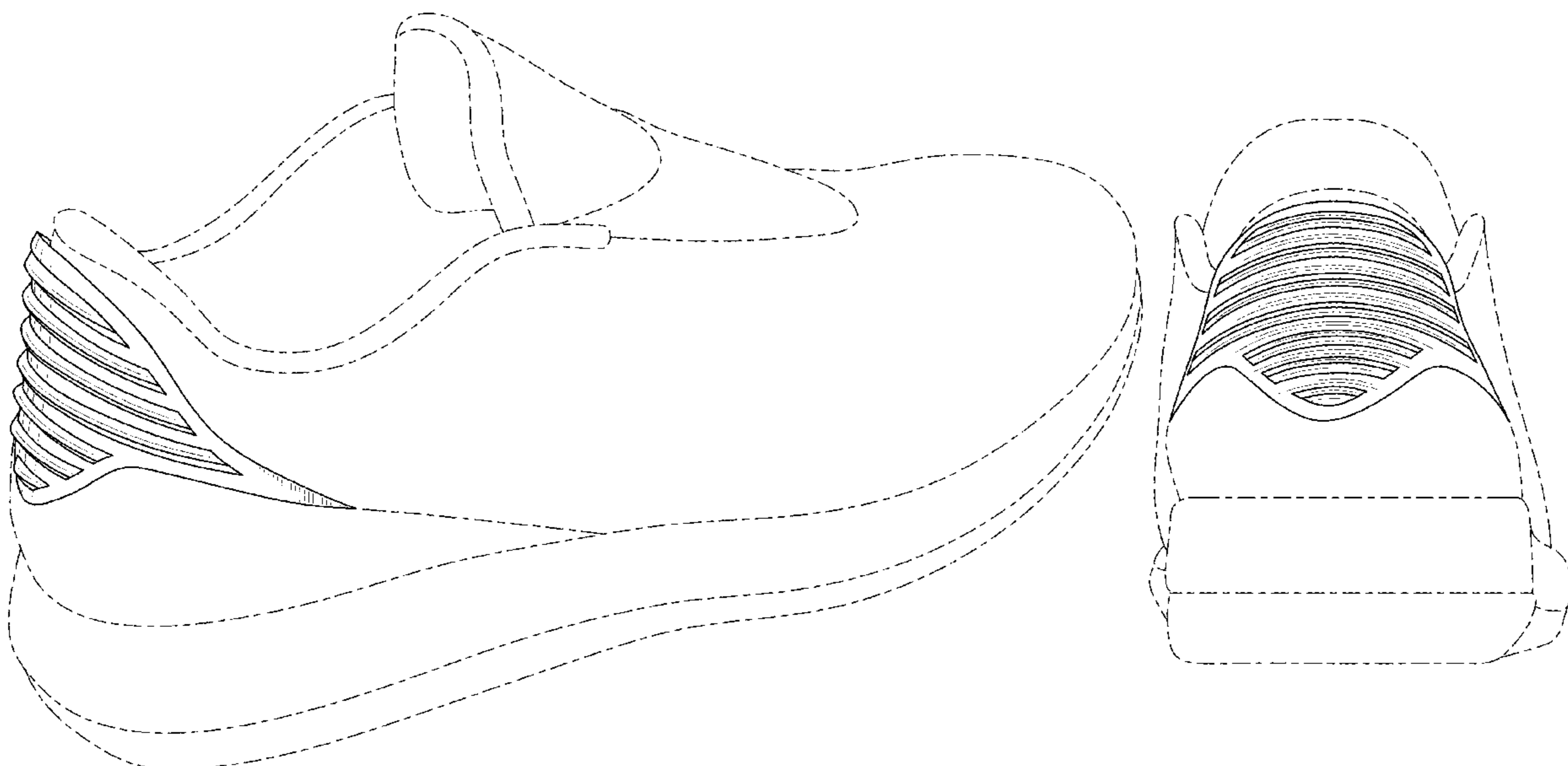
(57) **CLAIM**

The ornamental design for a shoe, as shown and described.

DESCRIPTION

FIG. 1 is a rear perspective view of a shoe showing my new design;
FIG. 2 is a side view thereof;
FIG. 3 is an opposite side view thereof;
FIG. 4 is a second rear perspective view thereof; and,
FIG. 5 is a rear view thereof.
The broken lines depicting the remainder of the shoe show features that form no part of the claimed design.

1 Claim, 5 Drawing Sheets



(56)

References Cited

OTHER PUBLICATIONS

Air Jordan 3 "True Blue" Official Images [online], [retrieved Nov. 1, 2018] retrieved from internet <URL: <<https://sneakernews.com/2016/11/17/jordan-3-true-blue-official-images/>>>; 8 color sheets, Dated Nov. 17, 2016.

2017 Air Jordan x Max Atmos Pack [online], [retrieved Nov. 1, 2018] retrieved from internet <URL: <<https://www.8and9.com/blogs/streetwear-news/2017-air-jordan-x-max-atmos-pack>>>; 10 color sheets, Dated Mar. 8, 2017.

* cited by examiner

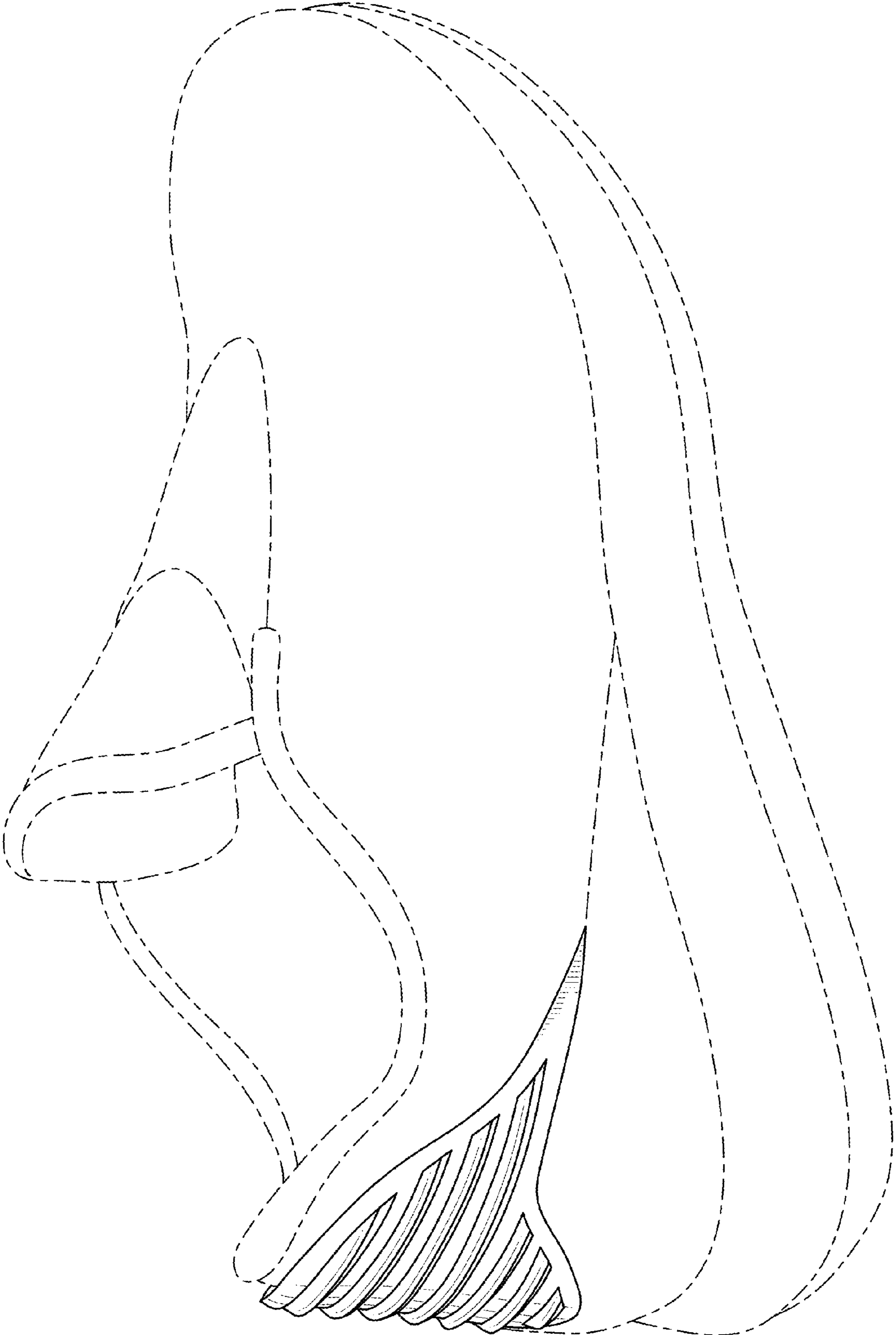


FIG. 1

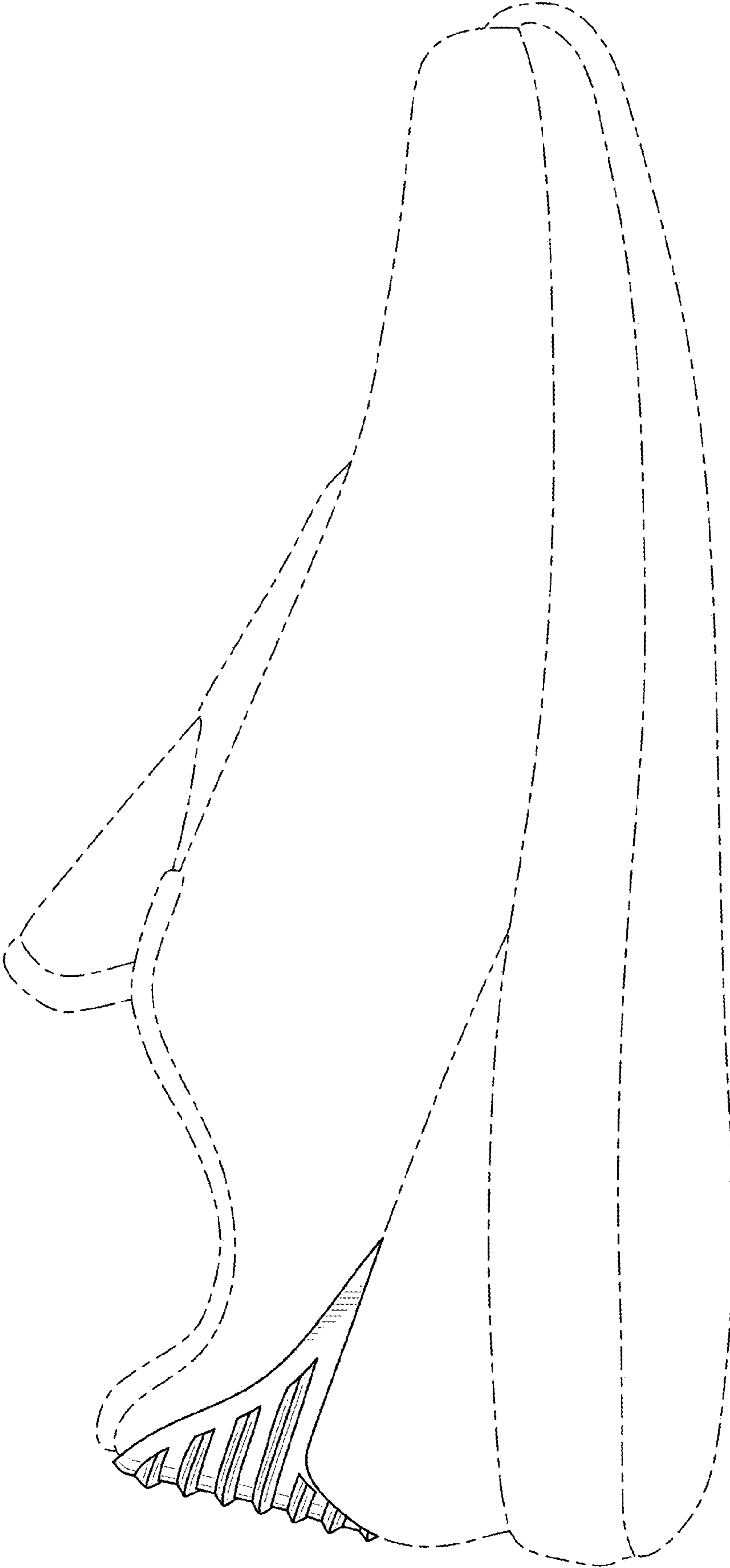


FIG. 2

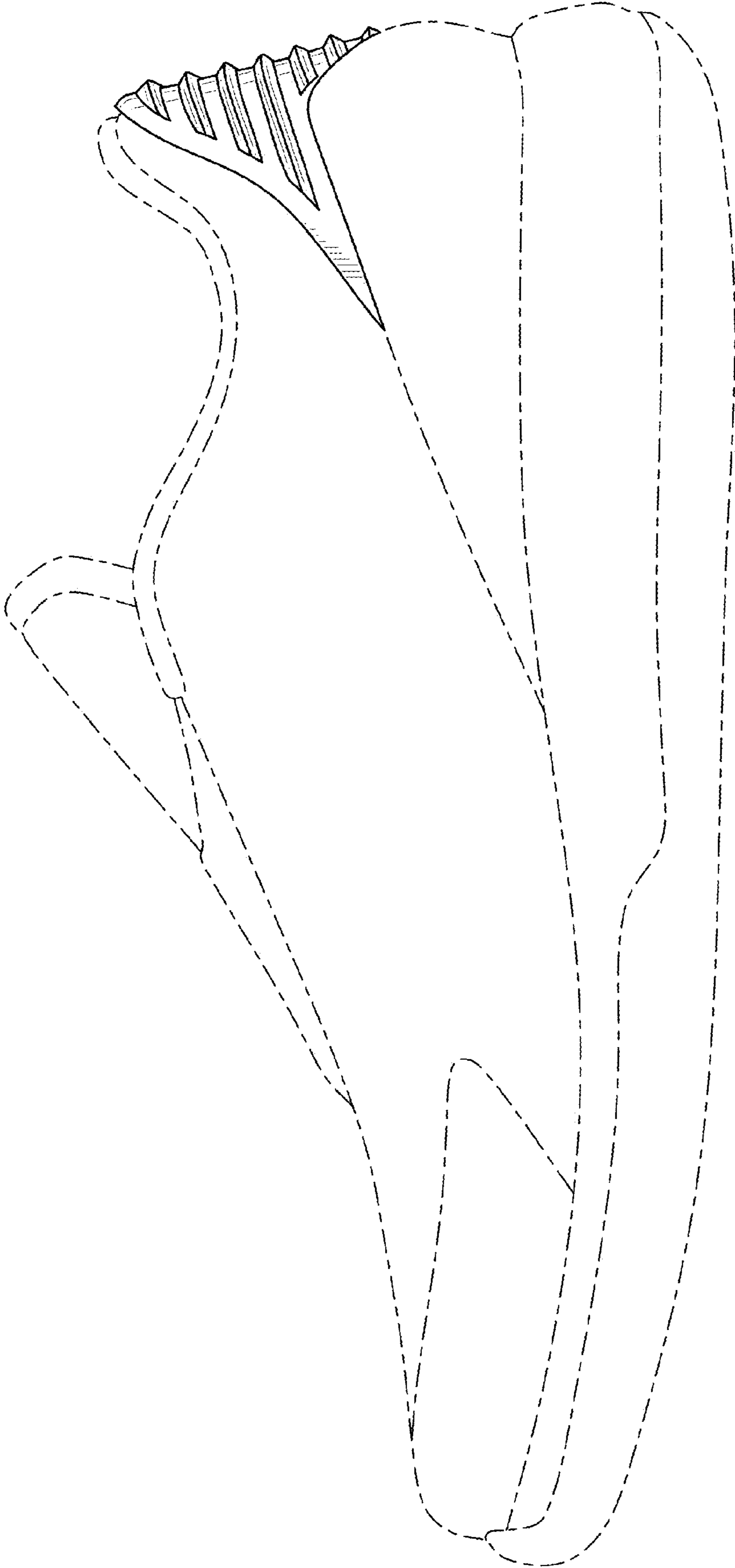


FIG. 3

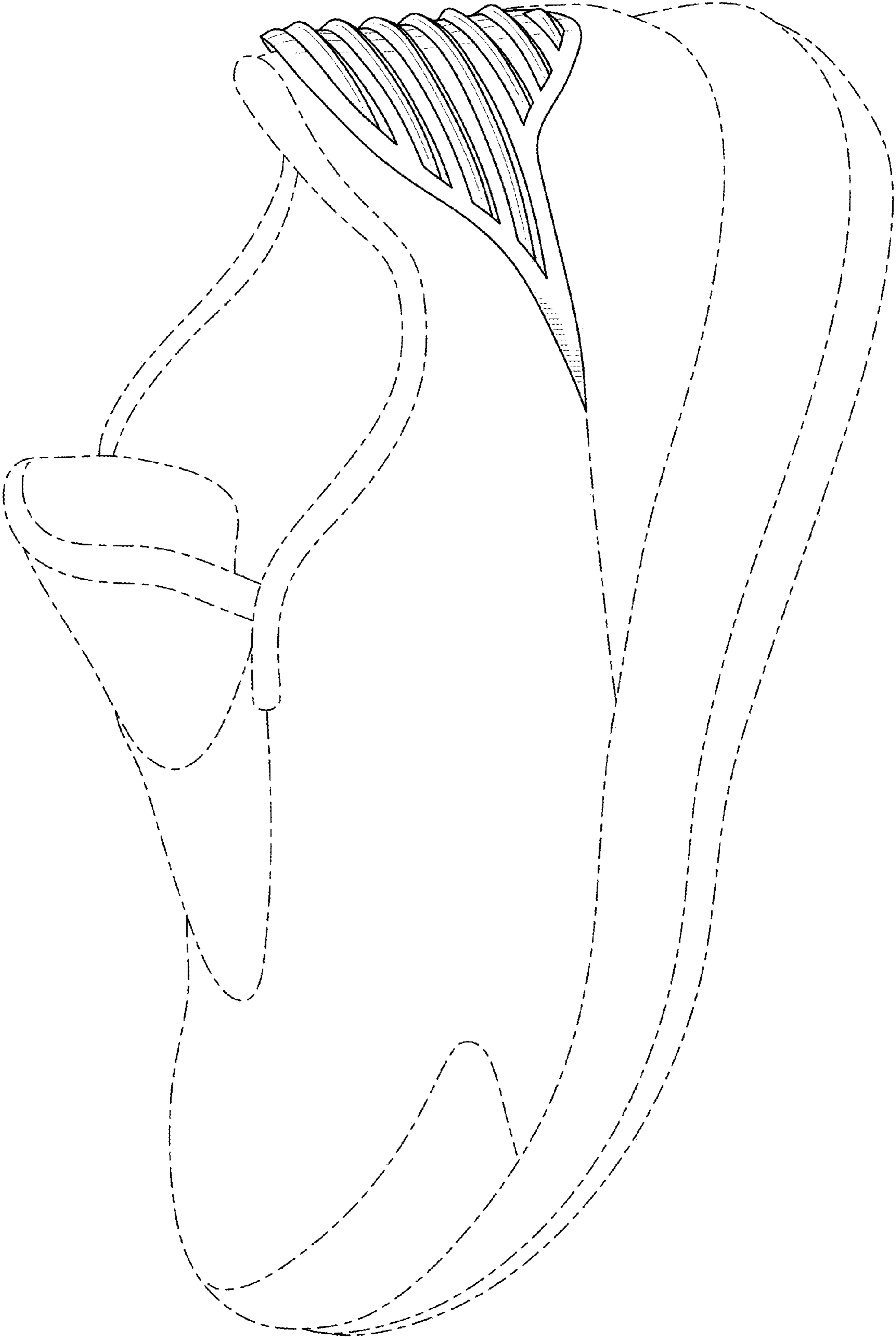


FIG. 4

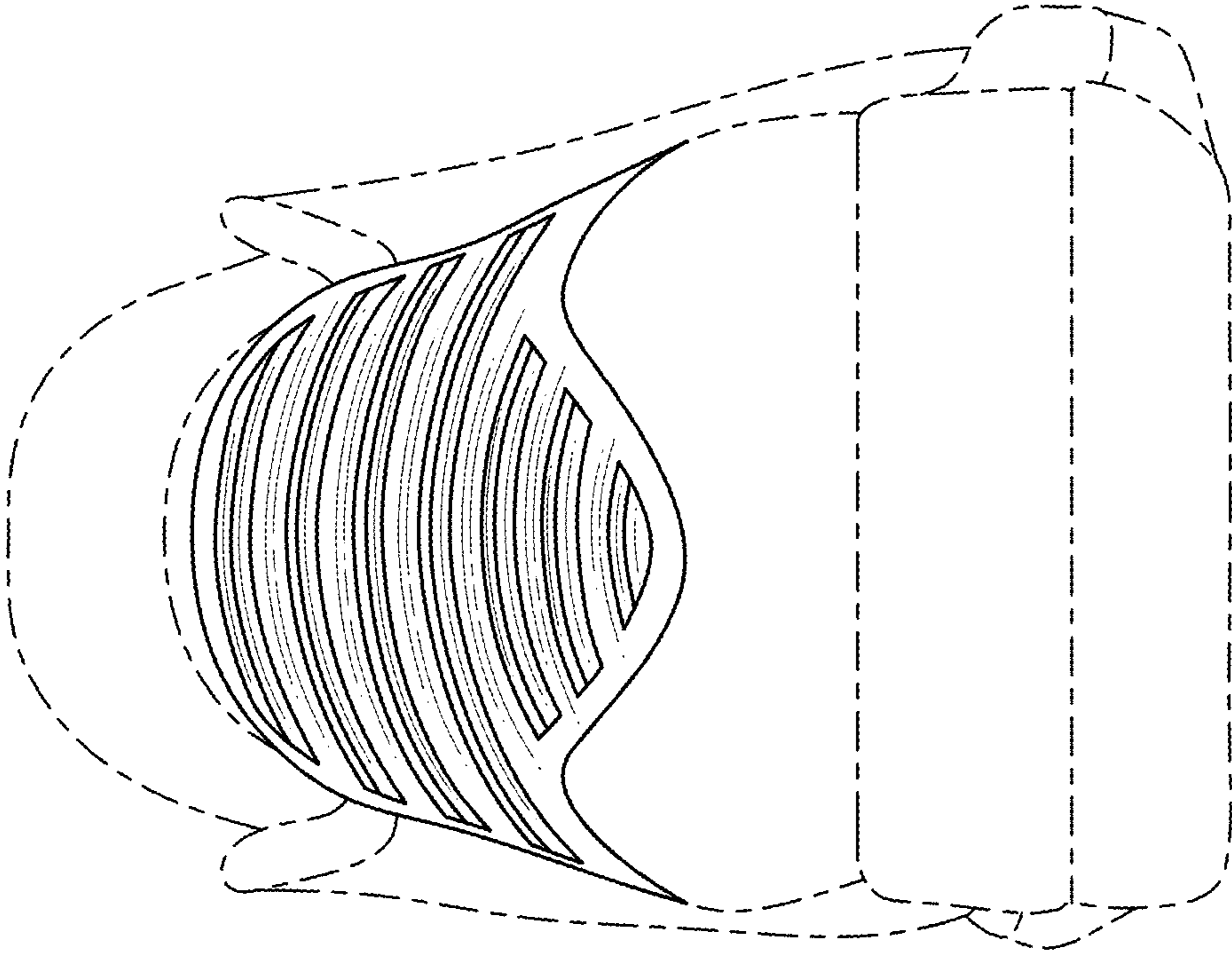


FIG. 5