



US00D880111S

(12) **United States Design Patent**
Glickfield

(10) **Patent No.:** **US D880,111 S**

(45) **Date of Patent:** **** Apr. 7, 2020**

(54) **GARMENT SUPPORTER**

(71) Applicant: **Adam S Glickfield**, Miami Beach, FL
(US)

(72) Inventor: **Adam S Glickfield**, Miami Beach, FL
(US)

(**) Term: **15 Years**

(21) Appl. No.: **29/673,462**

(22) Filed: **Dec. 14, 2018**

5,970,526 A * 10/1999 Weathers A41F 9/002
2/311
7,937,776 B1 * 5/2011 Anderson A41F 9/002
2/237
D676,627 S * 2/2013 Doss A41F 9/002
D2/624

(Continued)

Primary Examiner — Kevin K Rudzinski

Assistant Examiner — Clare Ann Gannon

(57) **CLAIM**

The ornamental design for the garment supporter, as shown and described.

DESCRIPTION

FIG. 1 is a top perspective view of a garment supporter showing my new design, in accordance to its flattened, buckled configuration;
FIG. 2 is a bottom perspective view thereof;
FIG. 3 is a rear perspective view thereof;
FIG. 4 is a front elevational view thereof;
FIG. 5 is a rear elevational view thereof;
FIG. 6 is a left elevational view thereof;
FIG. 7 is a right elevational view thereof;
FIG. 8 is a top plan view thereof;
FIG. 9 is a bottom plan view thereof;
FIG. 10 is a front perspective view thereof, shown in a released configuration;
FIG. 11 is an enlarged detail view thereof, depicting area 11 in FIG. 1;
FIG. 12 is an enlarged detail view thereof, depicting area 12 in FIG. 6;
FIG. 13 is an enlarged detail view thereof, depicting area 13 in FIG. 7;
FIG. 14 is an enlarged detail view thereof, depicting the area 14 in FIG. 8;
FIG. 15 is an enlarged detail view thereof, depicting the area 15 in FIG. 8; and,
FIG. 16 is an enlarged detail view thereof, depicting the area 16 in FIG. 9.

Related U.S. Application Data

(63) Continuation-in-part of application No. 29/673,454, filed on Dec. 14, 2018.

(51) **LOC (12) Cl.** **02-07**

(52) **U.S. Cl.**
USPC **D2/624**

(58) **Field of Classification Search**

USPC D2/500, 624–629, 631, 639, 959;
D3/224, 226; D11/3, 5; D21/662, 692;
D24/190; D29/101.1, 101.3, 101.5;
D30/152

CPC .. A41F 9/002; A44C 5/0053; A45F 2003/006;
B60R 2022/06; B60R 22/00

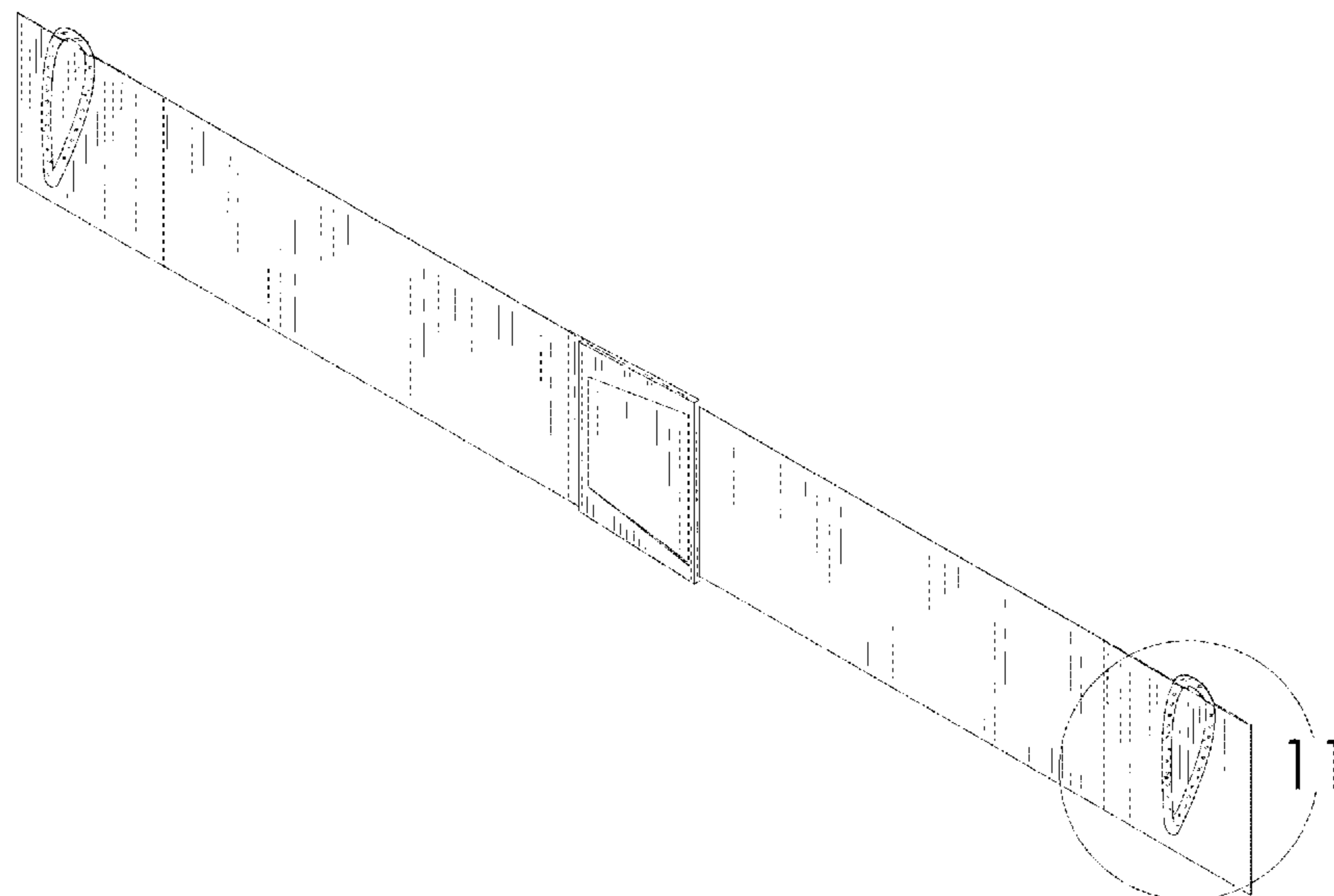
See application file for complete search history.

(56) **References Cited**

U.S. PATENT DOCUMENTS

946,656 A * 1/1910 Cole A41F 9/002
2/338
2,924,827 A * 2/1960 Stollman A44B 11/003
2/311
3,001,204 A * 9/1961 Harrison A41F 9/025
2/309
3,721,216 A * 3/1973 Lippe A01K 27/00
482/81

1 Claim, 16 Drawing Sheets



(56)

References Cited

U.S. PATENT DOCUMENTS

D818,667 S * 5/2018 Pelengaris A01K 27/00
D2/627
2010/0162468 A1* 7/2010 Hanson A41F 9/002
2/338
2013/0025027 A1* 1/2013 Spence A41D 1/06
2/227
2015/0272249 A1* 10/2015 Glenn A41F 9/002
2/338

* cited by examiner

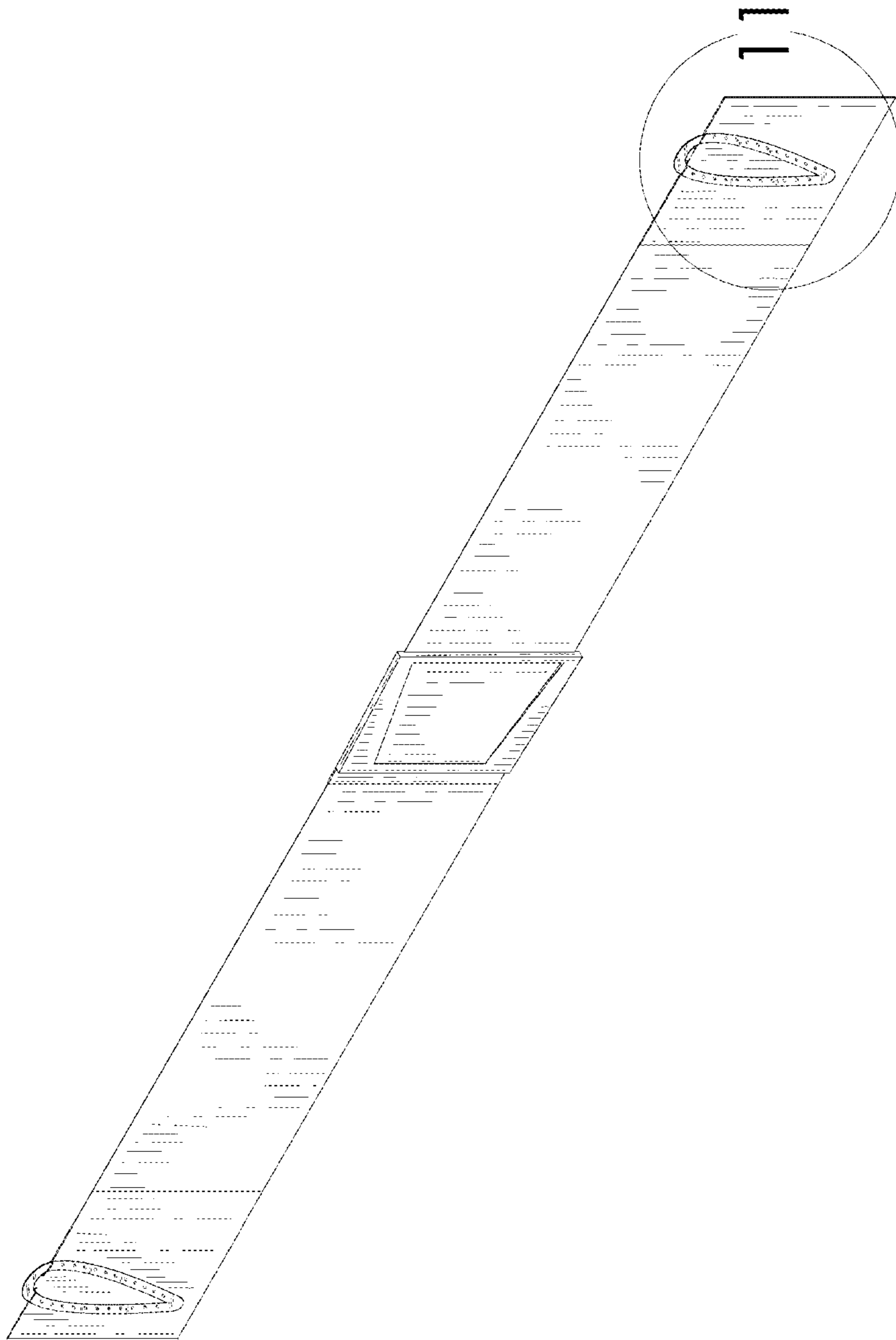


FIG. 1

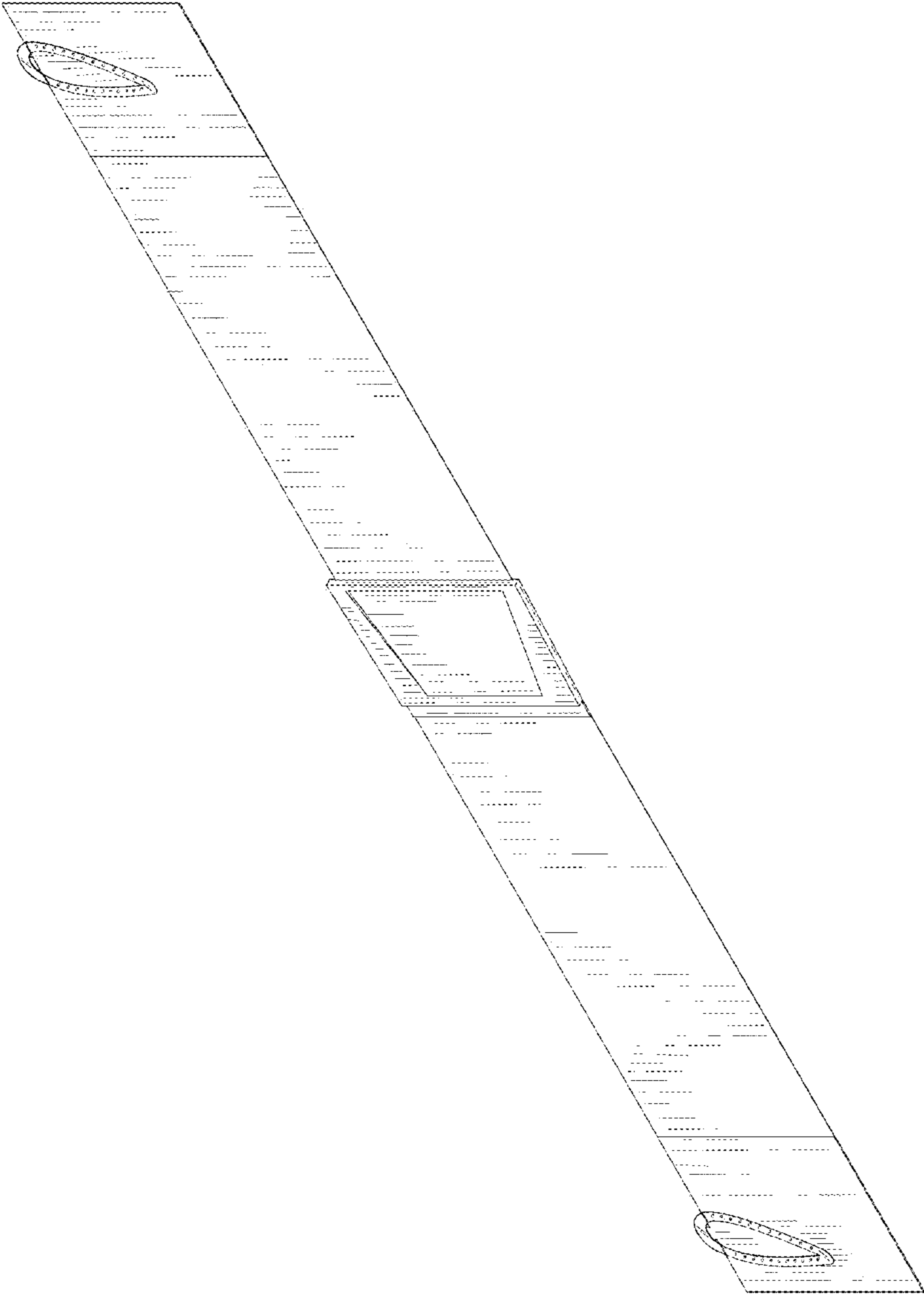


FIG. 2

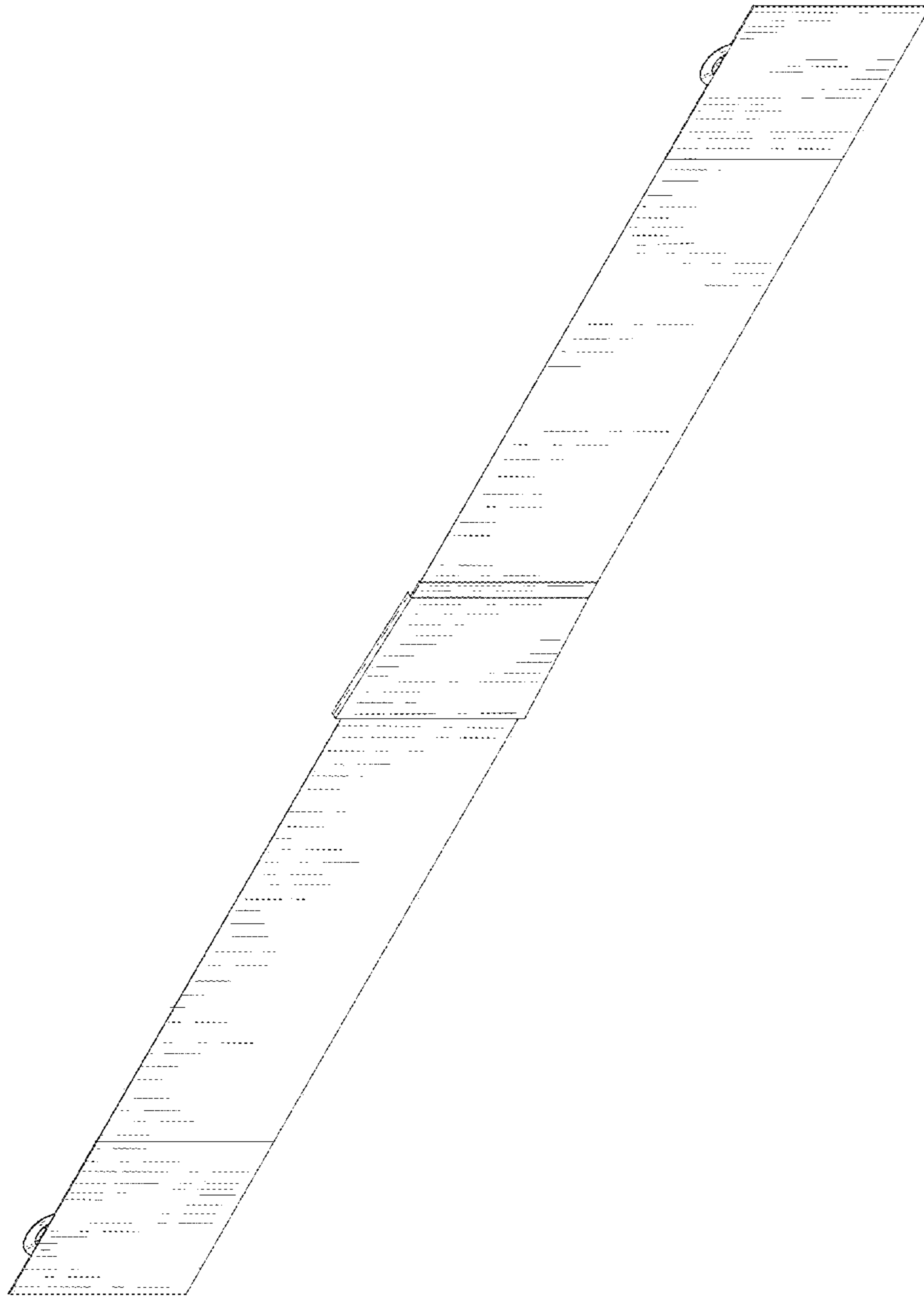


FIG. 3

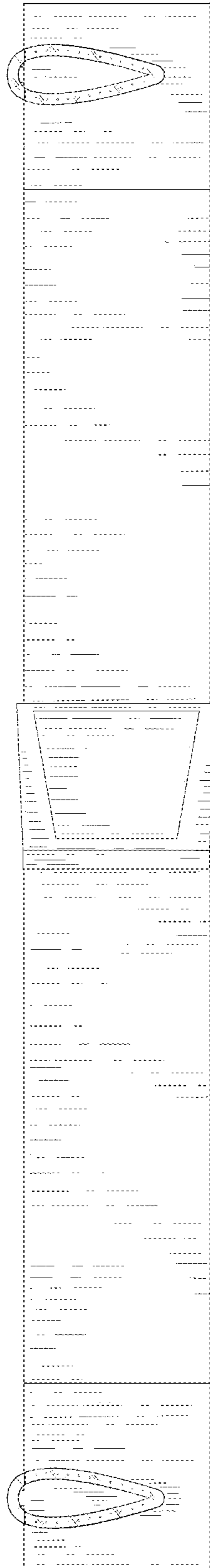


FIG. 4

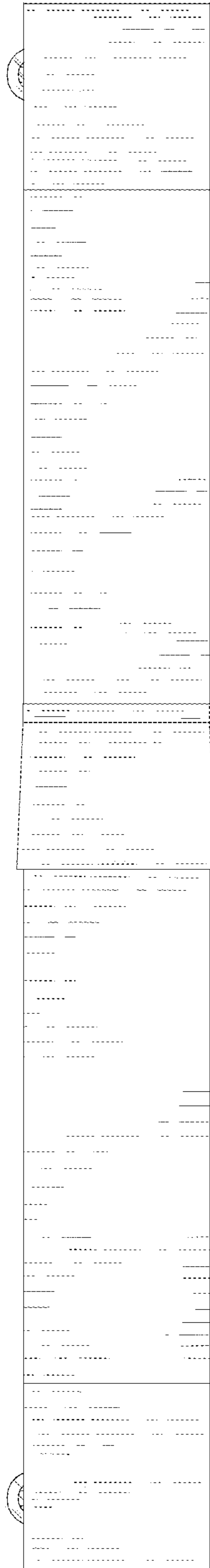


FIG. 5

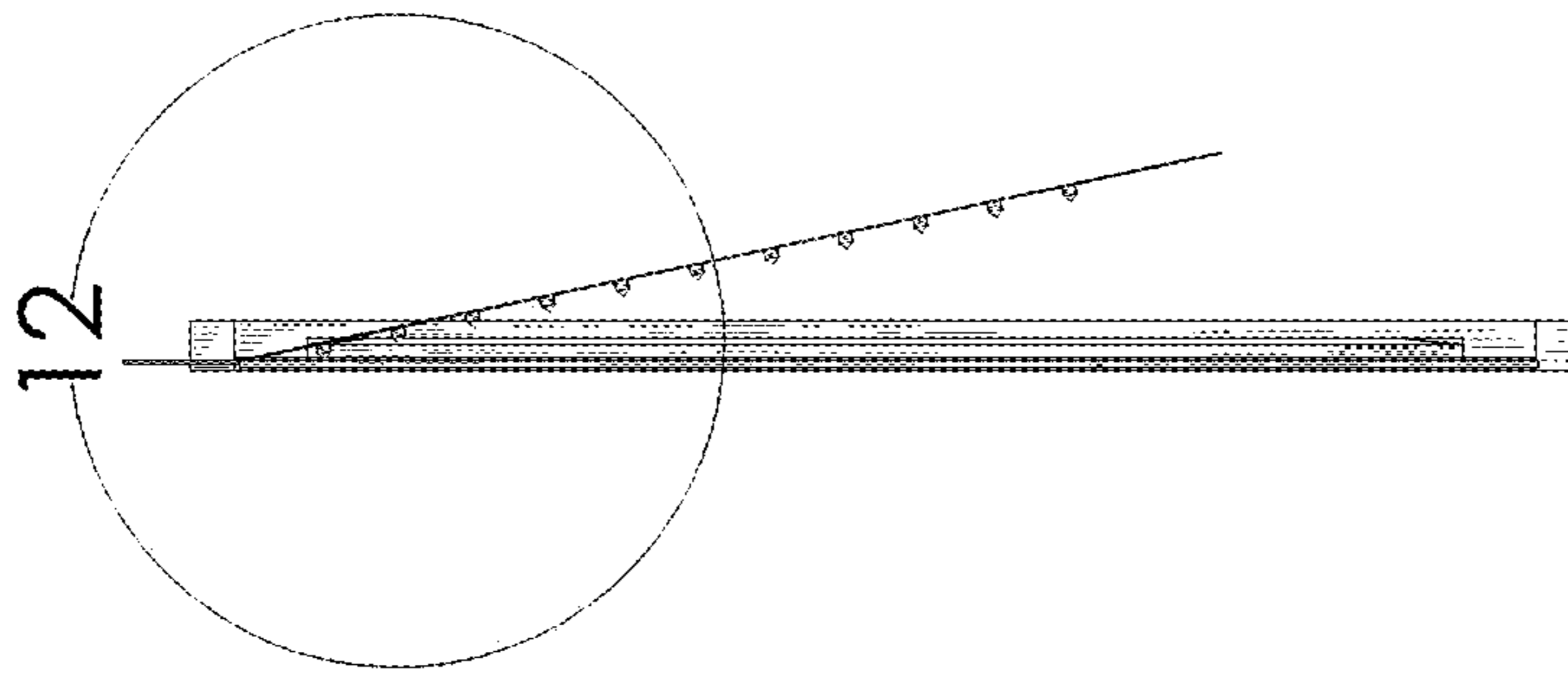


FIG. 6

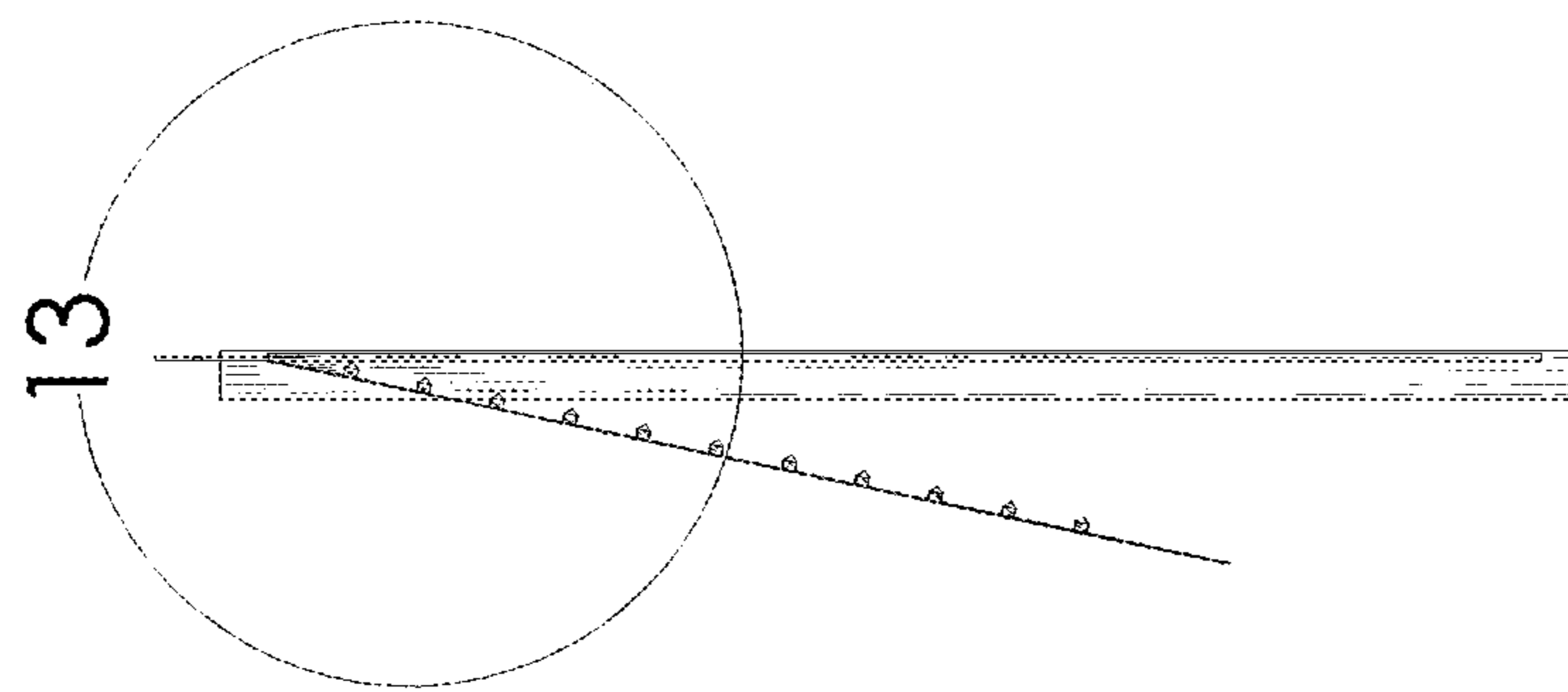


FIG. 7

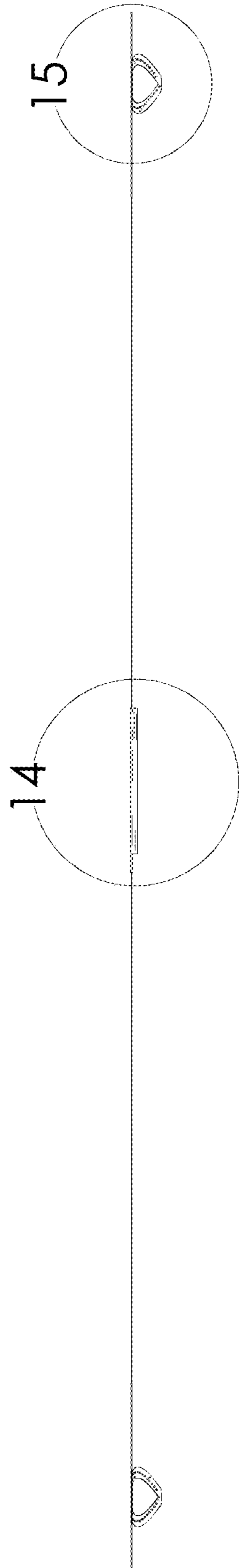


FIG. 8

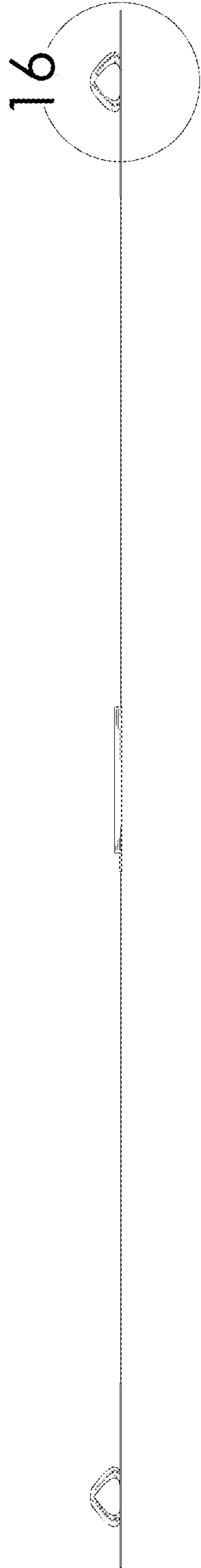


FIG. 9

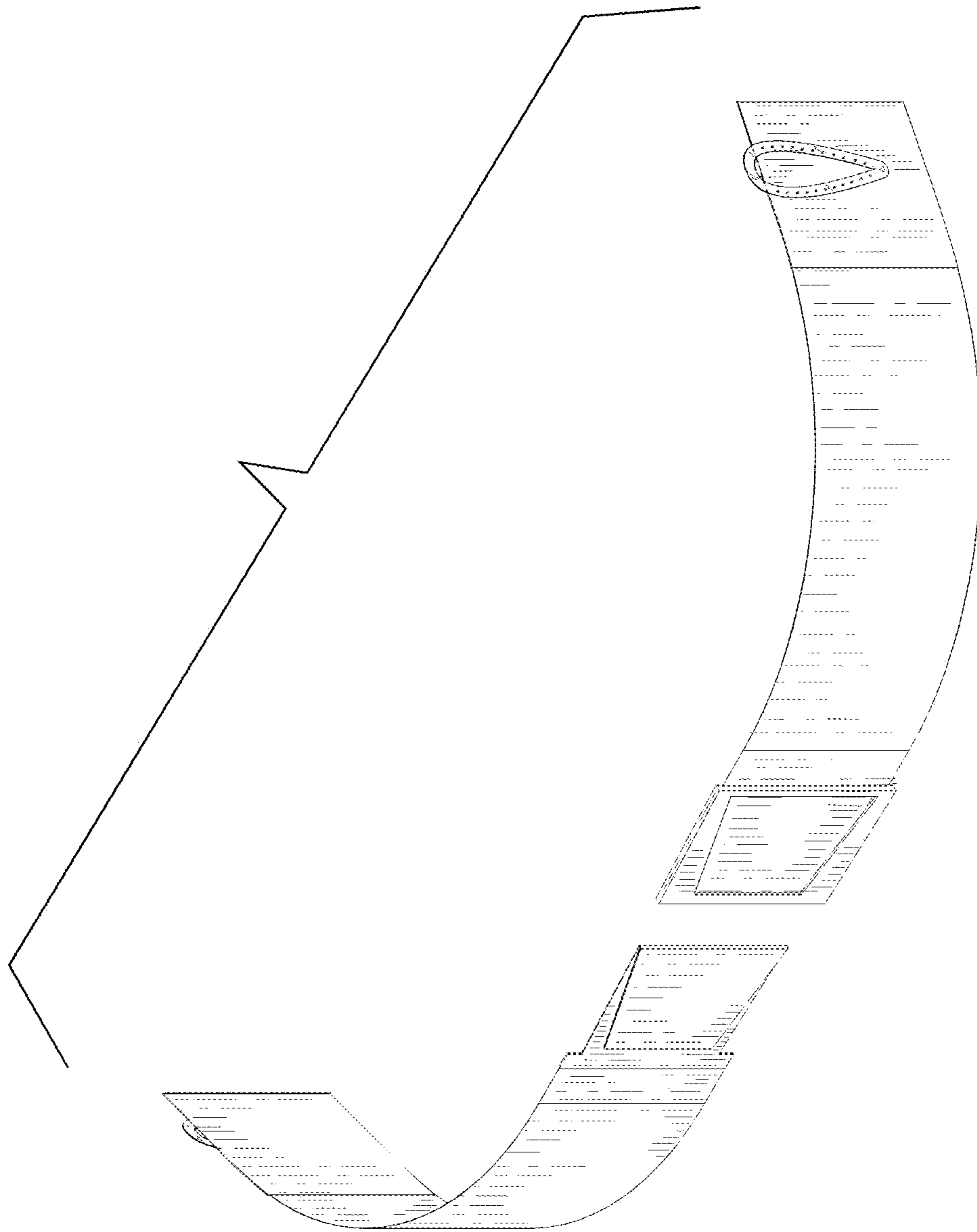


FIG. 10

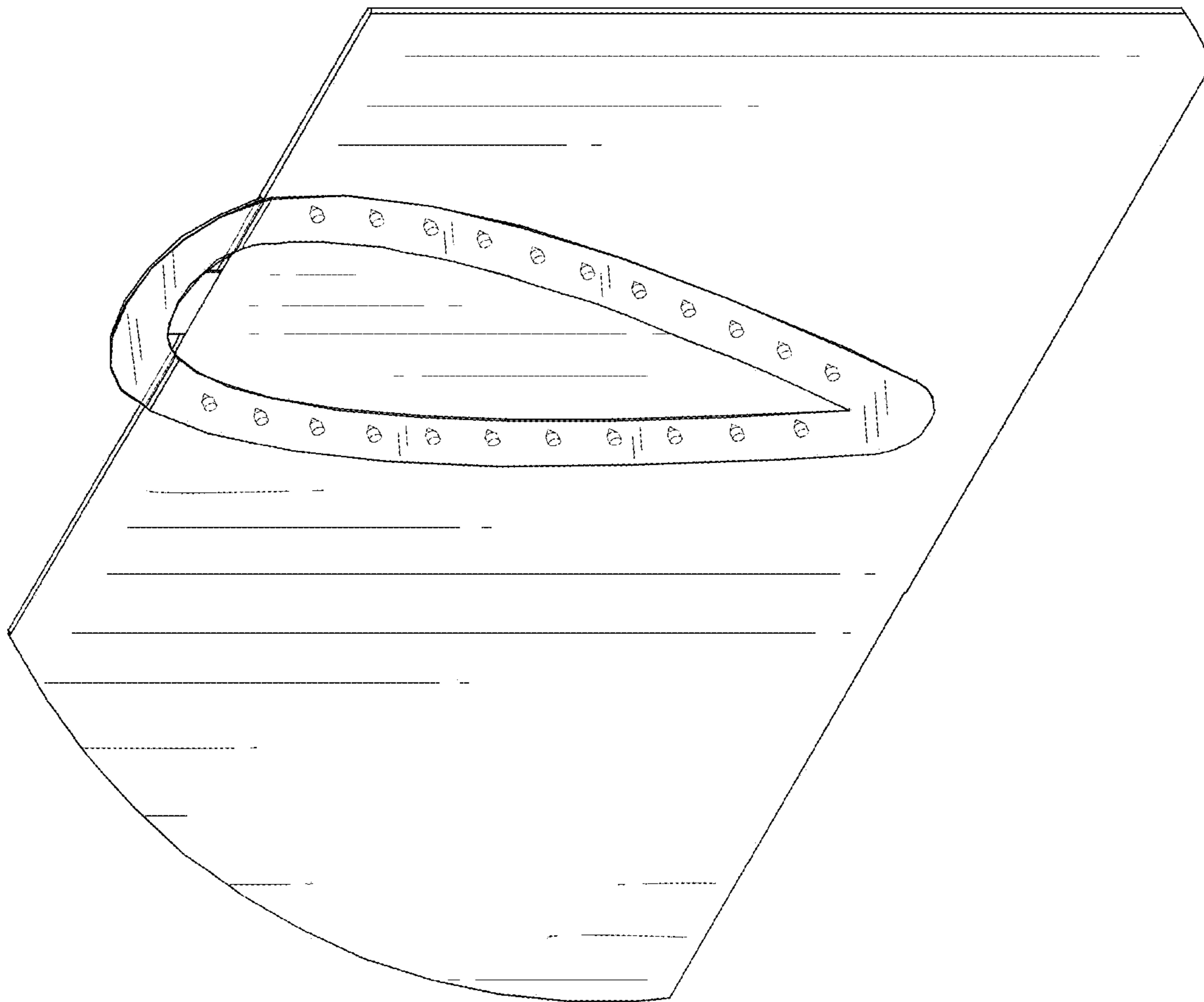


FIG. 11

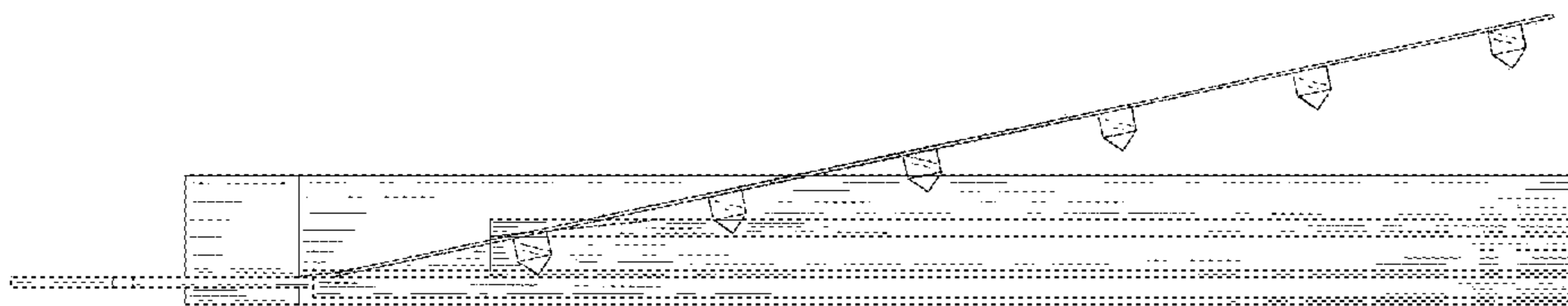


FIG. 12

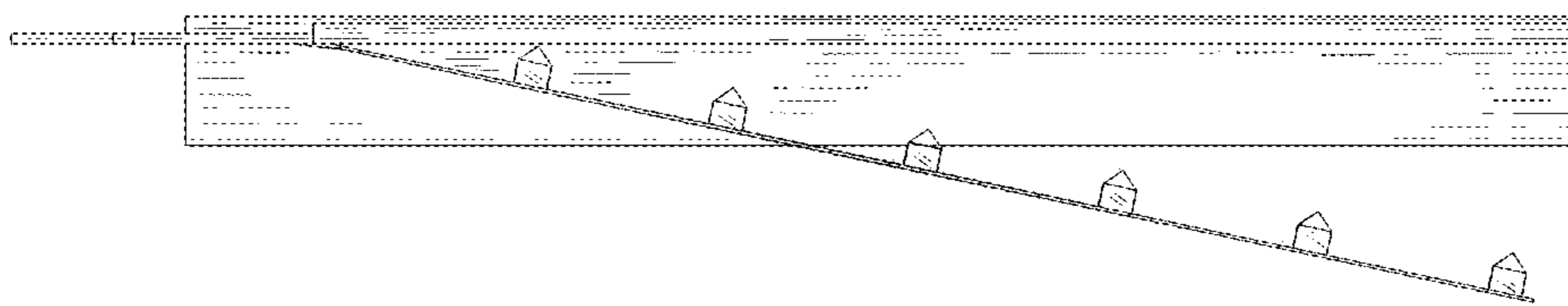


FIG. 13

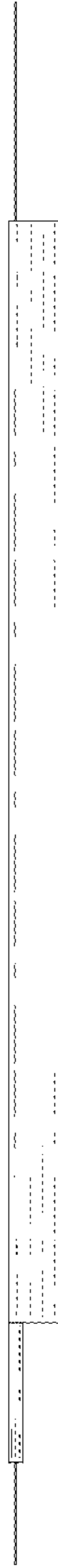


FIG. 14

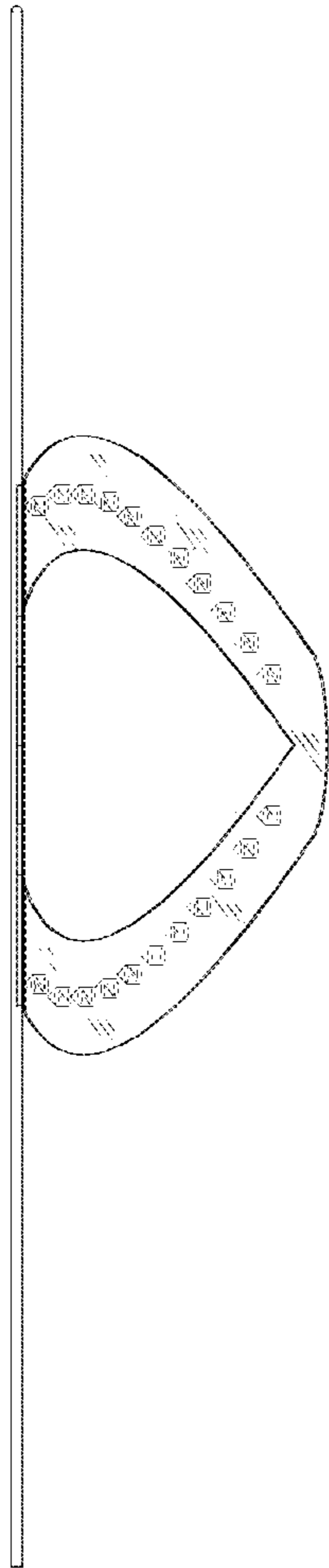


FIG. 15

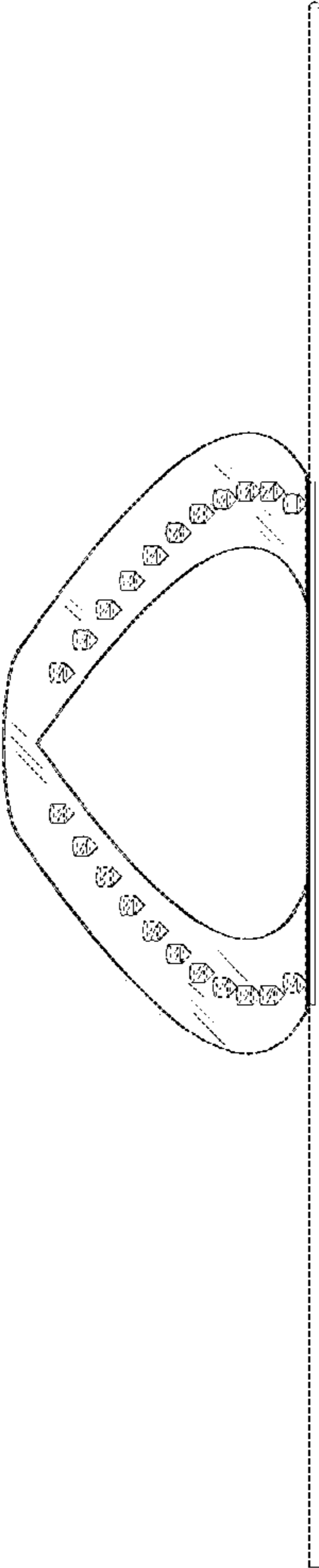


FIG. 16