



US00D880110S

(12) **United States Design Patent**
Glickfield

(10) **Patent No.:** **US D880,110 S**

(45) **Date of Patent:** **** Apr. 7, 2020**

(54) **GARMENT SUPPORTER**

(71) Applicant: **Adam S Glickfield**, Miami Beach, FL
(US)

(72) Inventor: **Adam S Glickfield**, Miami Beach, FL
(US)

(**) Term: **15 Years**

(21) Appl. No.: **29/673,454**

(22) Filed: **Dec. 14, 2018**

(51) **LOC (12) Cl.** **02-07**

(52) **U.S. Cl.**
USPC **D2/624**

(58) **Field of Classification Search**

USPC D2/500, 624–629, 631, 639, 959;
D3/224, 226; D11/3, 5; D21/662, 692;
D24/190; D29/101.1, 101.3, 101.5;
D30/152

CPC .. A41F 9/002; A44C 5/0053; A45F 2003/006;
B60R 2022/06; B60R 22/00

See application file for complete search history.

(56) **References Cited**

U.S. PATENT DOCUMENTS

946,656	A *	1/1910	Cole	A41F 9/002 2/338
2,924,827	A *	2/1960	Stollman	A44B 11/003 2/311
3,001,204	A *	9/1961	Harrison	A41F 9/025 2/309
3,721,216	A *	3/1973	Lippe	A01K 27/00 482/81
5,970,526	A *	10/1999	Weathers	A41F 9/002 2/311
7,937,776	B1 *	5/2011	Anderson	A41F 9/002 2/237
D676,627	S *	2/2013	Doss	A41F 9/025 D2/624

D818,667	S *	5/2018	Pelengaris	A41F 9/025 D2/627
10,188,153	B1 *	1/2019	Proctor	A41C 3/12
2010/0162468	A1 *	7/2010	Hanson	A41F 9/002 2/338
2010/0235967	A1 *	9/2010	Janakus	A41F 9/025 2/311

(Continued)

Primary Examiner — Kevin K Rudzinski
Assistant Examiner — Clare Ann Gannon

(57) **CLAIM**

The ornamental design for the garment supporter, as shown and described.

DESCRIPTION

FIG. 1 is a top perspective view of a garment supporter showing my new design, in accordance to its flattened, buckled configuration;

FIG. 2 is a bottom perspective view thereof;

FIG. 3 is a rear perspective view thereof;

FIG. 4 is a front elevational view thereof;

FIG. 5 is a rear elevational view thereof;

FIG. 6 is a left elevational view thereof;

FIG. 7 is a right elevational view thereof;

FIG. 8 is a top plan view thereof, the bottom plan view being mirrored thereto;

FIG. 9 is a front perspective view thereof, shown in a released configuration;

FIG. 10 is an enlarged detail view thereof, depicting area 10 in FIG. 1;

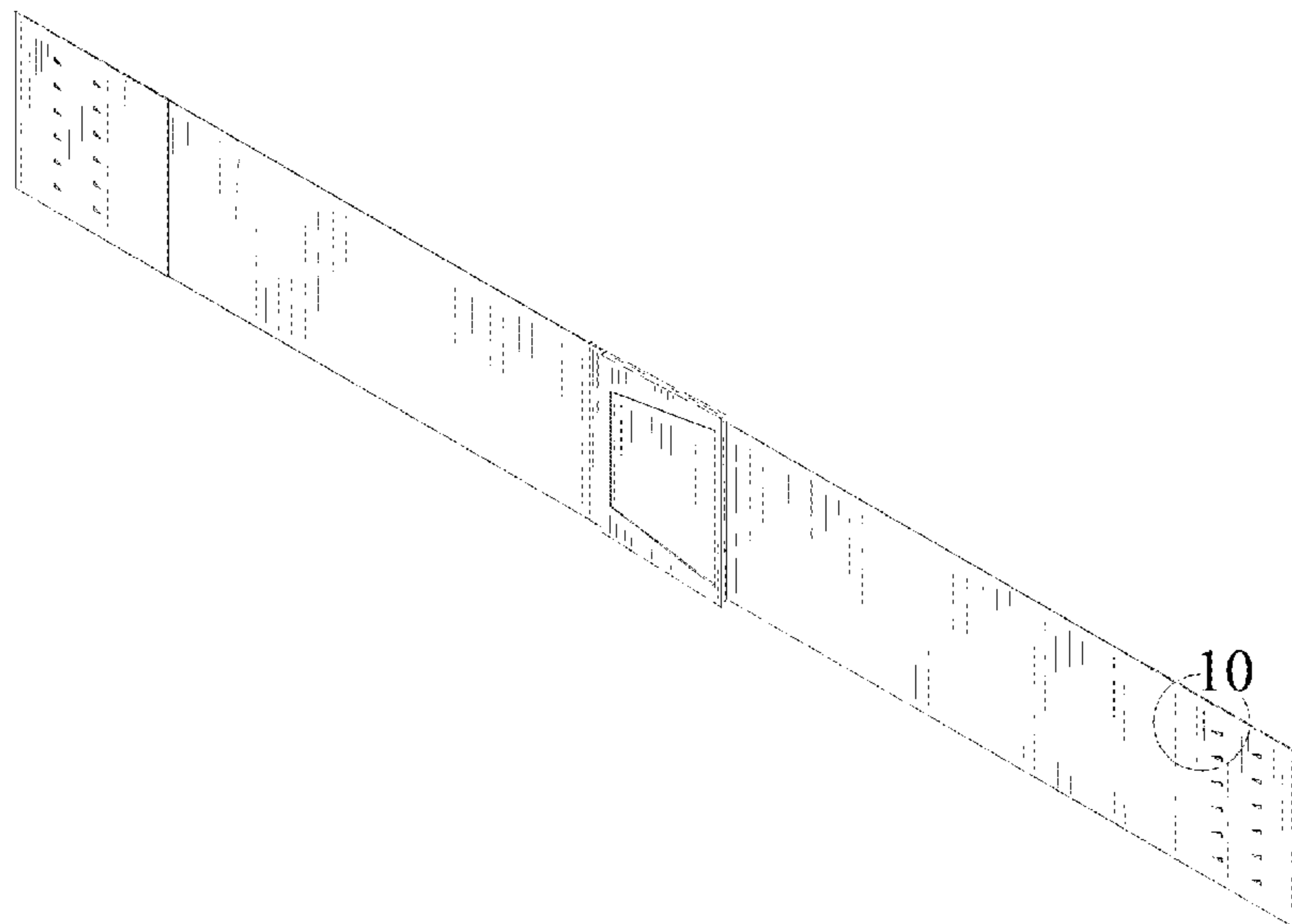
FIG. 11 is an enlarged detail view thereof, depicting area 11 in FIG. 6;

FIG. 12 is an enlarged detail view thereof, depicting area 12 in FIG. 7;

FIG. 13 is an enlarged detail view thereof, depicting area 14 in FIG. 8; and,

FIG. 14 is an enlarged detail view thereof, depicting area 14 in FIG. 10.

1 Claim, 14 Drawing Sheets



(56)

References Cited

U.S. PATENT DOCUMENTS

2013/0025027 A1* 1/2013 Spence A41D 1/06
2/227
2015/0272249 A1* 10/2015 Glenn A41F 9/002
2/338

* cited by examiner

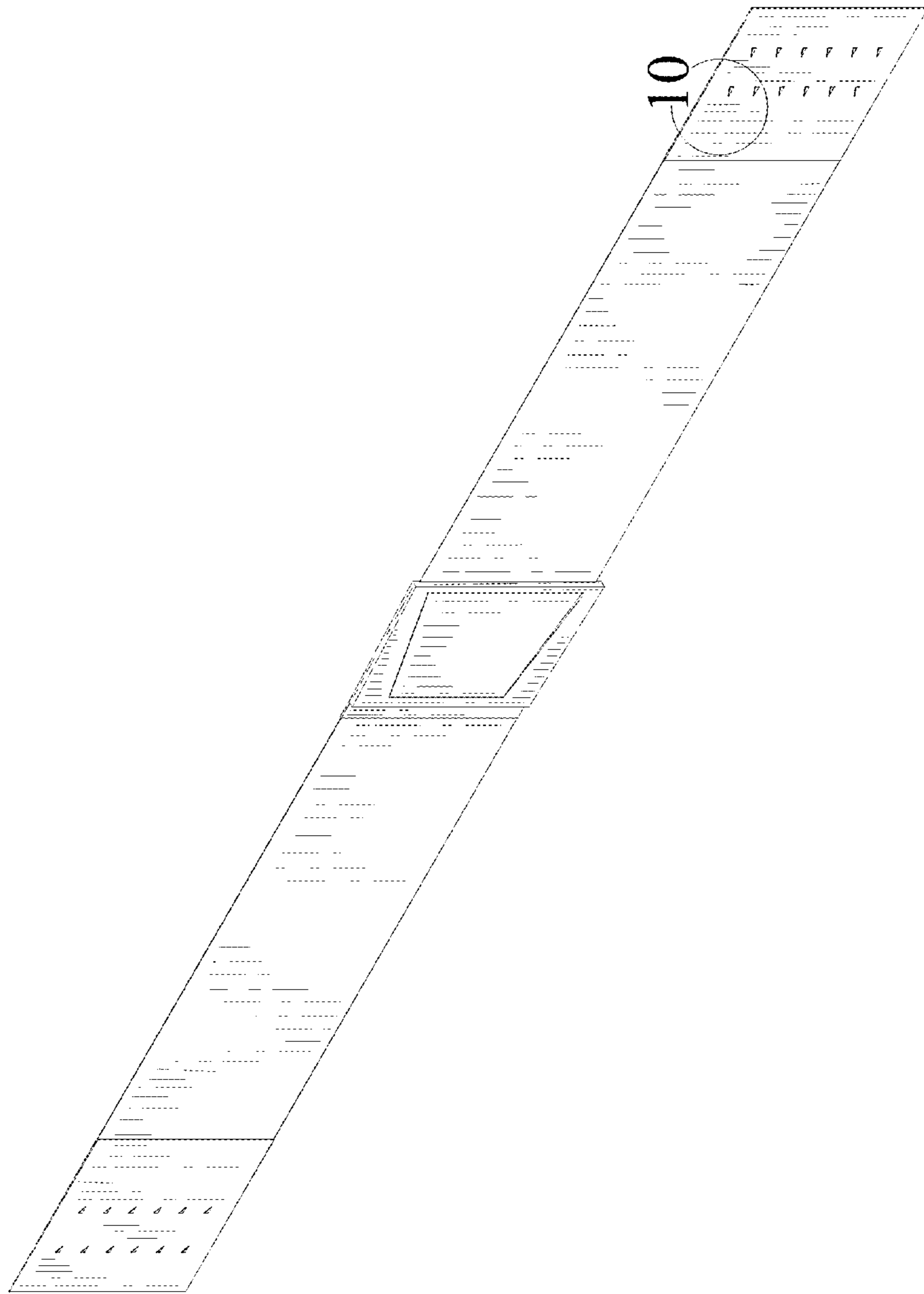


FIG. 1

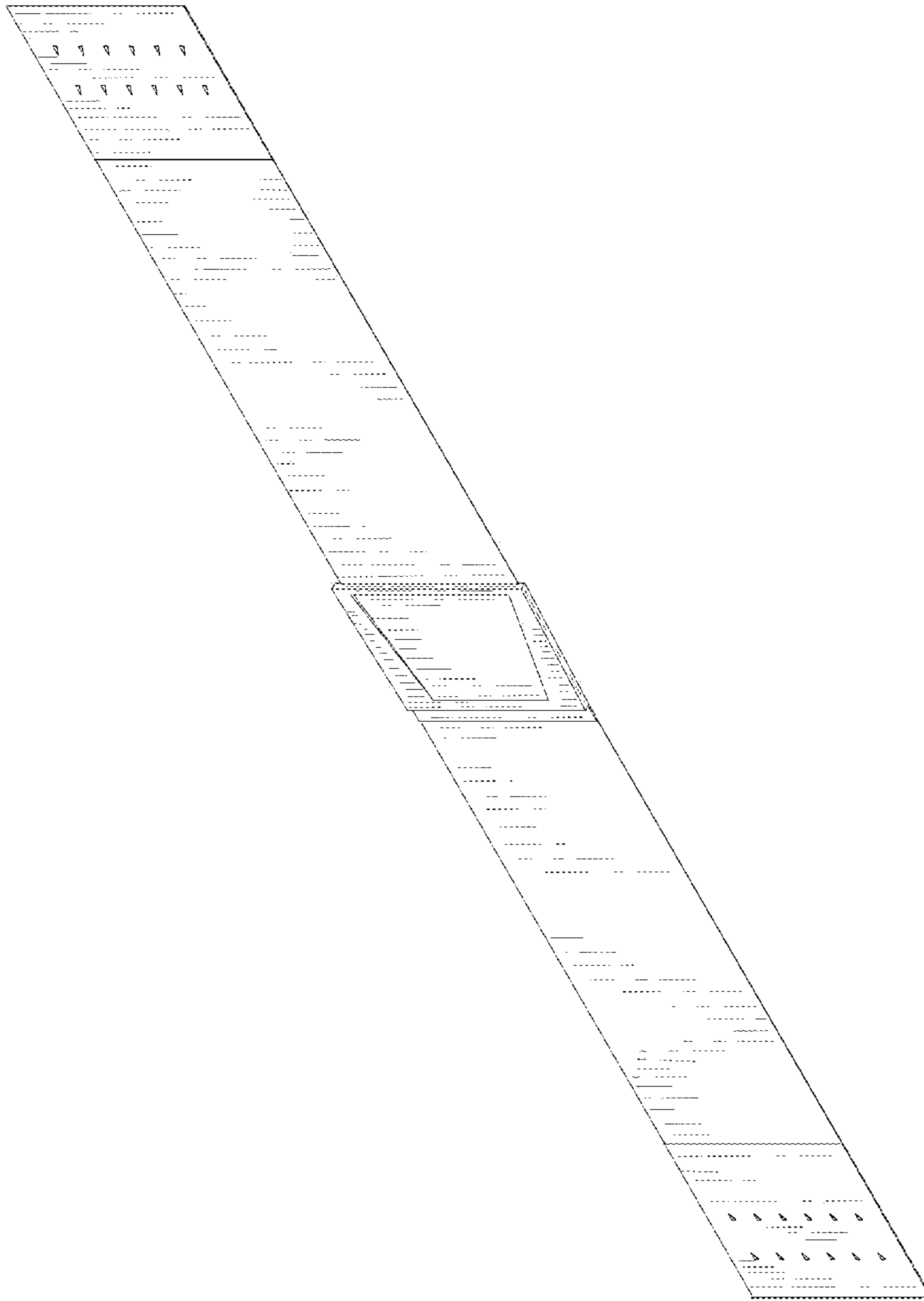


FIG. 2

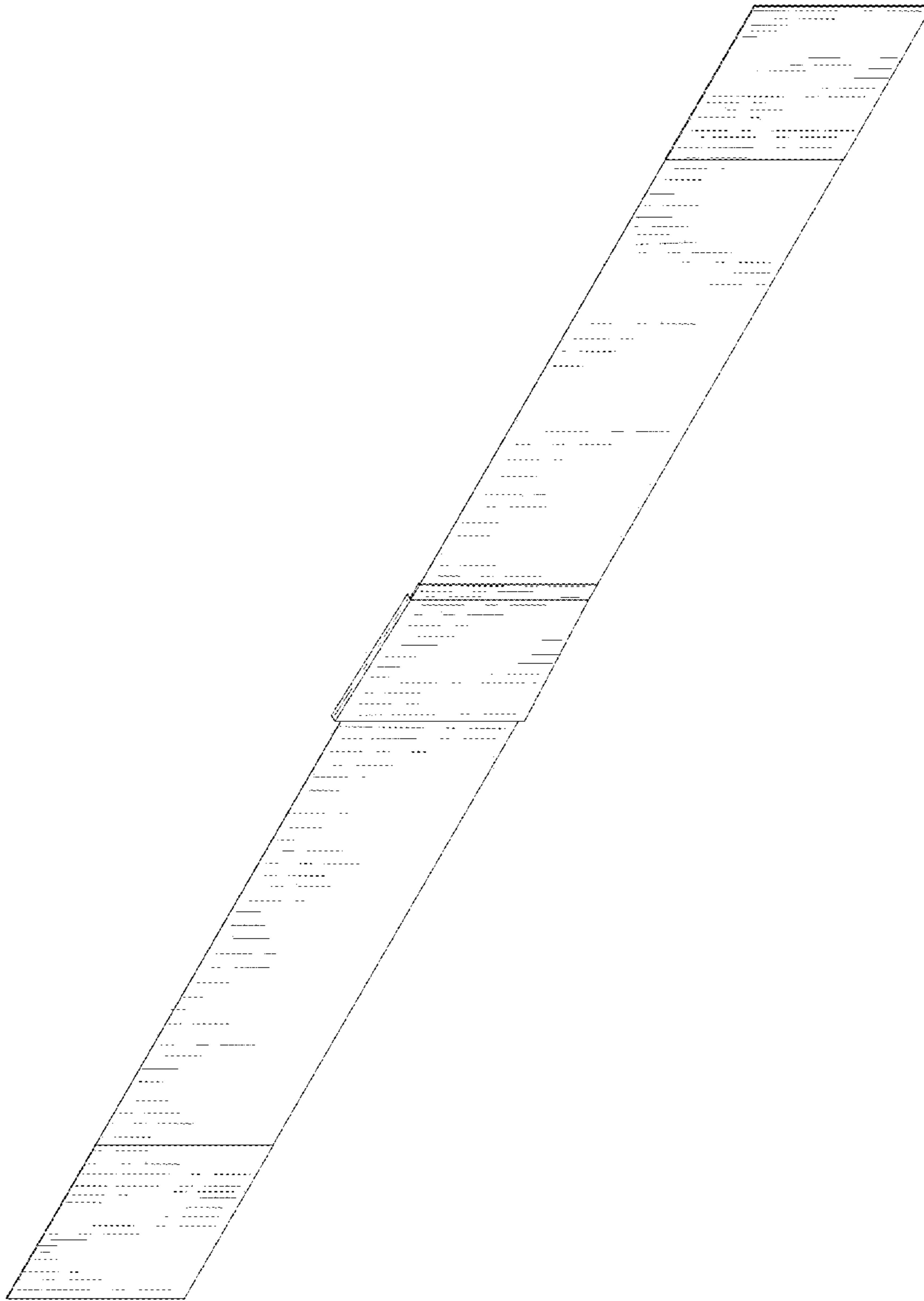


FIG. 3

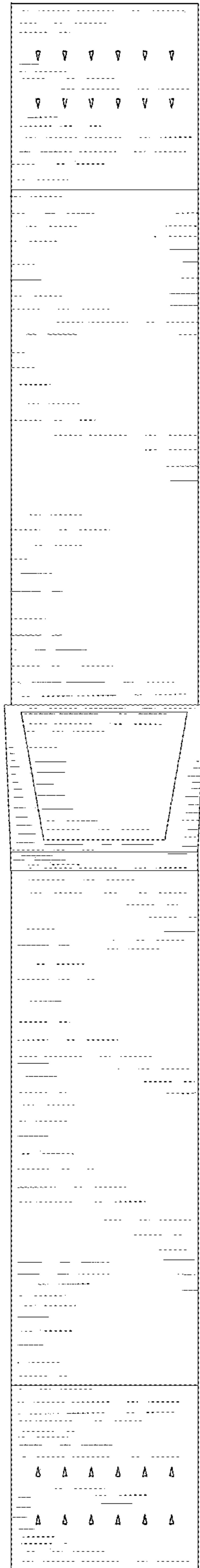


FIG. 4

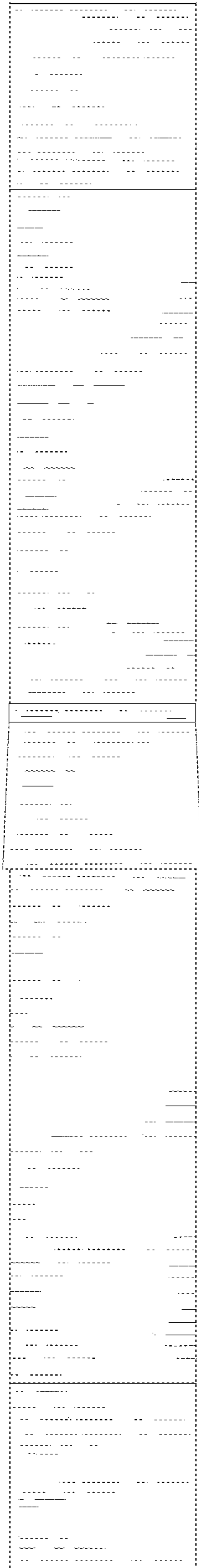


FIG. 5

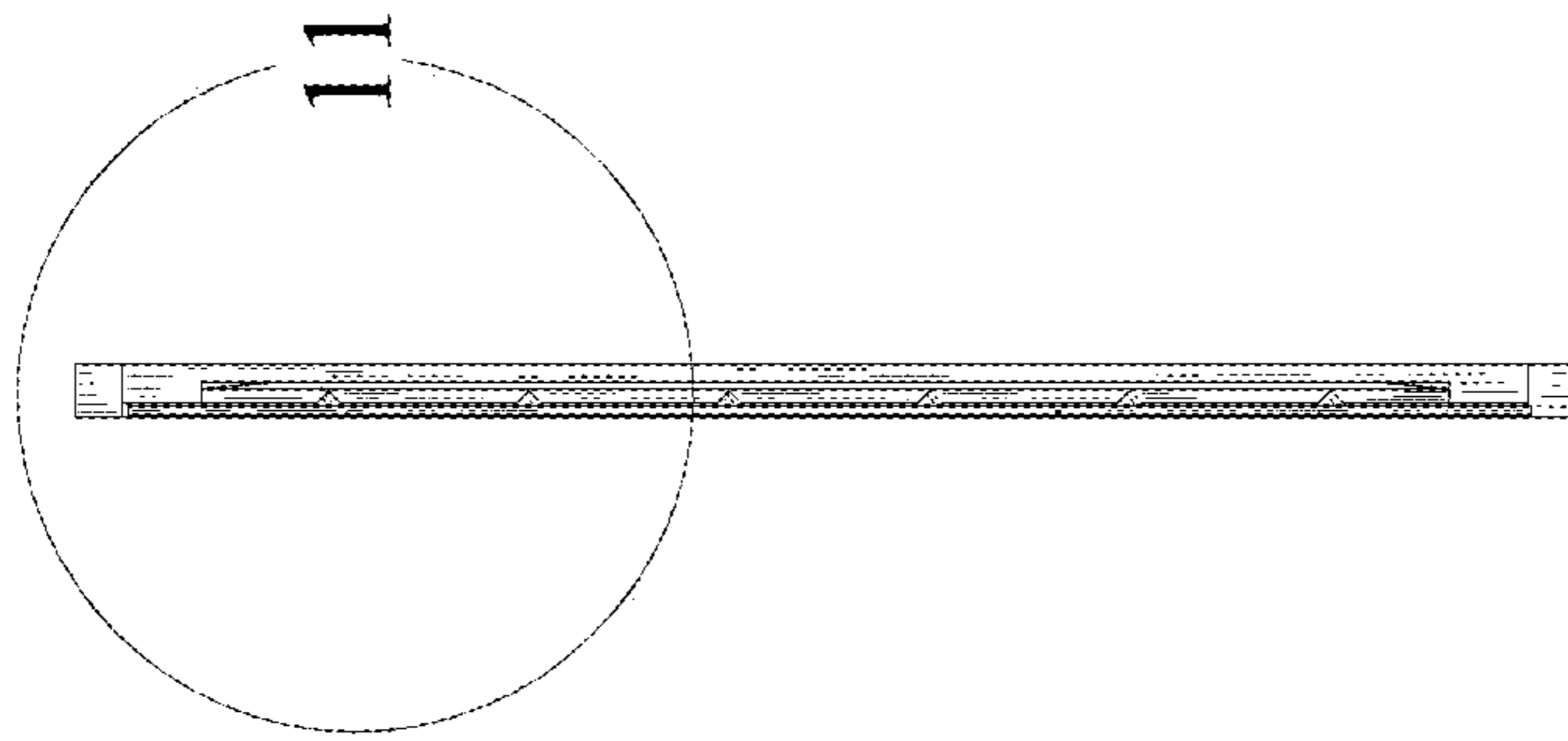


FIG. 6

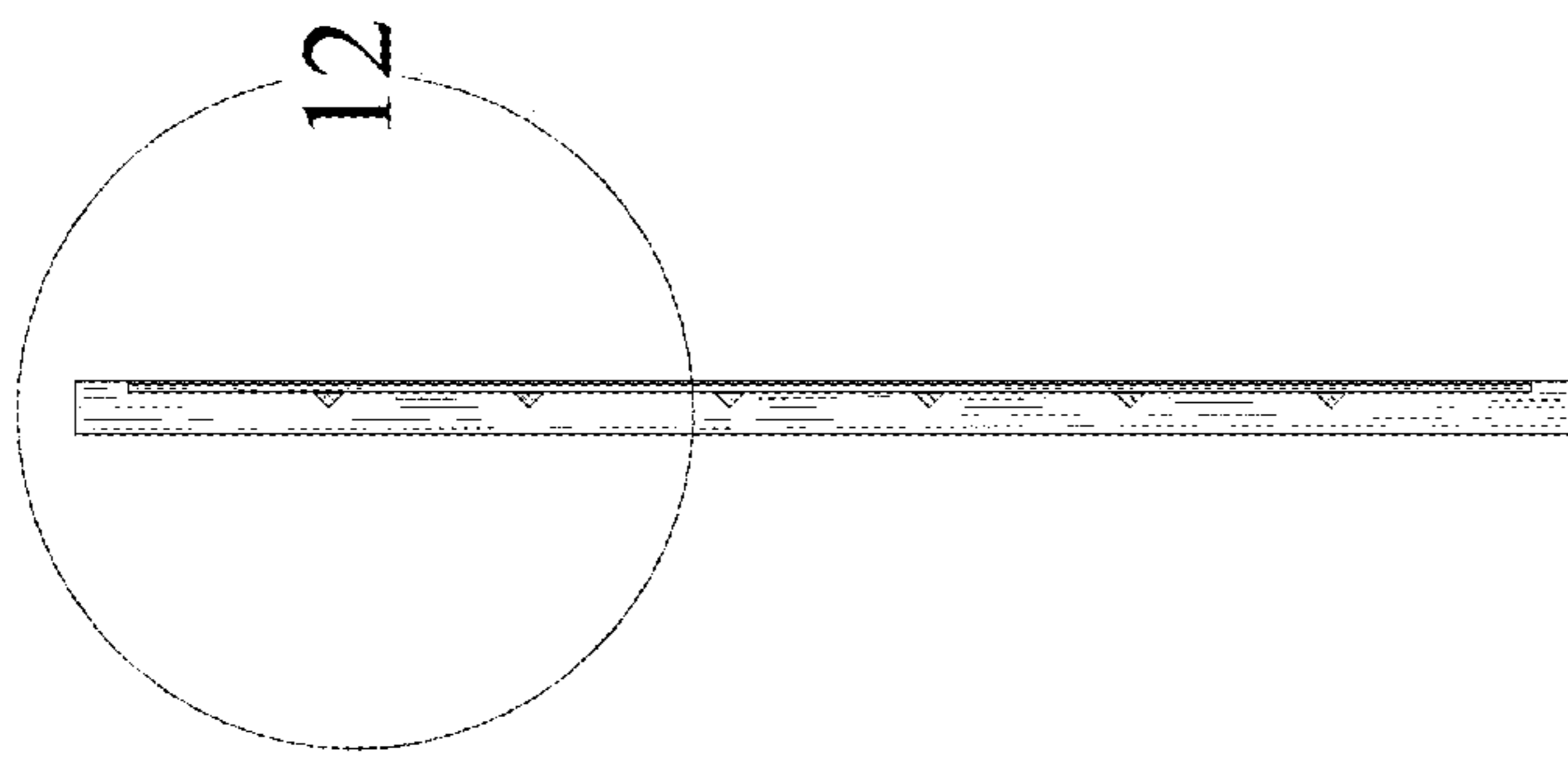


FIG. 7

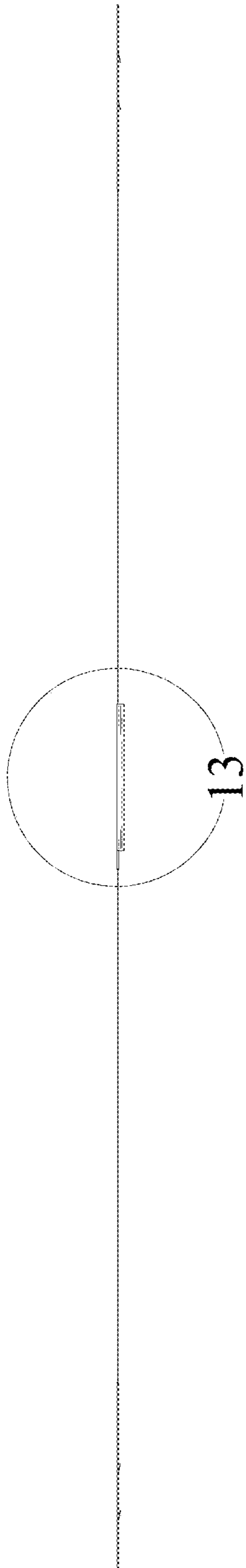


FIG. 8

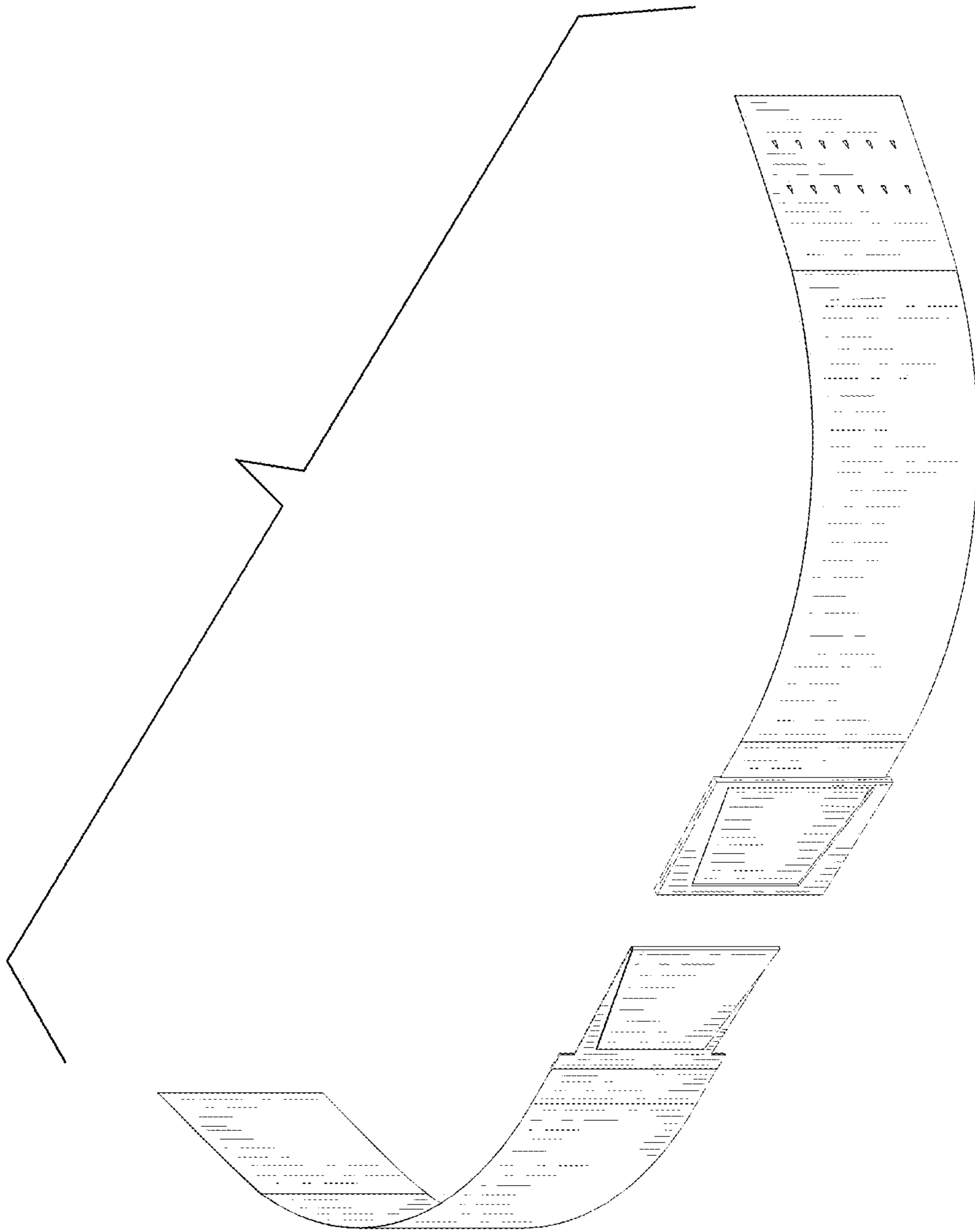


FIG. 9



14

FIG. 10

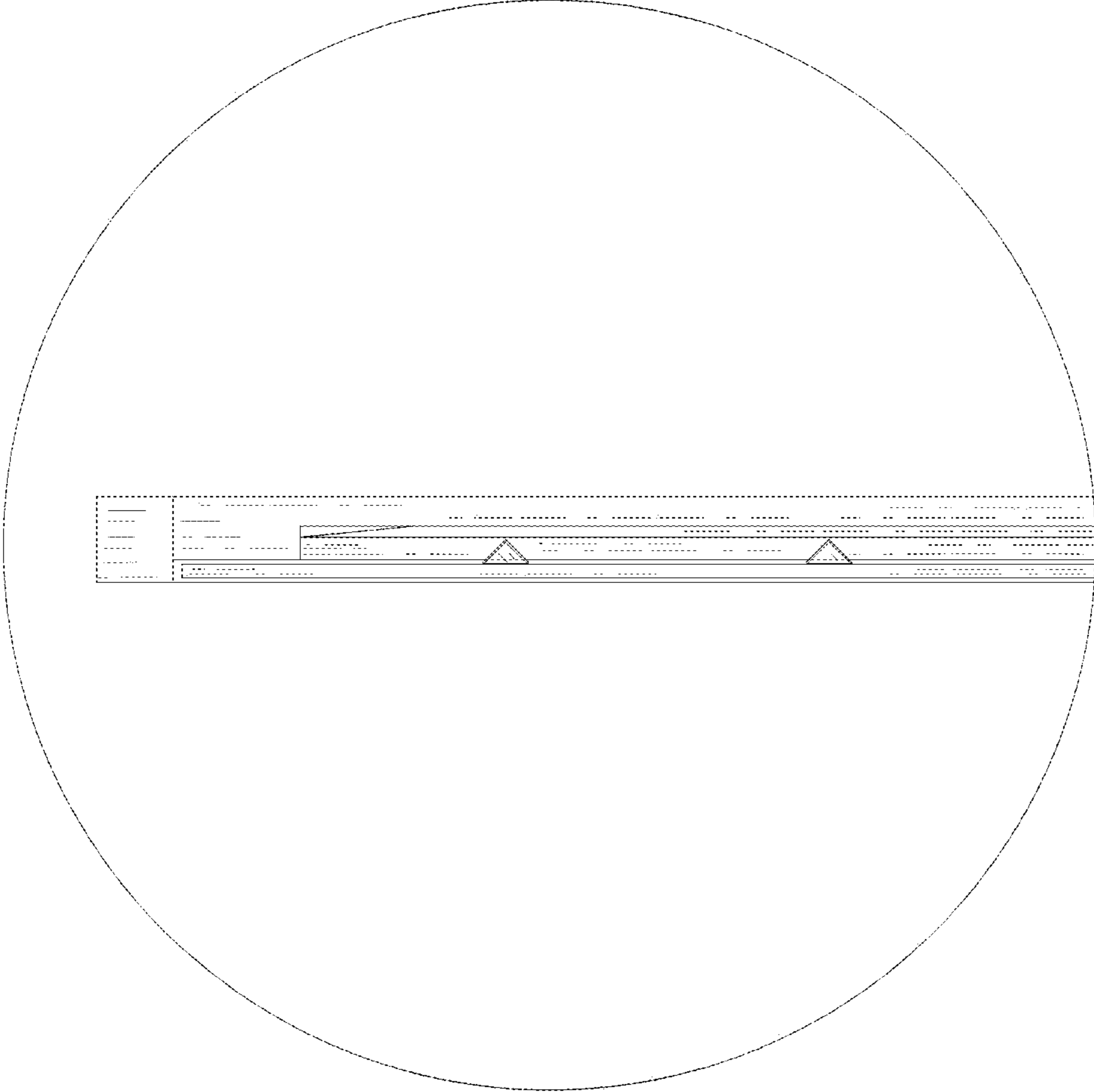


FIG. 11

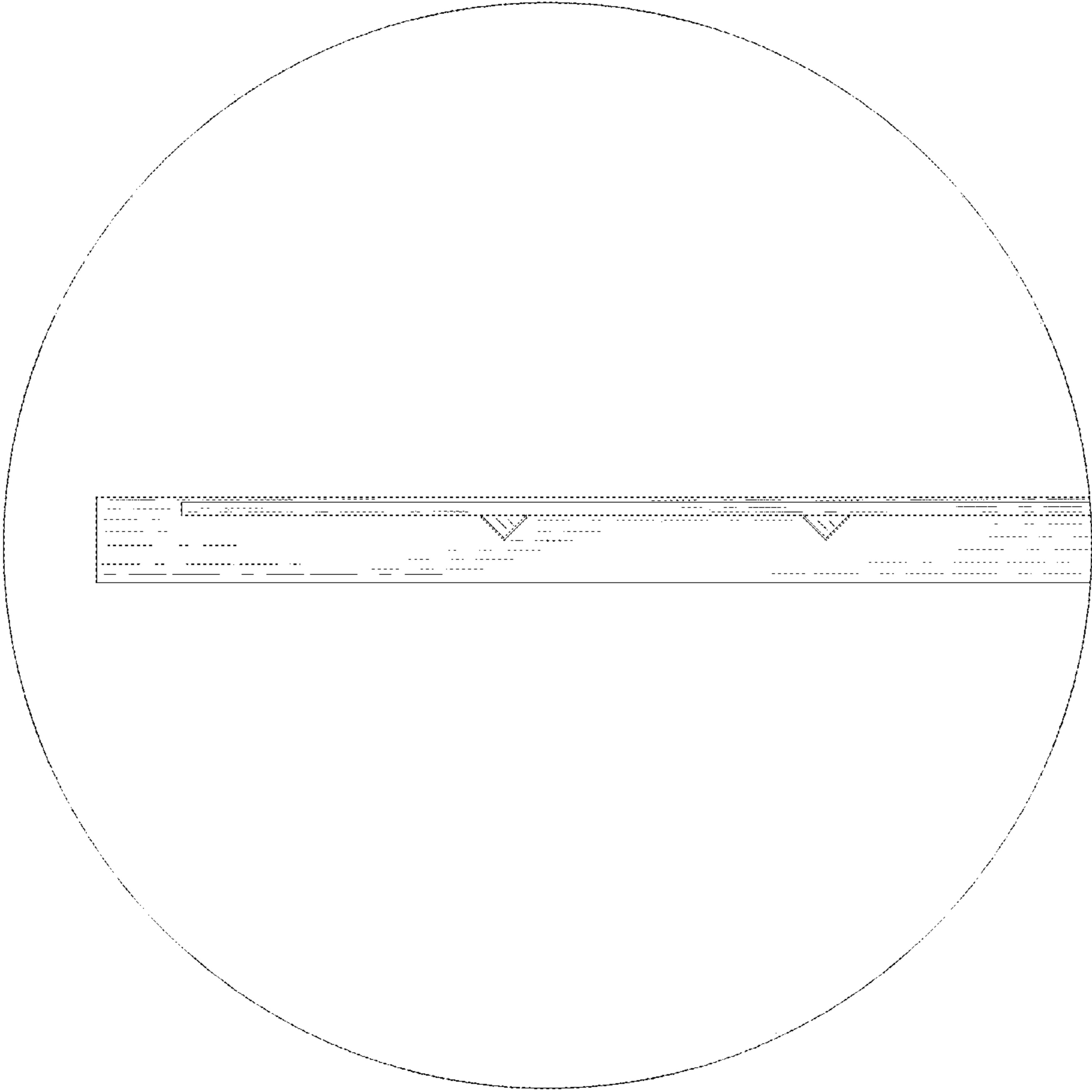


FIG. 12

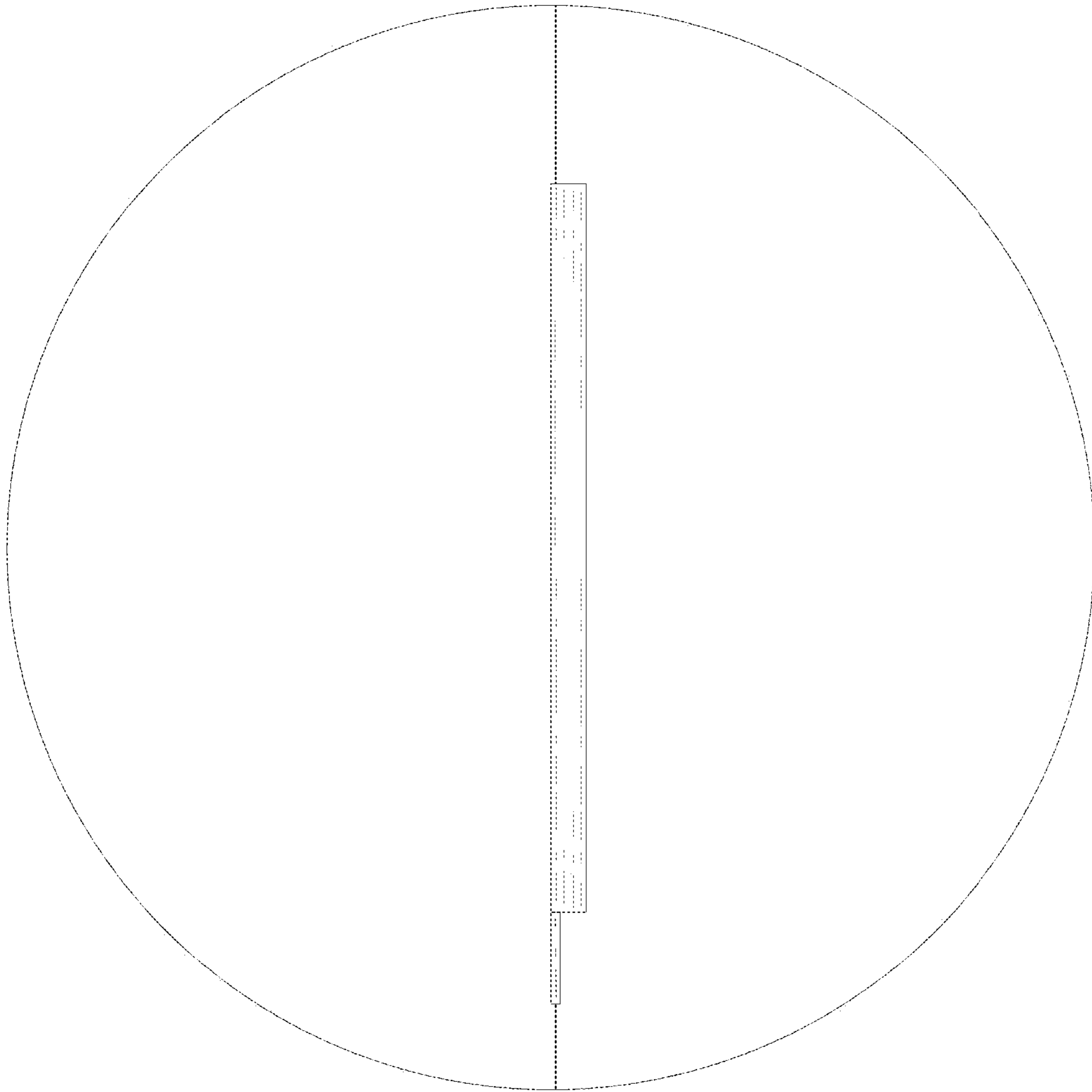


FIG. 13

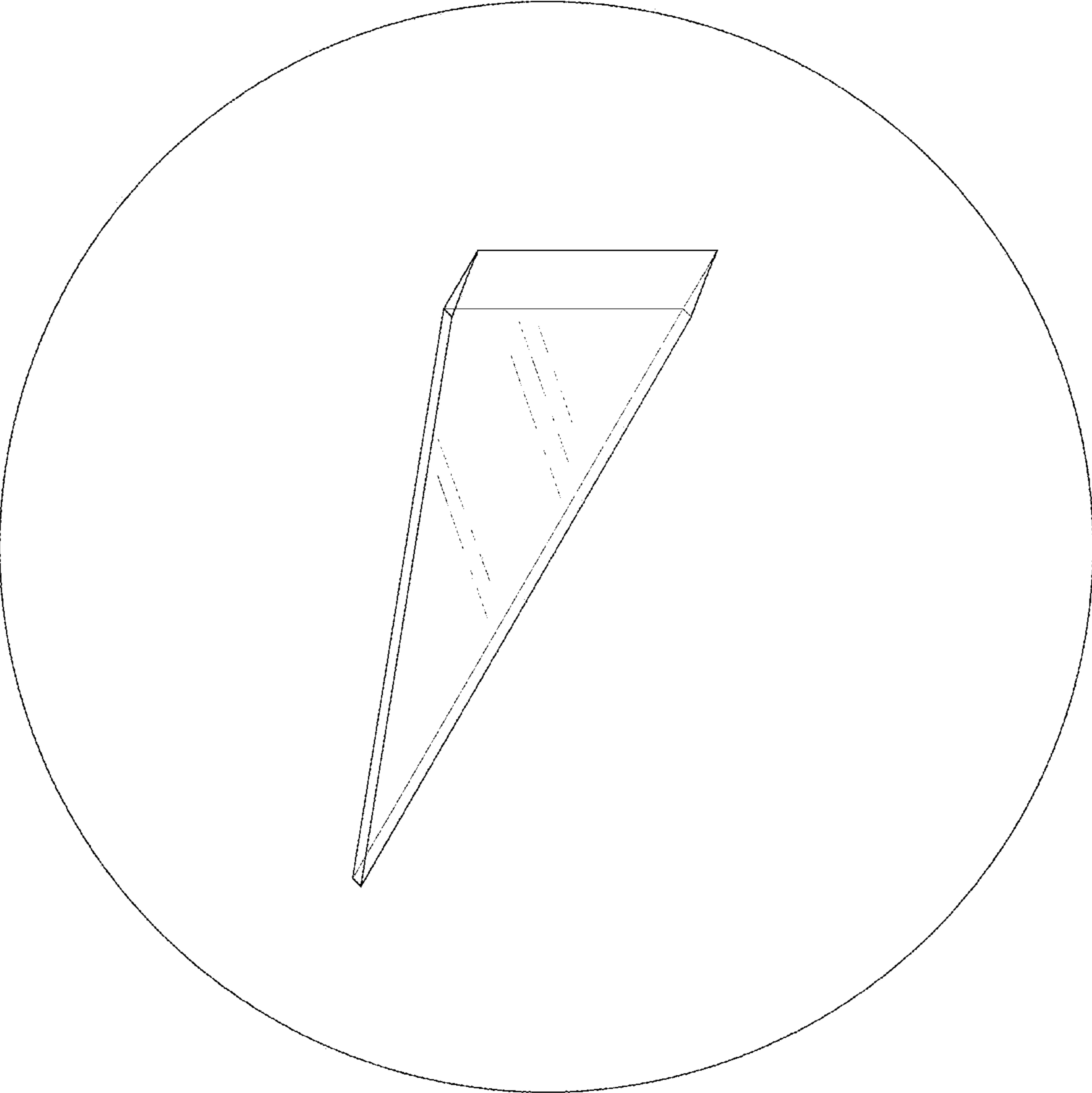


FIG. 14