



US00D880105S

(12) **United States Design Patent**
Rubin

(10) **Patent No.:** **US D880,105 S**

(45) **Date of Patent:** **** Mar. 31, 2020**

(54) **COMBINED SELF-MANAGEMENT AND COMMUNICATION TOOL**

(71) Applicant: **Marcy Rubin**, Chicago, IL (US)

(72) Inventor: **Marcy Rubin**, Chicago, IL (US)

(**) Term: **15 Years**

(21) Appl. No.: **29/650,356**

(22) Filed: **Jun. 6, 2018**

(51) **LOC (12) Cl.** **21-01**

(52) **U.S. Cl.**
USPC **D99/99**

(58) **Field of Classification Search**
USPC D99/25, 99; D7/306, 317; D21/465,
D21/467, 473, 476
CPC . A41D 23/00; G06K 7/10; A47C 9/00; A47G
33/00; A63B 26/00; A63H 33/00; G09F
19/02; G09F 19/00
See application file for complete search history.

(56) **References Cited**

U.S. PATENT DOCUMENTS

- 1,141,434 A * 6/1915 Tosta A63H 13/20
446/246
- D96,317 S * 7/1935 Kayn D28/42
- D183,011 S * 6/1958 Matthews D21/468
- 4,363,181 A * 12/1982 Hyman G09F 19/02
40/455
- D299,935 S * 2/1989 Williams D21/467
- 5,370,570 A * 12/1994 Harris A63H 33/006
24/486
- D364,652 S * 11/1995 Santana D11/141
- D374,692 S * 10/1996 Stroud D21/476
- D386,447 S * 11/1997 Yehoshoua D11/141
- D386,807 S * 11/1997 Moonshine-Voelker D26/94
- D397,815 S * 9/1998 Kislevitz D21/465
- 6,045,281 A * 4/2000 Bunn B43K 29/00
40/334
- D438,582 S * 3/2001 Speers D21/465
- D461,854 S * 8/2002 Myers D21/467

- D468,034 S * 12/2002 Yu D26/26
- D472,320 S * 3/2003 Turbeville, Jr. D24/195
- D483,920 S * 12/2003 Ahsan D99/25
- D528,169 S * 9/2006 Hayes D21/467
- D534,456 S * 1/2007 Ilaria D11/157
- D544,996 S * 6/2007 Graves D26/130
- D567,691 S * 4/2008 Priestly D10/106.4
- D684,888 S * 6/2013 Clayton D11/121
- D696,450 S * 12/2013 Coury D26/118

(Continued)

FOREIGN PATENT DOCUMENTS

CN 301394639 * 11/2010

OTHER PUBLICATIONS

Baby mobile moon and stars | Etsy, <https://www.etsy.com/listing/582716605/baby-mobile-moon-and-stars-crib-mobile?gpla=1> . . . site visited Jul. 23, 2019 (Year: 2019).*

Primary Examiner — Lilyana Bekic

Assistant Examiner — John R Yeh

(74) *Attorney, Agent, or Firm* — L&G Law Group LLP

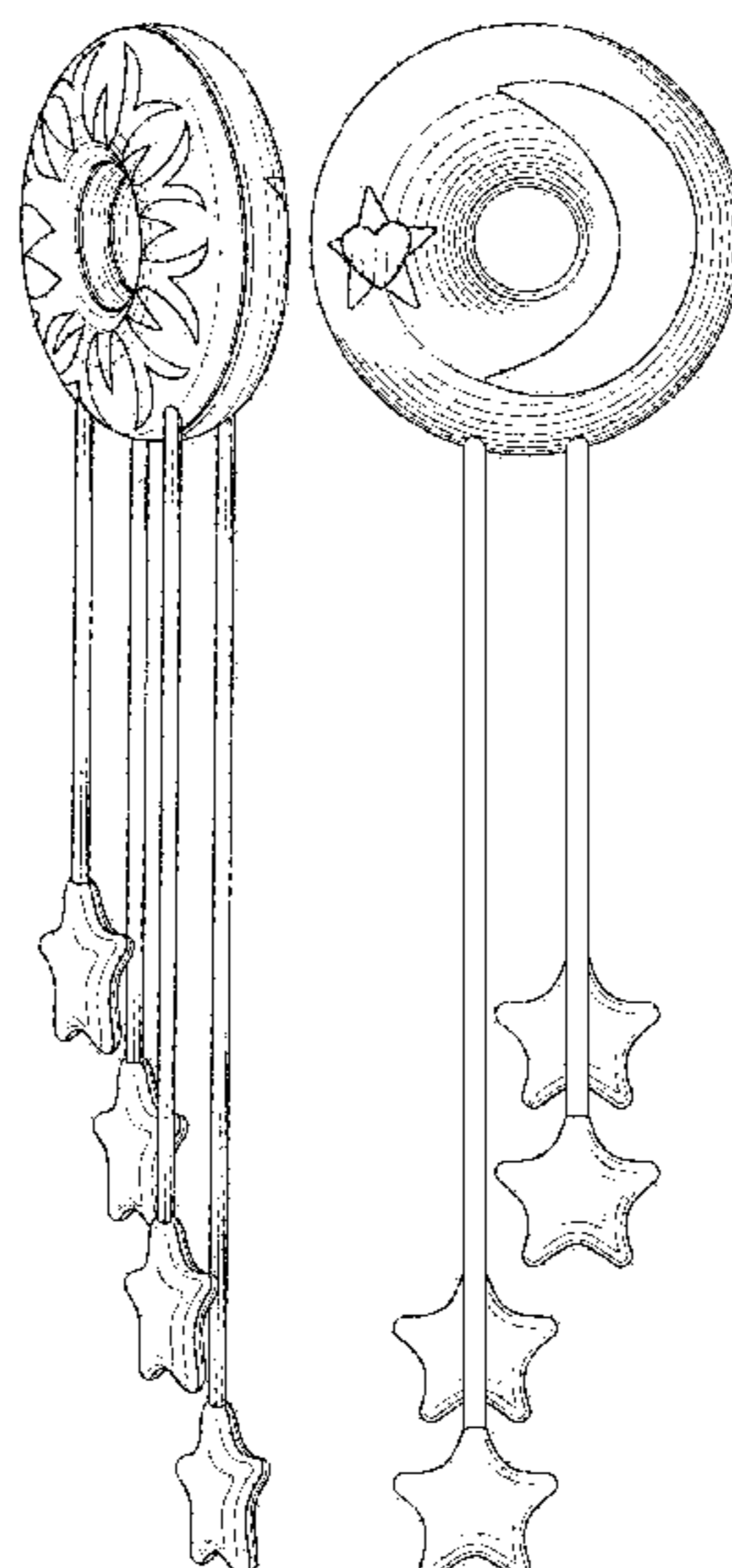
(57) **CLAIM**

The ornamental design for a combined self-management and communication tool, as shown and described.

DESCRIPTION

FIG. 1 is a front perspective view of a combined self-management and communication tool, showing my new design;
FIG. 2 is a front elevational view thereof;
FIG. 3 is a rear elevational view thereof;
FIG. 4 is a left-side elevational view thereof;
FIG. 5 is a right-side elevational view thereof;
FIG. 6 is a top plan view thereof;
FIG. 7 is a bottom plan view thereof; and,
FIG. 8 is a rear perspective view thereof.

1 Claim, 6 Drawing Sheets



(56)

References Cited

U.S. PATENT DOCUMENTS

D697,983 S * 1/2014 Nelson D11/81
D775,281 S * 12/2016 Haut D21/398
D805,809 S * 12/2017 Lawson D6/556
D840,155 S * 2/2019 Wang D3/318
2003/0106248 A1* 6/2003 Chang G09F 19/08
40/554
2004/0109332 A1* 6/2004 Ahsan A47G 33/00
362/84
2006/0285318 A1* 12/2006 Ahsan A47G 33/00
362/121
2013/0043364 A1* 2/2013 Stoepler A47G 33/00
248/322
2016/0354708 A1* 12/2016 Sweed A63H 33/28

* cited by examiner

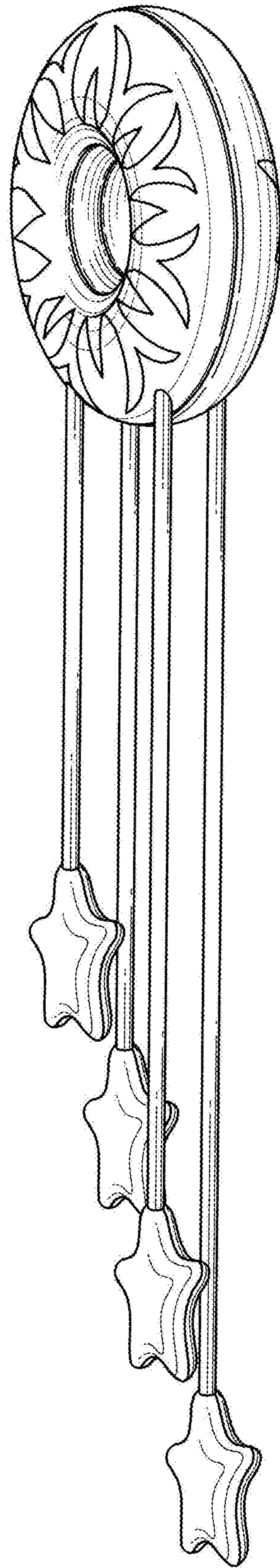


Fig. 1

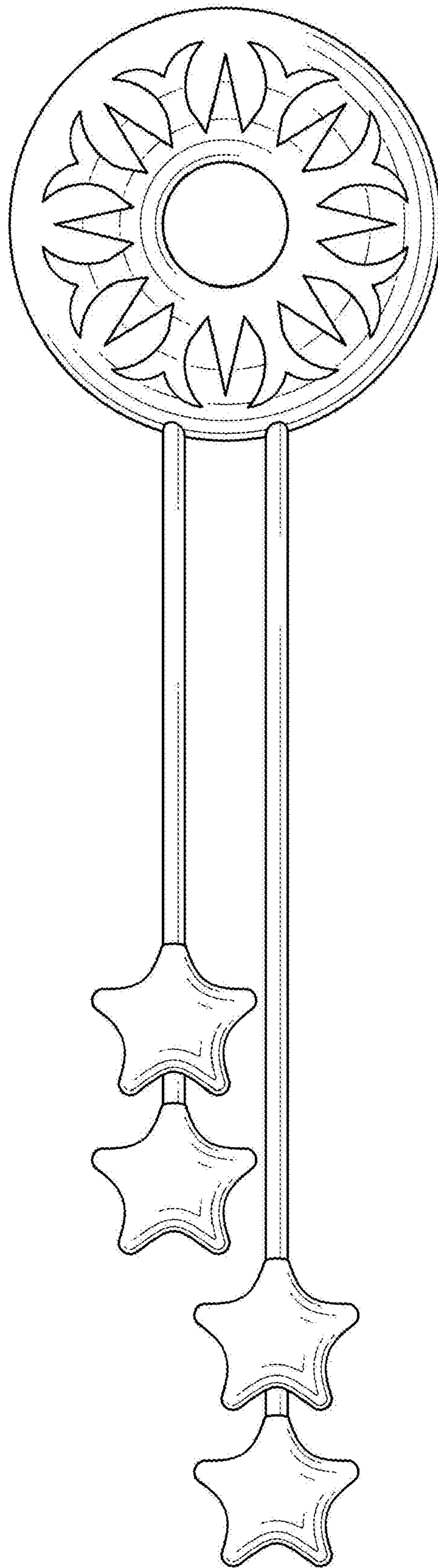


Fig. 2

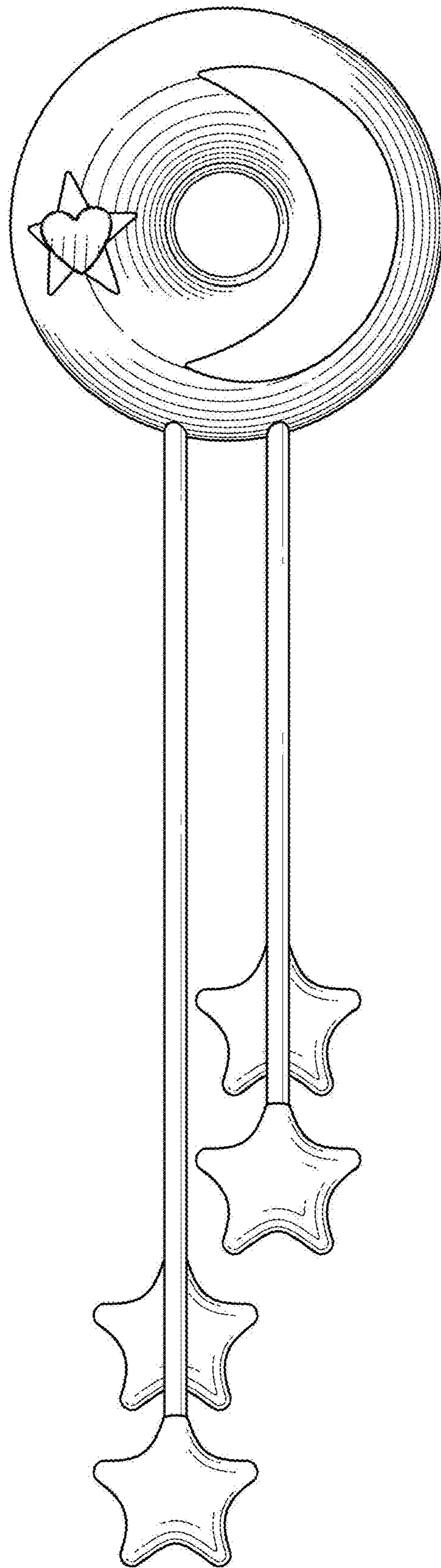


Fig. 3

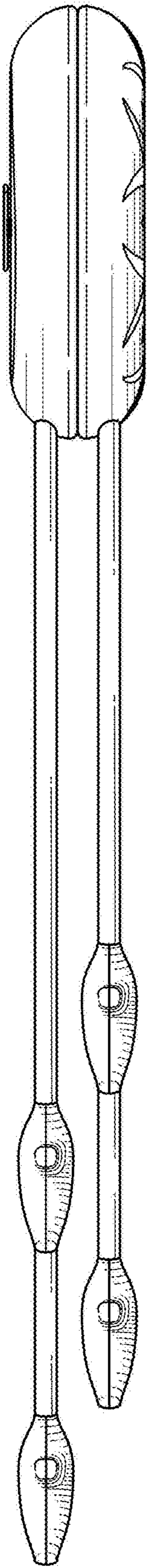


Fig. 4

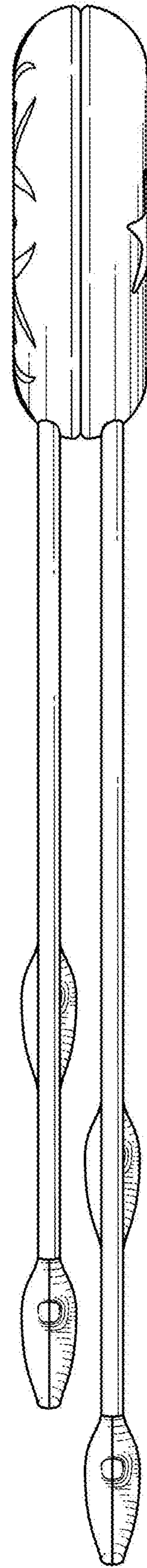


Fig. 5

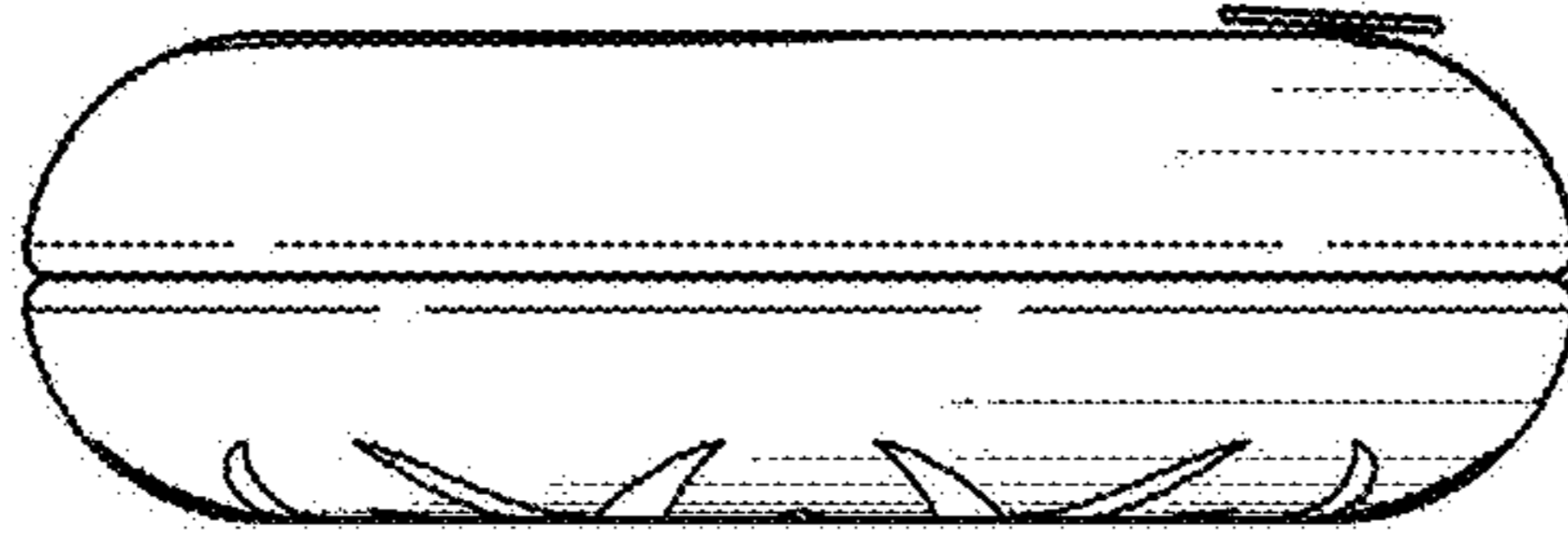


Fig. 6

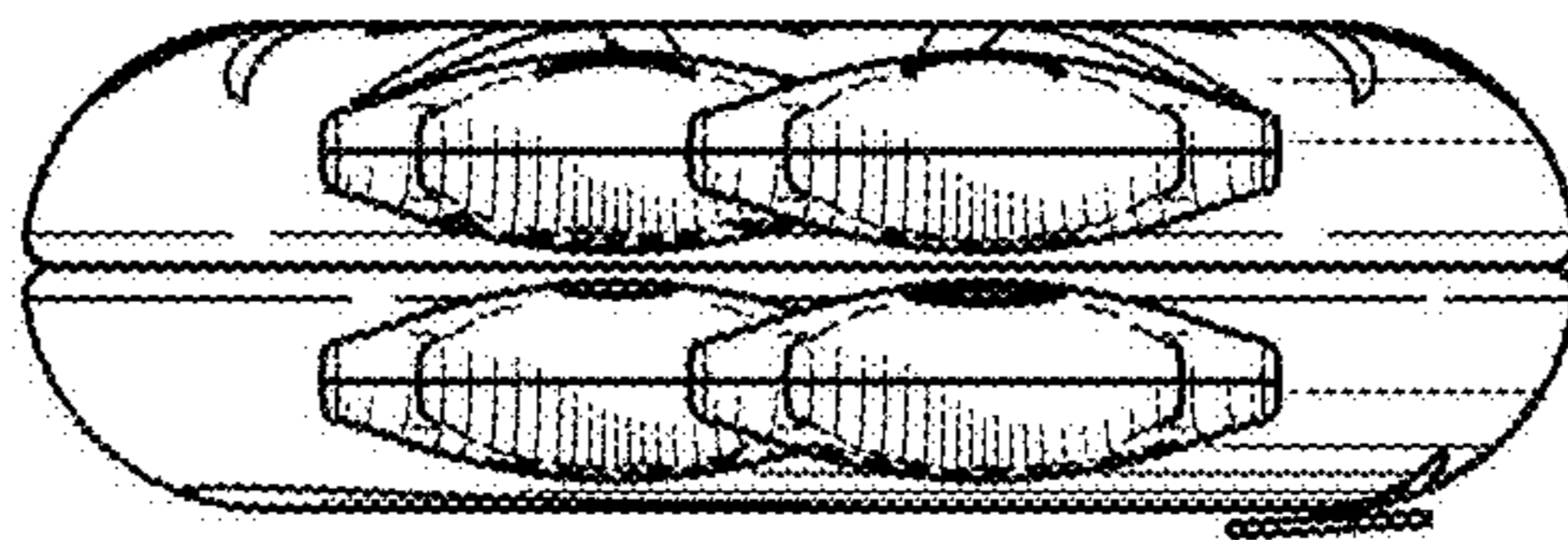


Fig. 7

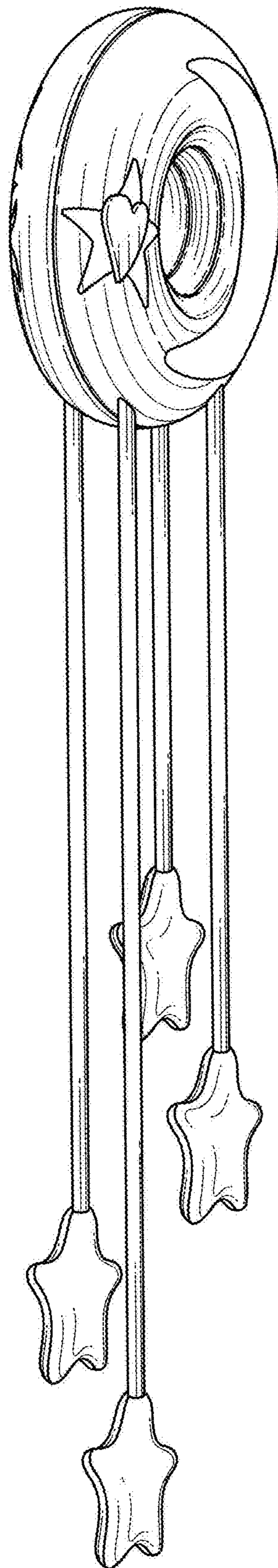


Fig. 8