



US00D880103S

(12) **United States Design Patent**
Quinn

(10) **Patent No.:** **US D880,103 S**

(45) **Date of Patent:** **** Mar. 31, 2020**

(54) **SECURED CONTAINER**
(71) Applicant: **CleverMade, LLC**, Carlsbad, CA (US)
(72) Inventor: **Thomas Quinn**, Carlsbad, CA (US)
(73) Assignee: **CleverMade, LLC**, Carlsbad, CA (US)
(**) Term: **15 Years**
(21) Appl. No.: **29/704,622**

5,845,843 A * 12/1998 Kuller A47G 29/12
232/38
D474,596 S * 5/2003 Osiecki D3/273
D490,206 S * 5/2004 Perella D99/28
D496,791 S * 10/2004 Perella D3/263
D501,083 S * 1/2005 Perella D3/276
D503,024 S * 3/2005 Perella D99/28
D504,990 S * 5/2005 Perella D99/28
D561,462 S * 2/2008 Perella D3/206
D561,994 S * 2/2008 Peart D3/291
D571,524 S * 6/2008 Kang D99/28

(Continued)

(22) Filed: **Sep. 5, 2019**
(51) **LOC (12) Cl.** **99-00**
(52) **U.S. Cl.**
USPC **D99/28**

FOREIGN PATENT DOCUMENTS

AU 2013203121 B2 3/2016
CN 109896150 A 6/2019
WO 2018224664 A1 12/2018

(58) **Field of Classification Search**
USPC D99/28, 34, 35, 36, 43, 99; D3/902, 905,
D3/201, 272, 273; D18/3.1, 3.3, 12.1
CPC A45C 1/12; A45C 2001/125; A45C
2001/102; A45C 2001/104; A45C
2001/006; A45C 2001/003; A45C
2001/105; A45C 2001/107; E05G 1/00;
E05G 1/005; E05G 1/024; E05G 1/026;
E05G 5/00; E05G 7/00; E05G 7/001;
E05G 2700/00; E05G 2700/02; B63C
7/30; G07D 9/00; G07D 9/002; G07D
9/004; G07D 9/006; G07D 9/008; G07D
9/02; G07D 9/04; G07D 9/06; G07D
9/065; G07D 11/00; G07D 11/0021;
G07D 13/00; G07D 2201/00; G07D
2211/00; G07F 9/06; G07F 9/08
See application file for complete search history.

Primary Examiner — Elizabeth J Oswecki

(74) *Attorney, Agent, or Firm* — Ryan Dean; Umberg
Zipser LLP

(57) **CLAIM**

The ornamental design for a secured container, as shown and described.

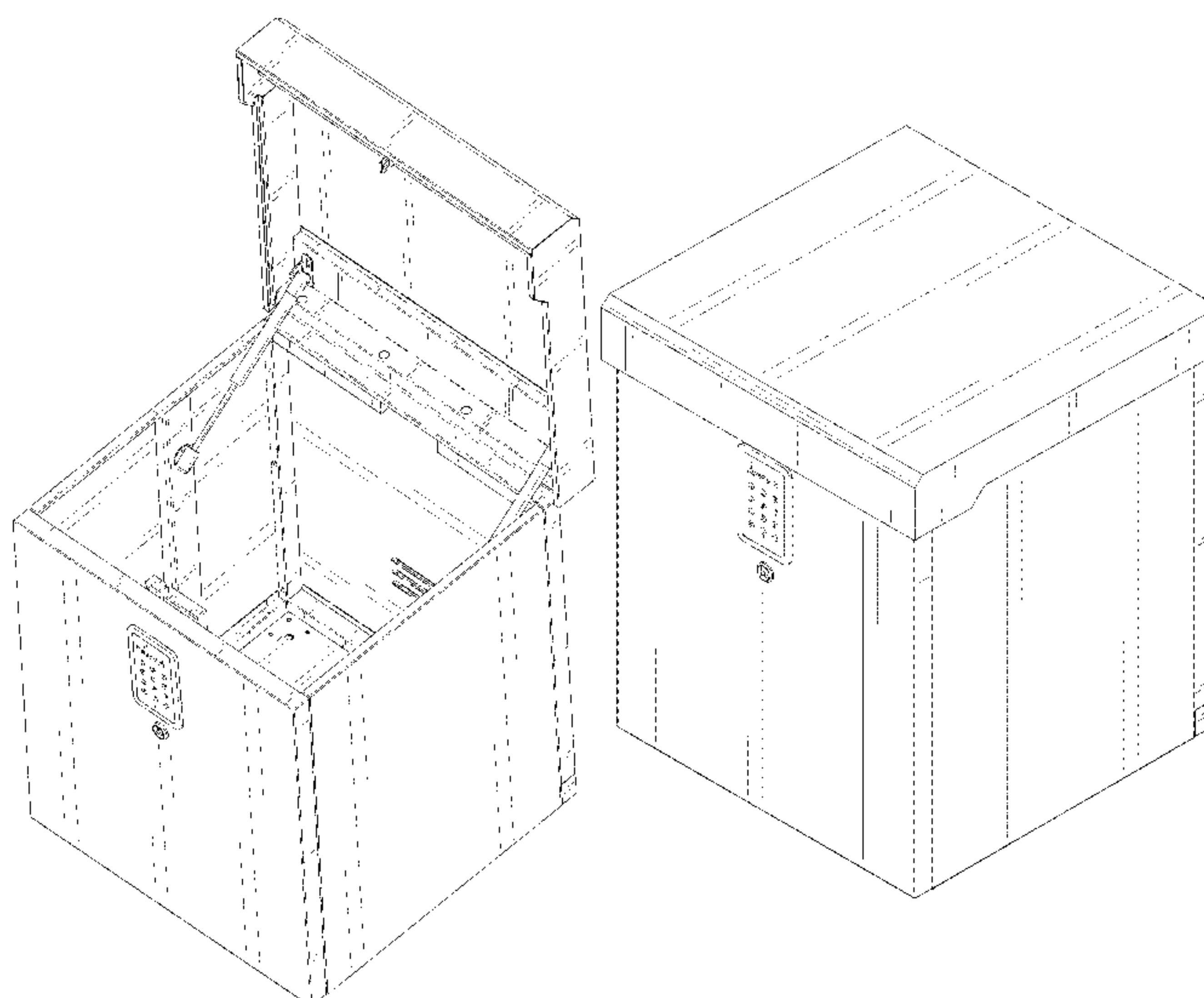
DESCRIPTION

FIG. 1 is a perspective view of a secured container, showing my new design, with the lid in an open position.
FIG. 2 is a perspective view of FIG. 1, with the lid in a closed position.
FIG. 3 is a front elevation view of FIG. 1.
FIG. 4 is a back elevation view of FIG. 1.
FIG. 5 is a left side elevation view of FIG. 1.
FIG. 6 is a right side elevation view of FIG. 1.
FIG. 7 is a top plan view of FIG. 1; and,
FIG. 8 is a bottom plan view of FIG. 1.
The broken lines shown in the drawings represent portions of the secured container that form no part of the claimed design.

(56) **References Cited**
U.S. PATENT DOCUMENTS

2,626,025 A * 1/1953 Sherman A45C 5/04
190/37
D234,704 S * 4/1975 Franz D99/28
D360,736 S * 7/1995 Bartholomew D99/28
5,755,180 A * 5/1998 Smith A01K 13/00
119/165

1 Claim, 8 Drawing Sheets



(56)

References Cited

U.S. PATENT DOCUMENTS

D574,124 S *	7/2008	Huber	D99/28														
D578,819 S *	10/2008	Perella	D3/294														
D584,511 S *	1/2009	Decarlo	D3/322														
D620,675 S *	7/2010	Doettling	D99/28														
D624,275 S *	9/2010	Min	D99/28														
D668,047 S *	10/2012	Cenzano	D3/272														
D677,463 S *	3/2013	Cenzano	D3/272														
D684,768 S *	6/2013	Cenzano	D3/272														
8,695,386 B2	4/2014	Schulz et al.																
D719,315 S *	12/2014	Berger	D99/28														
D731,739 S *	6/2015	Hine	D99/28														
D732,264 S *	6/2015	Hine	D99/28														
D748,365 S *	1/2016	Nelson	D99/28														
9,327,887 B2	5/2016	Farentinos et al.																
9,371,681 B2	6/2016	Tompkins																
D800,989 S *	10/2017	Lucido	D99/28														
D803,508 S *	11/2017	Horn	D99/28														
10,132,113 B2	11/2018	Stevenson																
D860,579 S *	9/2019	McCabe	D99/28														
D861,342 S *	10/2019	DeCarlo	D3/294														
					D864,566 S *	10/2019	DeCarlo	D3/279									
									D866,913 S *	11/2019	Xu	D99/28					
														2003/0011466 A1*	1/2003	Samuel	A45C 13/24
																		340/5.73

* cited by examiner

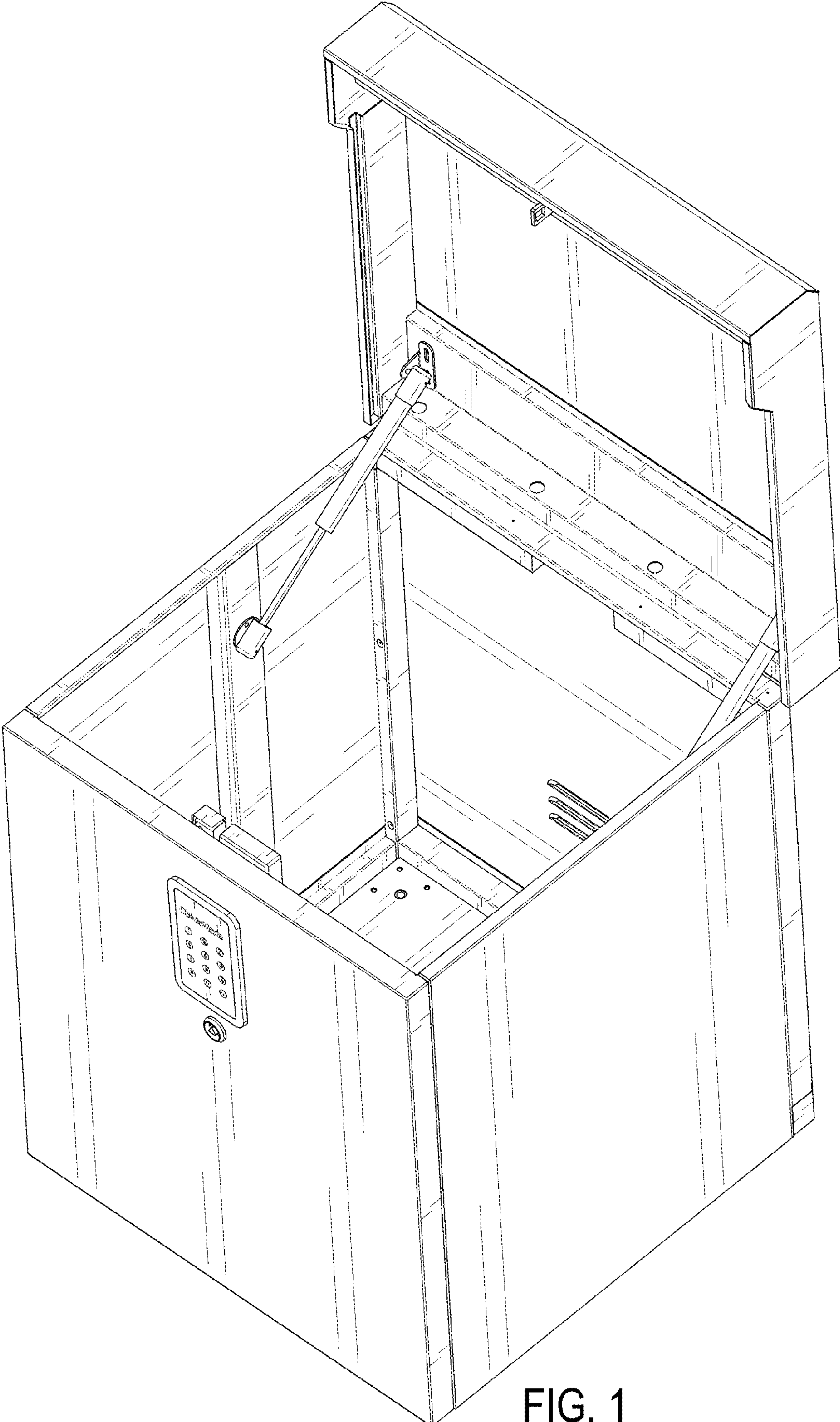


FIG. 1

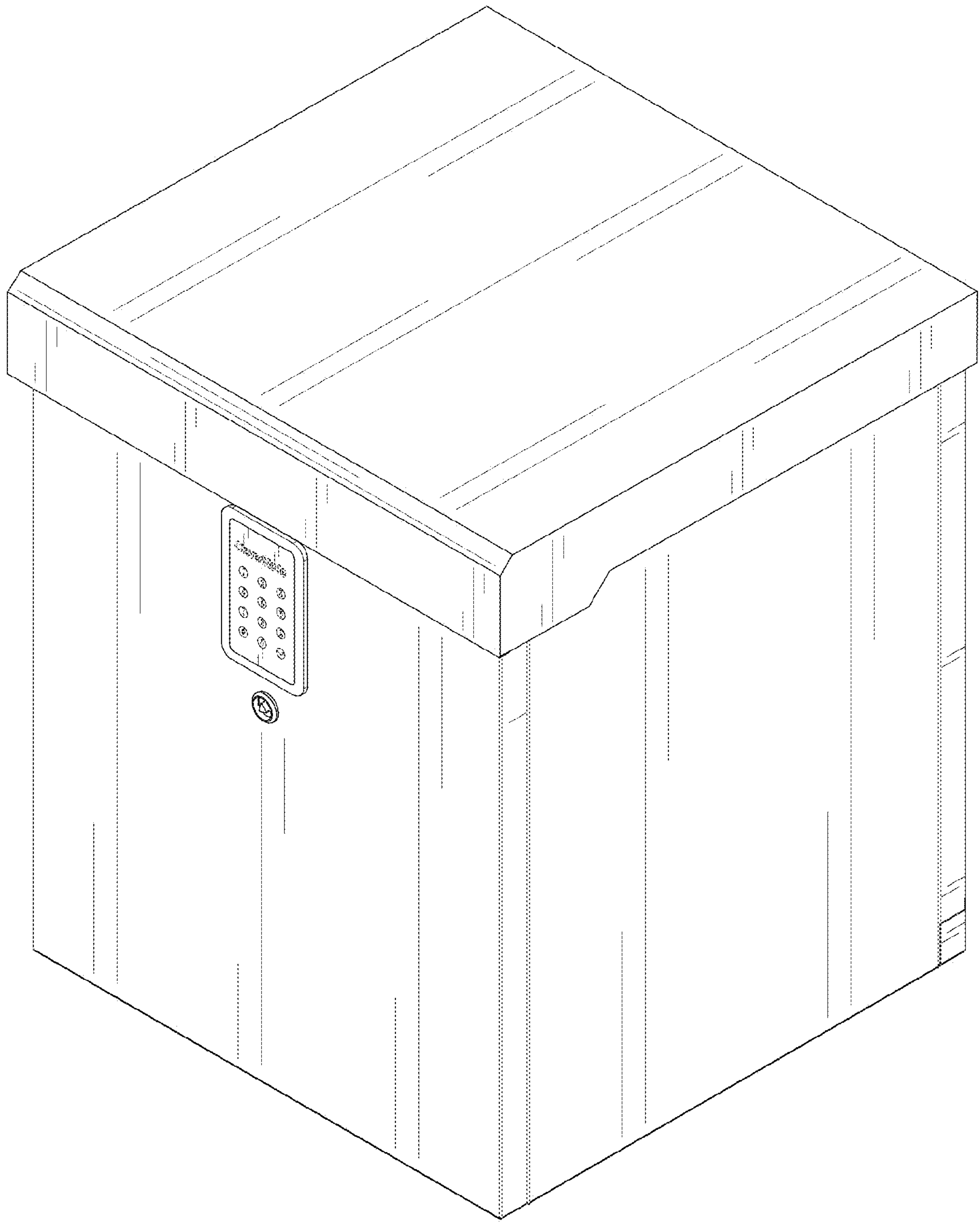


FIG. 2

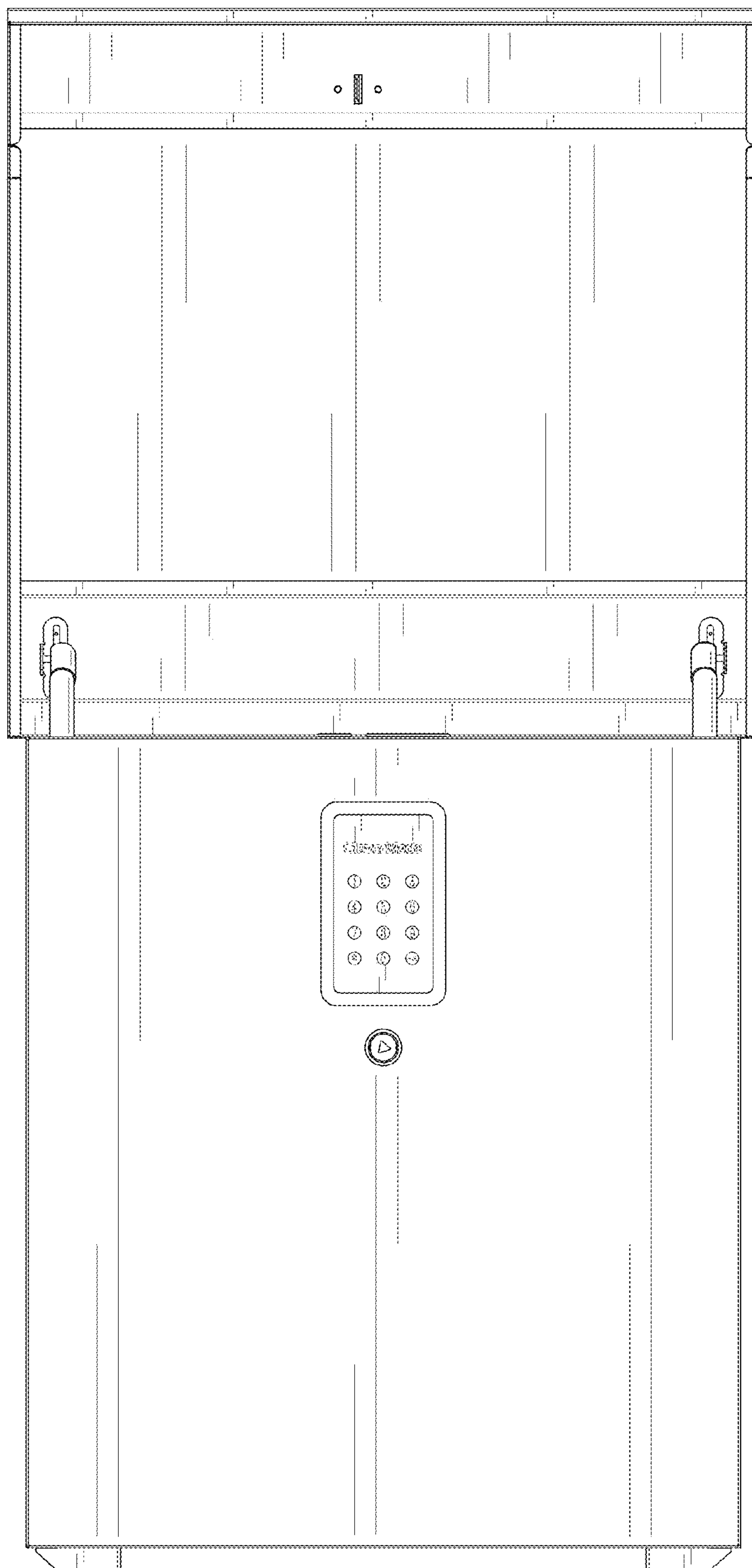


FIG. 3

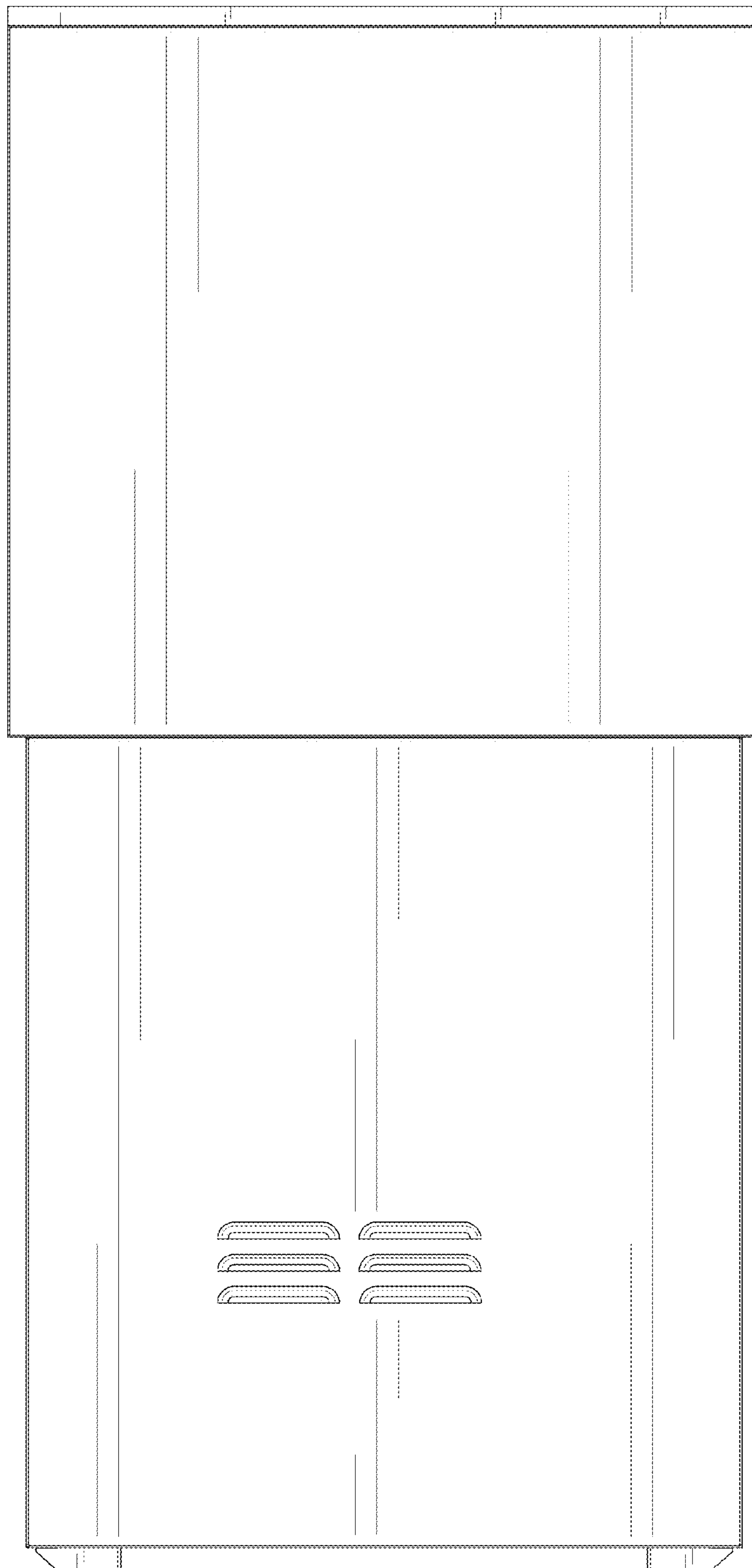


FIG. 4

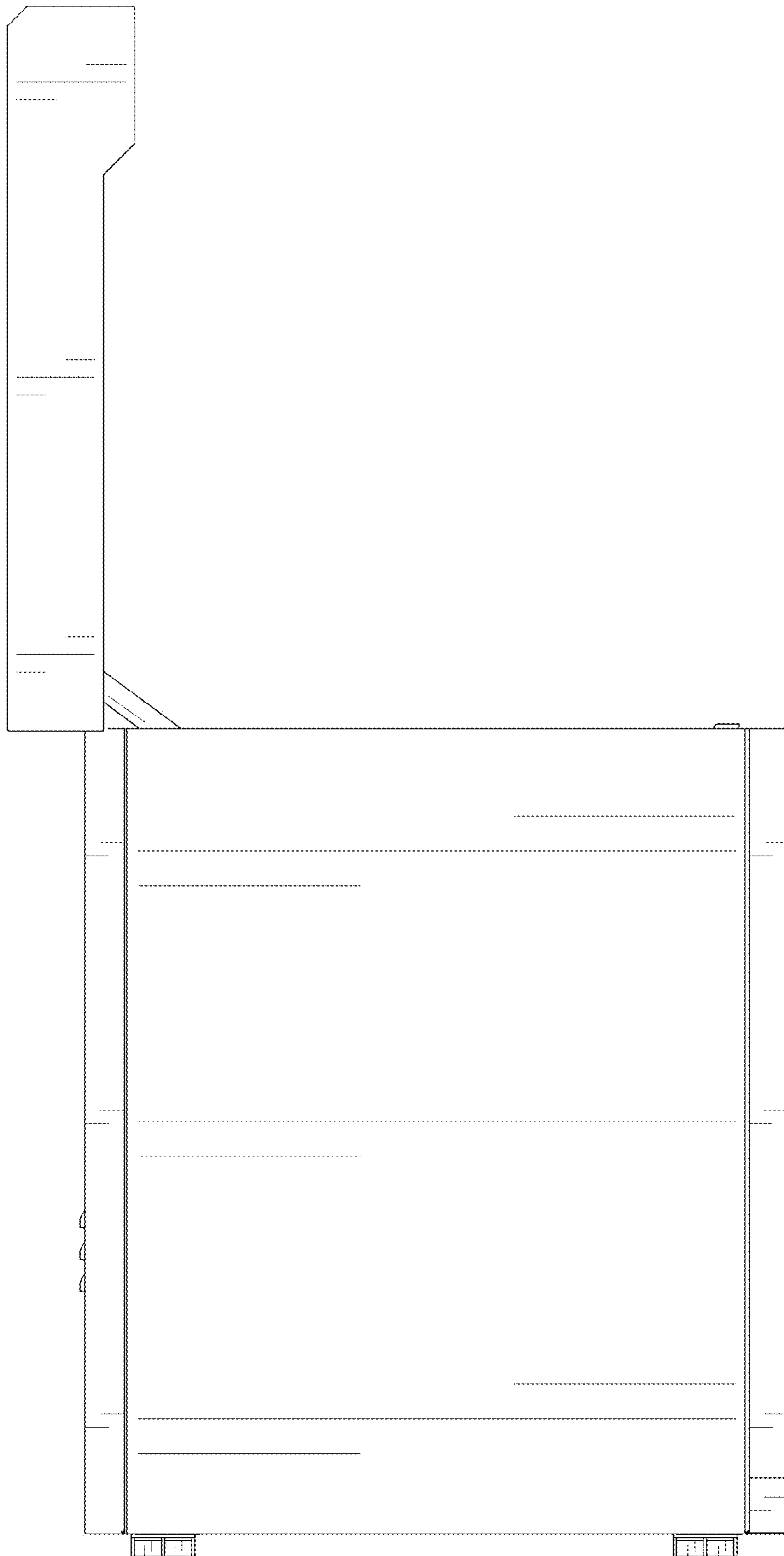


FIG. 5

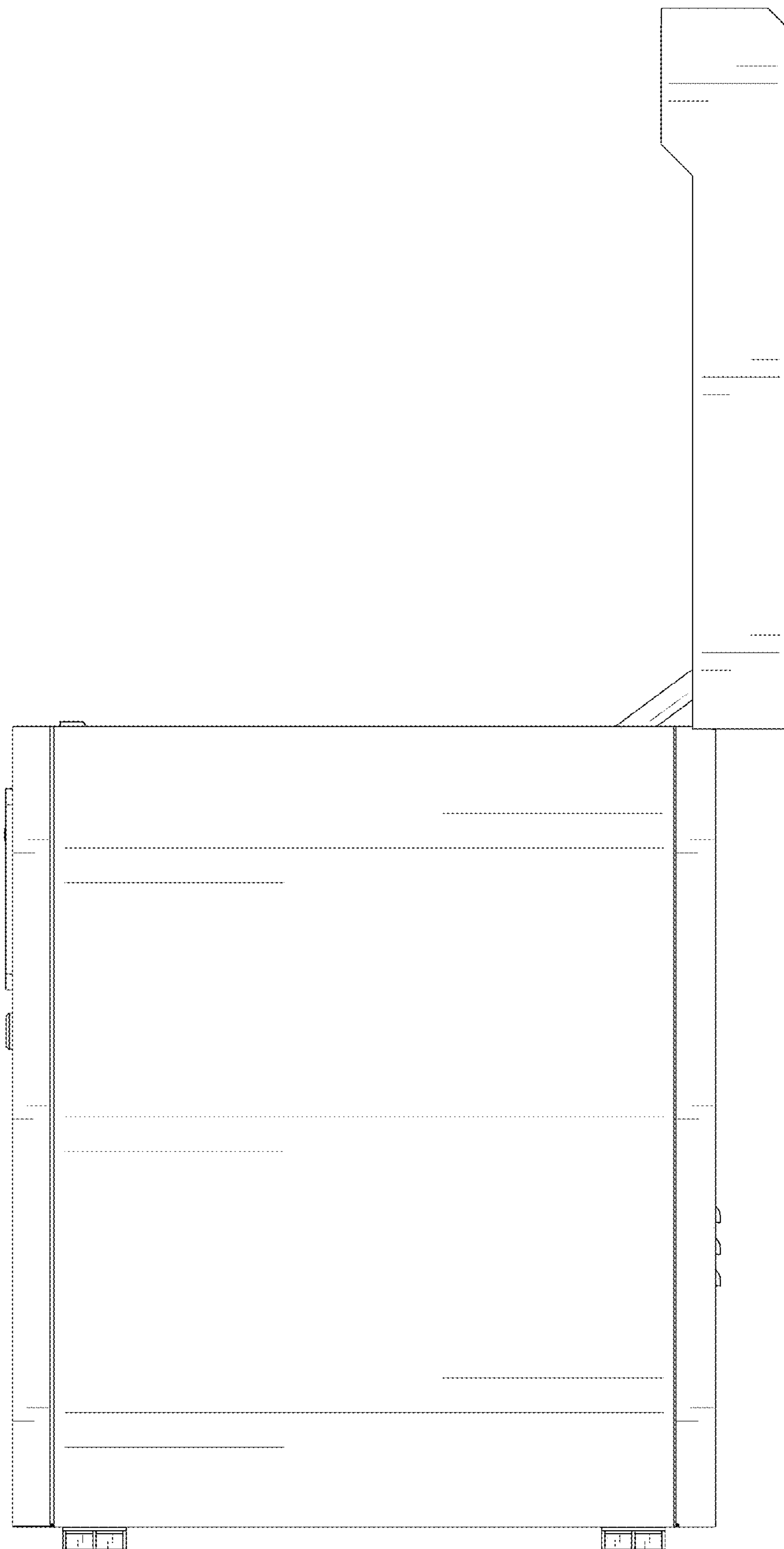


FIG. 6

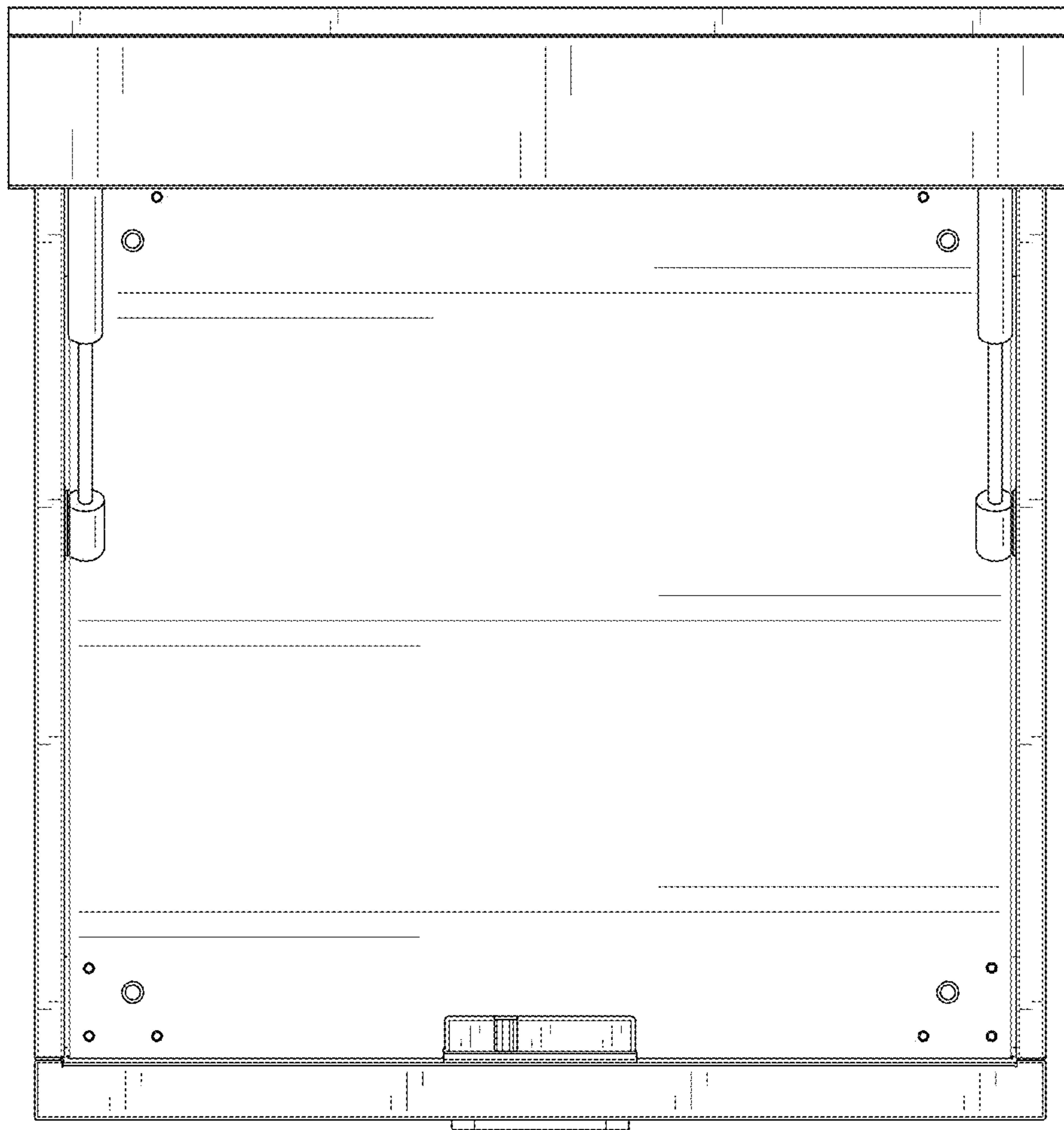


FIG. 7

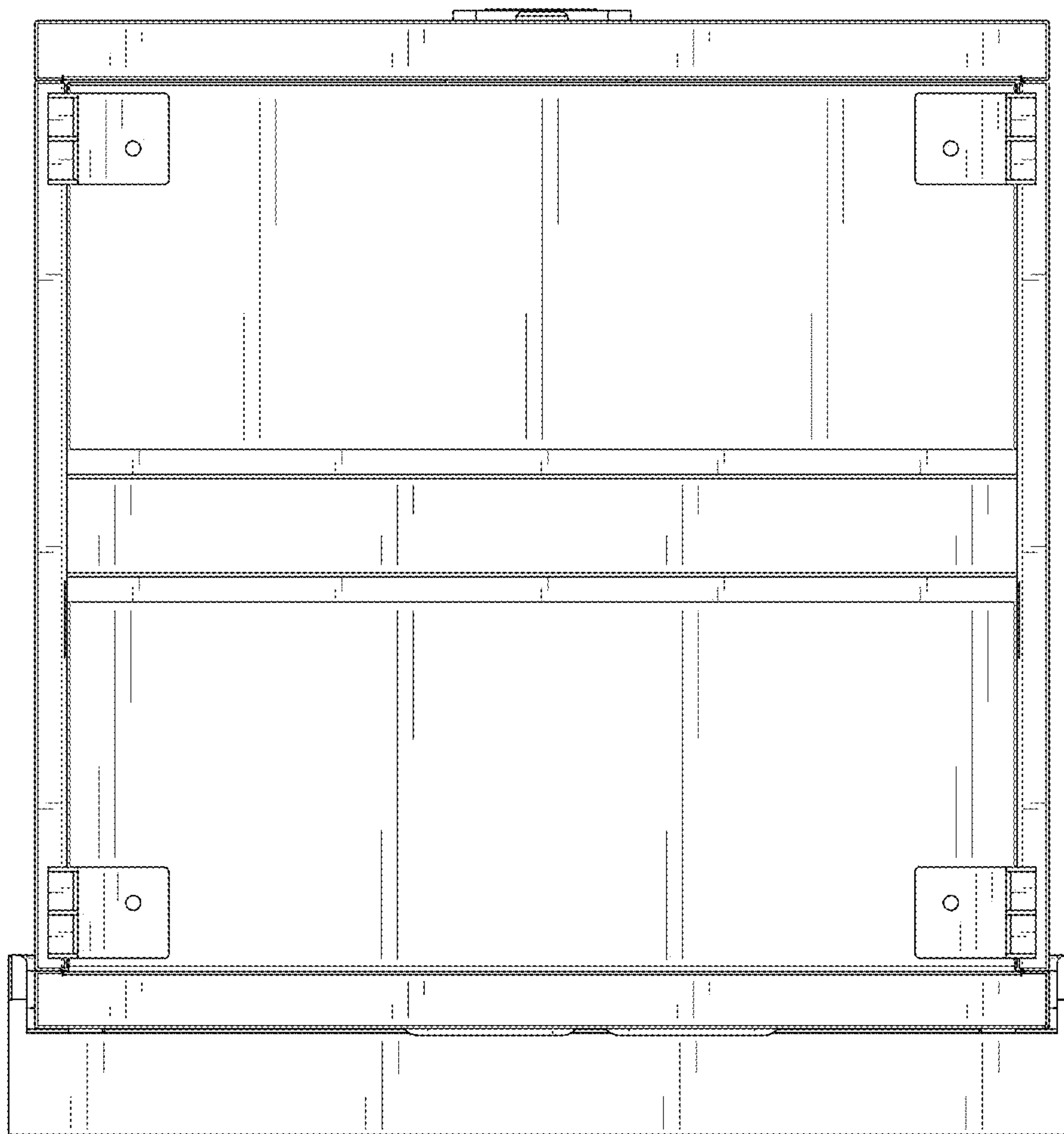


FIG. 8