



US00D880102S

(12) **United States Design Patent**
Quinn

(10) **Patent No.:** **US D880,102 S**
(45) **Date of Patent:** **** Mar. 31, 2020**

(54) **SECURED CONTAINER**
(71) Applicant: **CleverMade, LLC**, Carlsbad, CA (US)
(72) Inventor: **Thomas Quinn**, Carlsbad, CA (US)
(73) Assignee: **CleverMade, LLC**, Carlsbad, CA (US)
(**) Term: **15 Years**
(21) Appl. No.: **29/704,612**

5,845,843 A * 12/1998 Kuller A47G 29/12
232/38
D474,596 S * 5/2003 Osiecki D3/273
D490,206 S * 5/2004 Perella D99/28
D496,791 S * 10/2004 Perella D3/263
D501,083 S * 1/2005 Perella D3/276
D503,024 S * 3/2005 Perella D99/28
D504,990 S * 5/2005 Perella D99/28
D561,462 S * 2/2008 Perella D3/206
D561,994 S * 2/2008 Peart D3/291
D571,524 S * 6/2008 Kang D99/28

(Continued)

(22) Filed: **Sep. 5, 2019**
(51) **LOC (12) Cl.** **99-00**
(52) **U.S. Cl.**
USPC **D99/28**

FOREIGN PATENT DOCUMENTS

AU 2013203121 B2 3/2016
CN 109896150 A 6/2019
WO 2018224664 A1 12/2018

(58) **Field of Classification Search**
USPC D99/28, 34, 35, 36, 43, 99; D3/902, 905,
D3/201, 272, 273; D18/3.1, 3.3, 12.1
CPC A45C 1/12; A45C 2001/125; A45C
2001/102; A45C 2001/104; A45C
2001/006; A45C 2001/003; A45C
2001/105; A45C 2001/107; E05G 1/00;
E05G 1/005; E05G 1/024; E05G 1/026;
E05G 5/00; E05G 7/00; E05G 7/001;
E05G 2700/00; E05G 2700/02; B63C
7/30; G07D 9/00; G07D 9/002; G07D
9/004; G07D 9/006; G07D 9/008; G07D
9/02; G07D 9/04; G07D 9/06; G07D
9/065; G07D 11/00; G07D 11/0021;
G07D 13/00; G07D 2201/00; G07D
2211/00; G07F 9/06; G07F 9/08
See application file for complete search history.

Primary Examiner — Elizabeth J Oswecki

(74) *Attorney, Agent, or Firm* — Ryan Dean; Umberg
Zipser LLP

(57) **CLAIM**

The ornamental design for a secured container, as shown and described.

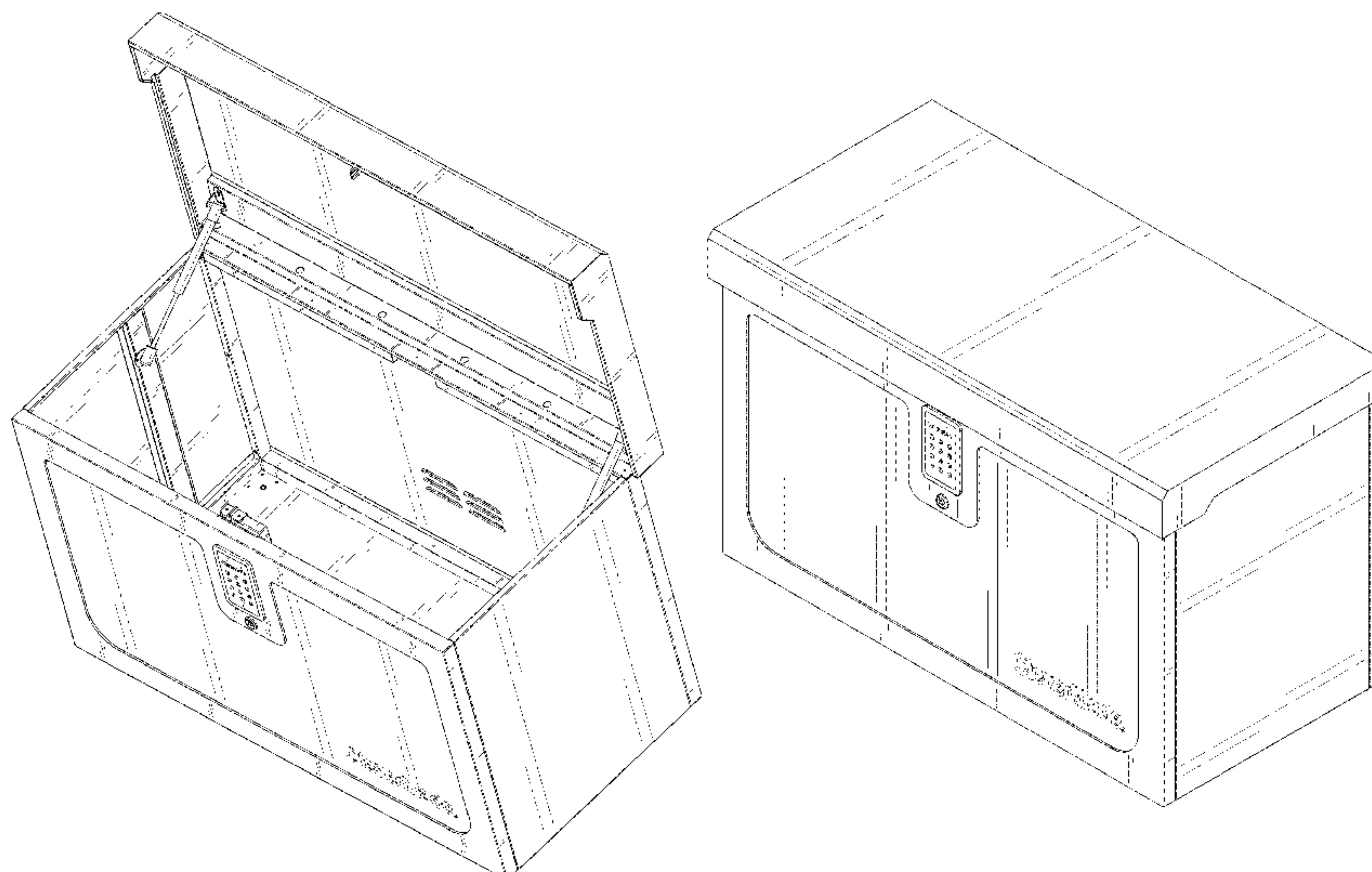
DESCRIPTION

FIG. 1 is a perspective view of a secured container, showing my new design, with the lid in an open position.
FIG. 2 is a perspective view of FIG. 1, with the lid in a closed position.
FIG. 3 is a front elevation view of FIG. 1.
FIG. 4 is a back elevation view of FIG. 1.
FIG. 5 is a left side elevation view of FIG. 1.
FIG. 6 is a right side elevation view of FIG. 1.
FIG. 7 is a top plan view of FIG. 1; and,
FIG. 8 is a bottom plan view of FIG. 1.
The broken lines shown in the drawings represent portions of the secured container that form no part of the claimed design.

(56) **References Cited**
U.S. PATENT DOCUMENTS

2,626,025 A * 1/1953 Sherman A45C 5/04
190/37
D234,704 S * 4/1975 Frantz D99/28
D360,736 S * 7/1995 Bartholomew D99/28
5,755,180 A * 5/1998 Smith A01K 13/00
119/165

1 Claim, 8 Drawing Sheets



(56)

References Cited

U.S. PATENT DOCUMENTS

D574,124 S * 7/2008 Huber D99/28
 D578,819 S * 10/2008 Perella D3/294
 D584,511 S * 1/2009 Decarlo D3/322
 D620,675 S * 7/2010 Doettling D99/28
 D624,275 S * 9/2010 Min D99/28
 D668,047 S * 10/2012 Cenzano D3/272
 D677,463 S * 3/2013 Cenzano D3/272
 D684,768 S * 6/2013 Cenzano D3/272
 8,695,386 B2 4/2014 Schulz et al.
 D719,315 S * 12/2014 Berger D99/28
 D731,739 S * 6/2015 Hine D99/28
 D732,264 S * 6/2015 Hine D99/28
 D748,365 S * 1/2016 Nelson D99/28
 9,327,887 B2 5/2016 Farentinos et al.
 9,371,681 B2 6/2016 Tompkins
 D800,989 S * 10/2017 Lucido D99/28
 D803,508 S * 11/2017 Horn D99/28
 10,132,113 B2 11/2018 Stevenson
 D860,579 S * 9/2019 McCabe D99/28
 D861,342 S * 10/2019 DeCarlo D3/294

D864,566 S * 10/2019 DeCarlo D3/279
 D866,913 S * 11/2019 Xu D99/28
 2003/0011466 A1* 1/2003 Samuel A45C 13/24
 340/5.73
 2007/0199938 A1 8/2007 Hoffman
 2010/0275642 A1* 11/2010 Klettner A45C 11/20
 62/457.7
 2012/0222589 A1* 9/2012 Miyashita E05G 1/005
 109/40
 2012/0272694 A1 11/2012 Abalkhail
 2012/0298018 A1* 11/2012 McCabe A45C 13/20
 109/51
 2014/0014008 A1 1/2014 Tompkins
 2014/0041558 A1* 2/2014 Lubotta E05G 1/08
 109/38
 2015/0371468 A1 12/2015 MacKin et al.
 2016/0060008 A1 3/2016 Farentinos et al.
 2018/0301004 A1 10/2018 Lee
 2019/0159620 A1 5/2019 Veon
 2019/0210538 A1 7/2019 Adrain
 2019/0239650 A1 8/2019 Nelson

* cited by examiner

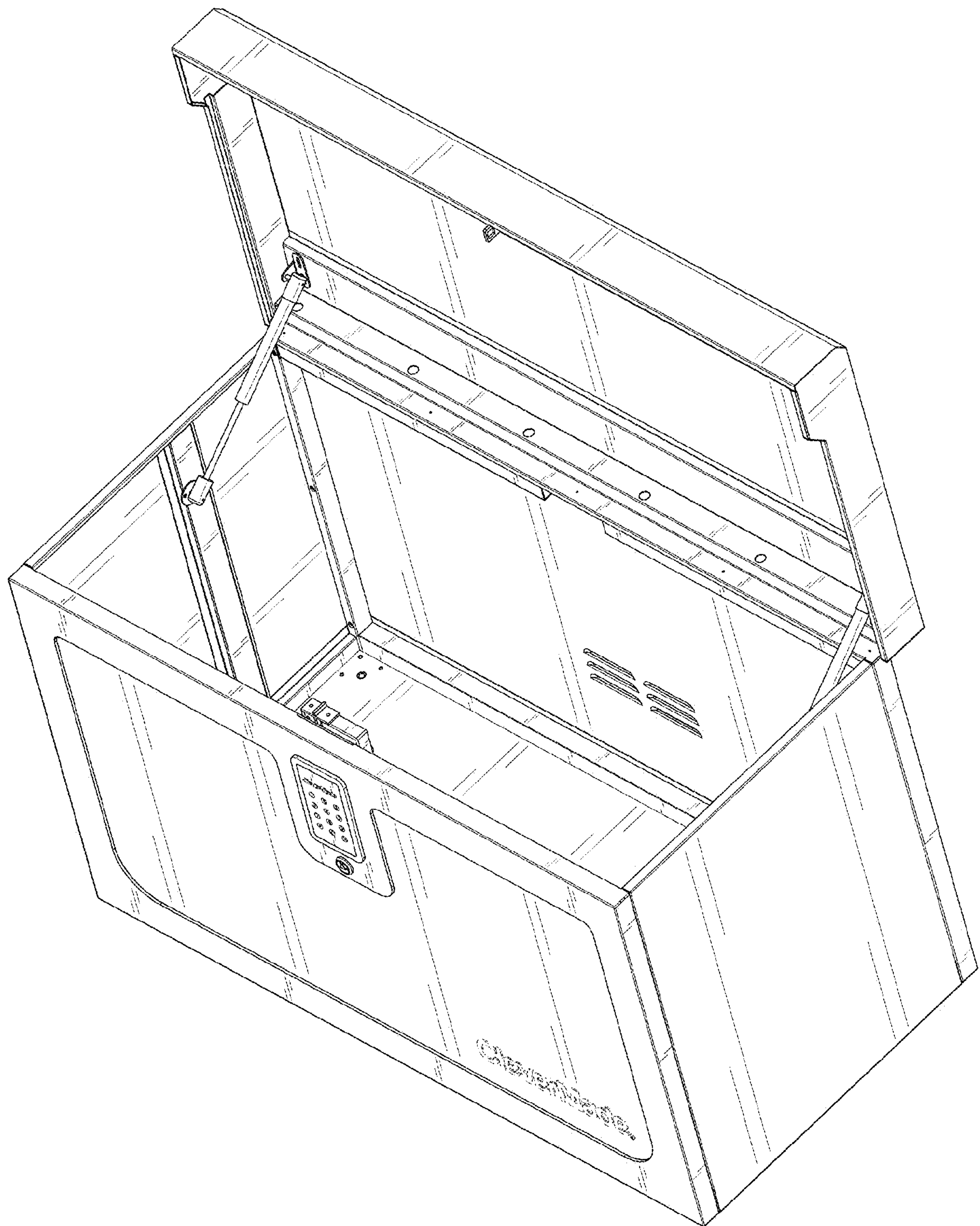


FIG. 1

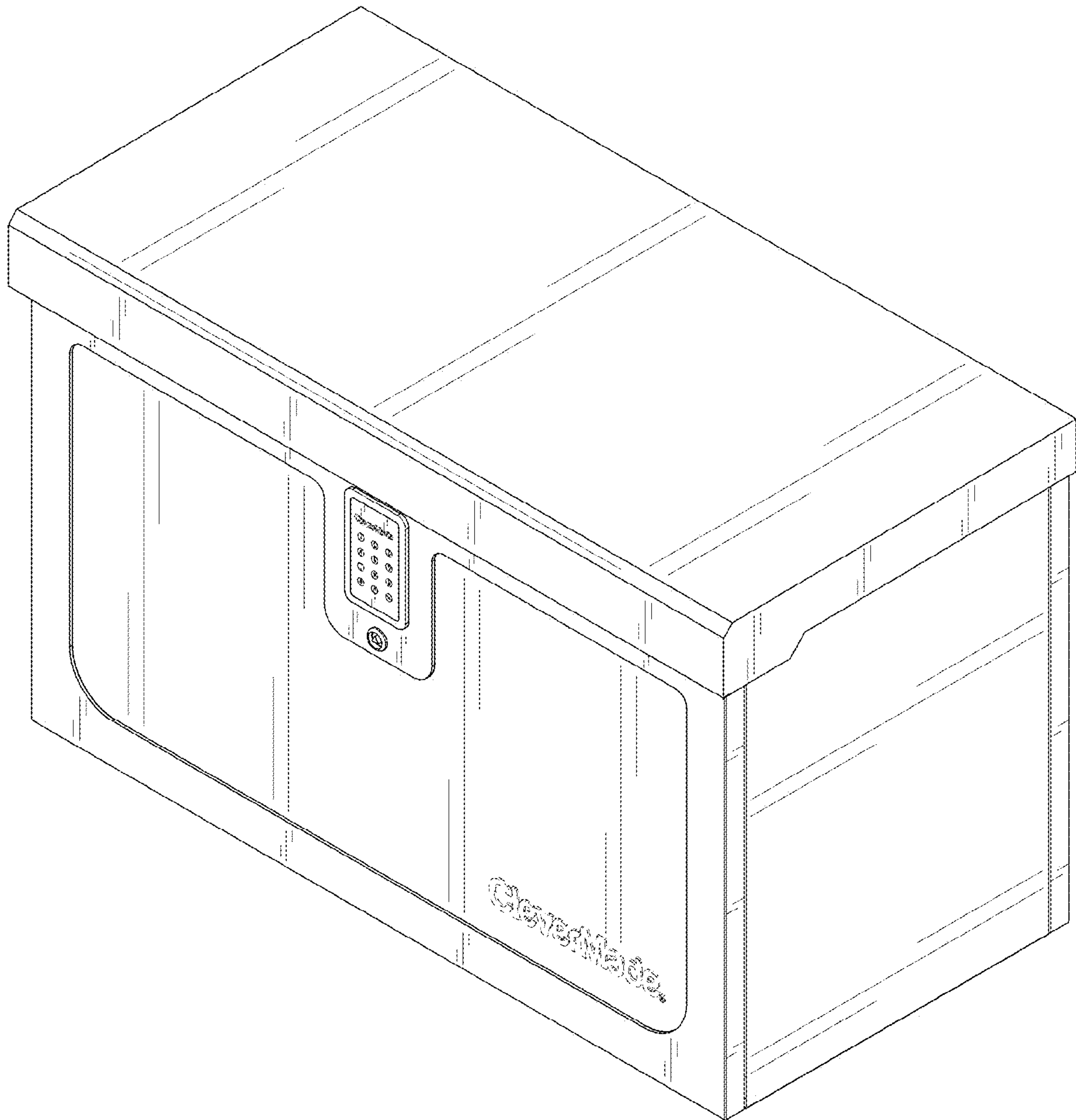


FIG. 2

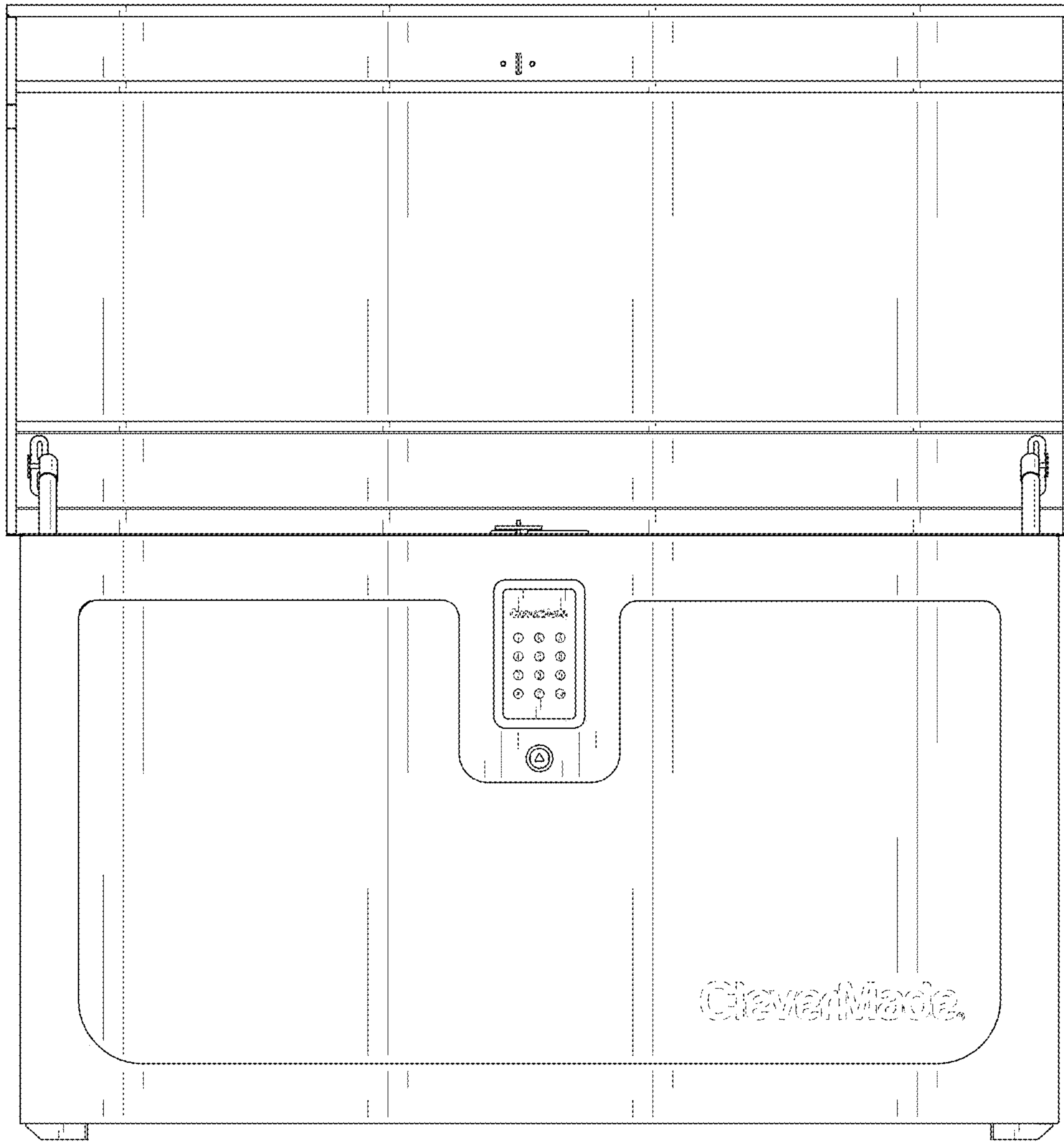


FIG. 3

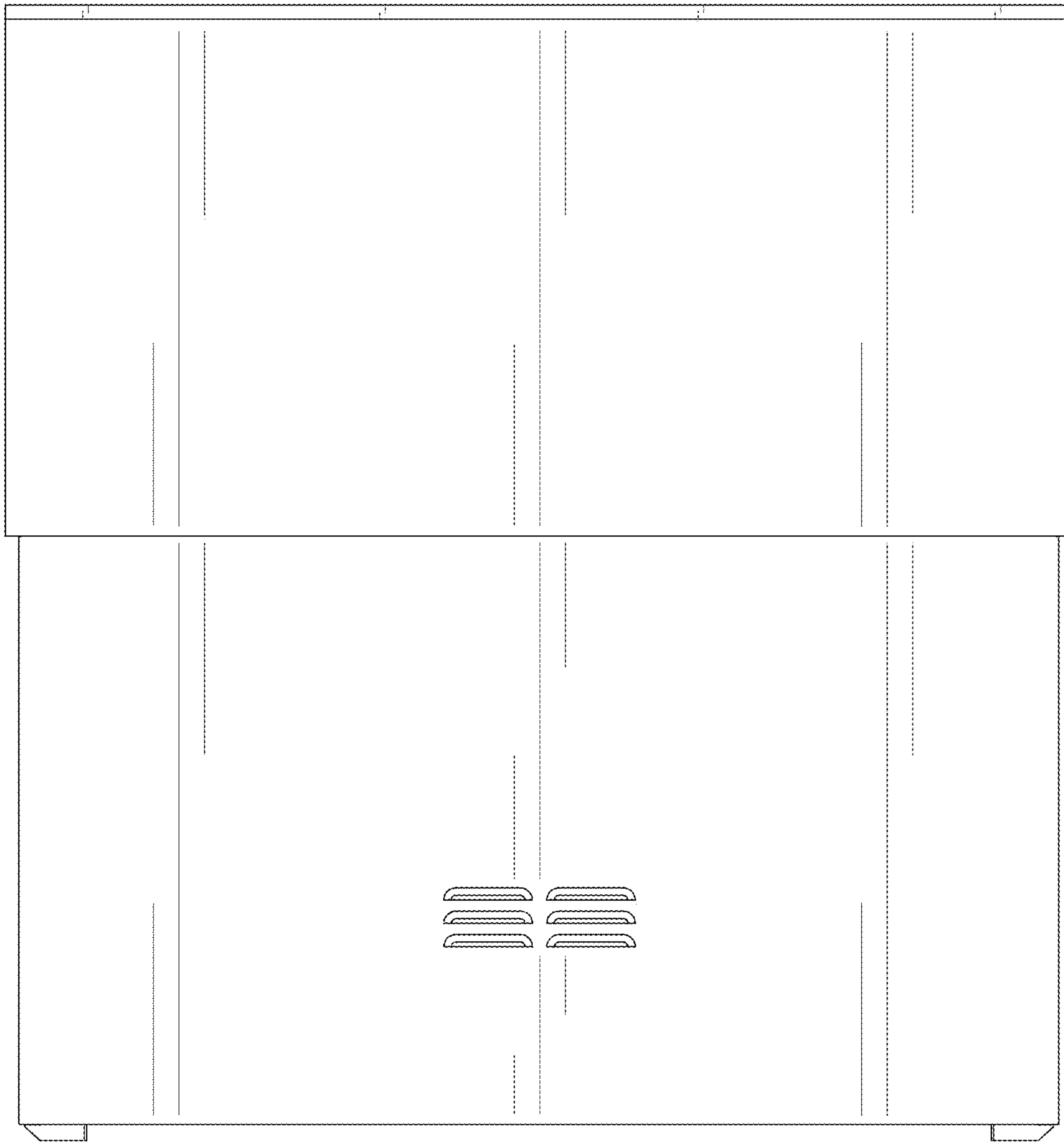


FIG. 4

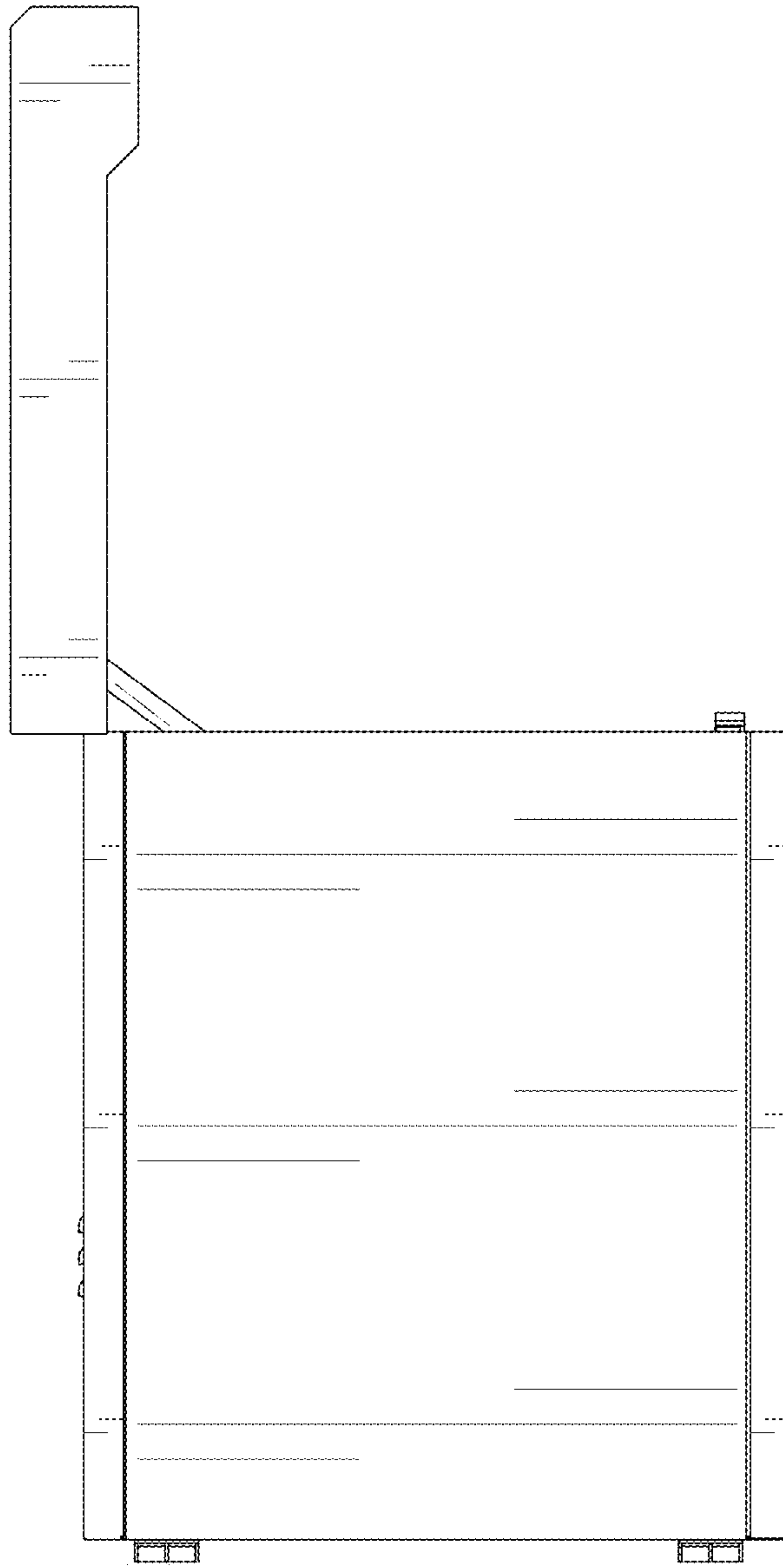


FIG. 5

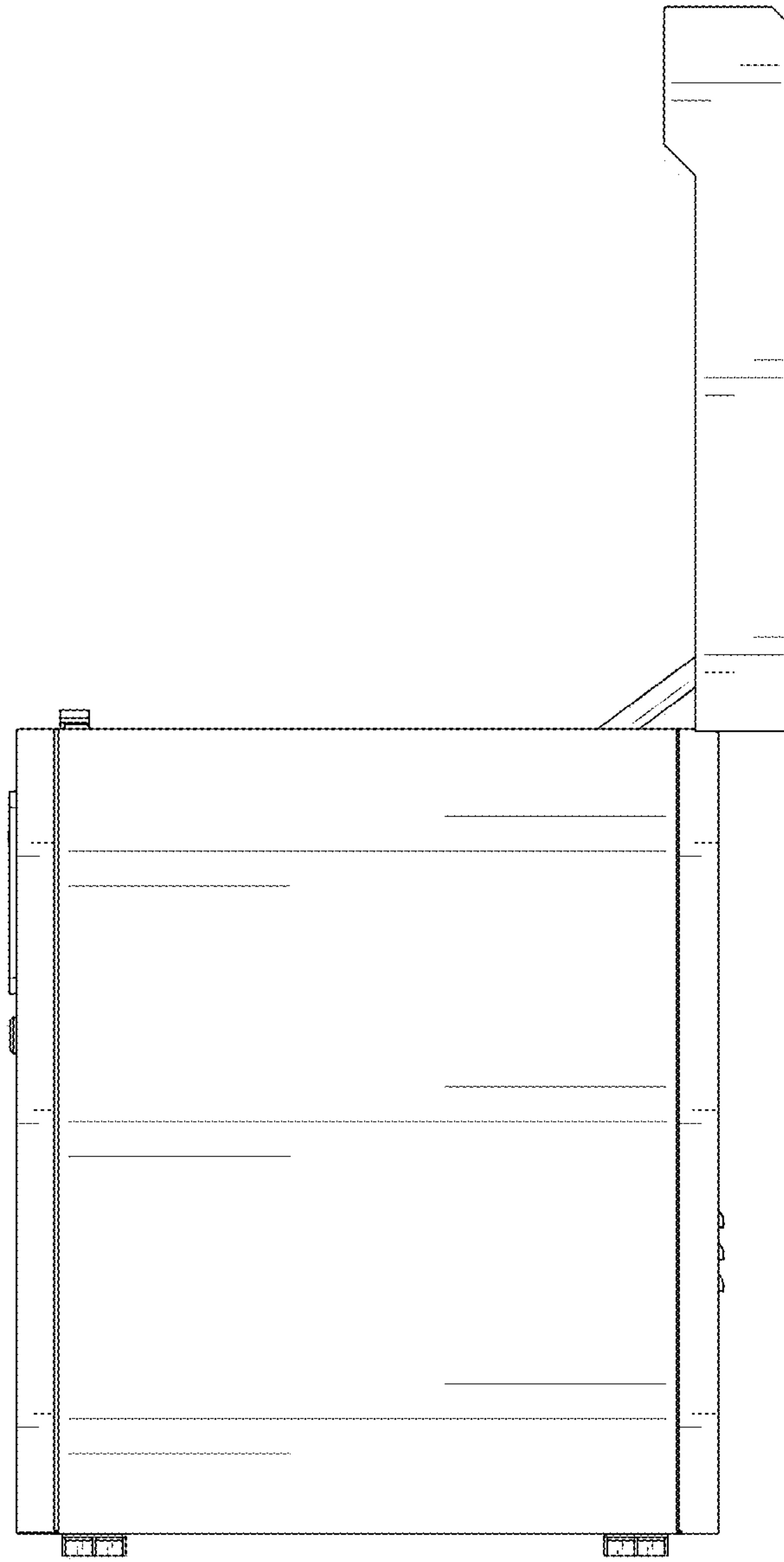


FIG. 6

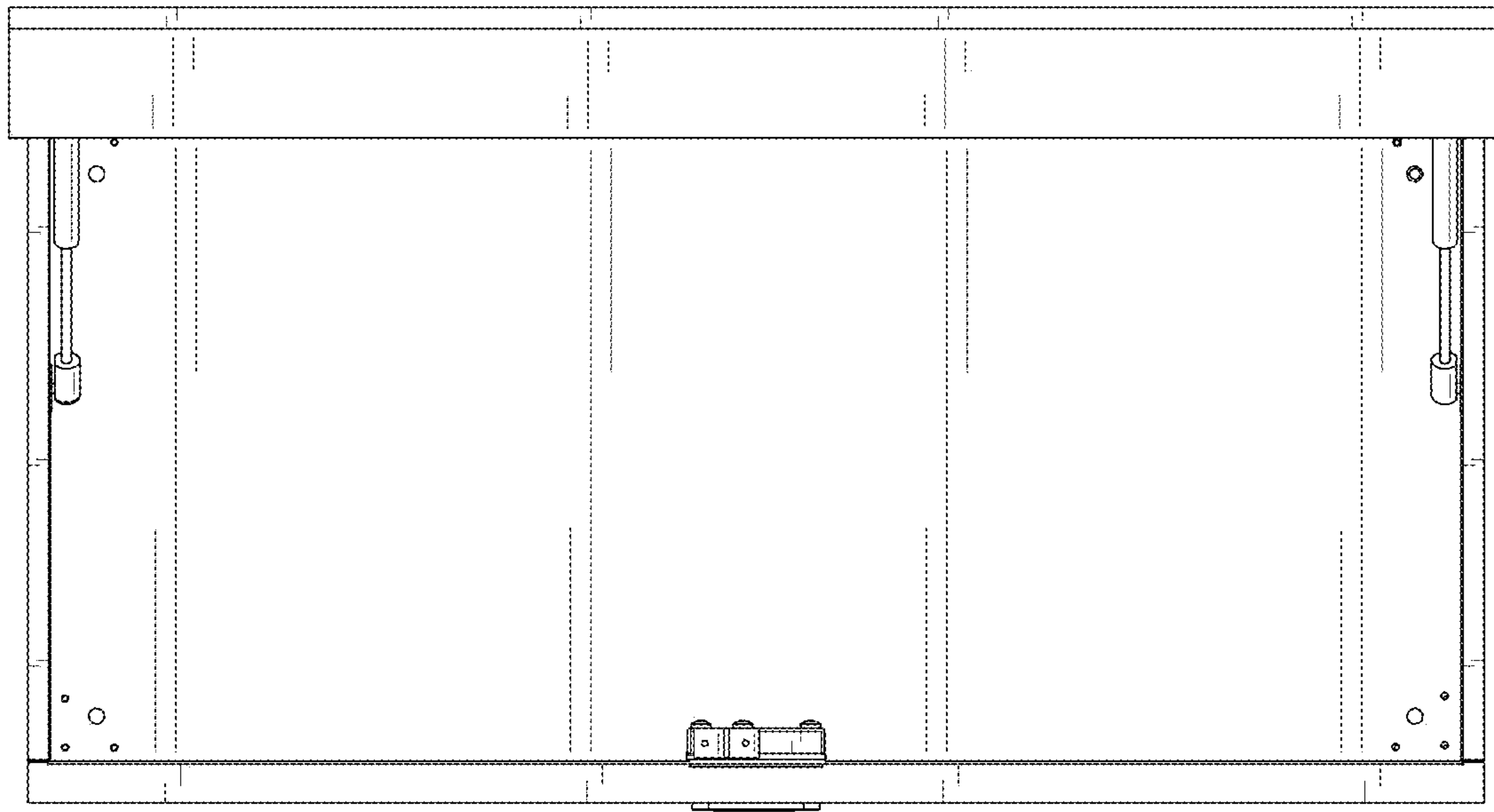


FIG. 7

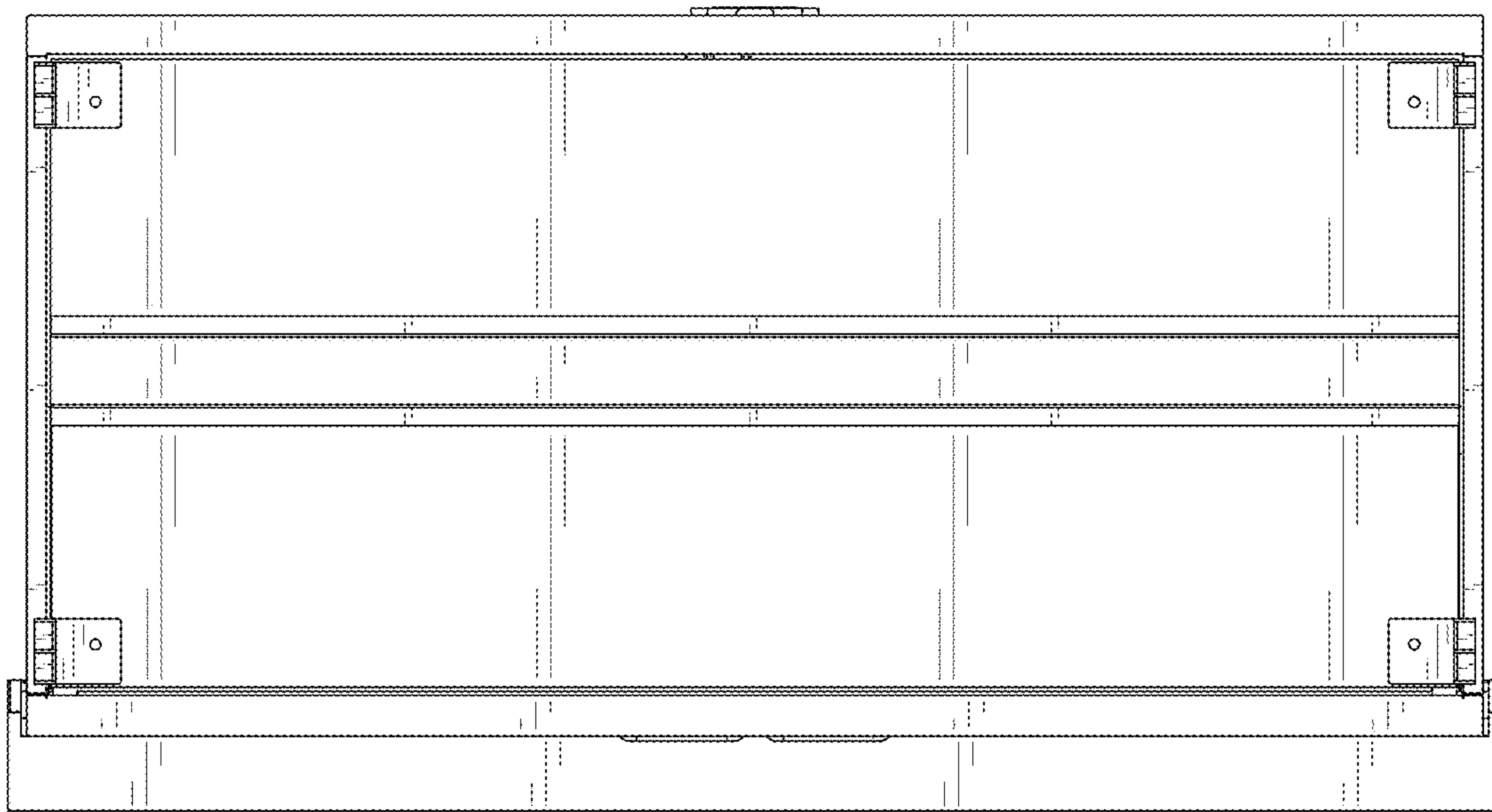


FIG. 8